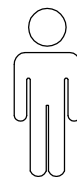
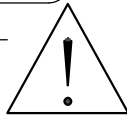
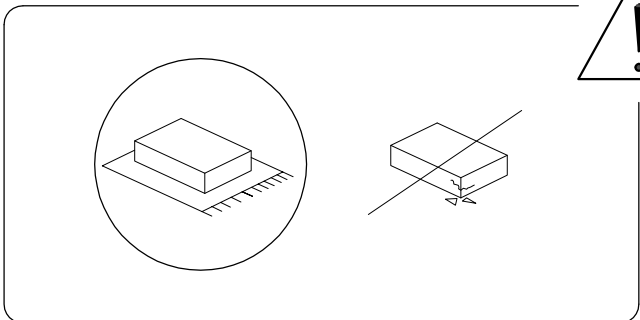
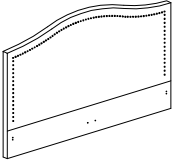
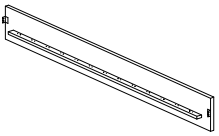
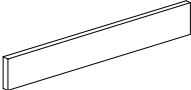
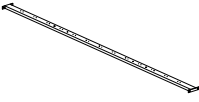
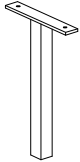
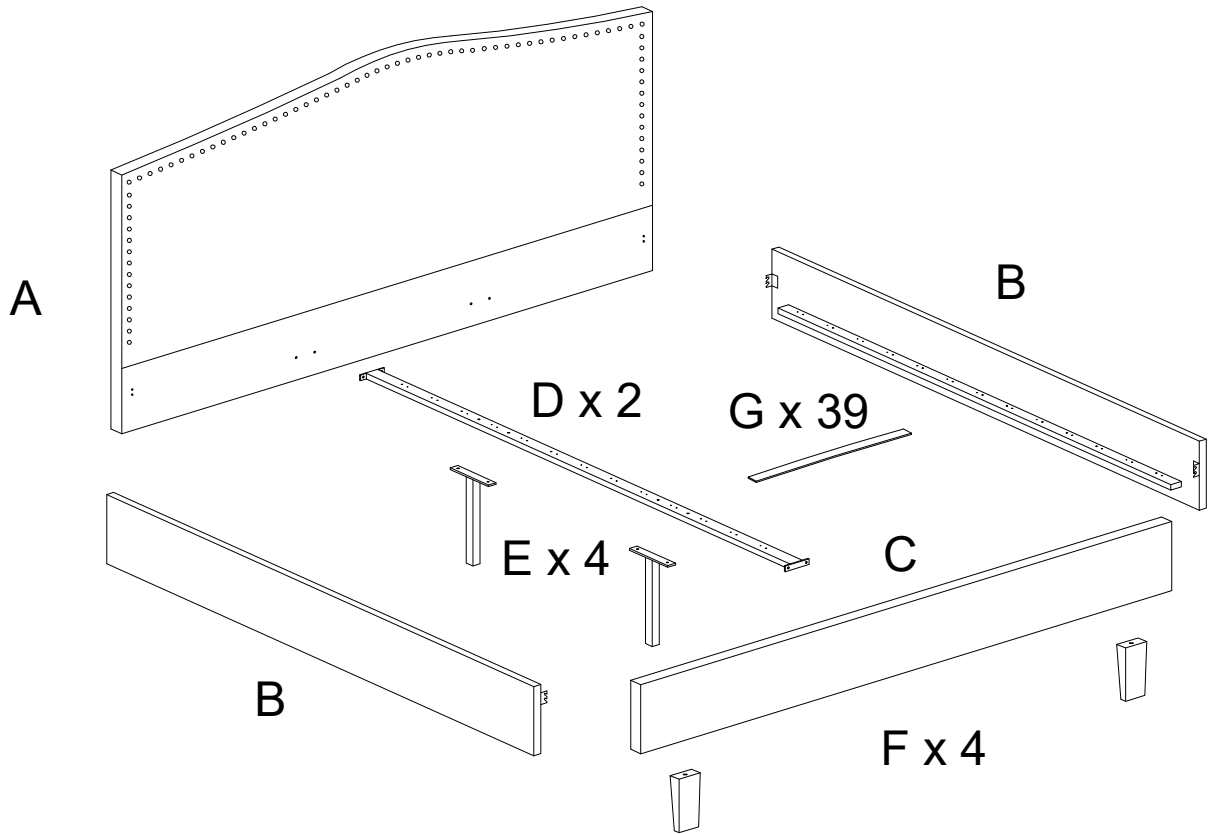





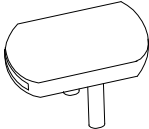
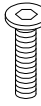
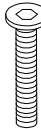
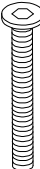
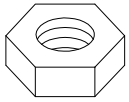
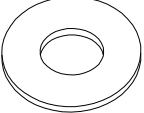
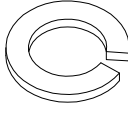

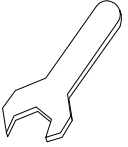
50'



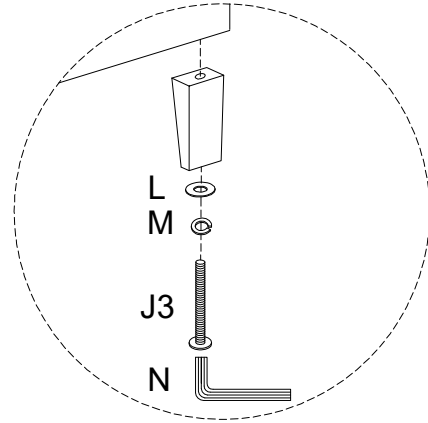
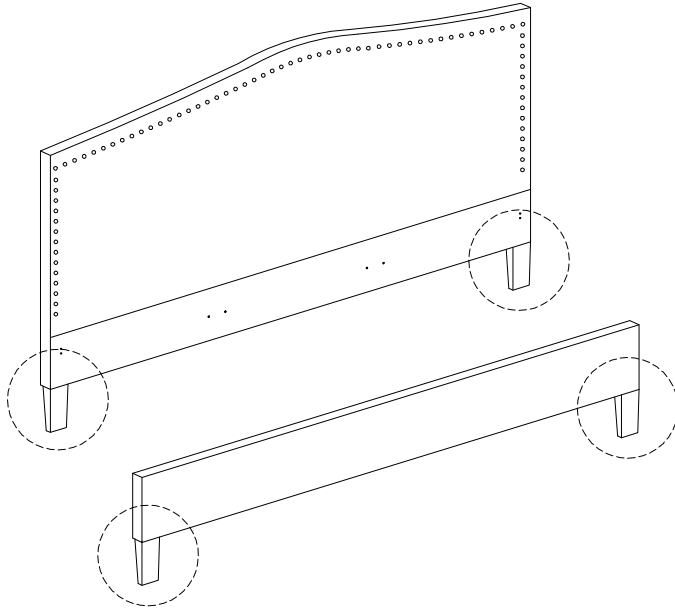
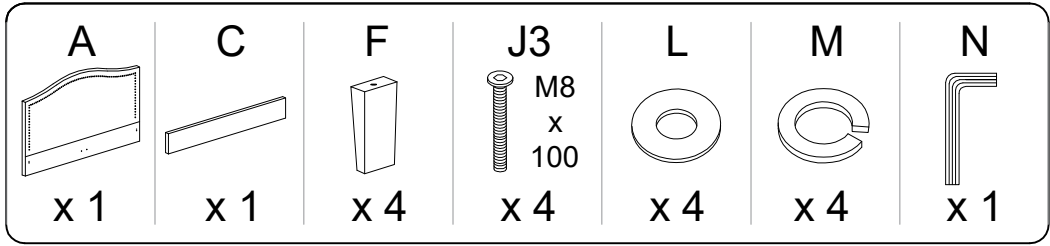
2

| | | | | |
|---|---|---|--|---|
| A | B | C | D | E |
|  |  |  |  |  |
| x 1 | x 2 | x 1 | x 2 | x 4 |

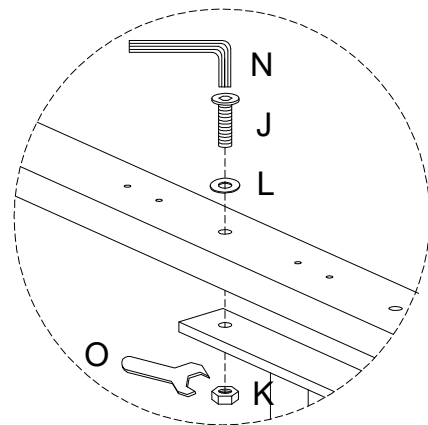
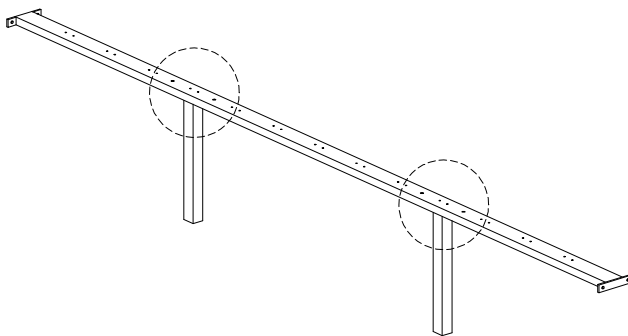
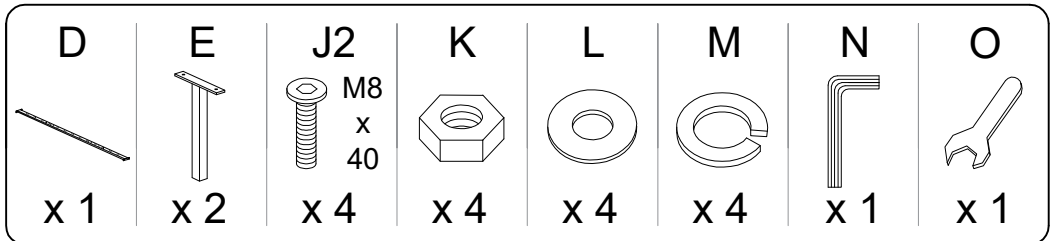


| | | | | | |
|---|---|---|---|--|--|
| F | G | H | I | J1 | J2 |
|  |  |  |  |  M8 x 30 |  M8 x 40 |
| x 4 | x 39 | x 26 | x 26 | x 8 | x 16 |
| J3 | K | L | M | N | O |
|  M8 x 100 |  |  |  |  |  |
| x 4 | x 8 | x 28 | x 28 | x 1 | x 1 |

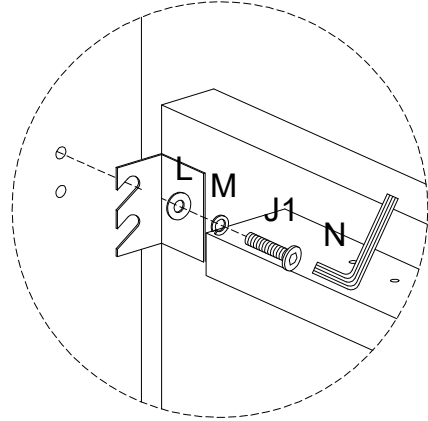
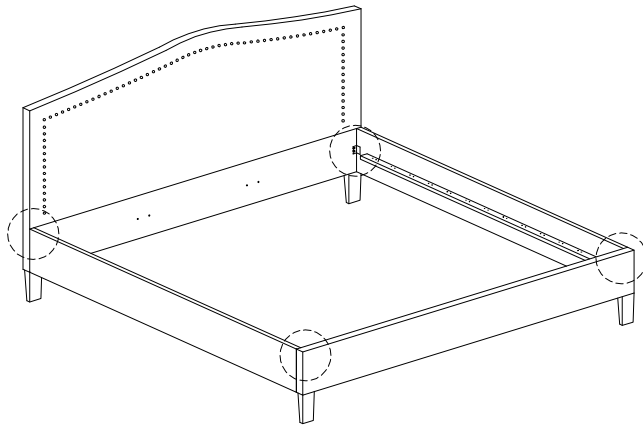
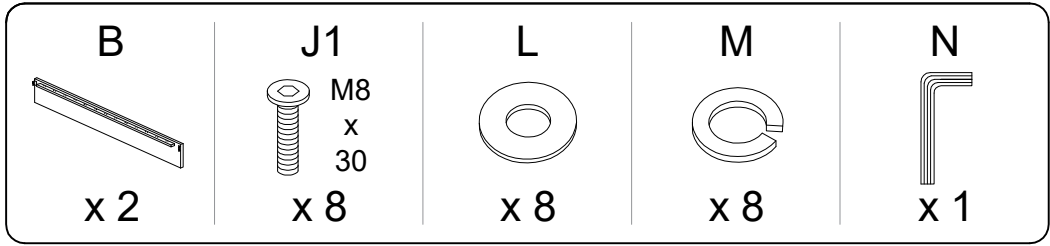
1



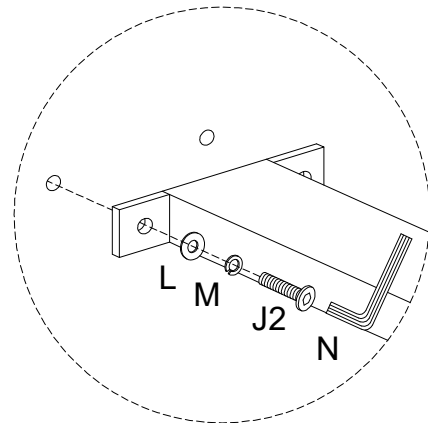
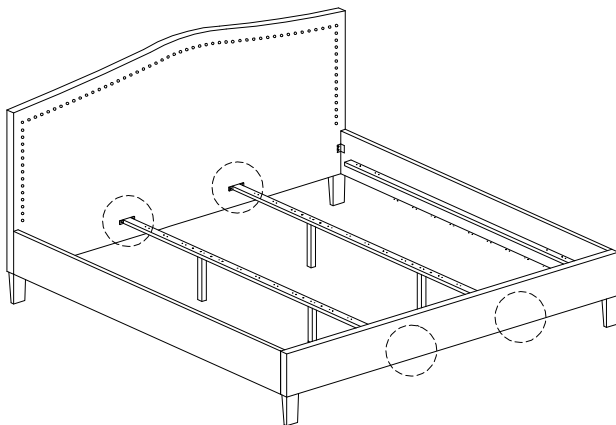
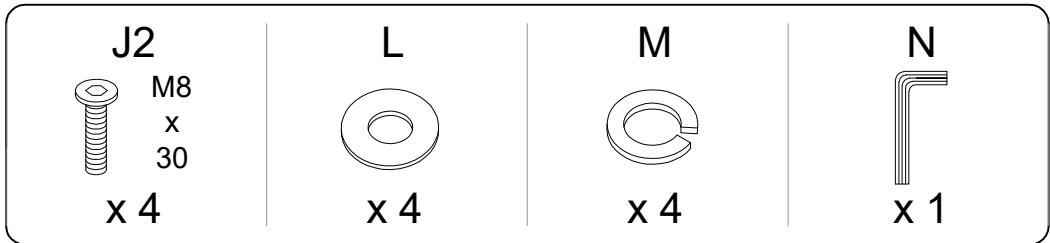
2 x 2



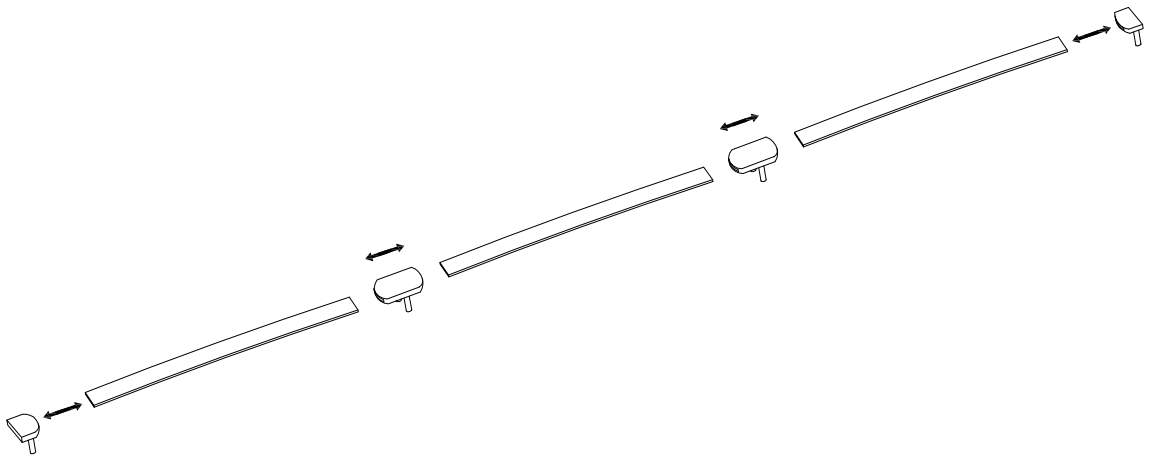
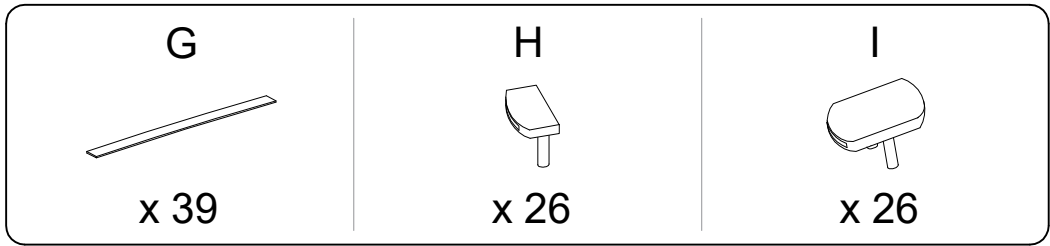
3



4 x 2



5



6

