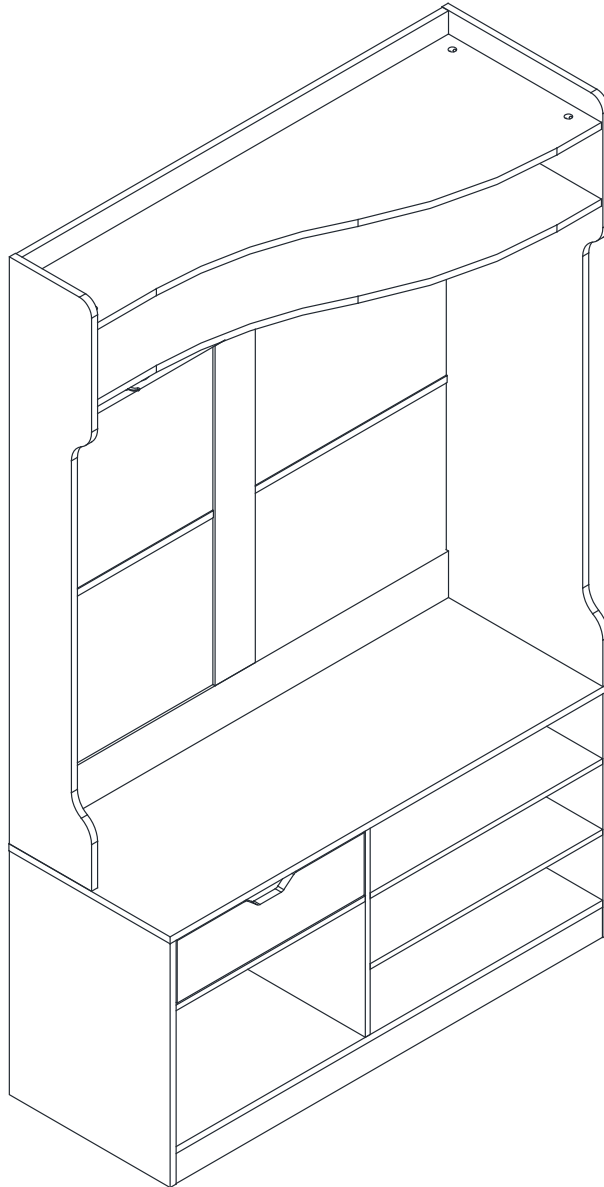


User's Manual

— HALL TREE —

The picture is reference, the actual product shal prevail



SAFETY WARNINGS

1.WARNING: HEAVY PARTS!

Lift with care.Use two people to move large panels.Dropping parts may cause injury or damage floors.

2.WARNING: USE CORRECT TOOLS ONLY!

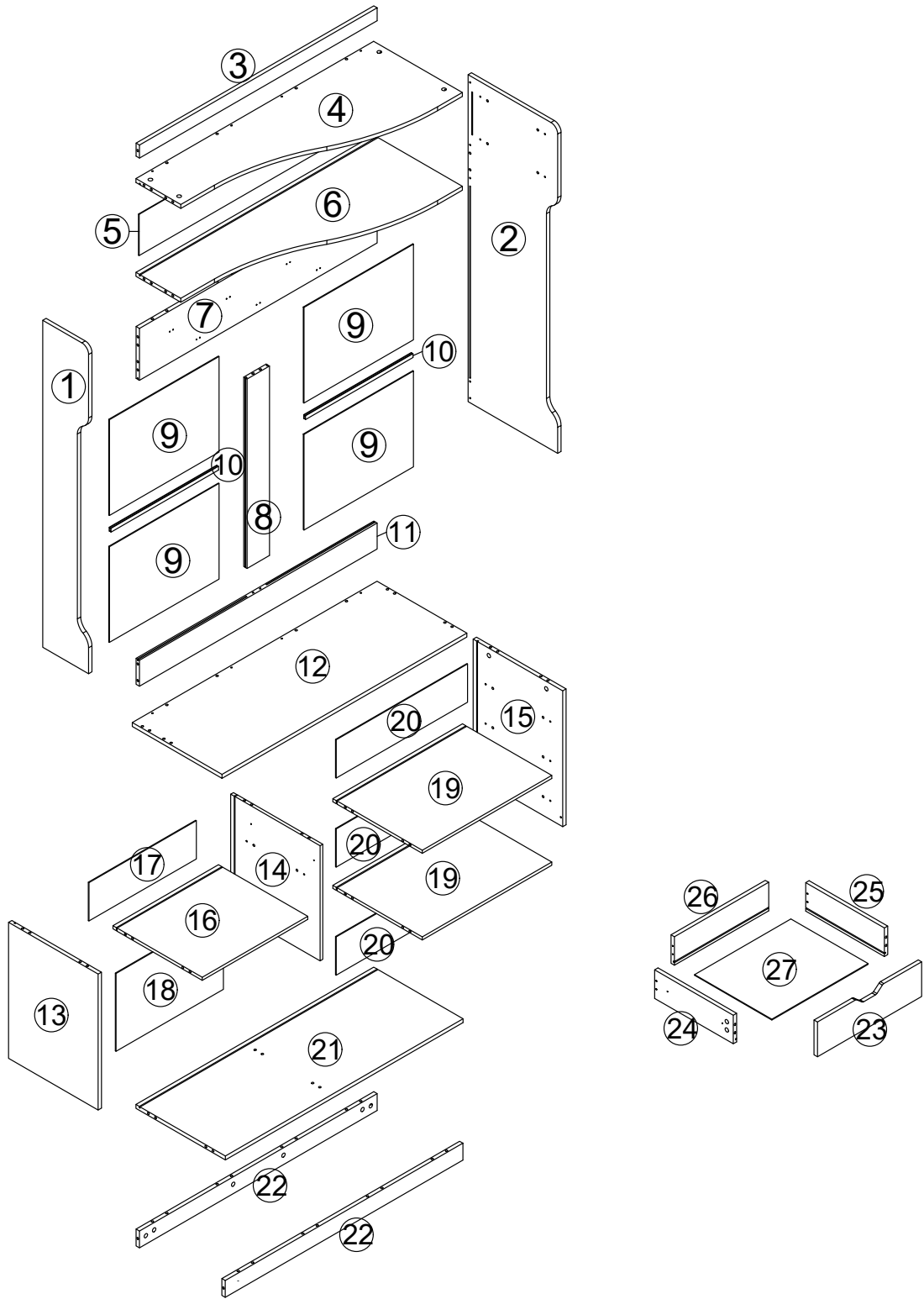
Assemble with provided tools.Do NOT use power drills/excessive force.Forcing parts may crack wood or strip hardware.

3.CAUTION: PROTECT SURFACES!

Assemble on soft,flat flooring (e.g.,carpet/blanket).Avoid dragging panels to prevent scratches.

4.WARNING: FOLLOW STEPS EXACTLY!

Read ALL instructions first. Skipping steps or incorrect assembly may cause instability,leading to tip-over hazards.



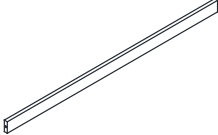
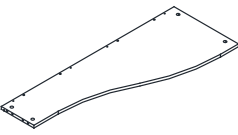
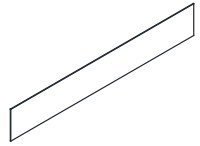
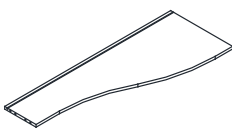
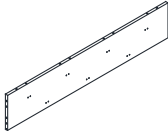

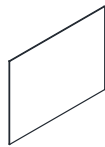
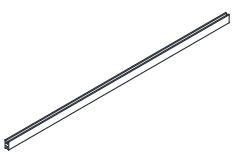

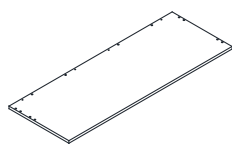
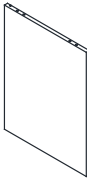
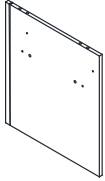
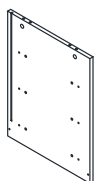
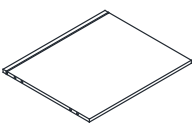
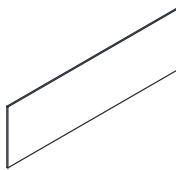
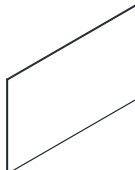
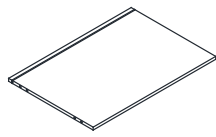
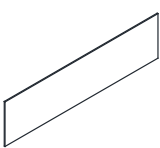
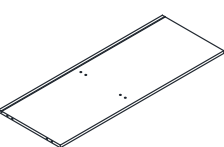
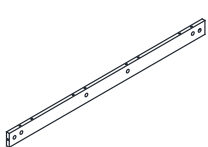
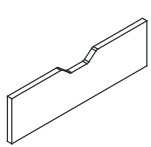
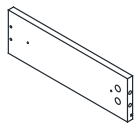
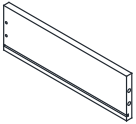
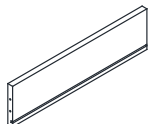
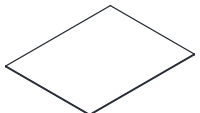


⚠ WARNINGS:

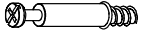
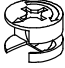









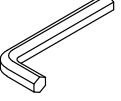
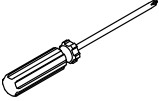
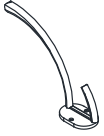
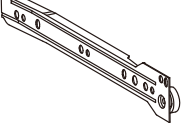
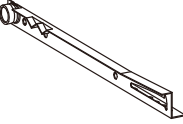
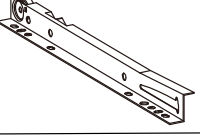
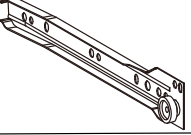
1. Before beginning assembly, please ensure that you have all the required parts if anything is missing, please contact us for assistance instead of immediately initiating any turn. We are here to help.

2. Please put on gloves to avoid chafing.

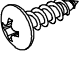




hardware list

| | | |
|----|------|---|
| 1 | 1PC |  |
| 2 | 1PC |  |
| 3 | 1PC |  |
| 4 | 1PC |  |
| 5 | 1PC |  |
| 6 | 1PC |  |
| 7 | 1PC |  |
| 8 | 1PC |  |
| 9 | 4PCS |  |
| 10 | 2PCS |  |
| 11 | 1PC |  |
| 12 | 1PC |  |
| 13 | 1PC |  |
| 14 | 1PC |  |
| 15 | 1PC |  |
| 16 | 1PC |  |
| 17 | 1PC |  |
| 18 | 1PC |  |
| 19 | 2PCS |  |
| 20 | 3PCS |  |
| 21 | 1PC |  |
| 22 | 2PCS |  |
| 23 | 1PC |  |
| 24 | 1PC |  |
| 25 | 1PC |  |
| 26 | 1PC |  |
| 27 | 1PC |  |

hardware list

| | | | | | | | | | |
|---|--------------|---|----------------|---|----------------|--|--------------|--|----------------|
| A | 68PCS | B | 68PCS | C | 60+2PCS | D | 10PCS | E | 14+2PCS |
|  | |  | |  | |  | |  | |
| Ø6x35mm | | Ø15x10mm | | Ø8x30mm | | M7x38mm | | M3x14mm | |
| F | 42PCS | G | 42+2PCS | H | 8PCS | I | 4PCS | J | 8PCS |
|  | |  | |  | |  | |  | |
| 14x14x10mm | | M3x14mm | | M3x12mm | | M4x35mm | | / | |
| K | 8PCS | L | 1PC | M | 1PC | N | 7PCS | CL | 1PC |
|  | |  | |  | |  | |  | |
| | | M4 | | / | | / | | | |
| DL | 1PC | DR | 1PC | CR | 1PC | | | | |
|  | |  | |  | | | | | |

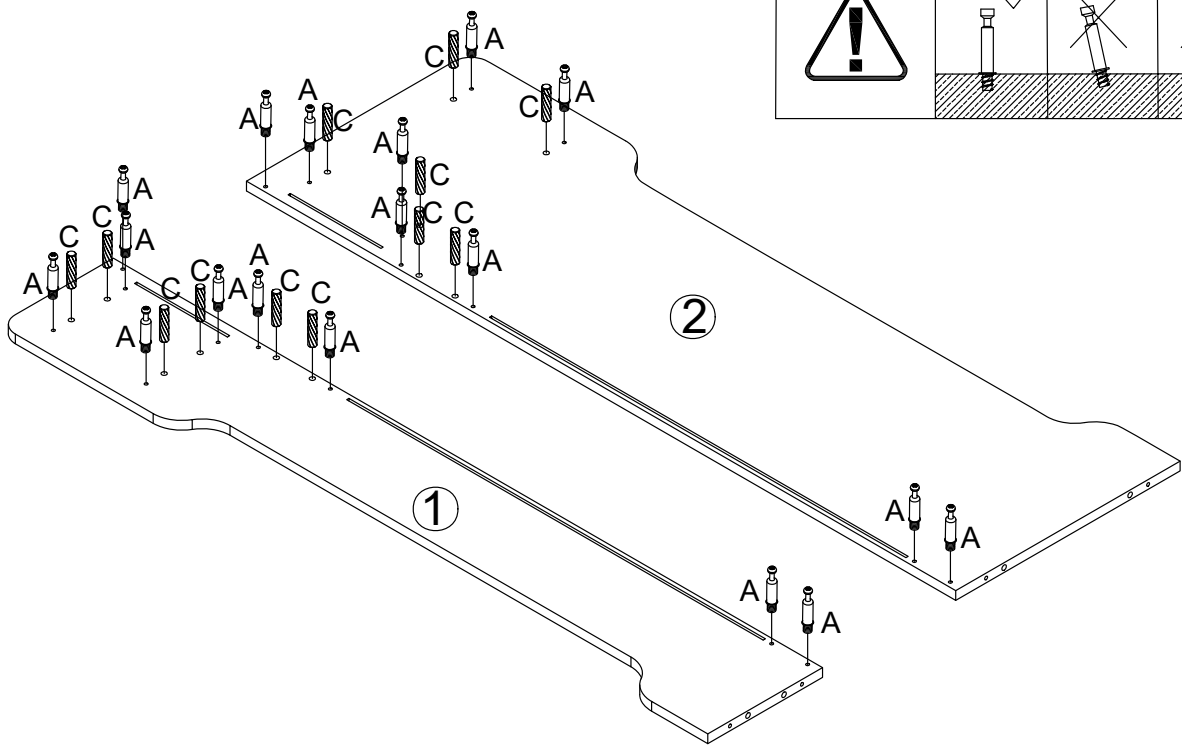
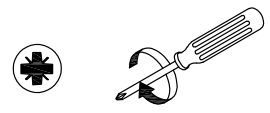
Anti-overturn hardware bag

| | | | | | | | | | |
|---|-------------|---|-------------|---|-------------|---|-------------|---|-------------|
| O | 2PCS | P | 2PCS | Q | 2PCS | R | 2PCS | S | 4PCS |
|  | |  | |  | |  | |  | |
| ø4x12mm | | / | | / | | ø4x40mm | | / | |

STEP 1

AX18
M6x35

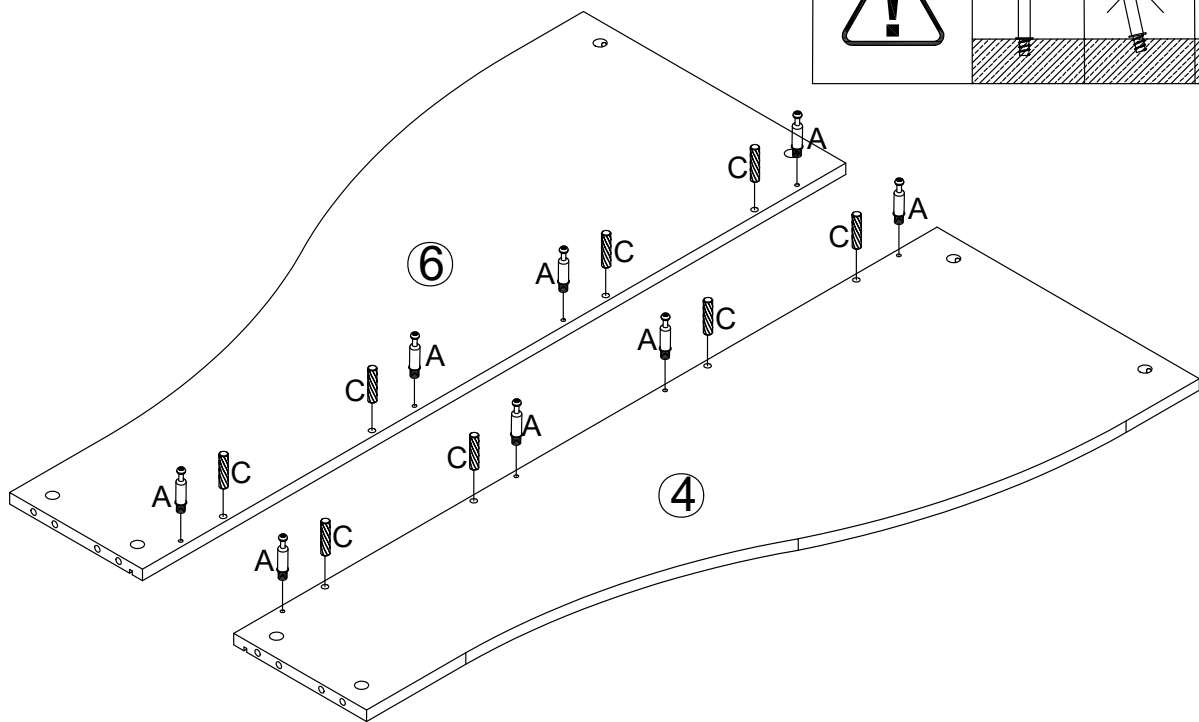
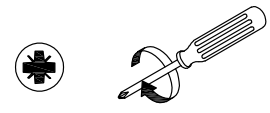
CX12
ø8x30



STEP 2

AX8
M6x35

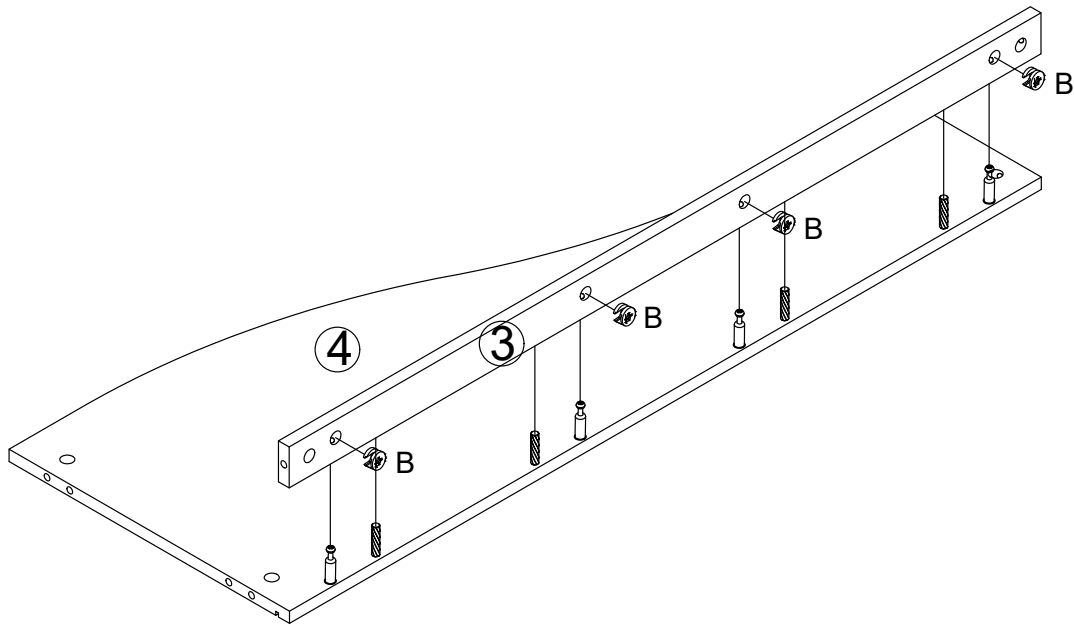
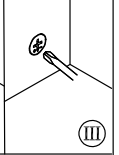
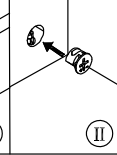
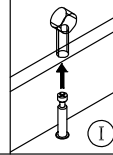
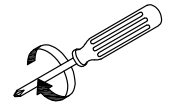
CX8
ø8x30



STEP3

Bx4

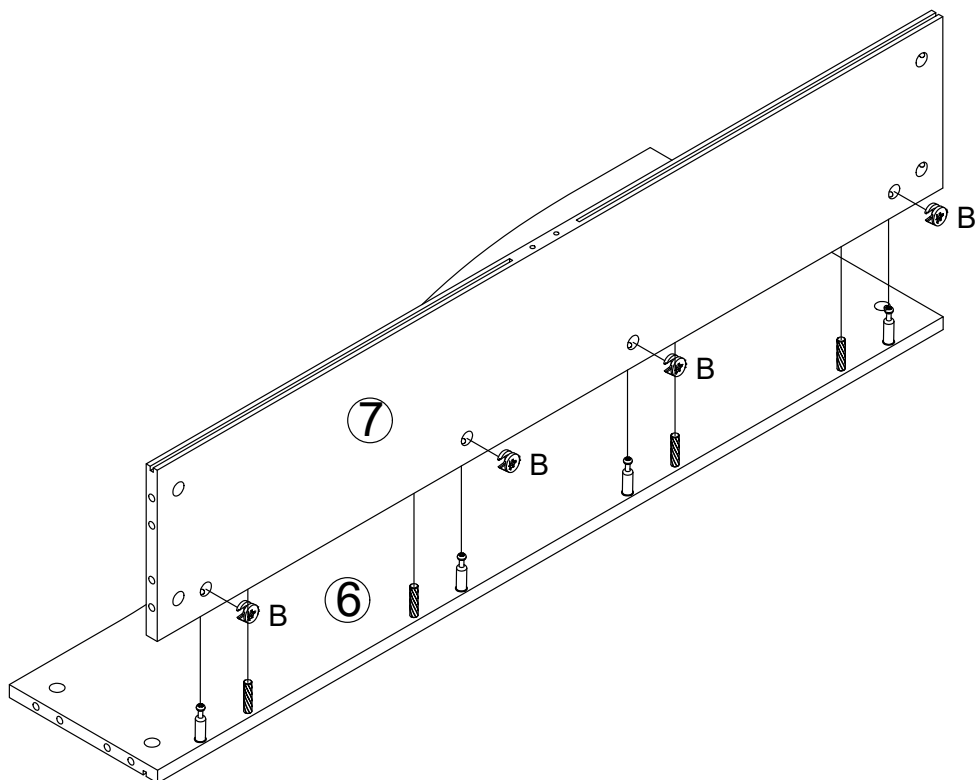
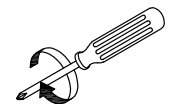
ø15x10



STEP4

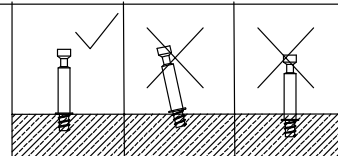
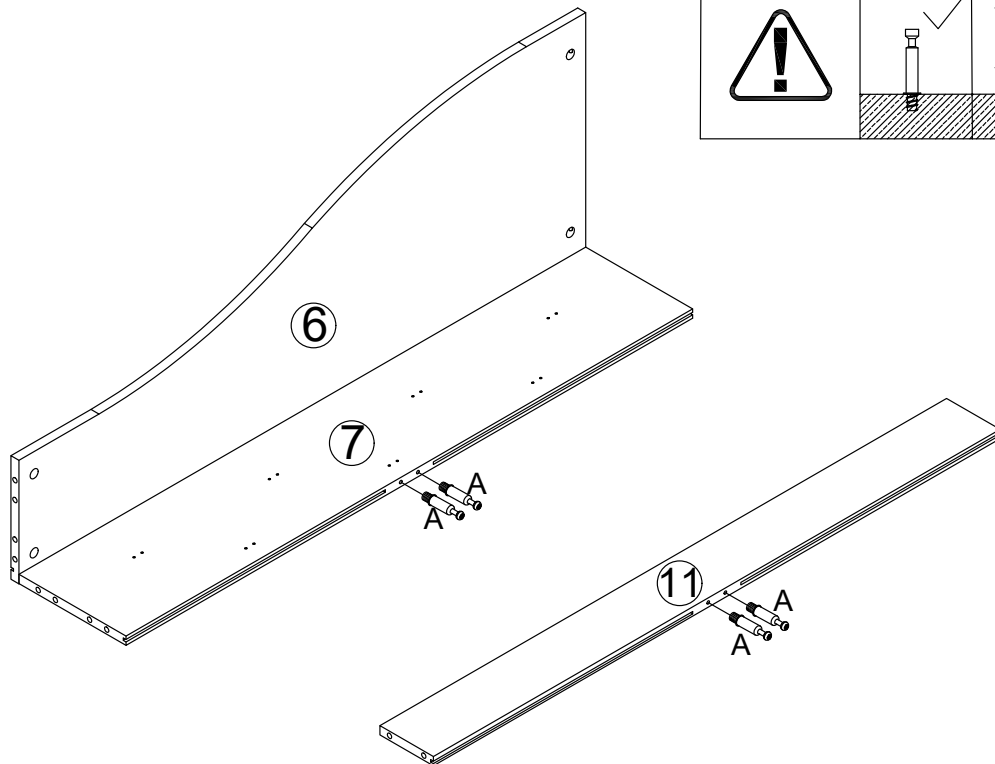
Bx4

ø15x10



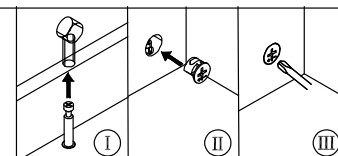
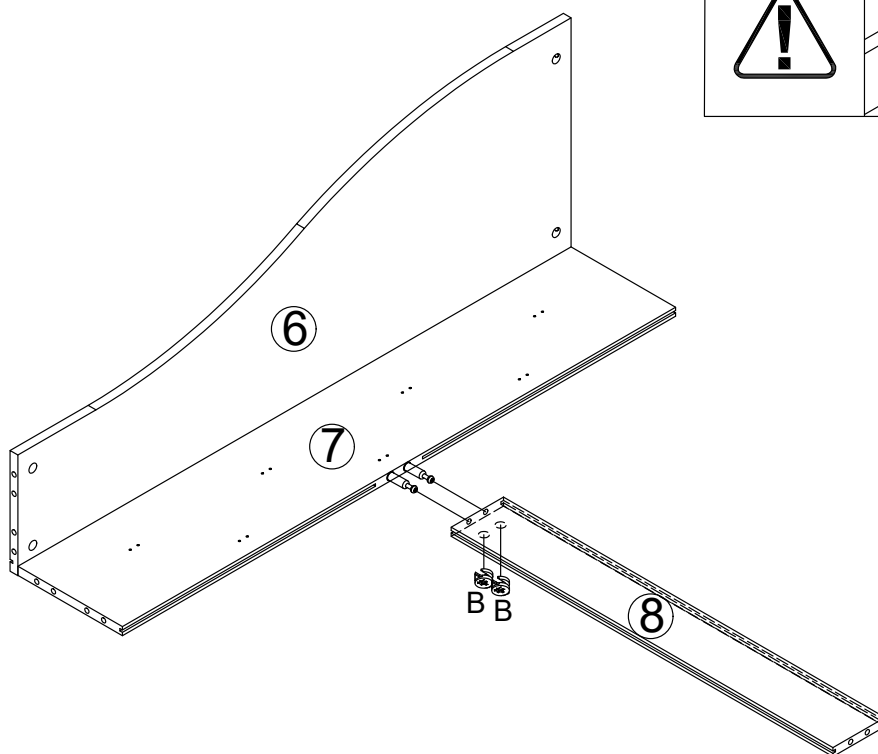
STEP5

Ax4
M6X35



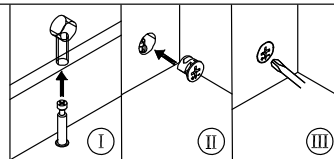
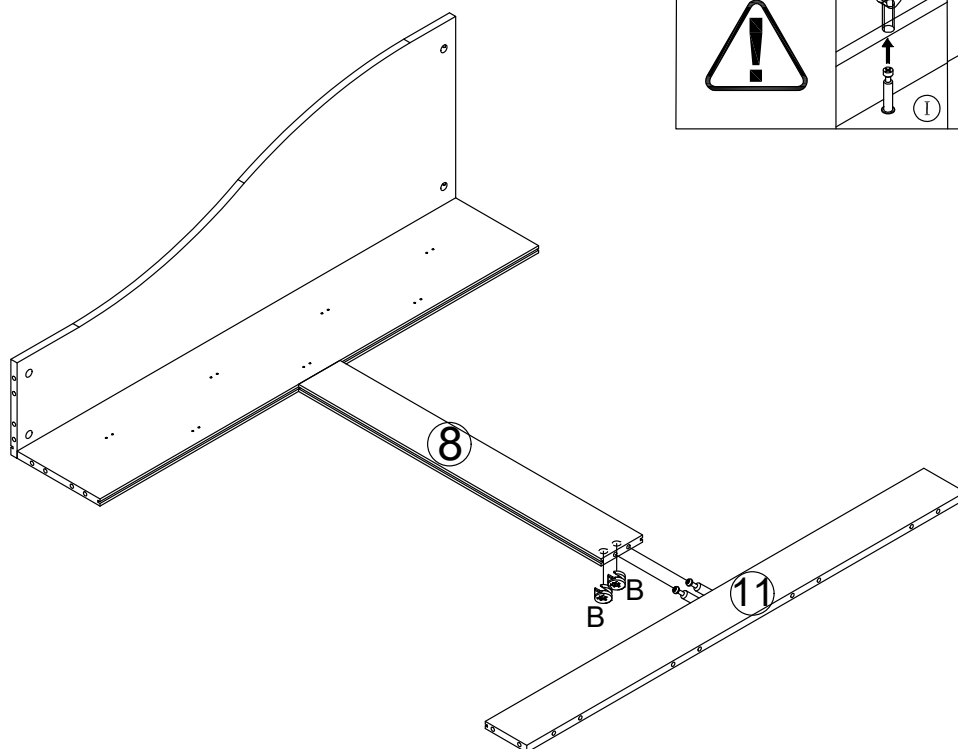
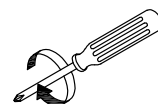
STEP6

Bx2
ø15x10

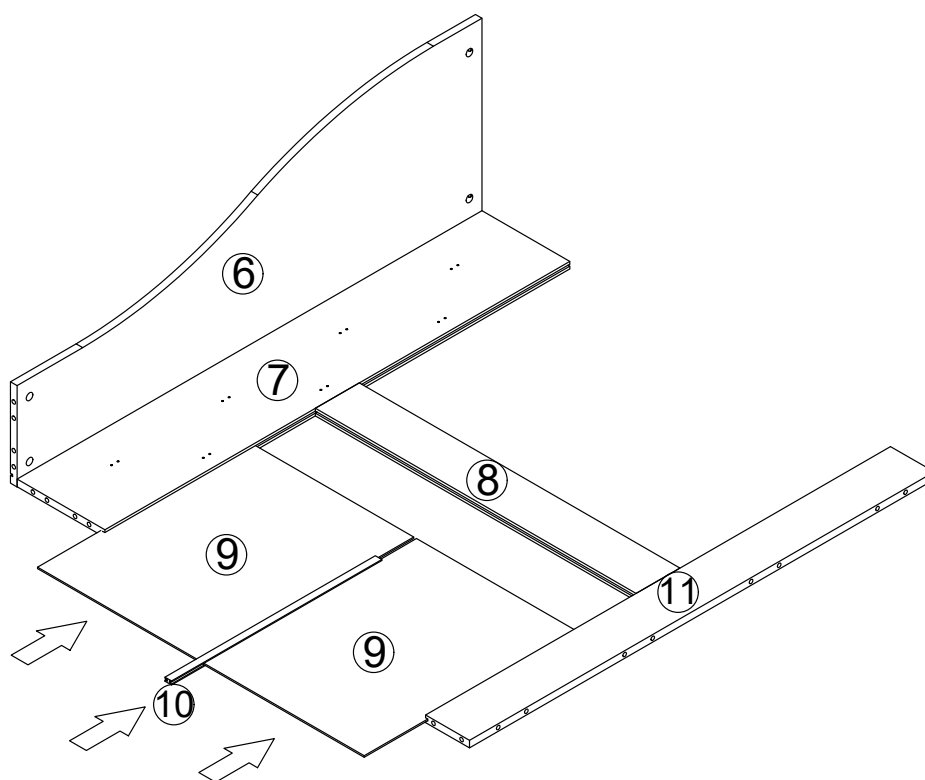


STEP 7

Bx2
ø15x10

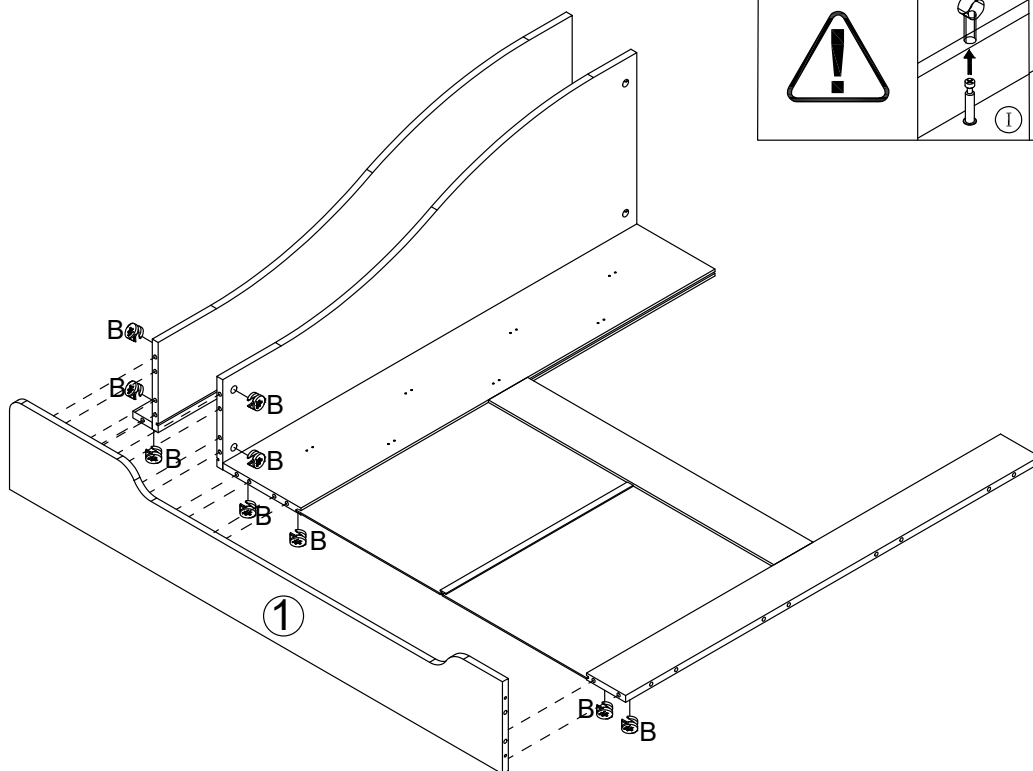
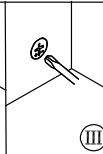
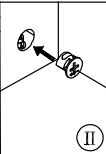
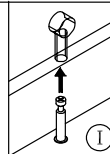
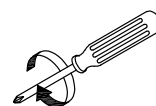


STEP 8

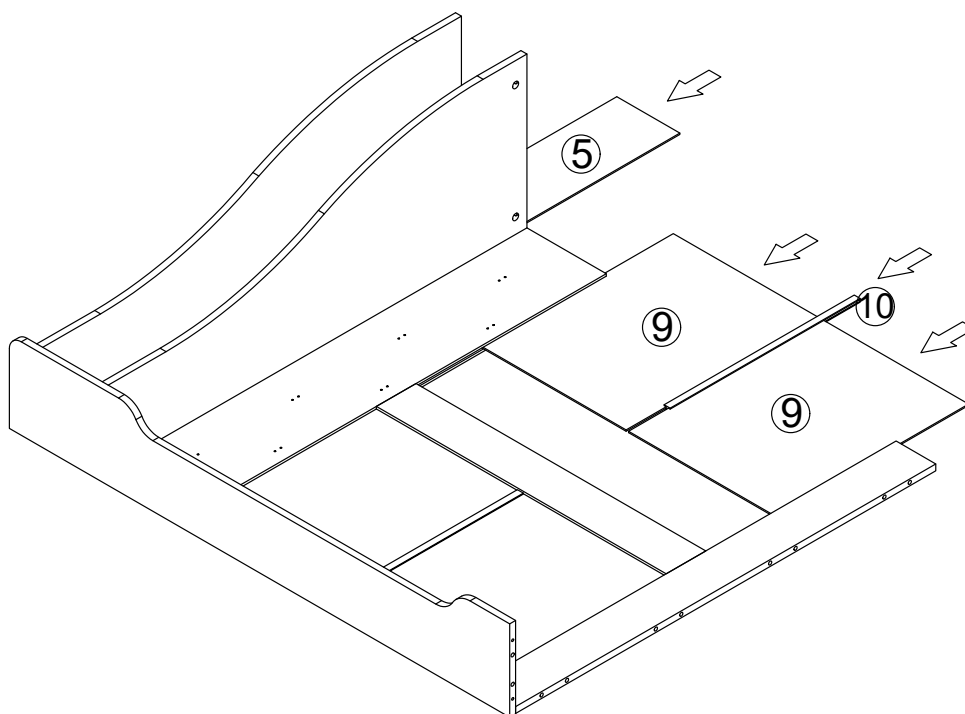


STEP9

Bx9
ø15x10

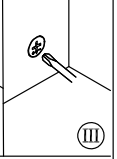
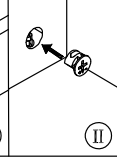
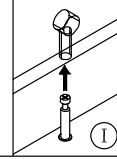
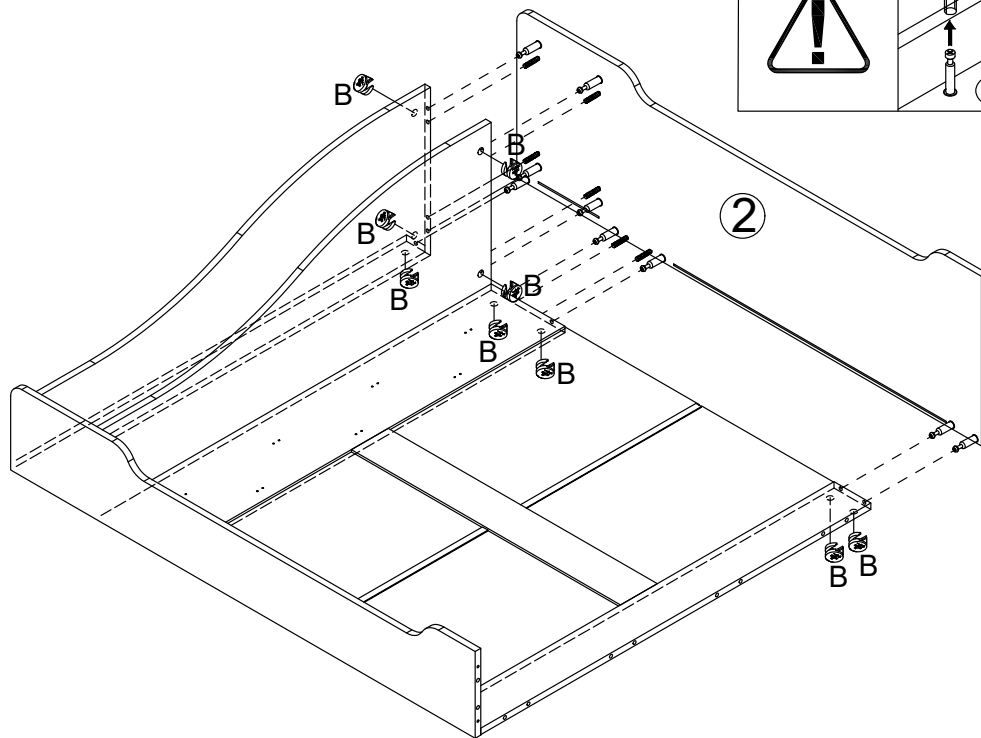
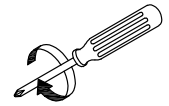


STEP10



STEP11

Bx9

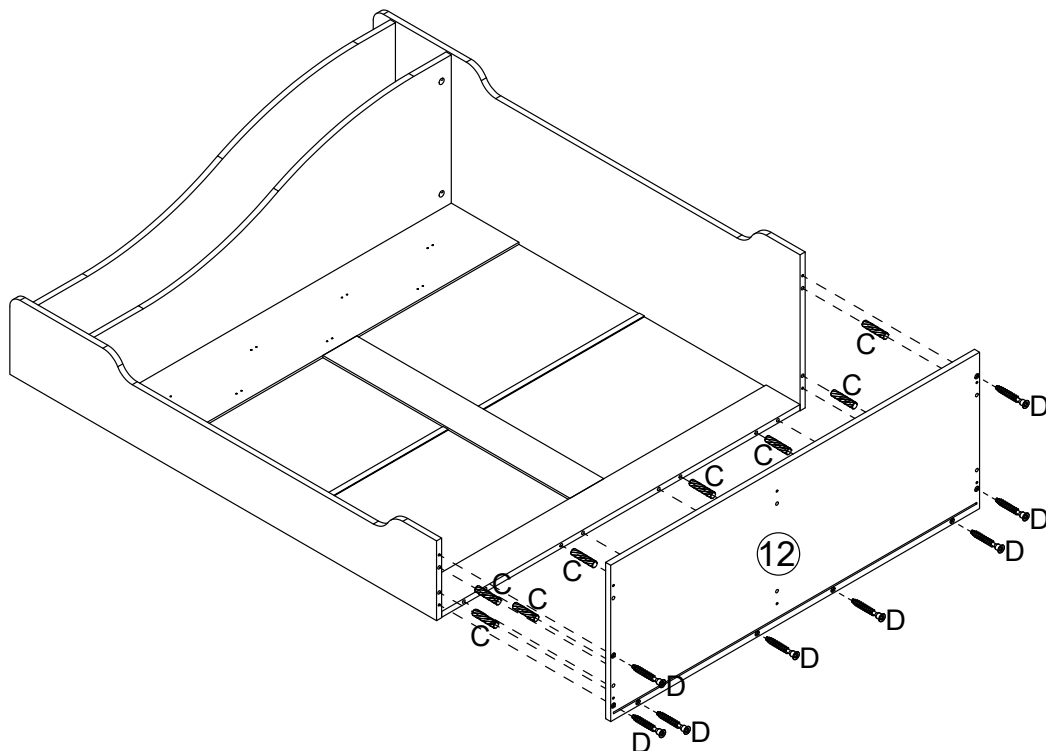
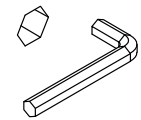


STEP12

Cx8



Dx8



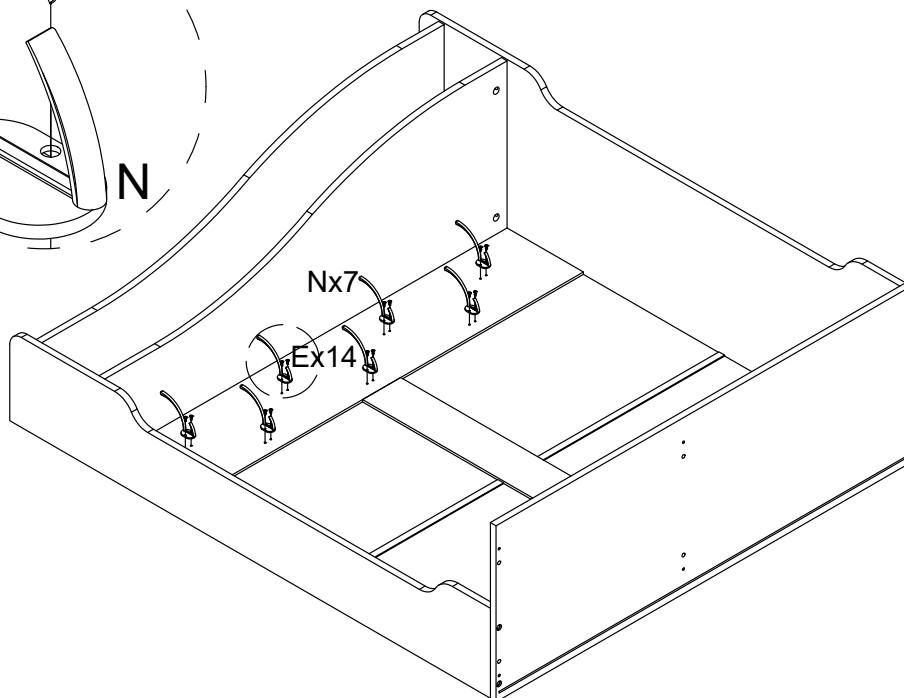
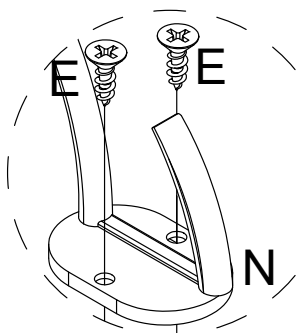
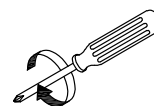
STEP13

Ex14



M3x14

Nx7



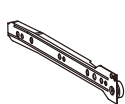
STEP14

HX4

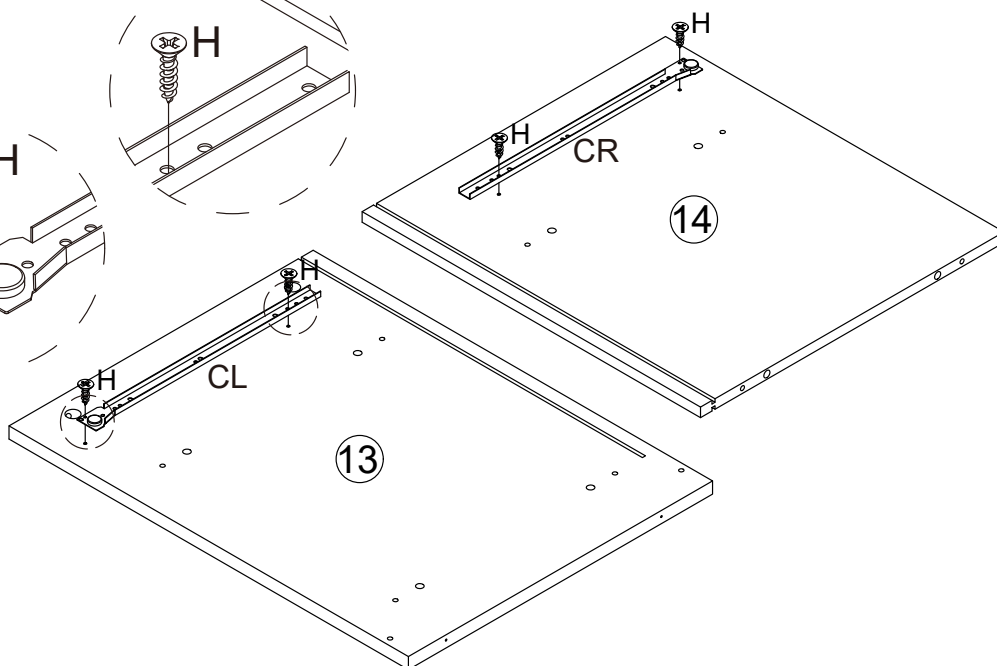
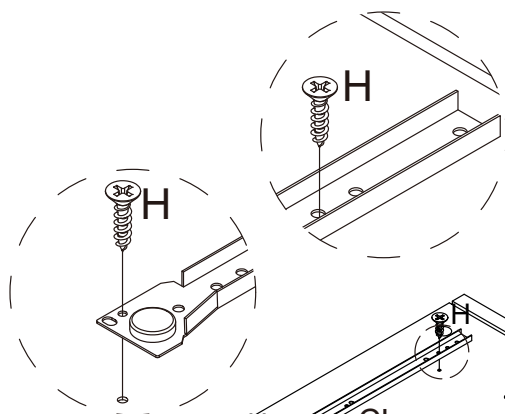
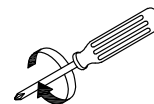
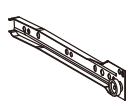


M3x12

CLX1



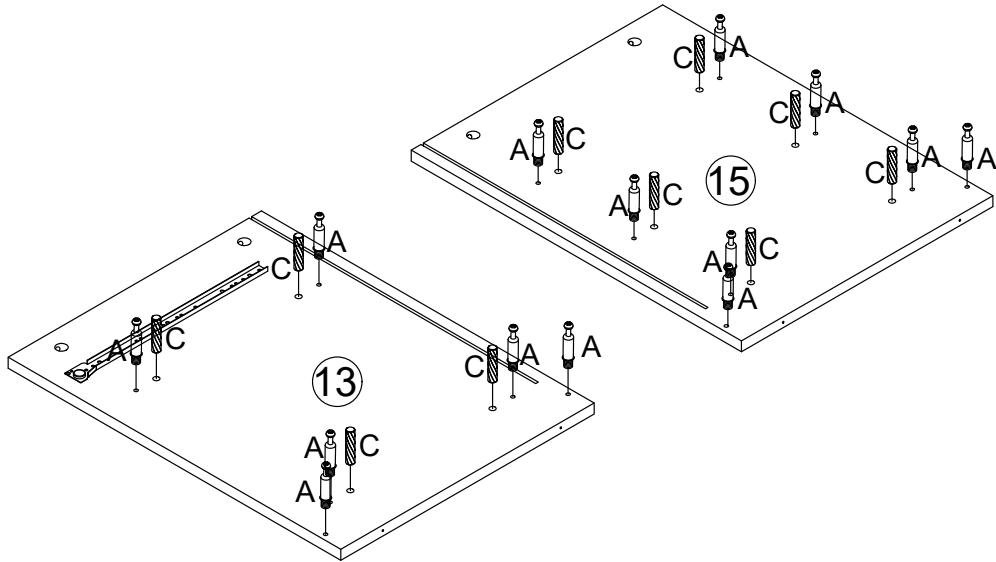
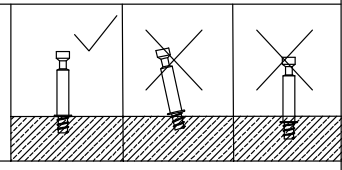
CRX1



STEP15

AX14
M6x35

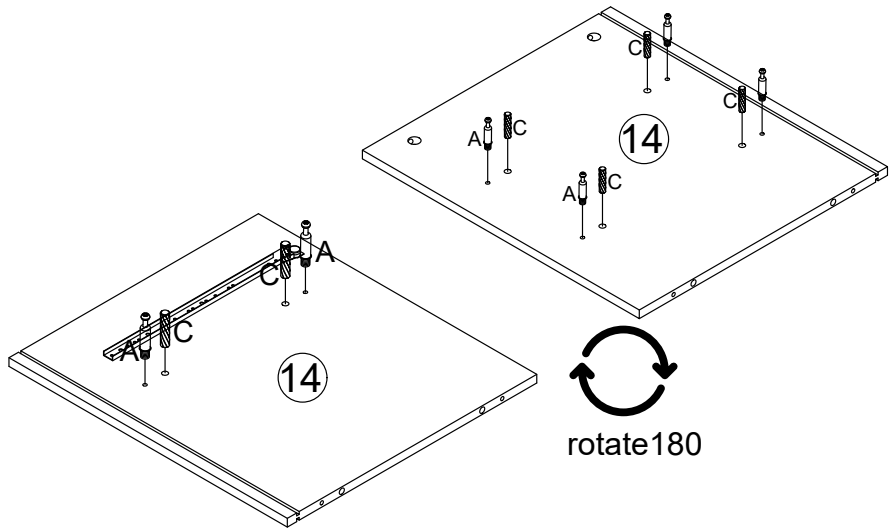
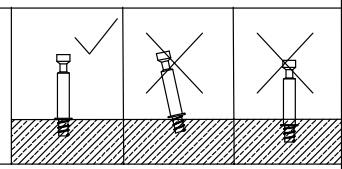
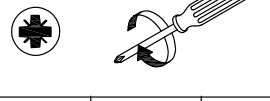
CX10
ø8x30



STEP16

AX6
M6x35

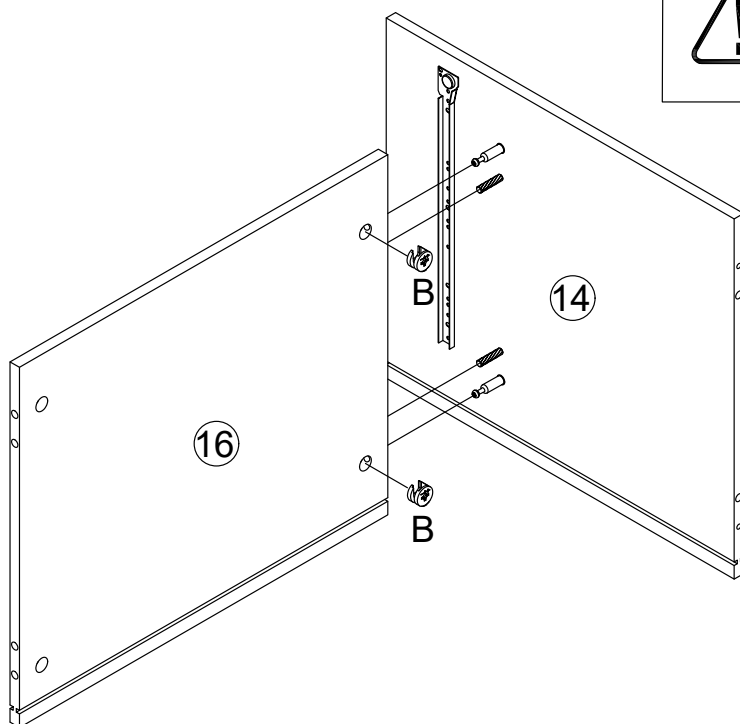
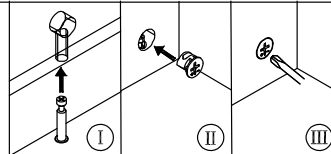
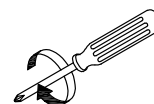
CX6
ø8x30



STEP17

Bx2

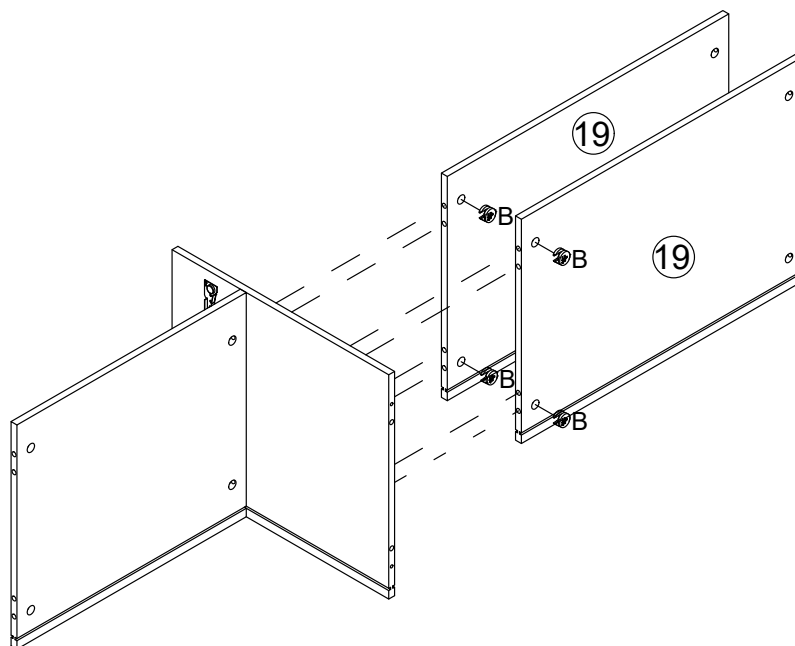
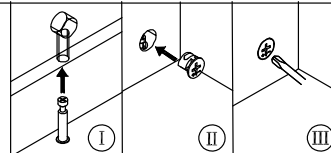
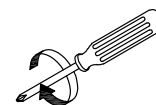
ø15x10



STEP18

Bx4

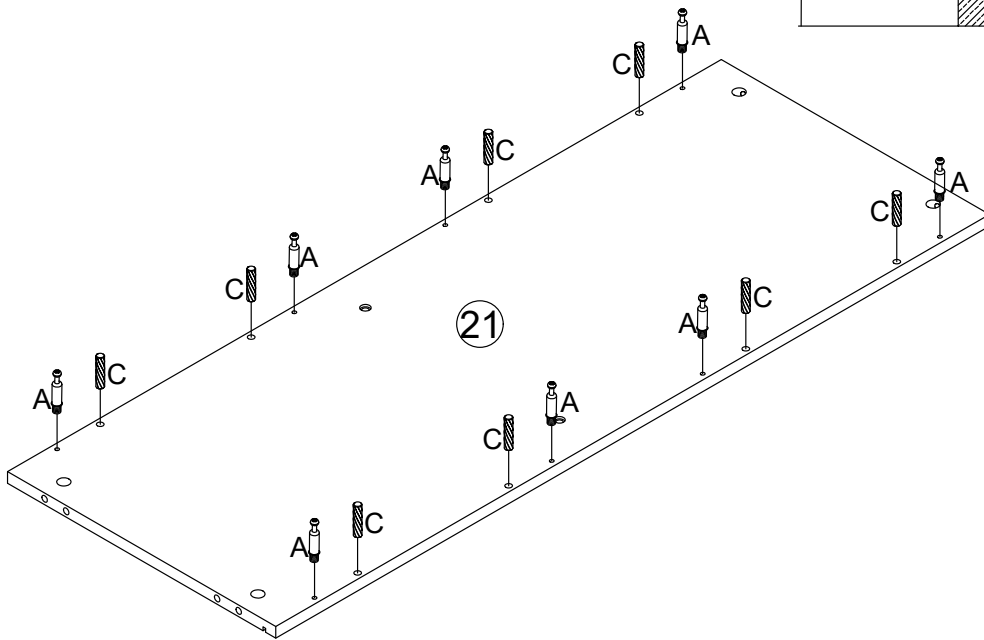
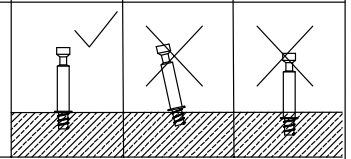
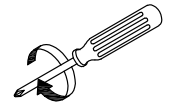
ø15x10



STEP19

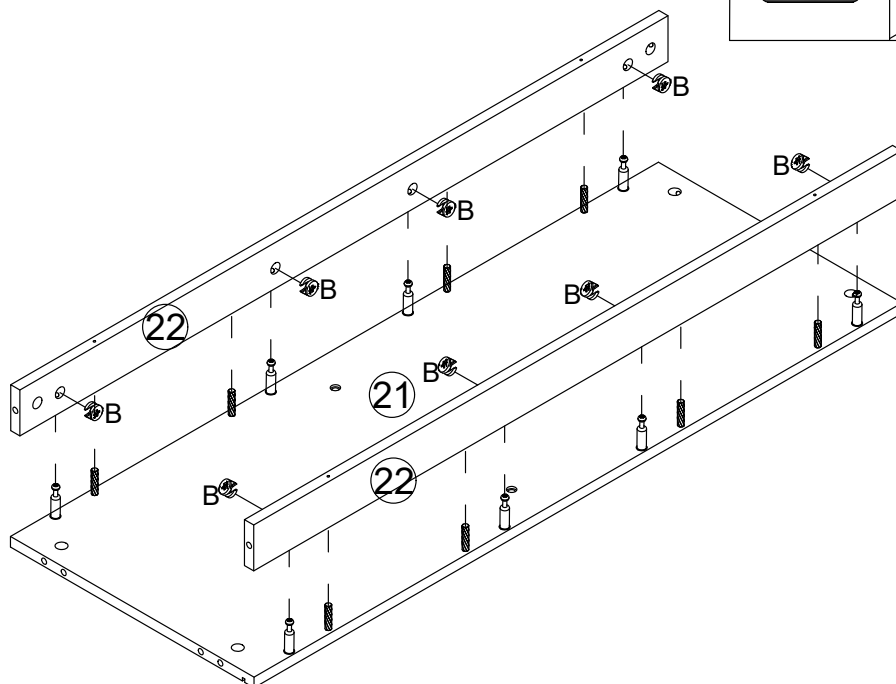
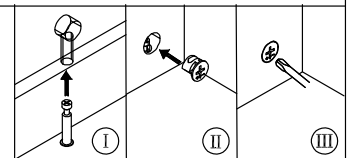
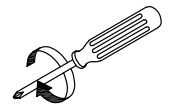
Ax8
M6X35

Cx8
ø8x30



STEP20

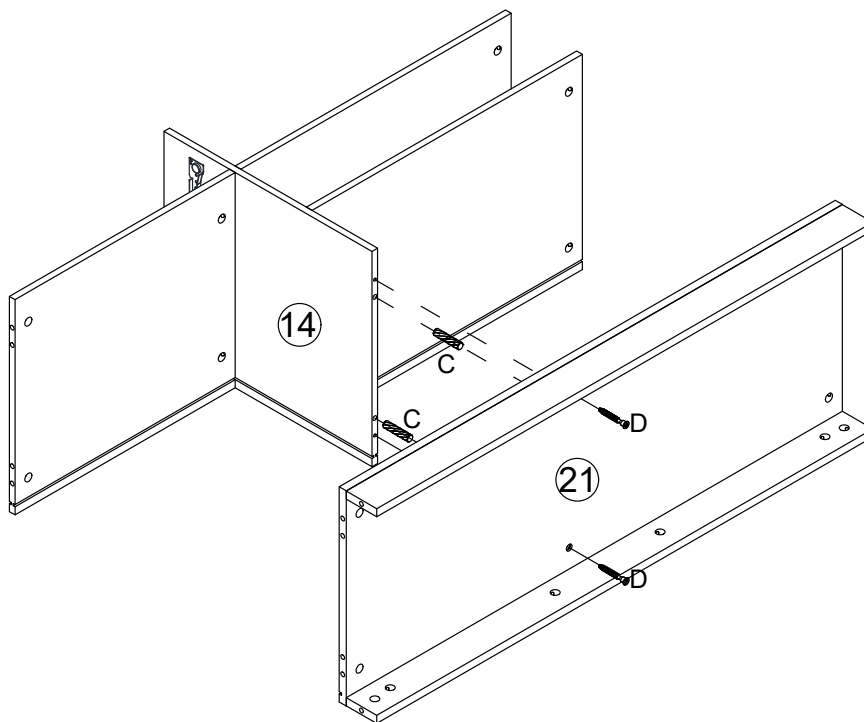
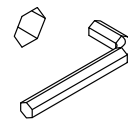
Bx8
ø15x10



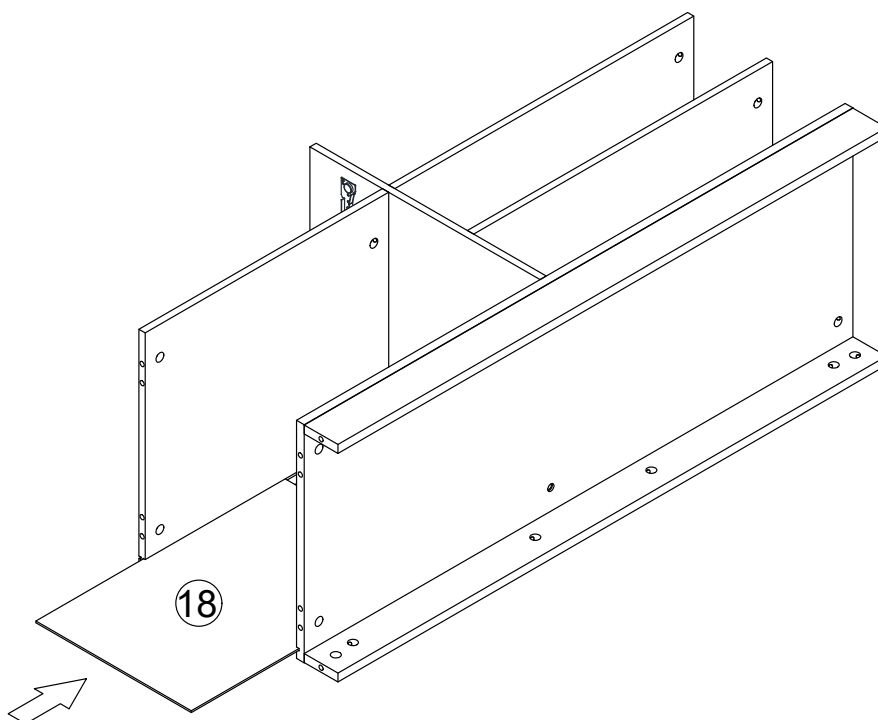
STEP21

CX2
ø8x30

DX2
M7x38



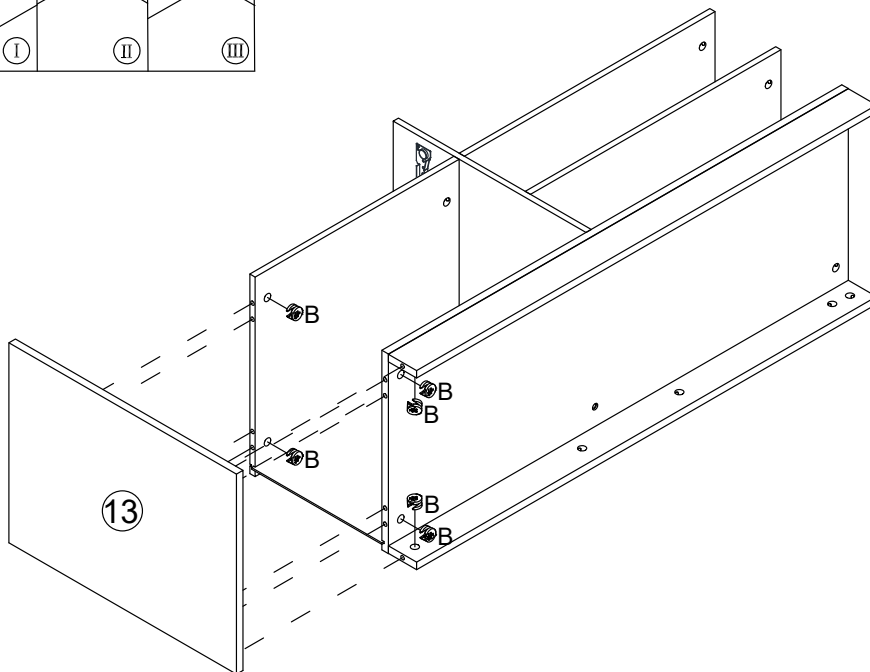
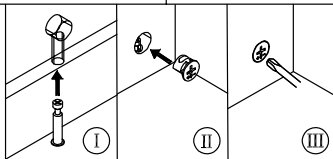
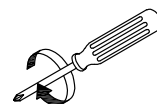
STEP22



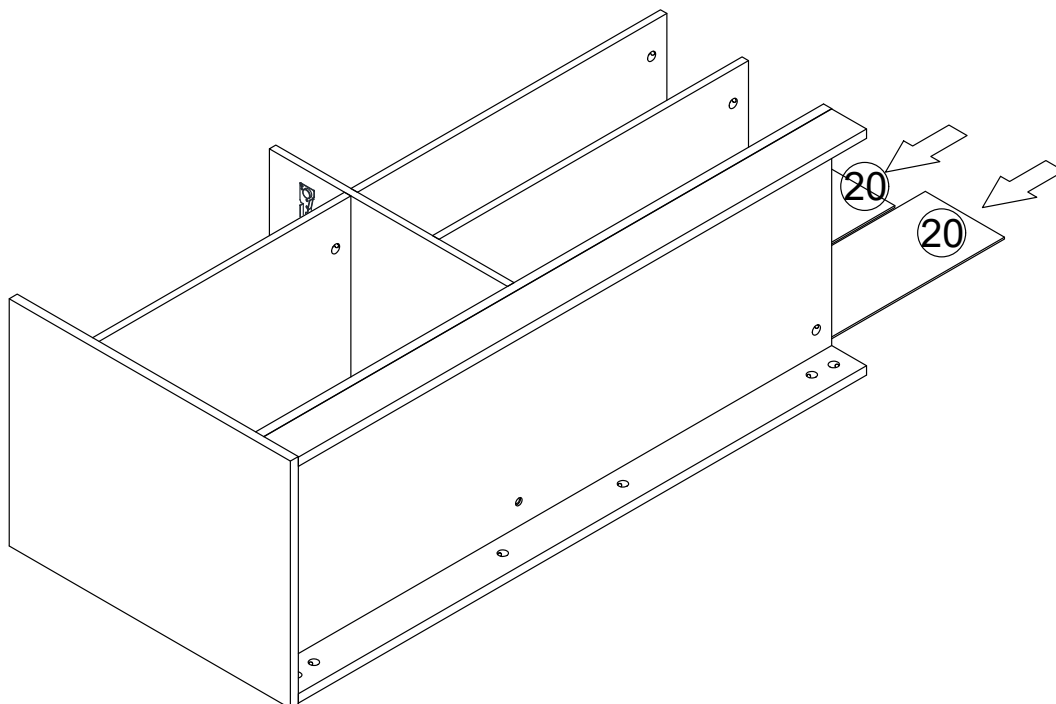
STEP23

BX6


ø15x10

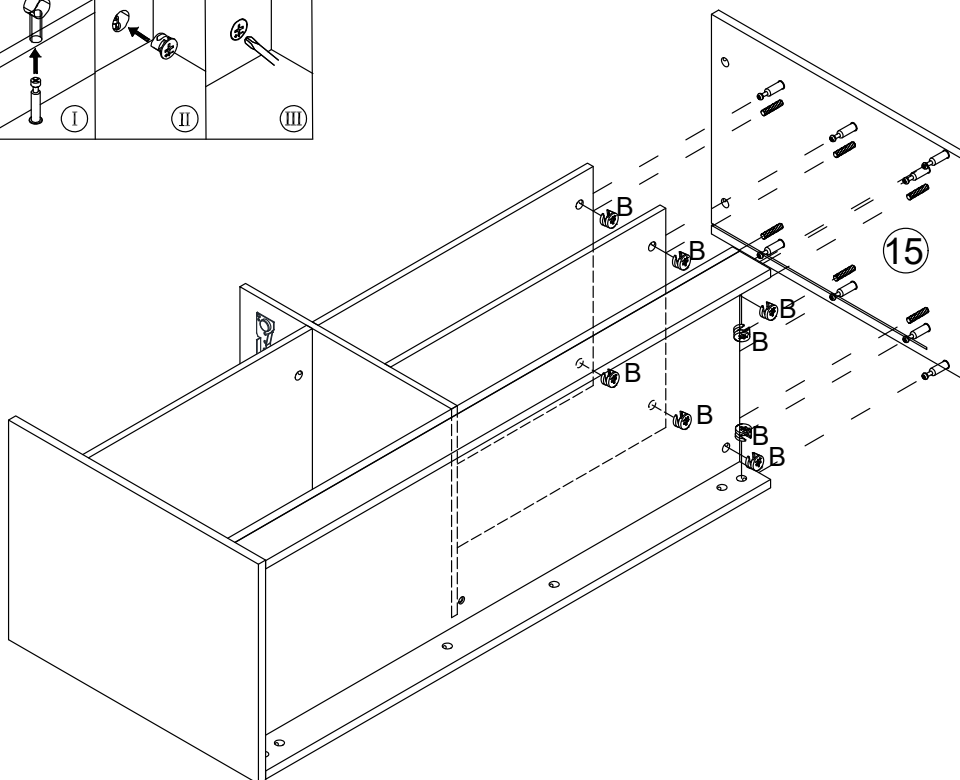
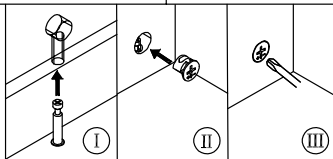
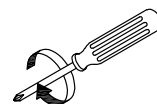


STEP24



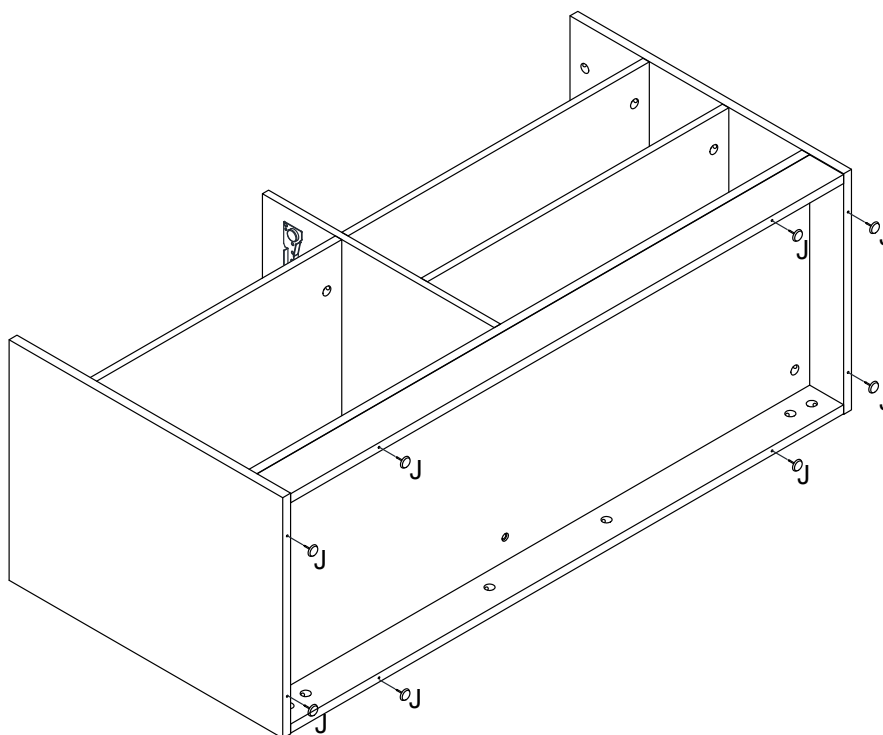
STEP25

BX8

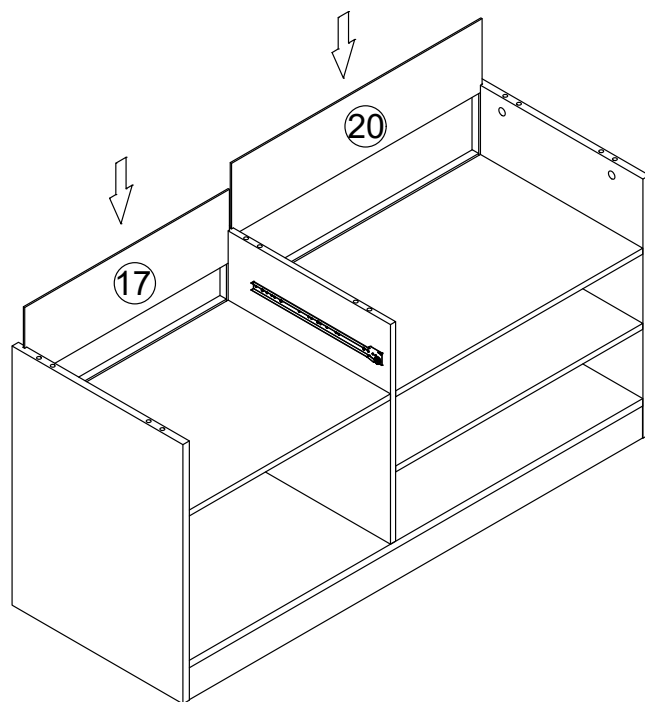


STEP26

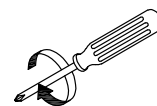
JX8



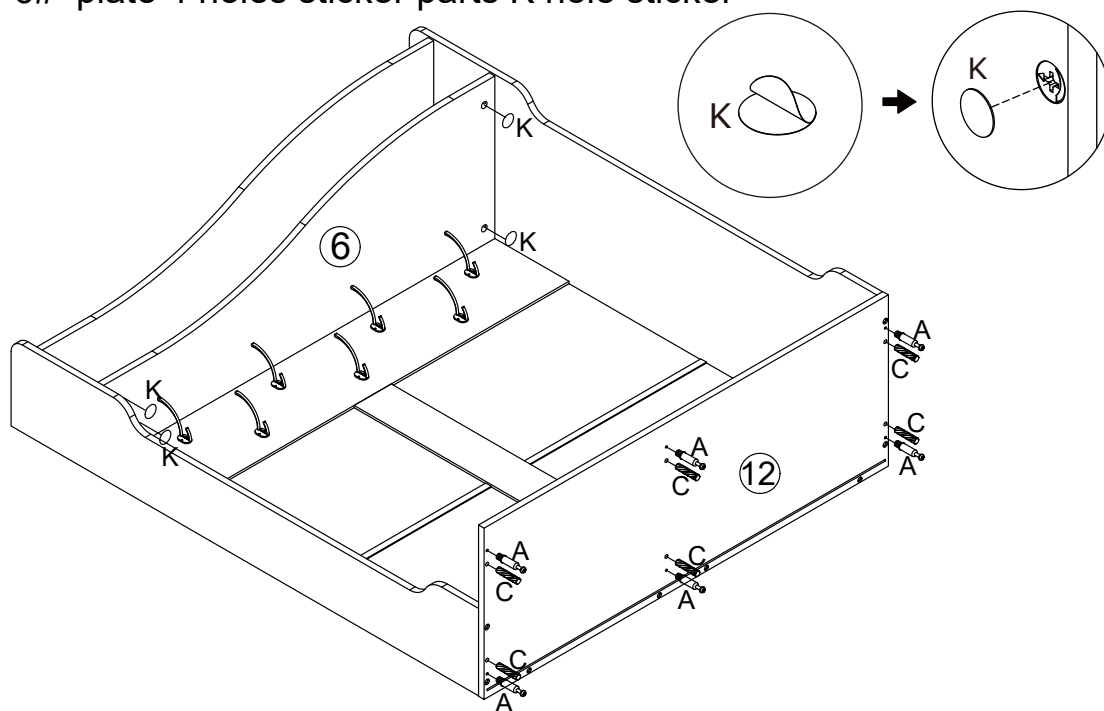
STEP27



STEP28



6# plate 4 holes sticker parts K hole sticker

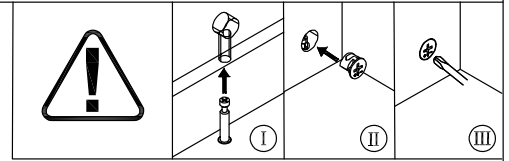
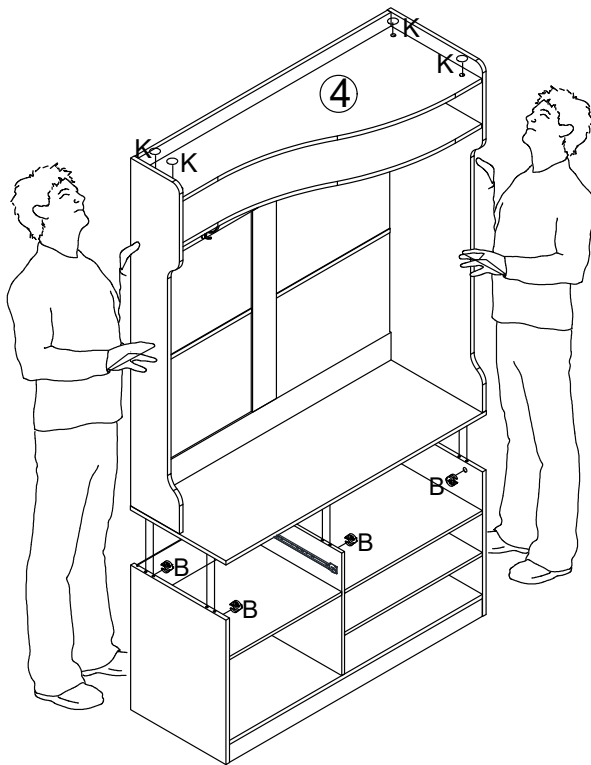
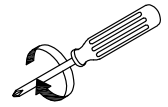


STEP29

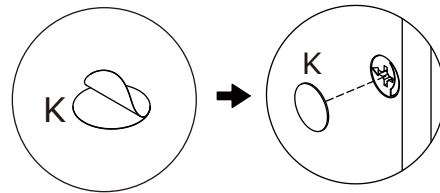
Bx6

ø15x10

KX4





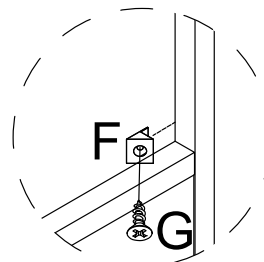
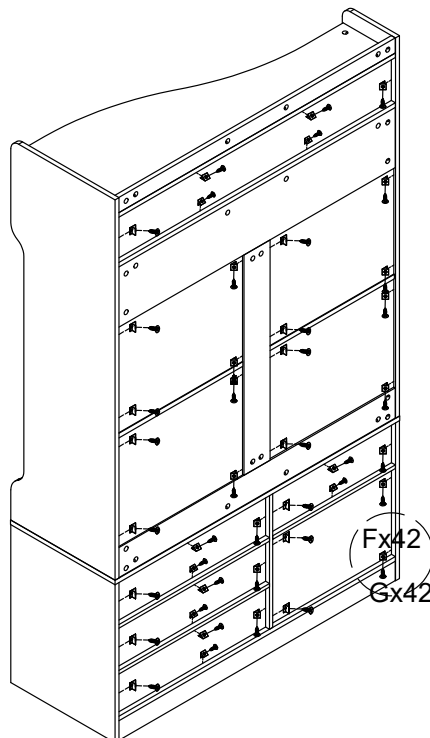
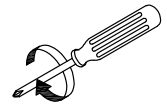
4# plate 4 holes sticker
parts K hole sticker



STEP30

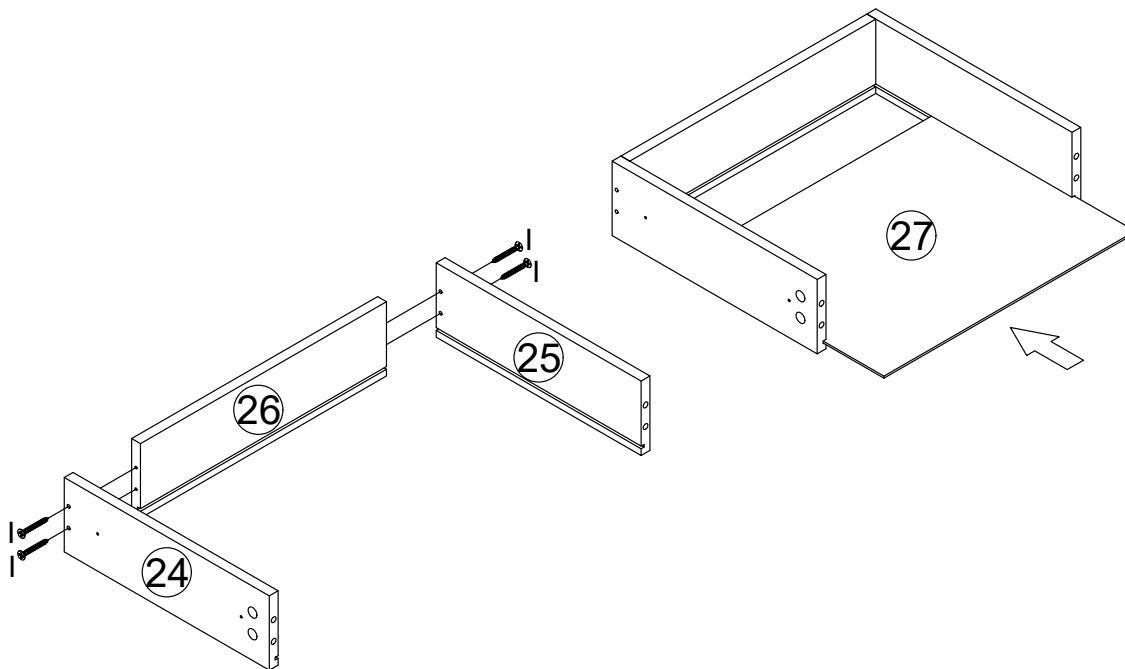
FX42


GX42

M3x14



STEP31

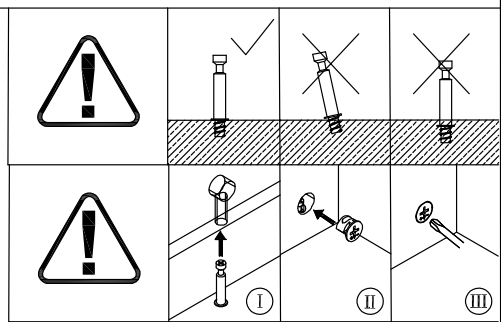
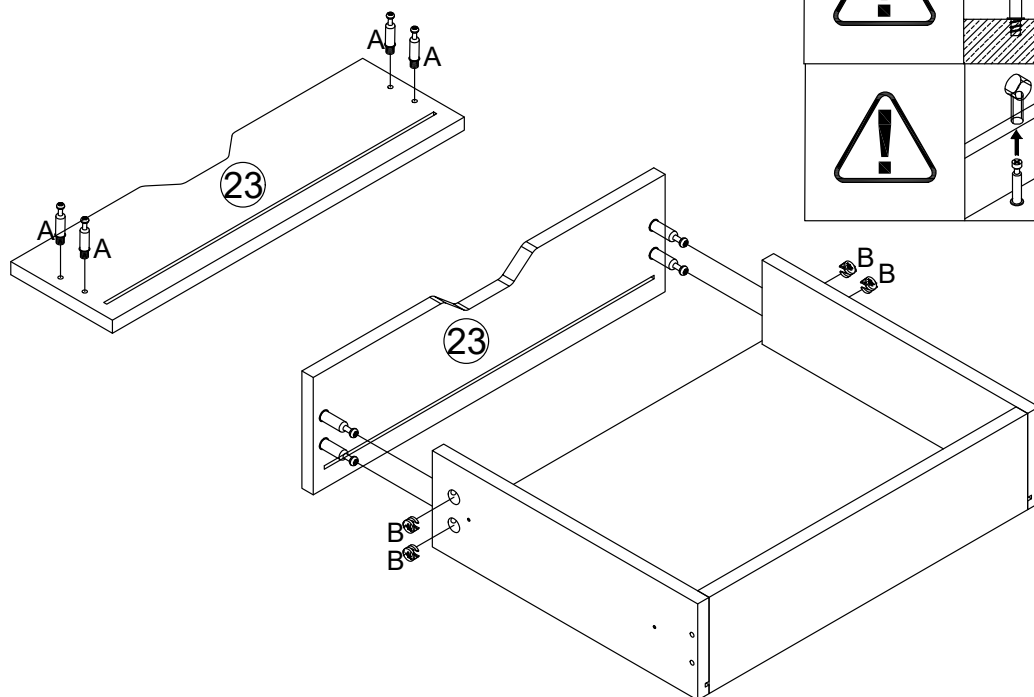
1x4
M4x35



STEP32

AX4
M6x35

Bx4
ø15x10

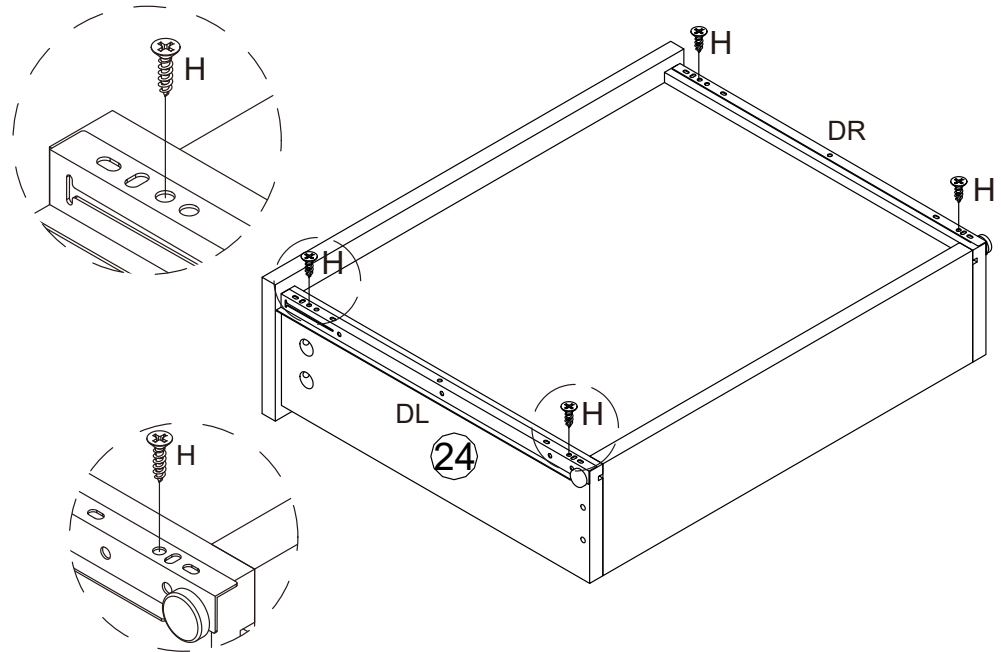
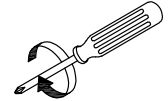


STEP33

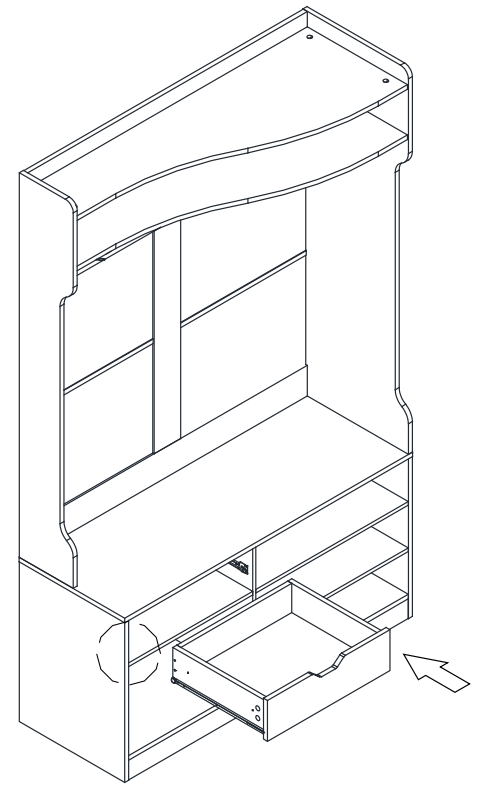
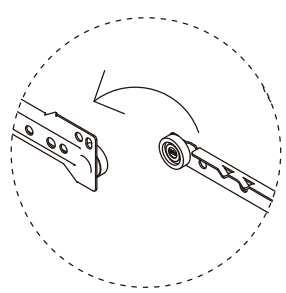
Hx4
M3x12

DLx1

DRx1



STEP34



STEP35

Ox2



ø4x12

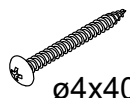
Px2



Qx2

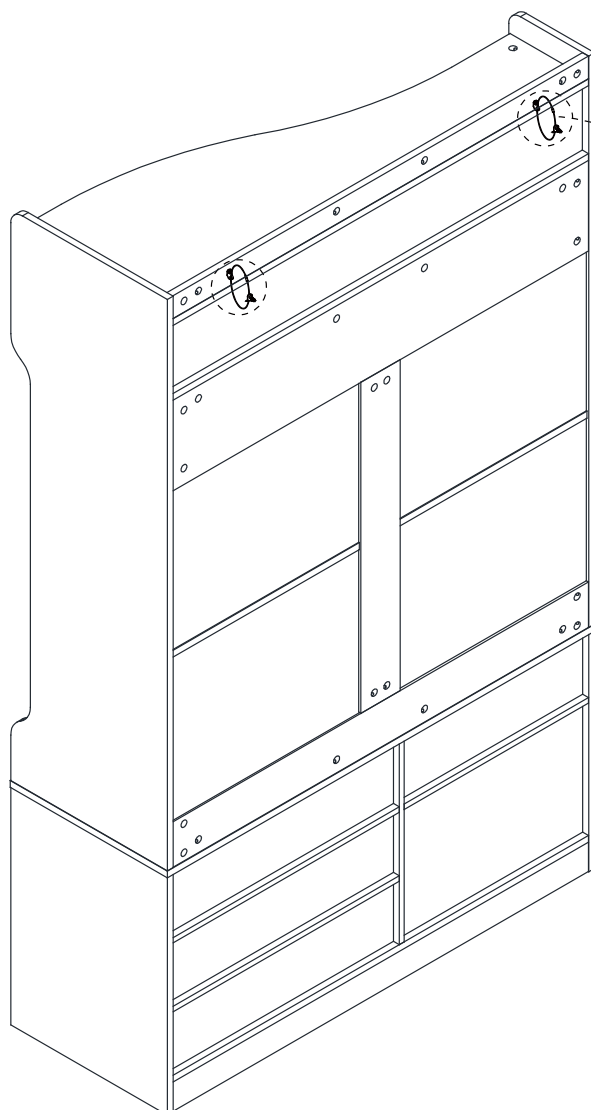
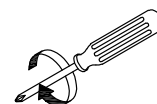


Rx2



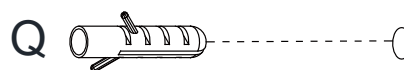
ø4x40

Sx4

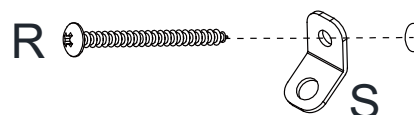


Step1

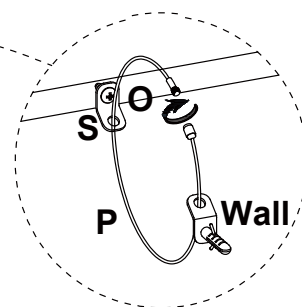
Wall



Step2



Step3



STEP36

Installation Completed

