

NOTICE

* Please make sure that you have all parts indicated and they are in good condition before you begin assembly of this item. Refer to part list and hardware list below for guidance.

* This item should be assembled on a soft surface to prevent scratching the finish during assembly.

* This item may require periodic tightening.

*

PREPARATION

* Before beginning assembly of product, make sure all parts are present. Compare parts with part contents list and hardware contents list.

* If any part is missing or damaged, do not attempt to assemble the product.







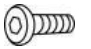



* Estimated Assembly Time: **10 minutes**.

* Tools Required for Assembly (included): **Allen Key**

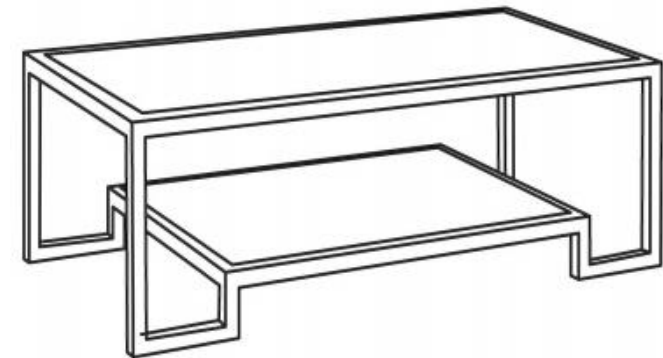
CARE AND MAINTENANCE

Dust with a soft, dry cloth. Do not use abrasive cleaner. To clean glass, spray a small amount of glass cleaner onto a lint-free cloth and wipe glass clean.

Part List and Hardware List

Piece	Description	Picture	Quantity
A	Leg		2 X
B	Leg		2 X
C	Shelf		1X
D	Top Frame		1X
E	Top Glass		1X
F	Shelf Glass		1X
HW1	Allen Bolt (M6x10mm)		16X
HW2	Glass Mat		10X
HW3	Feet Cap		8X
HW4	Allen Key		1X

Product Dimensions: 51.3"Wx27.5"Dx17.8"H



⚠ WARNING ⚠

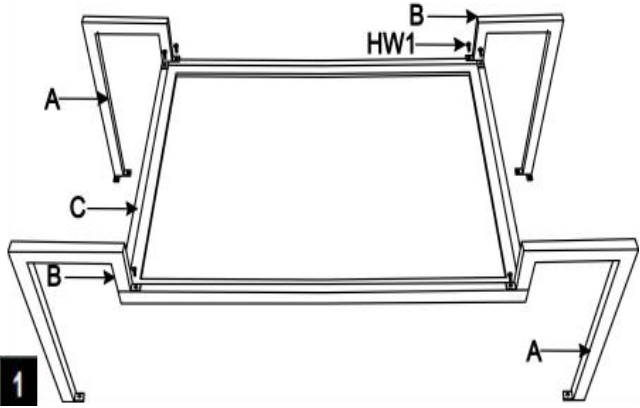
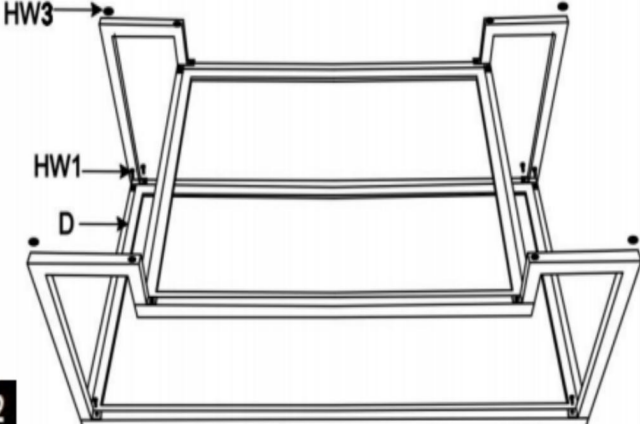
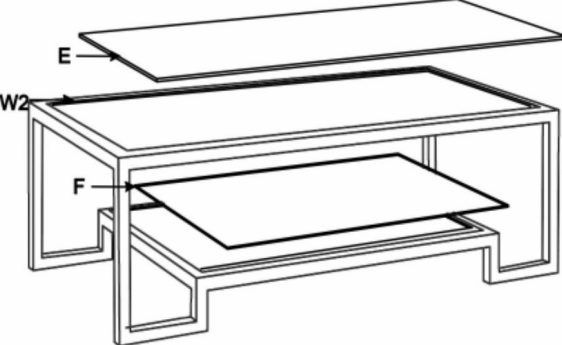
Weight Capacity-80LBS

Warning: Do not stand on Table

Warning: Do not over torque bolts.

Preparation

- * Before beginning assembly of product, make sure all parts are present. Compare parts with package contents list and hardware contents list.
- * If any part is missing or damaged, do not attempt to assemble the product.
- * Estimated Assembly Time: **10 minutes**.
- * Tools requires for assembly: **Allen Key**
- * If you are having difficulty, our friendly Customer Care team is always here to help. Please email customersupport@safavieh.com

 <p>Diagram 1 shows the initial assembly step. A rectangular shelf frame (C) is being attached to four legs (A and B). Allen bolts (HW1) are used to secure the legs to the frame. The diagram is labeled with a '1' in a black box in the bottom left corner.</p>	 <p>Diagram 2 shows the second assembly step. A top frame (D) is attached to the legs (A and B) using Allen bolts (HW1). Feet caps (HW3) are then placed on the bottom of the legs. The diagram is labeled with a '2' in a black box in the bottom left corner.</p>	 <p>Diagram 3 shows the final assembly step. Two glass mats (HW2) are placed on the top and shelf frames (E and F). The diagram is labeled with a '3' in a black box in the bottom left corner.</p>
<p>Step 1: Attach Legs (A, B) to the Shelf (C) together, tight Allen Bolts (HW1) by Allen Key (HW4)</p>	<p>Step 2: Attach top frame (D) to the legs (A,B) together, tight Allen Bolts (HW1) by Allen Key (HW4). Then put the feet cap (HW3) on bottom of Legs</p>	<p>Step 3: Put glass mats (HW2) on top and shelf frame, then place glass on it</p>