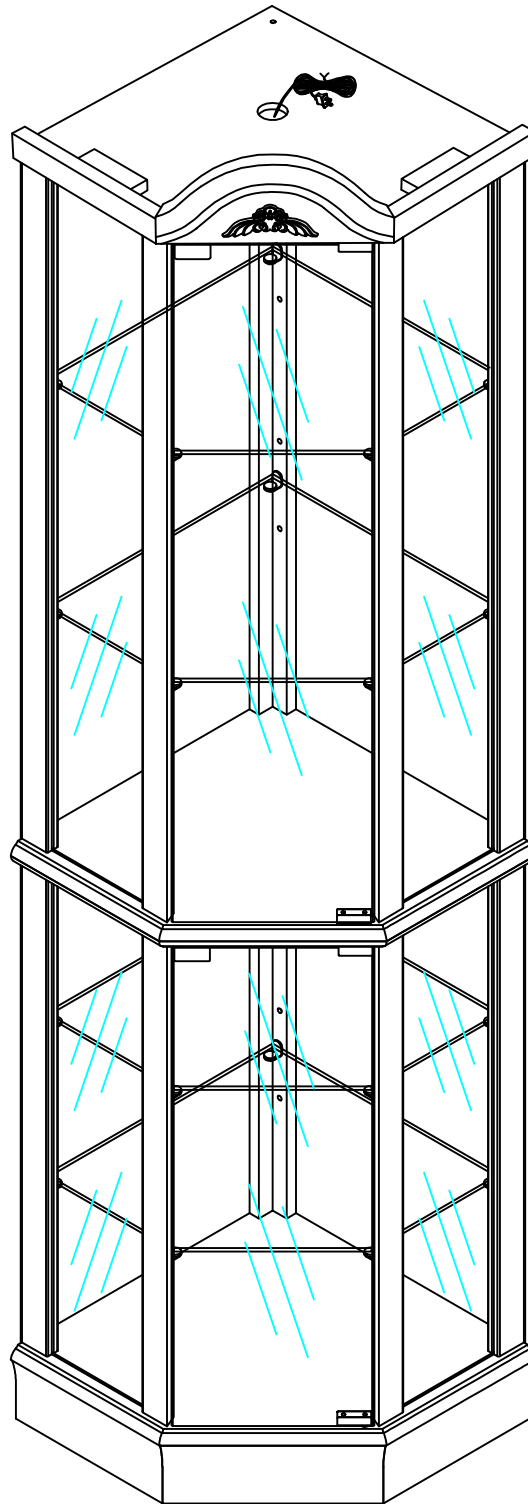
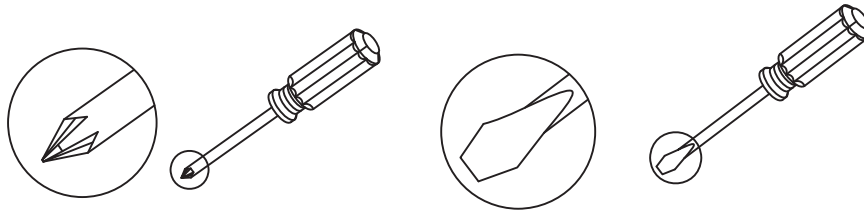


# Corner Curio Cabinet (Flower)

## Assembly Instructions

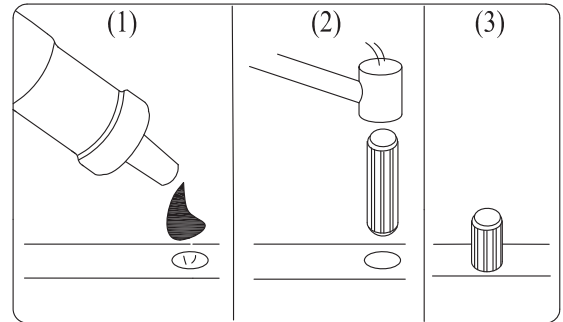


# ASSEMBLY TOOLS REQUIRED (NOT INCLUDED)

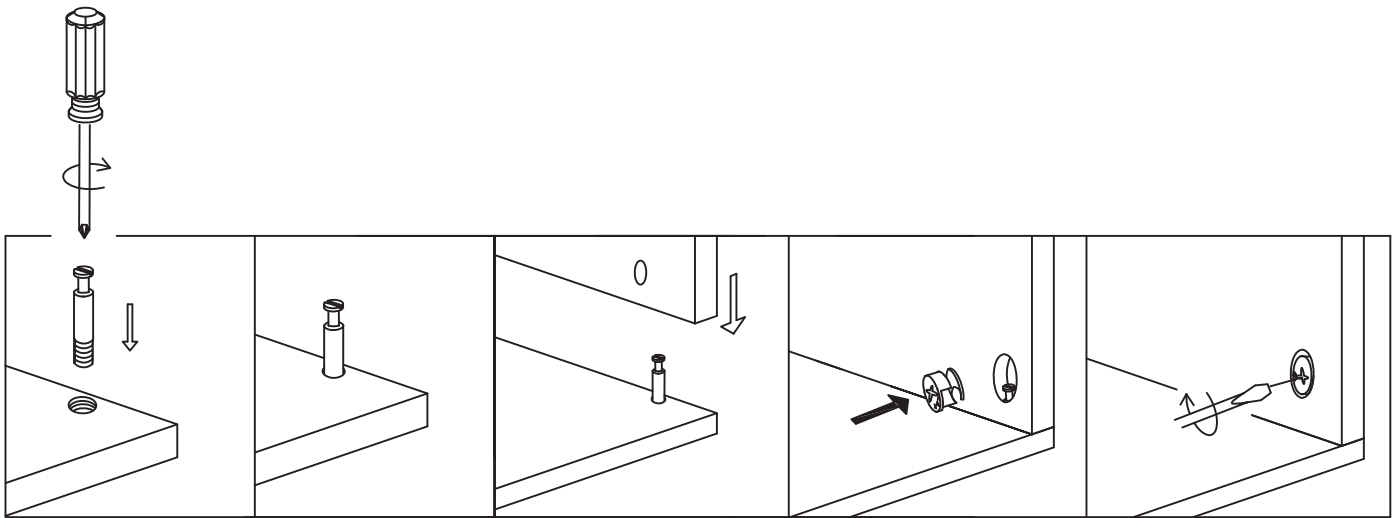


## WOODEN DOWEL INSTALLATION PROCEDURE

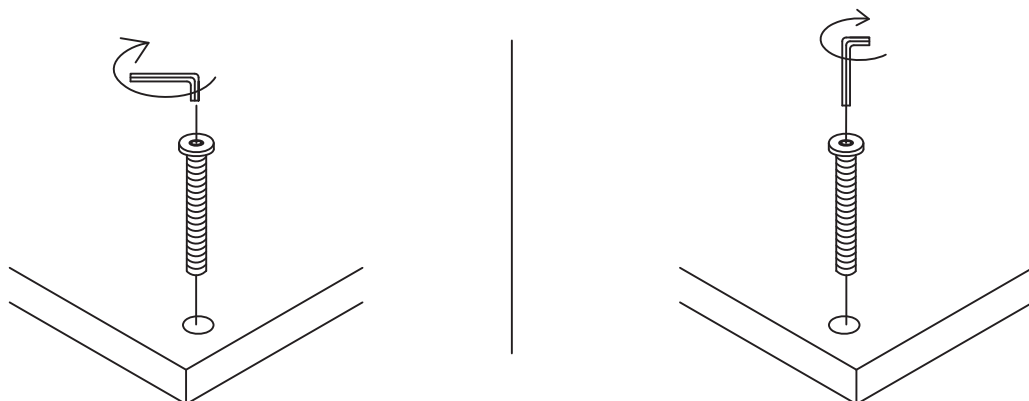
- (1) FILL HOLE 1/4 FULL OF GLUE.
- (2) GENTLY TAP DOWEL INTO HOLE WITH RUBBER MALLET OR USE HAND PRESS IN.  
DO NOT USE HAMMER
- (3) WIPE AWAY EXCESS GLUE.



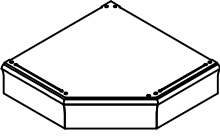
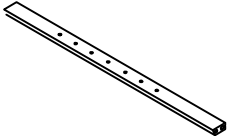
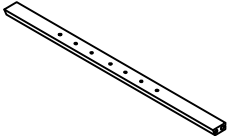
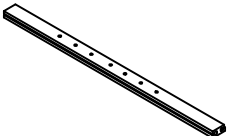
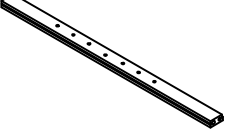
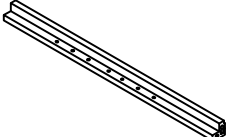
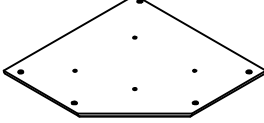
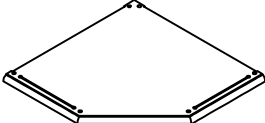
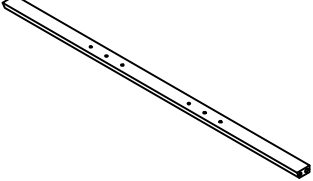
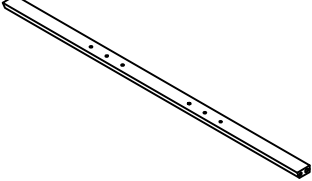
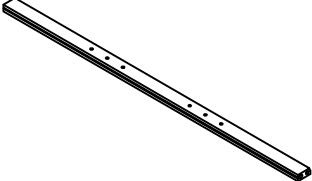
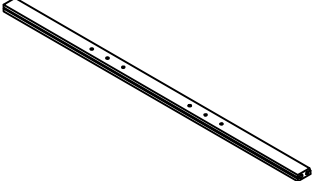
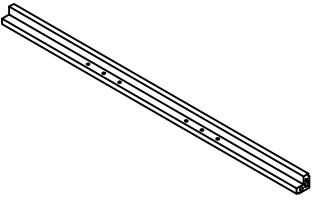
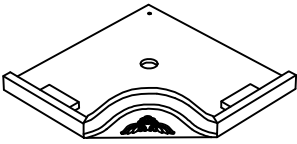

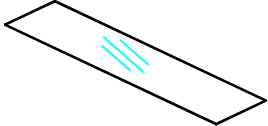
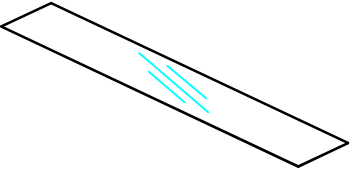
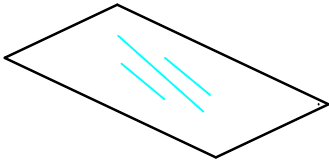
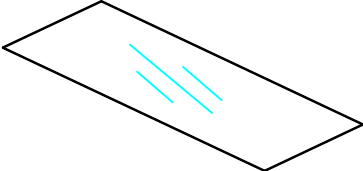
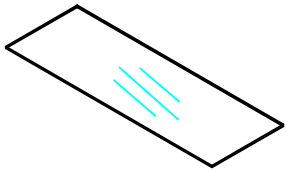
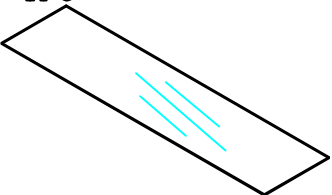
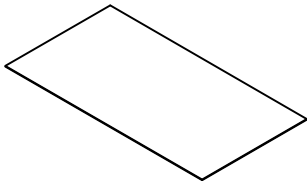
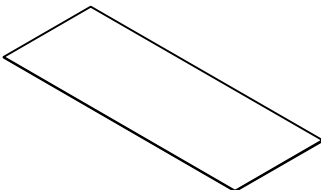
## HIDDEN CONNECTOR.....ASSEMBLY TECHNIQUES






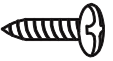
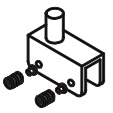
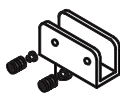

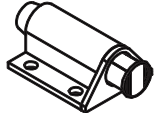











## MACHINE SCREW INSTALLATION PROCEDURE






# Parts List

<p>1: Bottom Frame -1Pc</p> 	<p>2: Lower Left Front Corsspiece -1Pc</p> 	<p>3: Lower Right Front Corsspiece -1Pc</p> 	<p>4: Lower Left Back Corsspiece -1Pc</p> 
<p>5: Lower Right Back Corsspiece -1Pc</p> 	<p>6: Lower Back Pole -1Pc</p> 	<p>7: Lower Top Panel -1Pc</p> 	<p>8: Upper Bottom Panel -1Pc</p> 
<p>9: Upper Left Front Crosspiece -1Pc</p> 	<p>10: Upper Right Front Crosspiece -1Pc</p> 	<p>11: Upper Left Back Crosspiece -1Pc</p> 	<p>12: Upper Right Crosspiece -1Pc</p> 
<p>13: Upper Back Pole -1Pc</p> 	<p>14: Upper Top Frame -1Pc</p> 	<p>15: Glass Shelves -4Pcs</p> 	<p>16: Lower Side Glass -2Pcs</p> 
<p>17: Upper Side Glass -2Pcs</p> 	<p>18: Lower Back Mirror -2Pcs</p> 	<p>19: Upper Back Mirror -2Pcs</p> 	<p>20: Lower Door Glass -1Pc</p> 
<p>21: Upper Door Glass -1Pc</p> 	<p>22: Lower Back Panel -2Pcs</p> 	<p>23: Upper Back Panel -2Pcs</p> 	

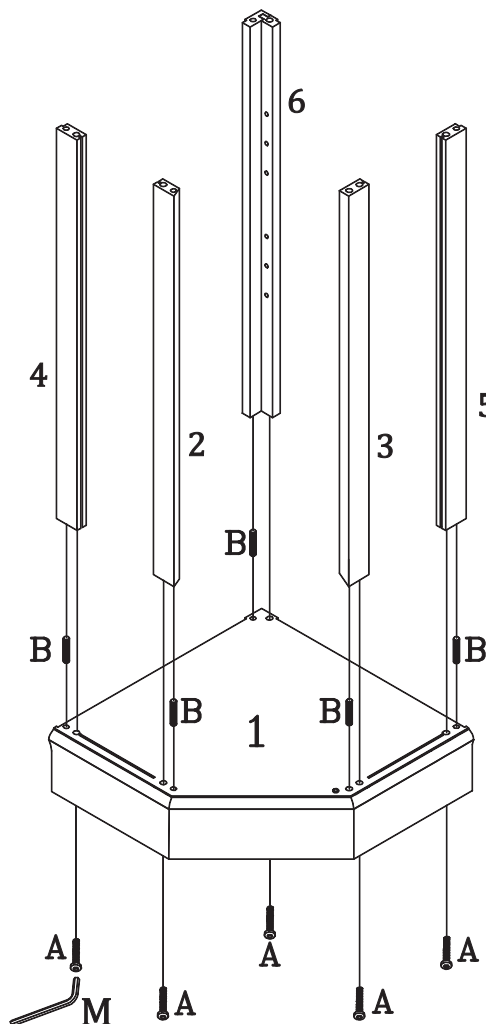
# Hardware List

<b>A: Machine Screw 20Pcs</b>  $\phi 1/4" \times 1 1/8"$	<b>B: Wood Dowel 20Pcs</b>  $\phi 8 \times 30 \text{mm}$	<b>C: Flat head Screw 2Pcs</b>  $\phi 3 \times 12 \text{mm}$	<b>D: Round Head Screw 68Pcs</b>  $\phi 3 \times 12 \text{mm}$	<b>E: Door Clip A 2Sets</b> 
<b>F: Door Clip B 2Sets</b> 	<b>G: Metal Clip 2Sets</b> 	<b>H: Magnet 2Pcs</b> 	<b>I: Shelf Support 20Pcs</b> 	<b>J: Banana Lamp 1Pc</b> 
<b>K: Wood Dowel 2Pcs</b>  $\phi 8 \times 20 \text{mm}$	<b>L: Machine Screw 2Pcs</b>  $\phi 1/4" \times 3/4"$	<b>M: Allen Wrench 1Pc</b> 	<b>N: Safety Wall Strap 2Pcs</b> 	<b>O: Plastic Anchor 2Pcs</b> 
<b>P: Mounting Screw 2Pcs</b>  $\phi 4 \times 38 \text{mm}$	<b>Q: Washer 4Pcs</b> 	<b>R: Lamp Bulb 1Pc</b>  120V 4W Type T Bulb	<b>S: Glue 1Pc</b> 	





## STEP 1

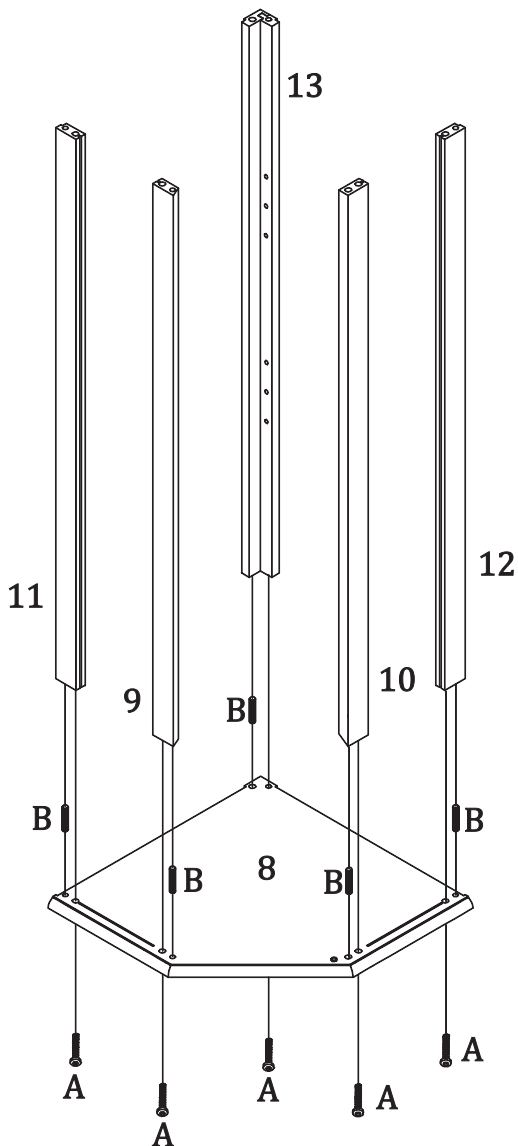
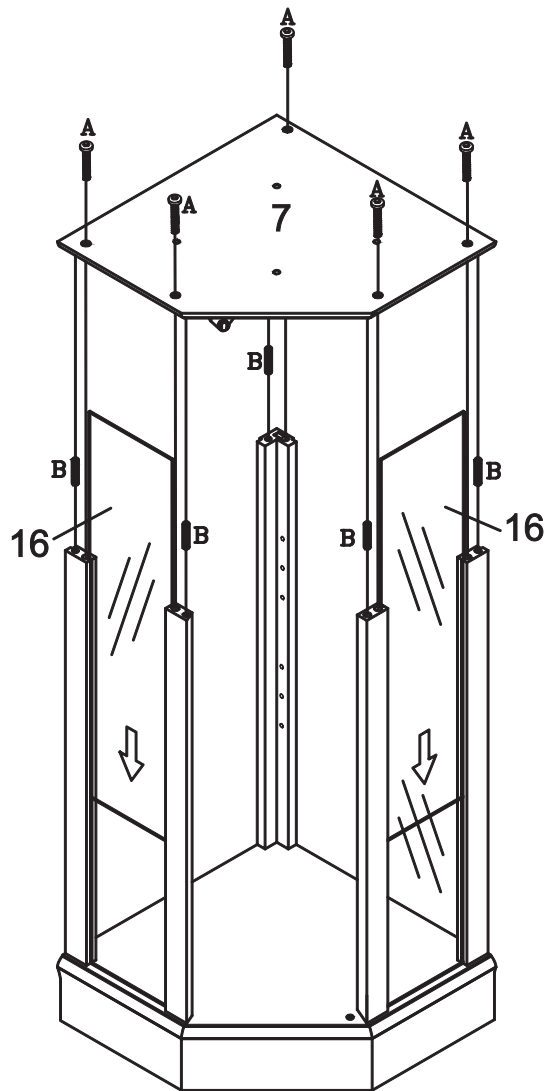
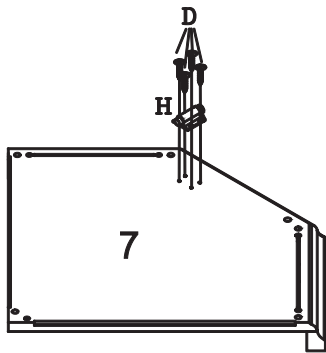
A		5
B		5
M		1

Put the bottom frame on a worktable in horizontal, keep the crosspieces stand on the base, then to assemble it.





## STEP 2

A		5
B		5
D		4
H		1










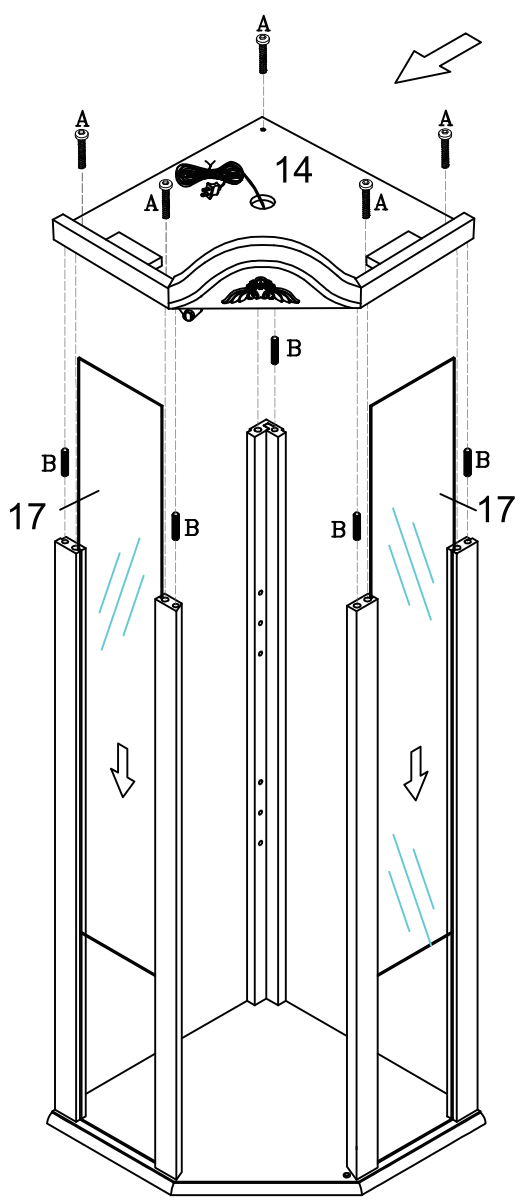
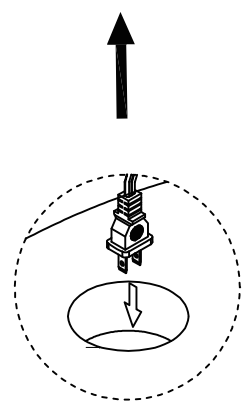
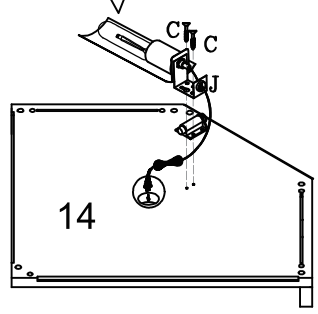
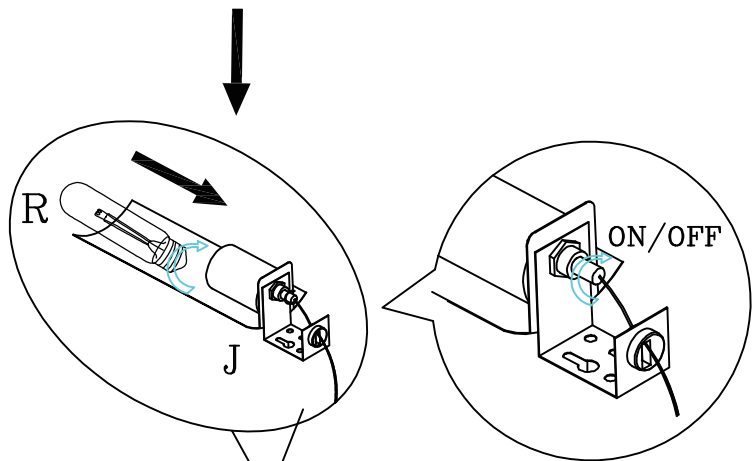
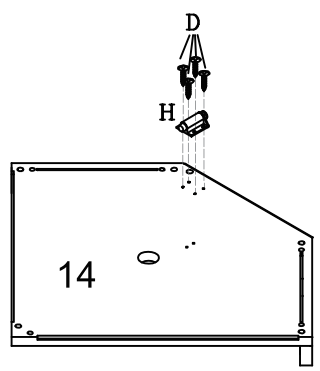
## STEP 3

A		5
B		5




Put the upper bottom panel on a worktable in horizontal, keep the crosspieces stand on the base, then to assemble it.

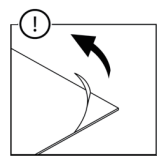
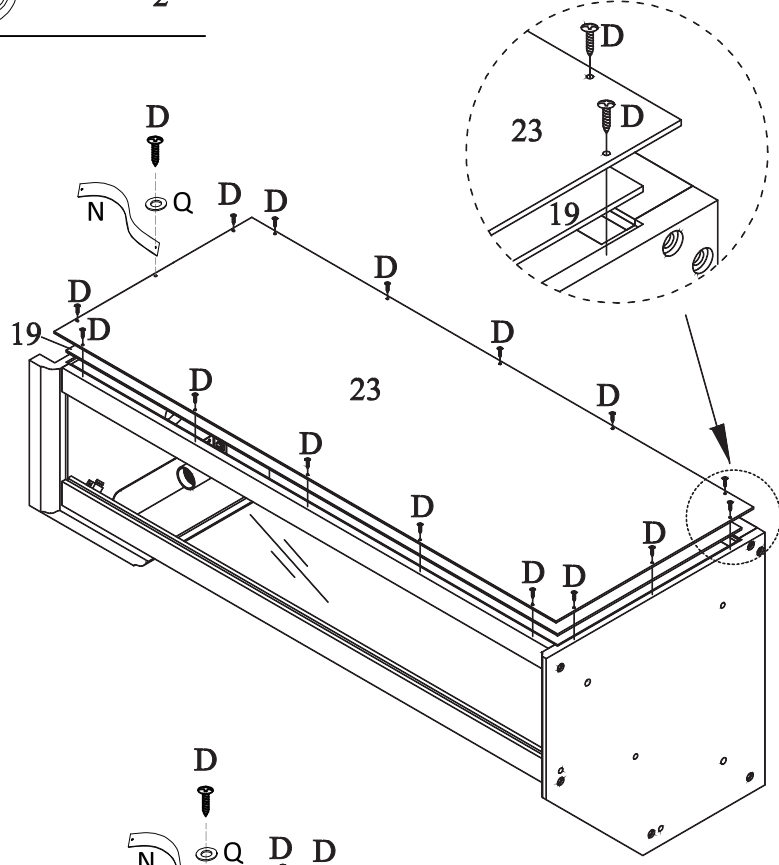
# STEP 4

A		5
B		5
C		2
D		4
H		1
J		1
R		1

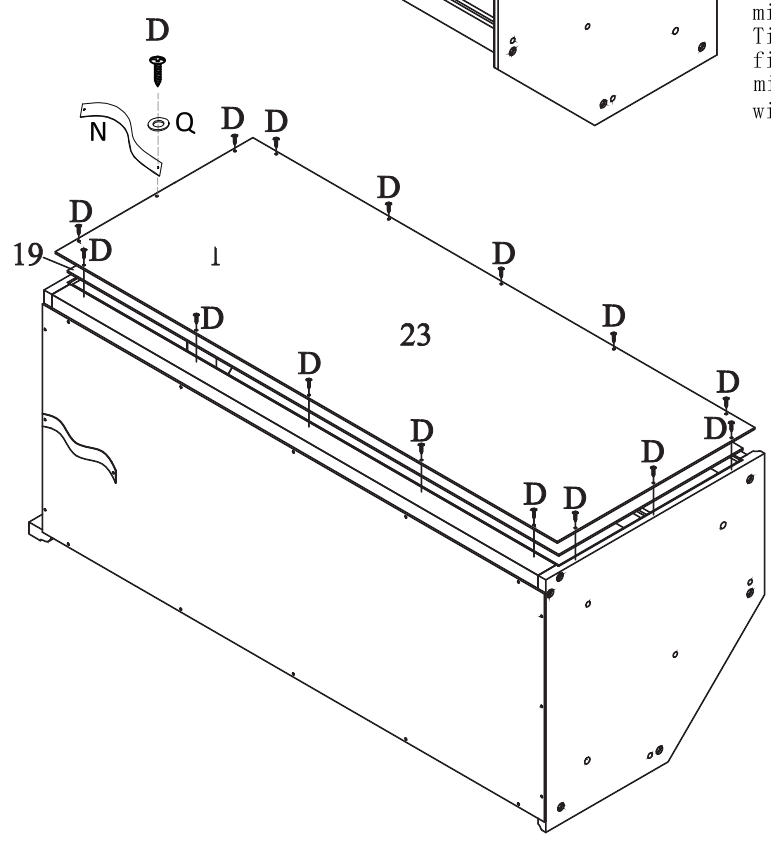


# STEP 5

D		32
N		2
Q		2



Remove protective film on the mirror panel.  
 Tips: First remove protective film on the #19 upper back mirror, then you can assemble with #23 upper back panel

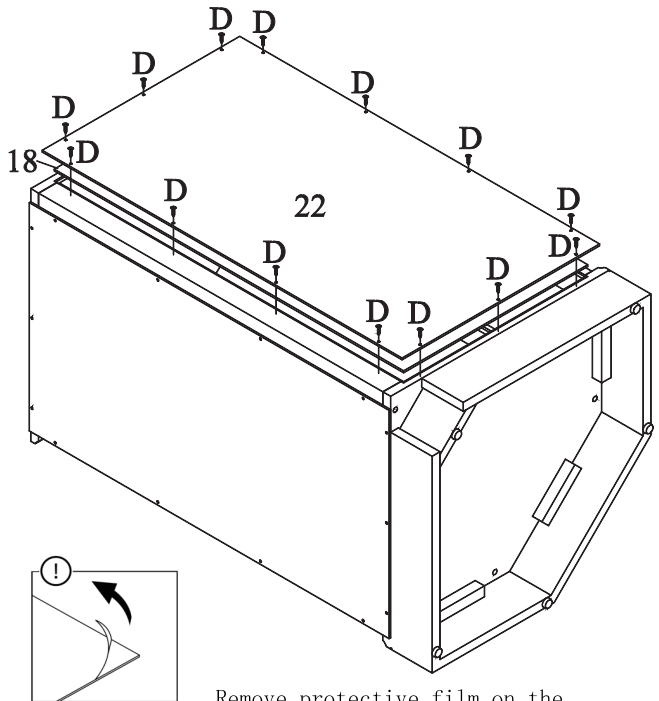
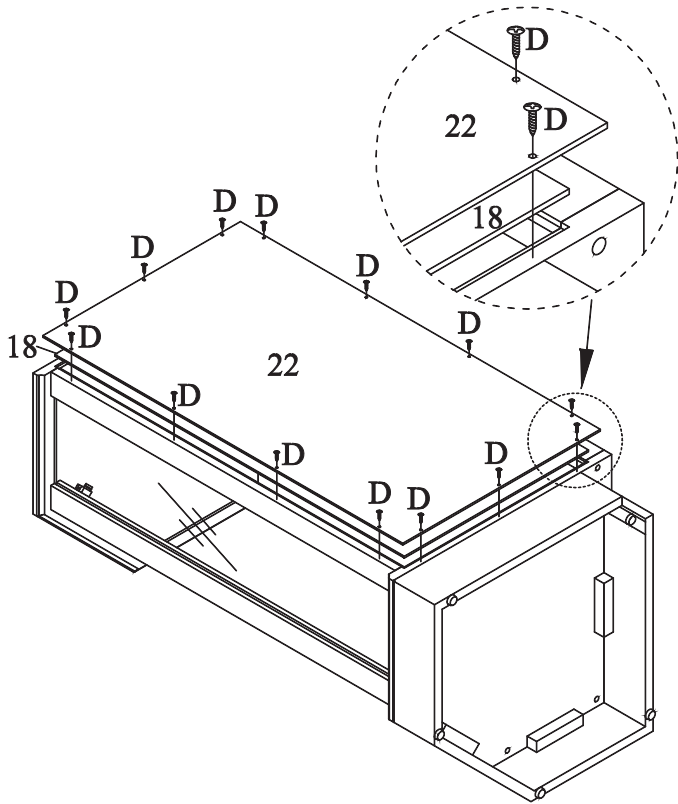


## STEP 6

D



28



## STEP 7

L

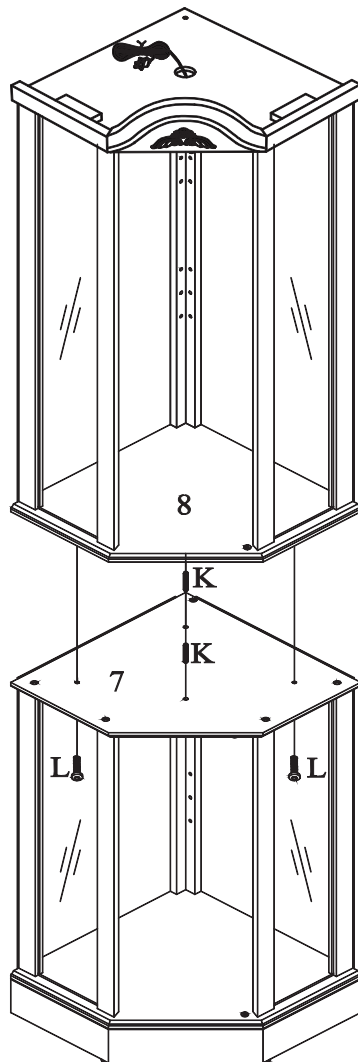


2

K






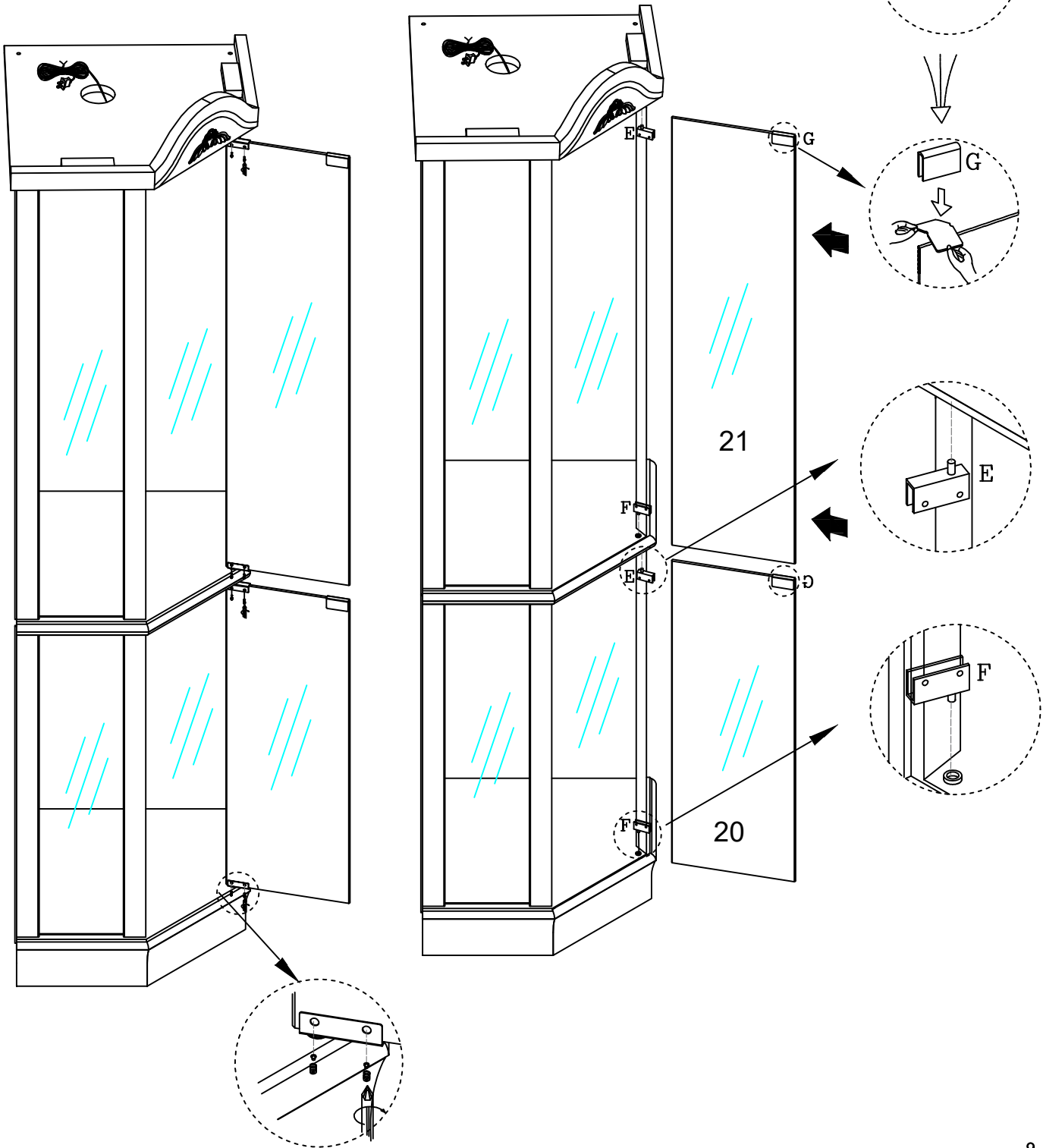
2



Remove protective film on the mirror panel.  
 Tips: First remove protective film on the #18 upper back mirror, then you can assemble with #22 upper back panel

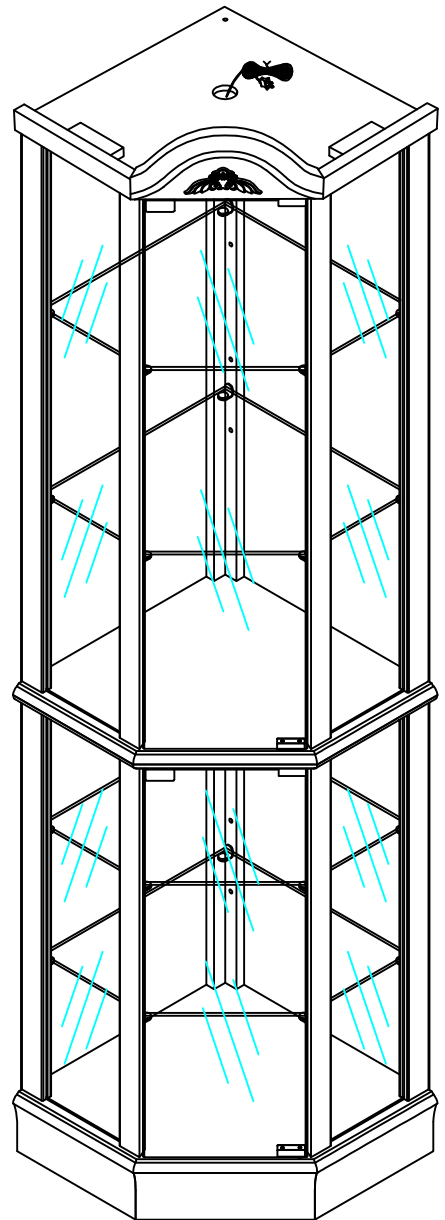
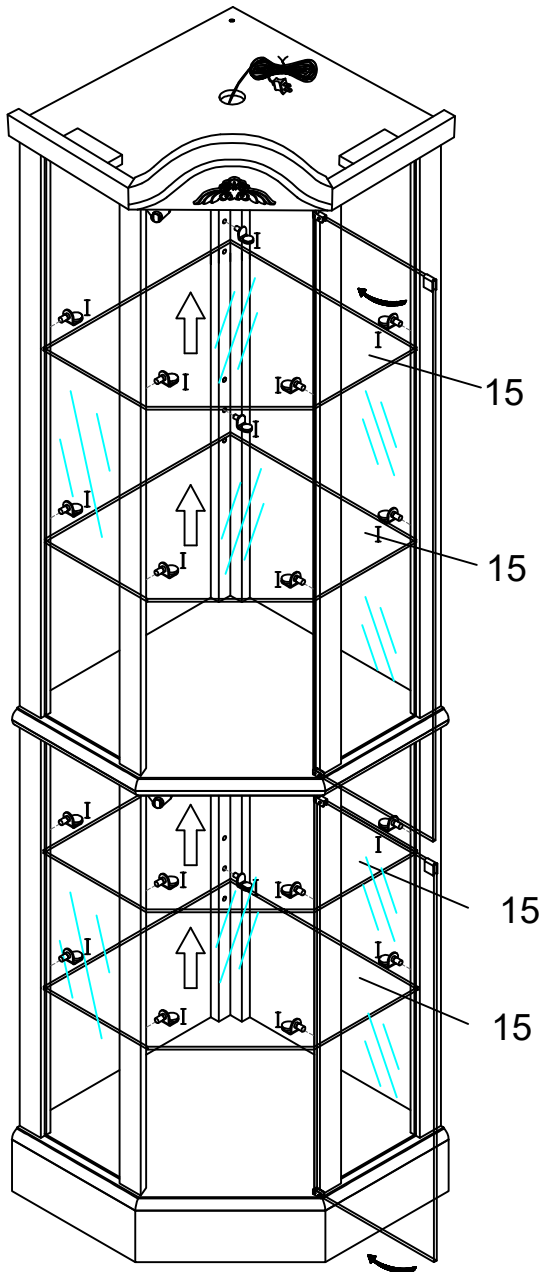
# STEP 8

E		2
F		2
G		2

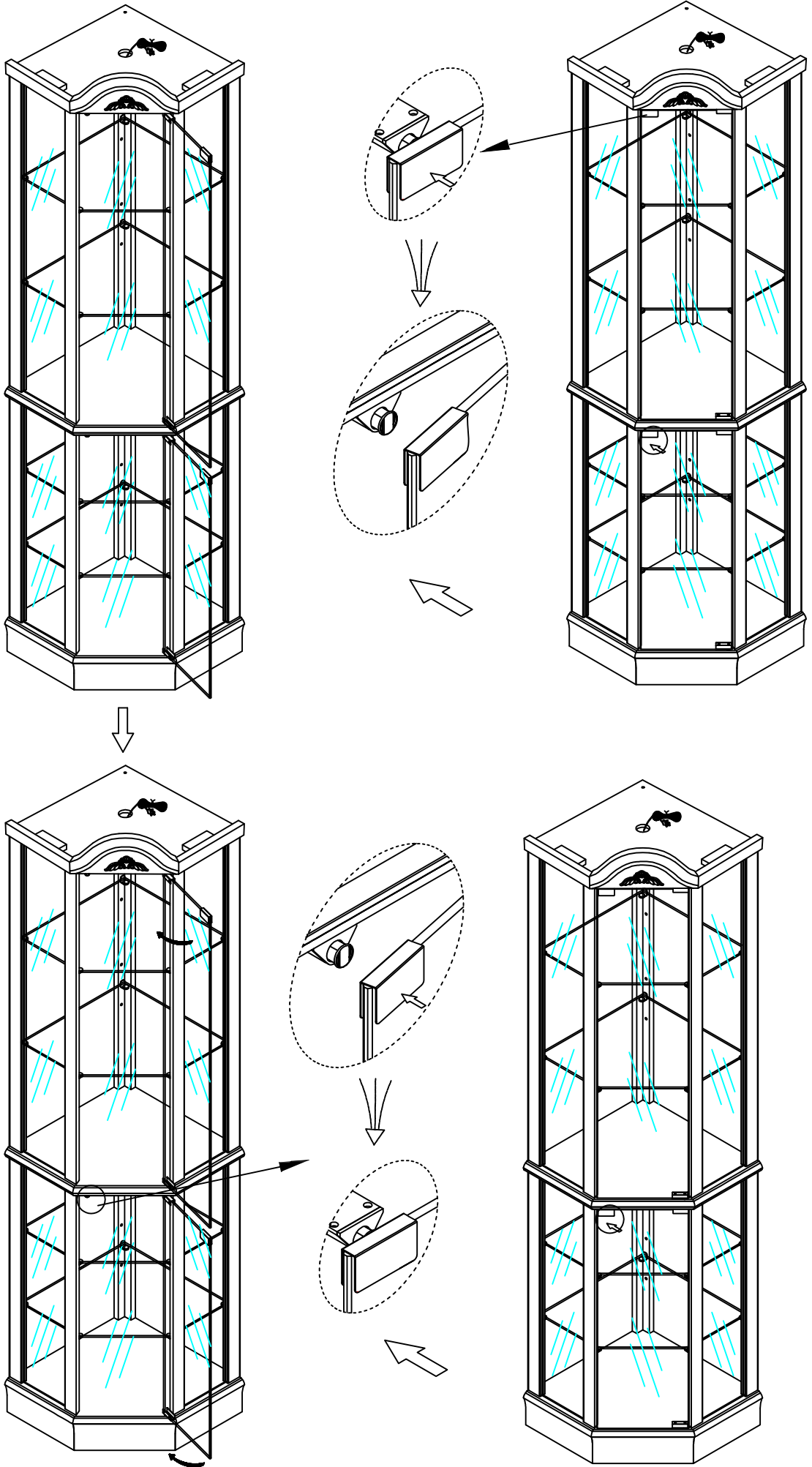


# STEP 9




I		20
---	---	----



STEP 10



# STEP 11

O		2
P		2
Q		2

