

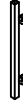
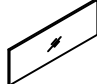

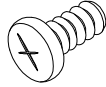


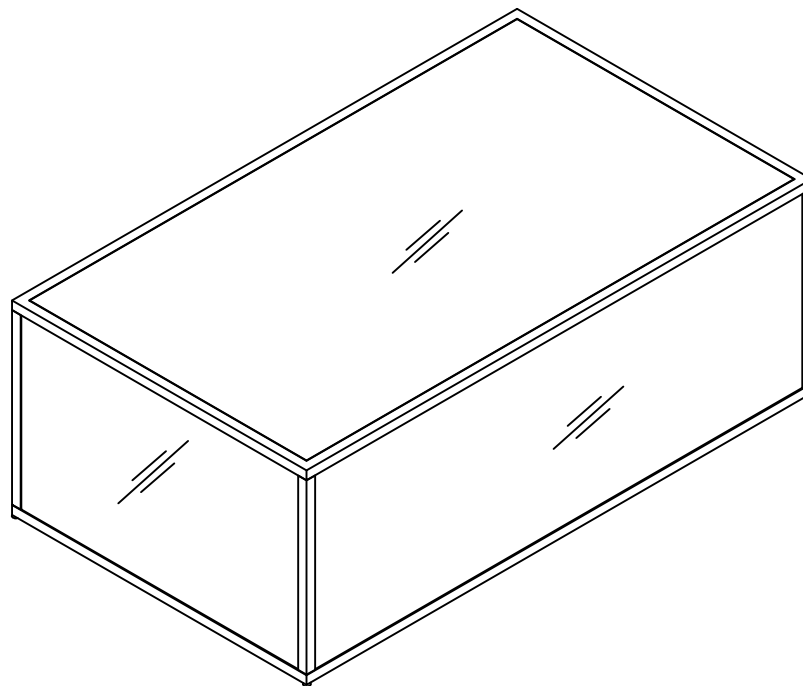


Assembly Instruction

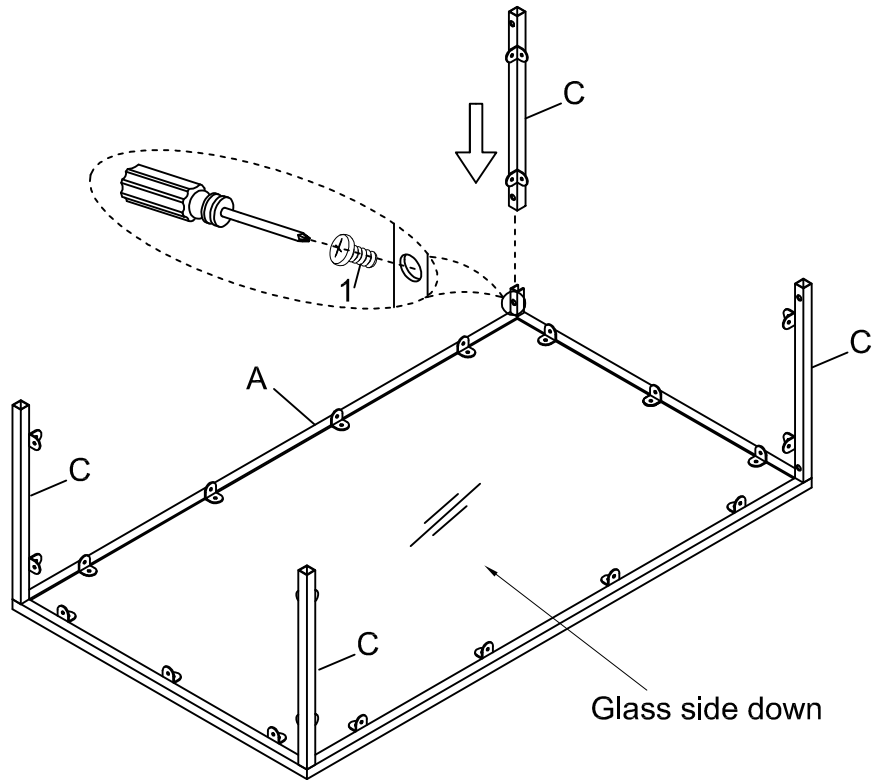
ITEM:SF- CF428

Parts List			
Item	Description	Part	Qty Pcs
A	Top Frame		1
B	Bottom Frame		1
C	RAIL		4
D	Front Plate		2
E	Side Plate		2

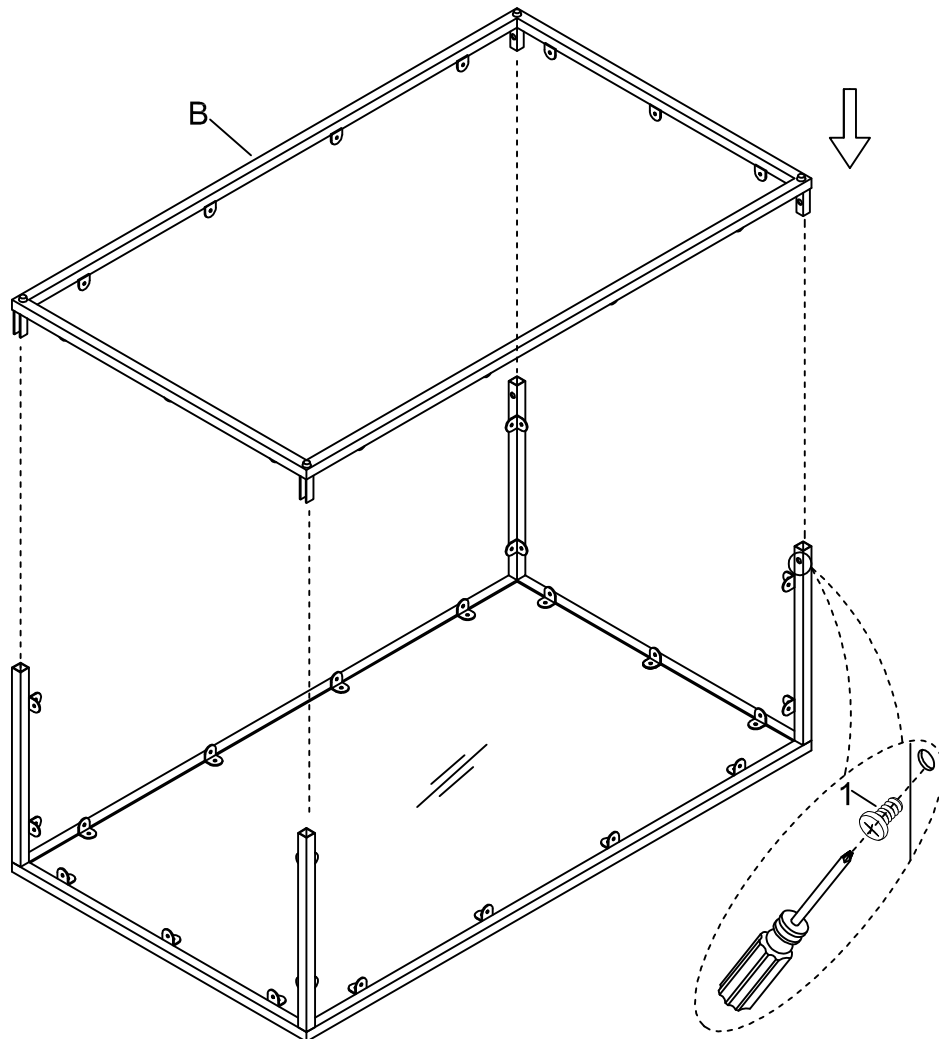
Hardware List			
Item	Description	Part	Qty Pcs
1	Bolt		8
2	Washer		8
3	Screw		44



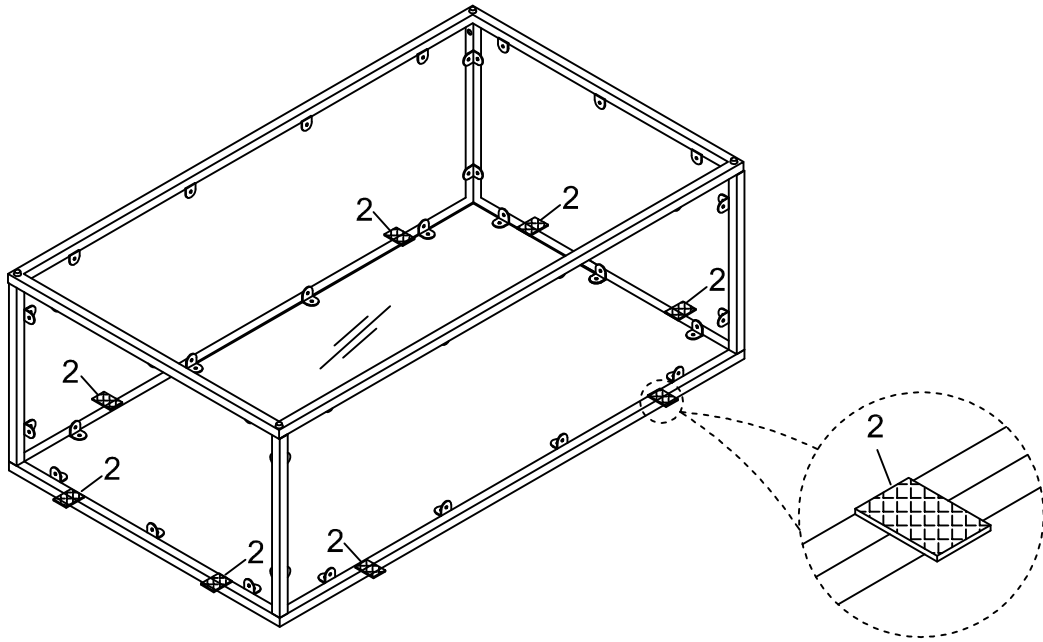
STEP 1



STEP 2

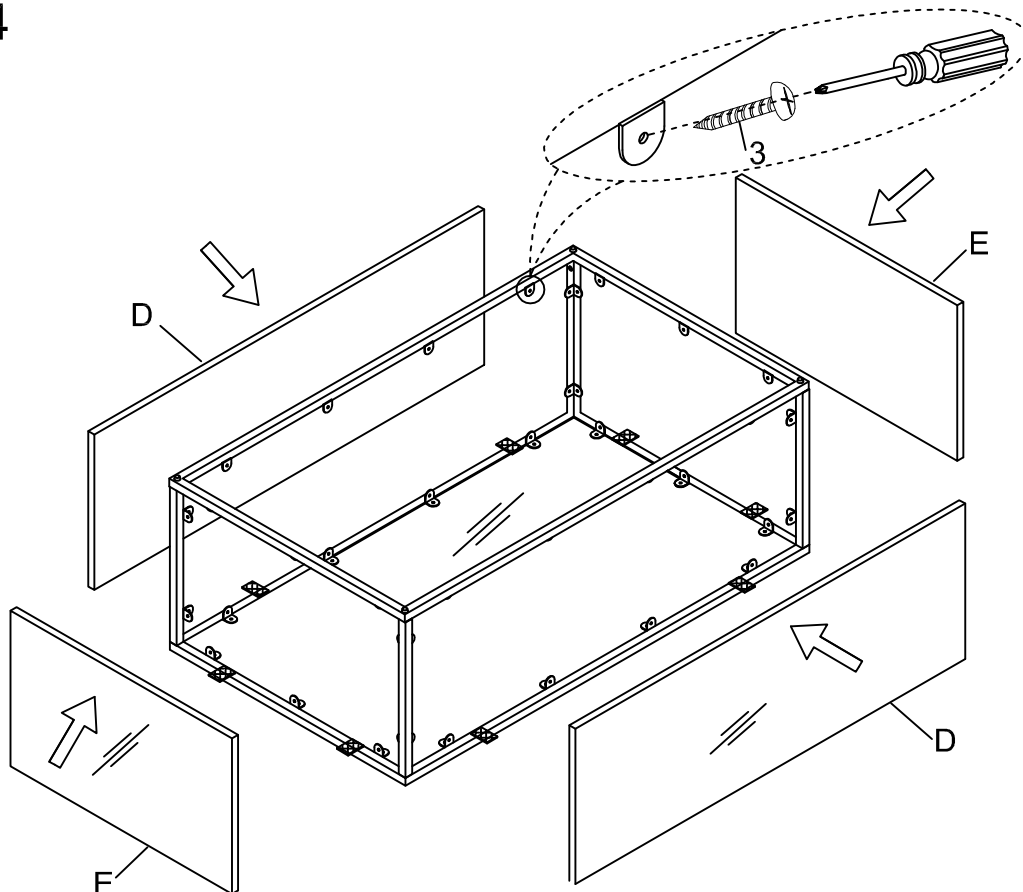


STEP 3

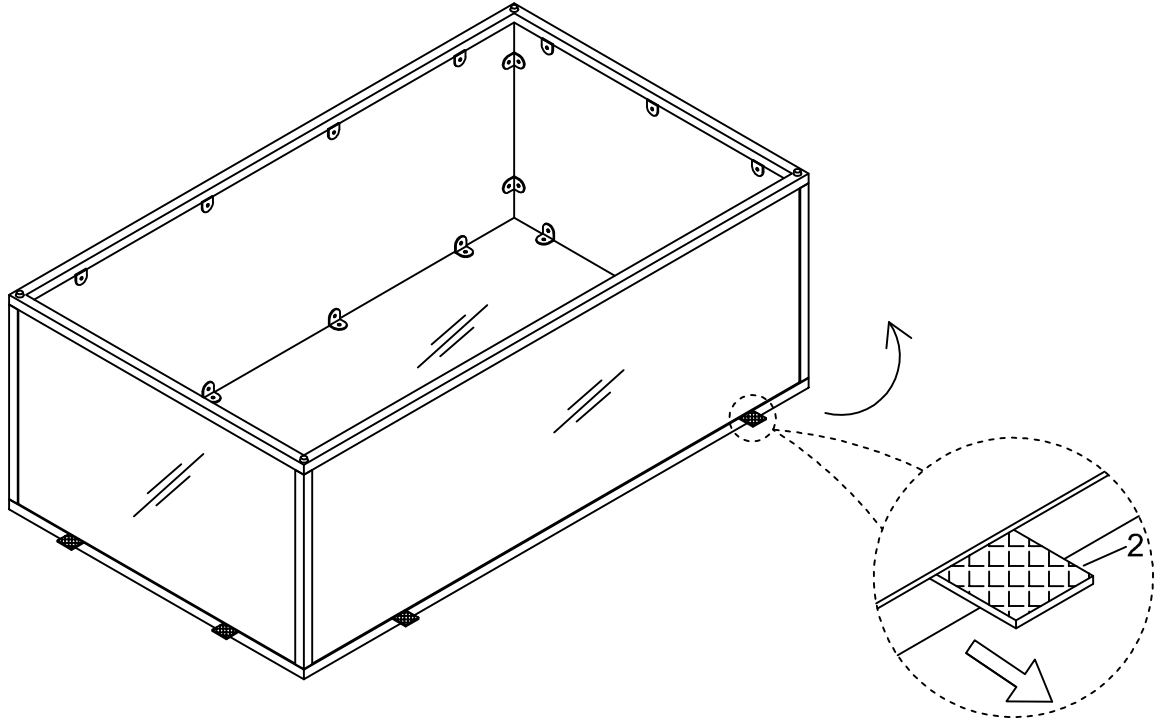


In order to prevent the glass from bumping and wearing out during installation, the Washer need to be placed in advance.

STEP 4



STEP 5



After installing all the glass, the Washer need to be pulled out from the outside.

Finish

