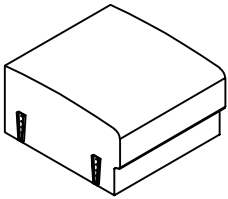


USE AND MAINTENANCE

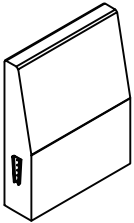
- Use on level surfaces only
- Because this product needs assembly, it is prone to working itself loose from time to time depending on the use. Please take the time to check that all connections are still tight and working properly for safety.
- Only clean using a damp cloth and mild detergent, do not use bleach or abrasive cleaners.

Living Room Accent Chair

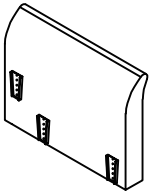
PART LIST



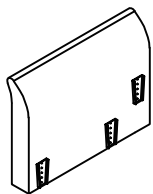
1 - Chair Base x1



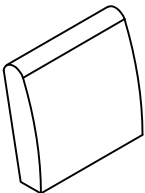
2 - Back x1



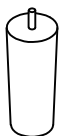
3 - Right Armrest x1



4 - Left Armrest x1

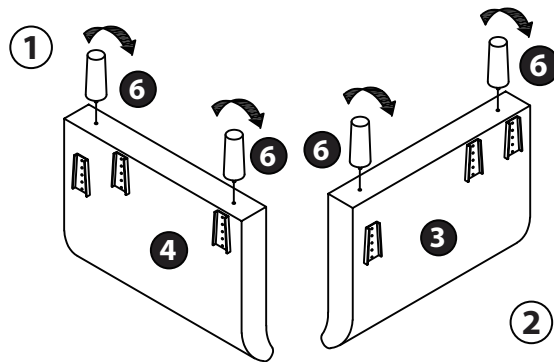


5 - Back Cushion x1

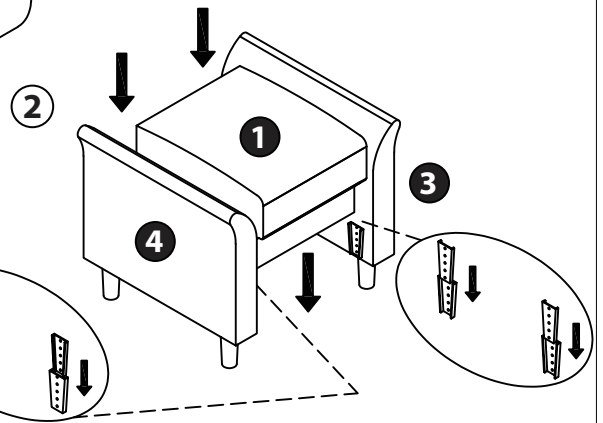


6 - Leg x4

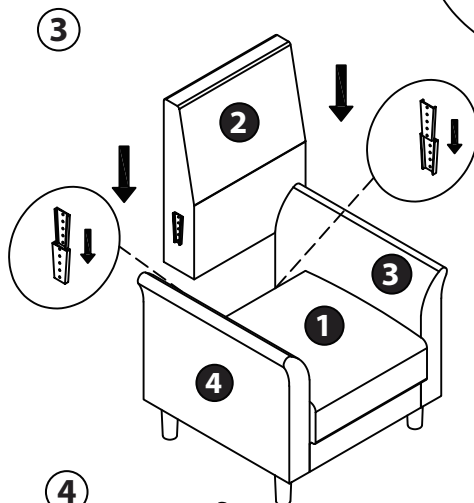
Assembly Instructions



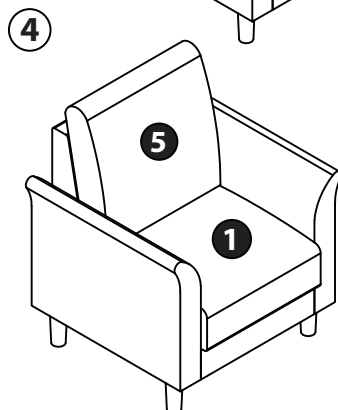
Turn 3 and 4 over. Insert 6(x2) into 4. Repeat for 3.



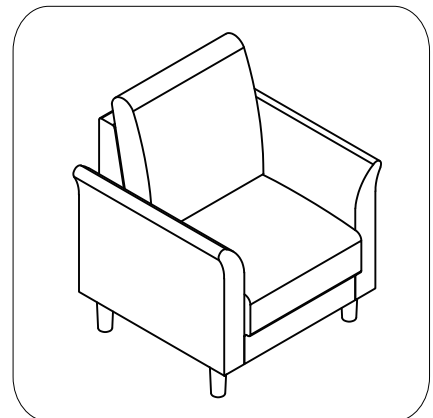
Select 4 and insert into hole in 1 to hand tighten. Repeat for 3.



Select 2 and insert into hole of 1 to hand tighten.



Put 5 on 1.



Congratulations! Setup of your new Living Room Accent Chair is Complete! Keep these instructions for future reference.