

ASSEMBLY INSTRUCTION

LOVE SEAT

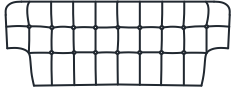
A Back Frame

B Seat Frame

C Left Panel

D Right Panel

E Leg



1pc



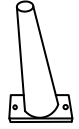
1pc



1pc



1pc



2pcs

F Leg

G Bolt

H Allen Key

I Cap



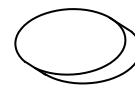
2pcs



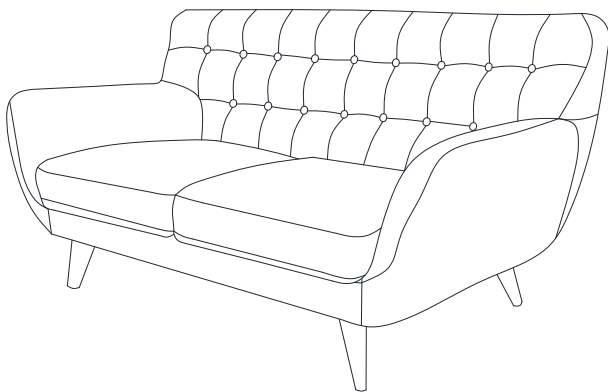
8pcs



1pc

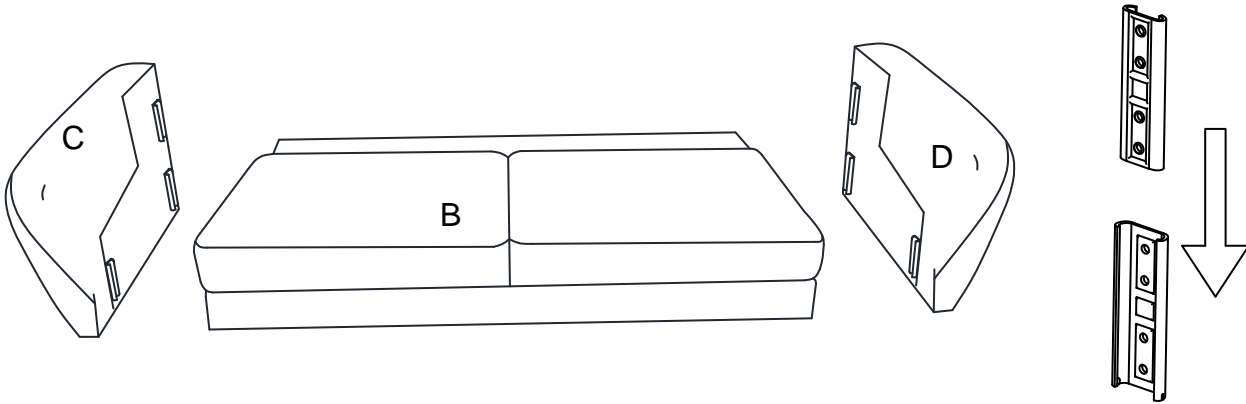


4pcs

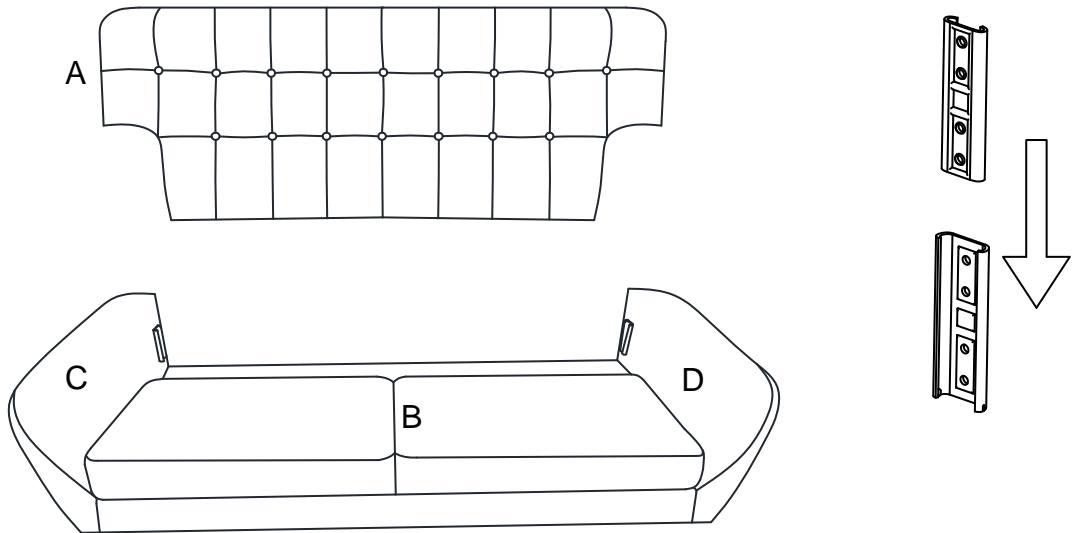


This page lists all the contents included in the box. Please take the time to identify the hardware as well as the individual components to this product. As you unpack and prepare for assembly, place the contents on a carpeted or padded area to protect them from damage

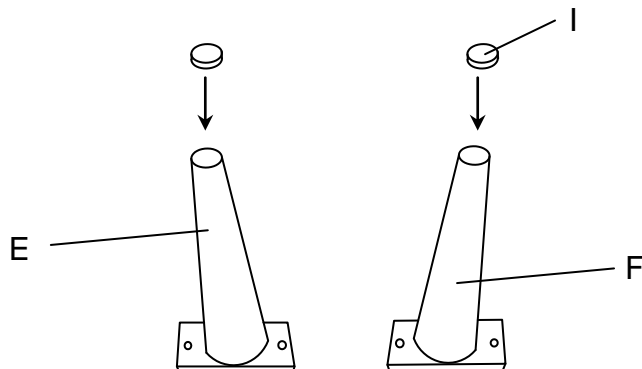
1 Hook on the Left Panel (C) & Right Panel (D) to Seat Frame (B) properly.



2 Hook on the Back Frame (A) to Left Panel (C) & Right Panel (D) properly.

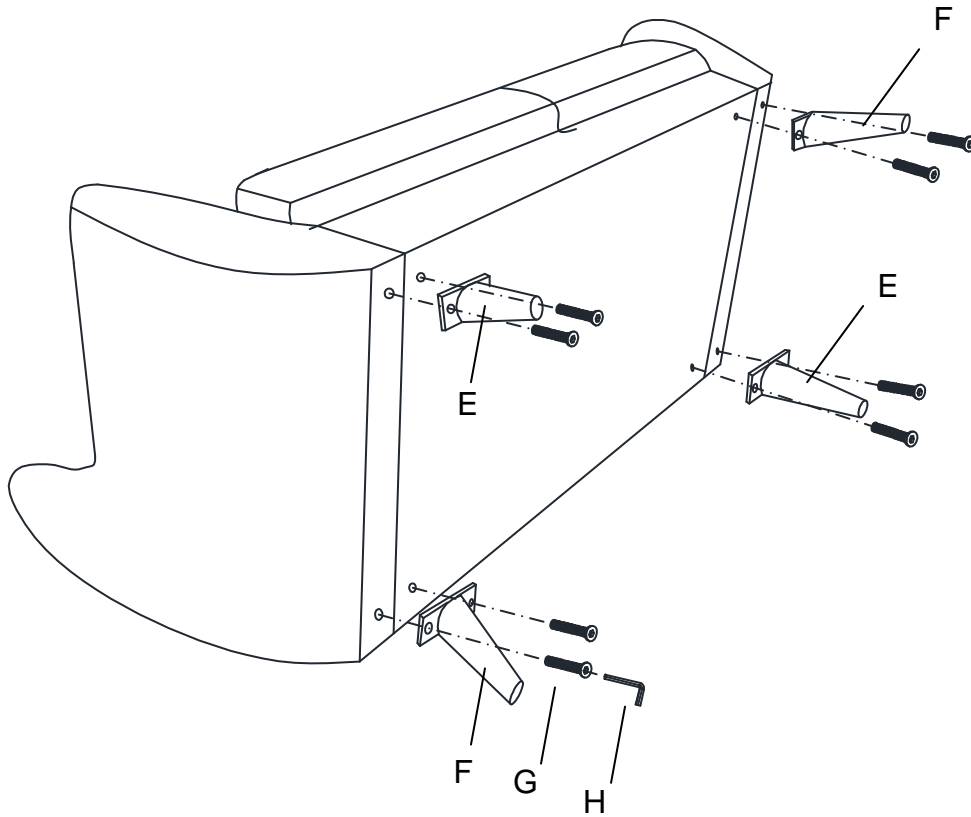


3 Put the Cap(I) on the bottom of Leg(E) & (F).



4

Assemble Leg(E) & (F) to the bottom of Seat with Bolt(G) by Allen Key (H).



Cleaning & Care

Treat surface with care. Surface is resistant to scratches but is not scratch resistant. Clean surfaces with a dry or damp soft cloth. Do not use abrasive cleaners. Hardware may loosen over time. Periodically check that all connections are tight