

(12) **United States Design Patent**

(45) **Date of Patent: ** Jul. 23, 2024**

(54) **COMBINED CEILING FAN WITH LIGHT**

(**) Term: **15 Years**

(22) Filed: **Jun. 8, 2023**

(51) **LOC (14) Cl.** **23-04**

(52) **U.S. Cl.**
USPC **D23/385; D26/59**

(58) **Field of Classification Search**
USPC D26/59-92; D23/370, 377, 379, 385,
D23/411-413
CPC F21V 33/0096; F21V 29/74; F04D 25/088;
F04D 29/005; F24F 13/078; F24F
2221/02
See application file for complete search history.

D890,978 S * 7/2020 Birchler D26/88
D905,315 S * 12/2020 Li D26/81
D959,718 S * 8/2022 McRoberts
D961,834 S * 8/2022 Hoover et al.
D978,324 S * 2/2023 Lv D26/59
D983,957 S * 4/2023 Lv D26/59
2002/0163812 A1 * 11/2002 Tseng F21V 21/03
362/404

FOREIGN PATENT DOCUMENTS

* 6/2023

OTHER PUBLICATIONS

Black Chandelier Fan with Light. Dated Mar. 24, 2023. Found online [Jul. 8, 2023].

(Continued)

(56) **References Cited**

U.S. PATENT DOCUMENTS

4,064,427 A * 12/1977 Hansen F21S 8/065
415/121.3
D385,026 S * 10/1997 Liu D23/385
D438,664 S * 3/2001 Lewis D26/86
D442,316 S * 5/2001 Hsu D26/86
D535,434 S 1/2007 Fischer et al.
D632,412 S 2/2011 Pan
D697,658 S * 1/2014 Meise D26/87
D779,093 S 2/2017 Gajewski
D825,086 S * 8/2018 Holmes
D834,172 S 11/2018 Guthrie
D851,806 S * 6/2019 Richardson D26/81
D860,430 S * 9/2019 rozco D26/59
D873,458 S 1/2020 Holmes
D876,697 S * 2/2020 McRoberts D26/59
D878,540 S 3/2020 Holmes

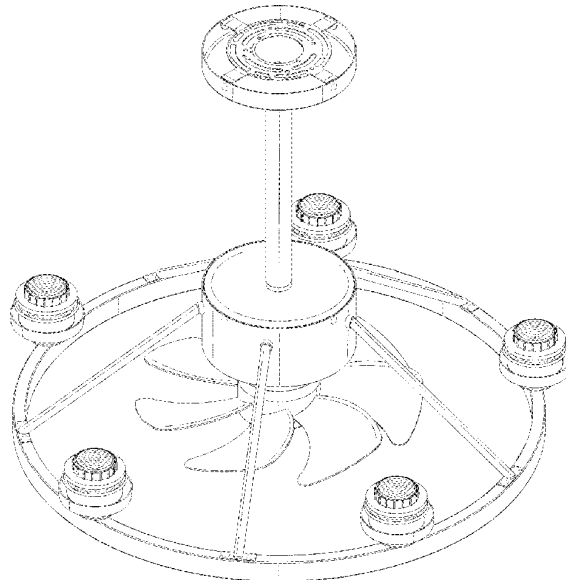
(57) **CLAIM**

The ornamental design for a combined ceiling fan with light, as shown and described.

DESCRIPTION

FIG. 1 is a top perspective view of combined ceiling fan with light showing my new design;
FIG. 2 is a front elevational view thereof;
FIG. 3 is a rear elevational view thereof;
FIG. 4 is a left view thereof;
FIG. 5 is a right view thereof;
FIG. 6 is a top plan view thereof;
FIG. 7 is a bottom plan view thereof; and,
FIG. 8 is a bottom perspective view thereof.
The broken lines illustrate portions of the combined ceiling fan with light that form no part of the claim design.

1 Claim, 8 Drawing Sheets



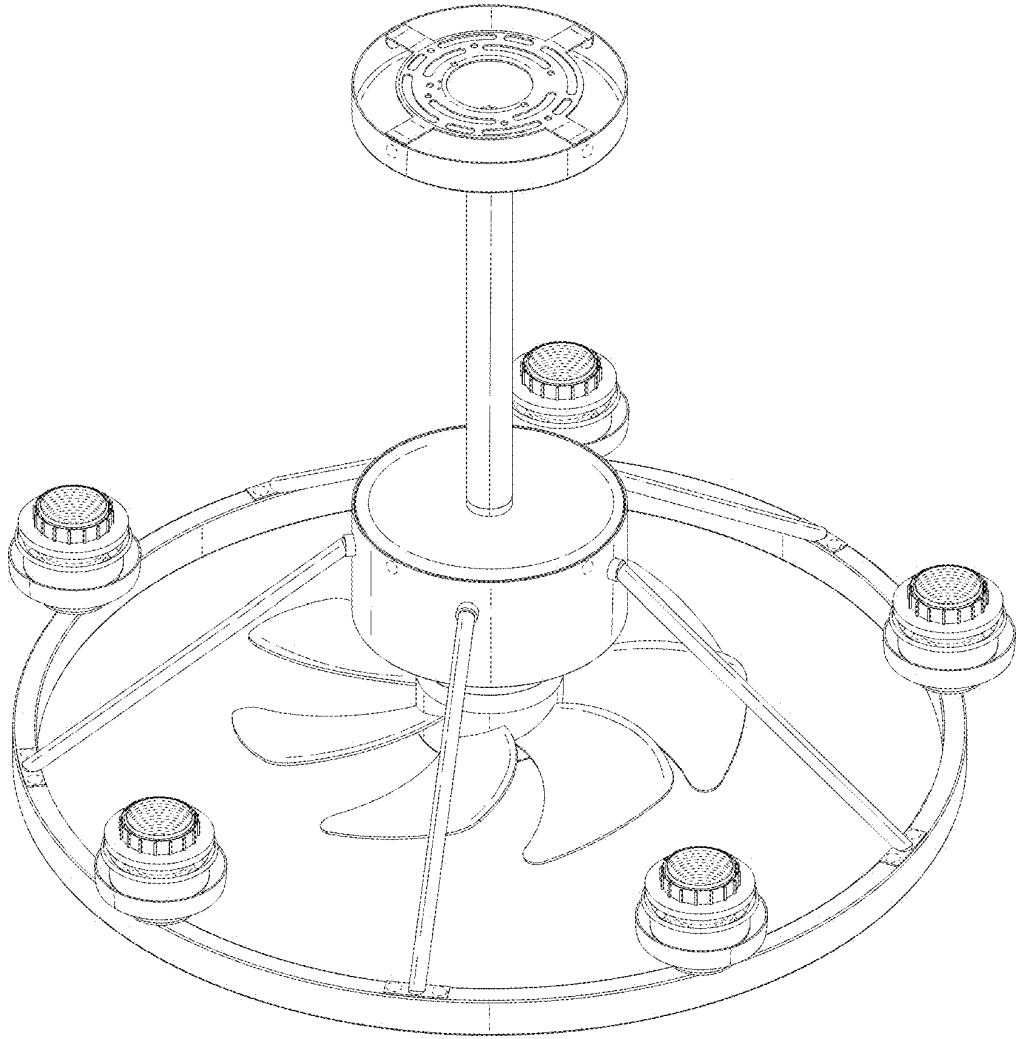


FIG.1

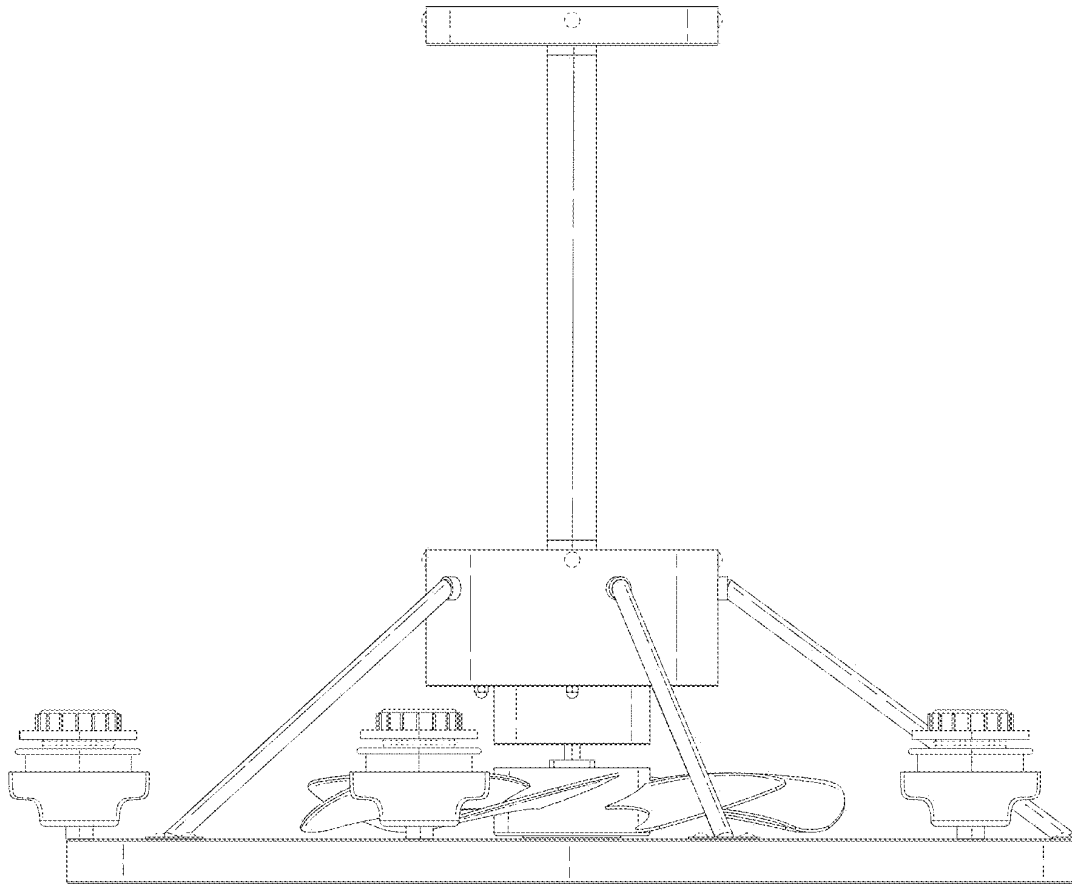


FIG.2

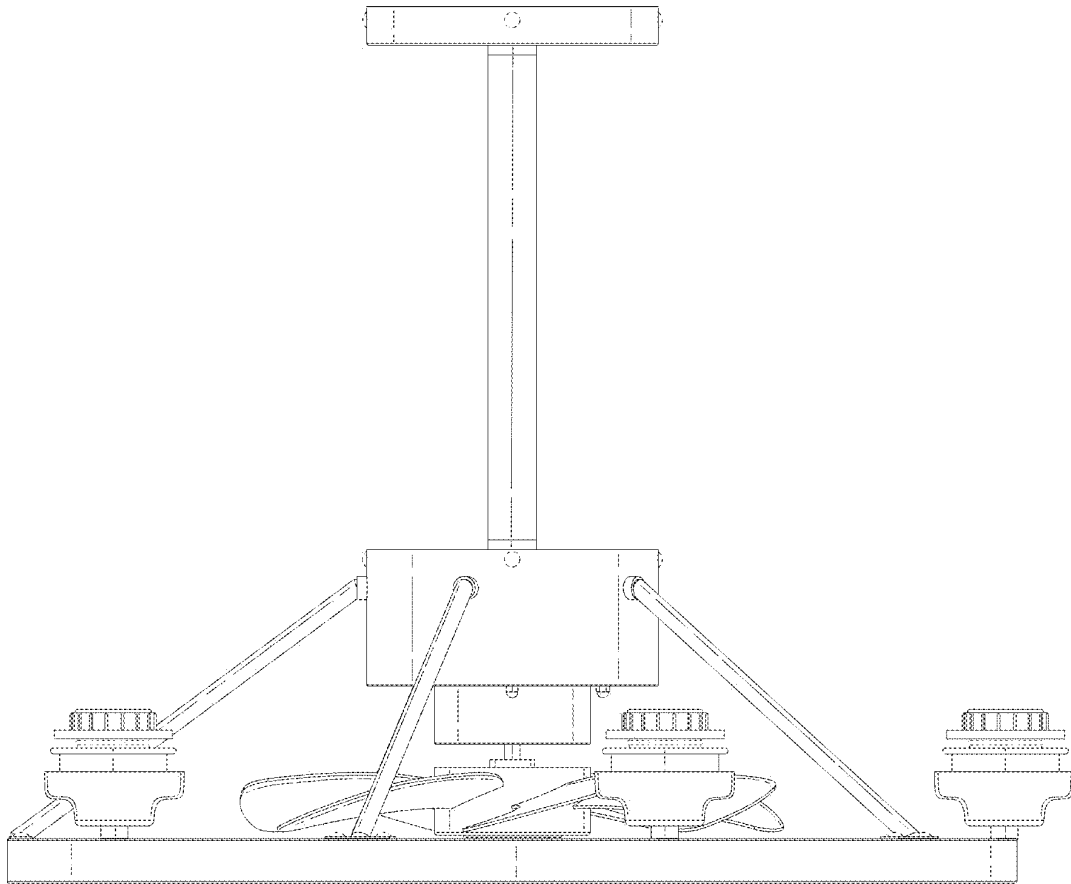


FIG.3

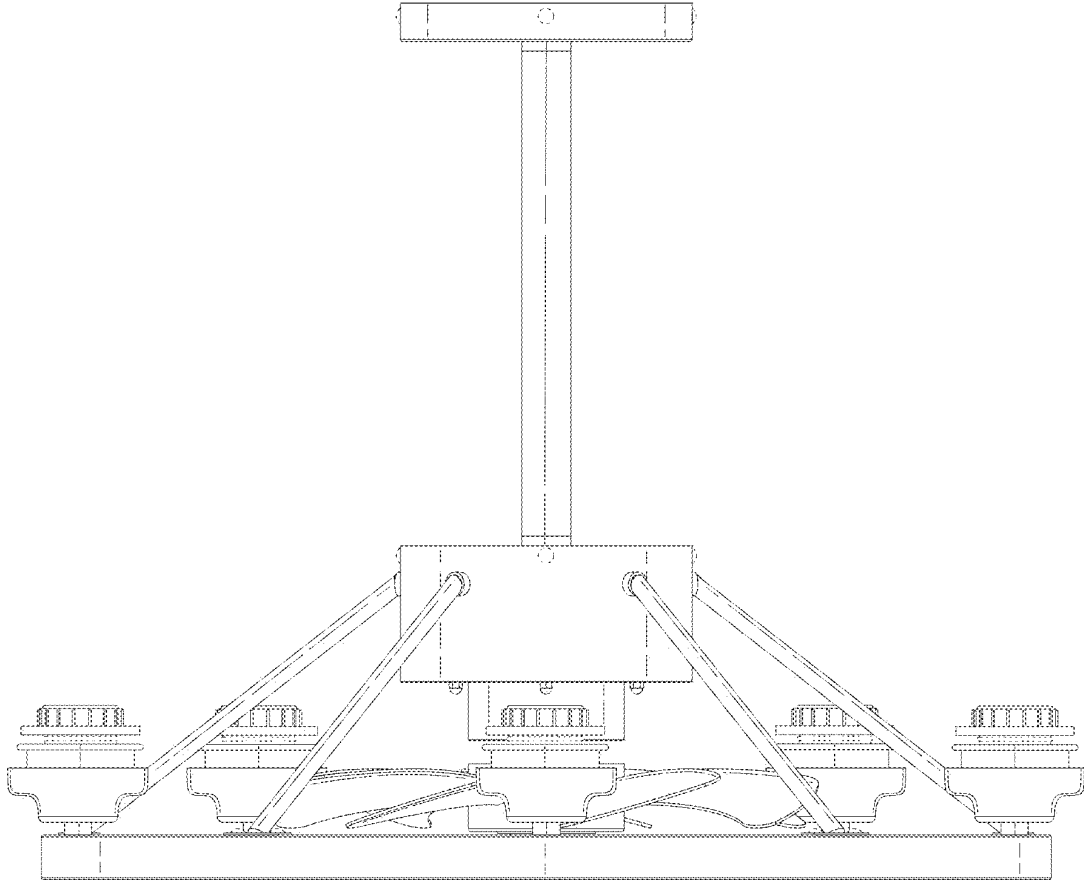


FIG.4

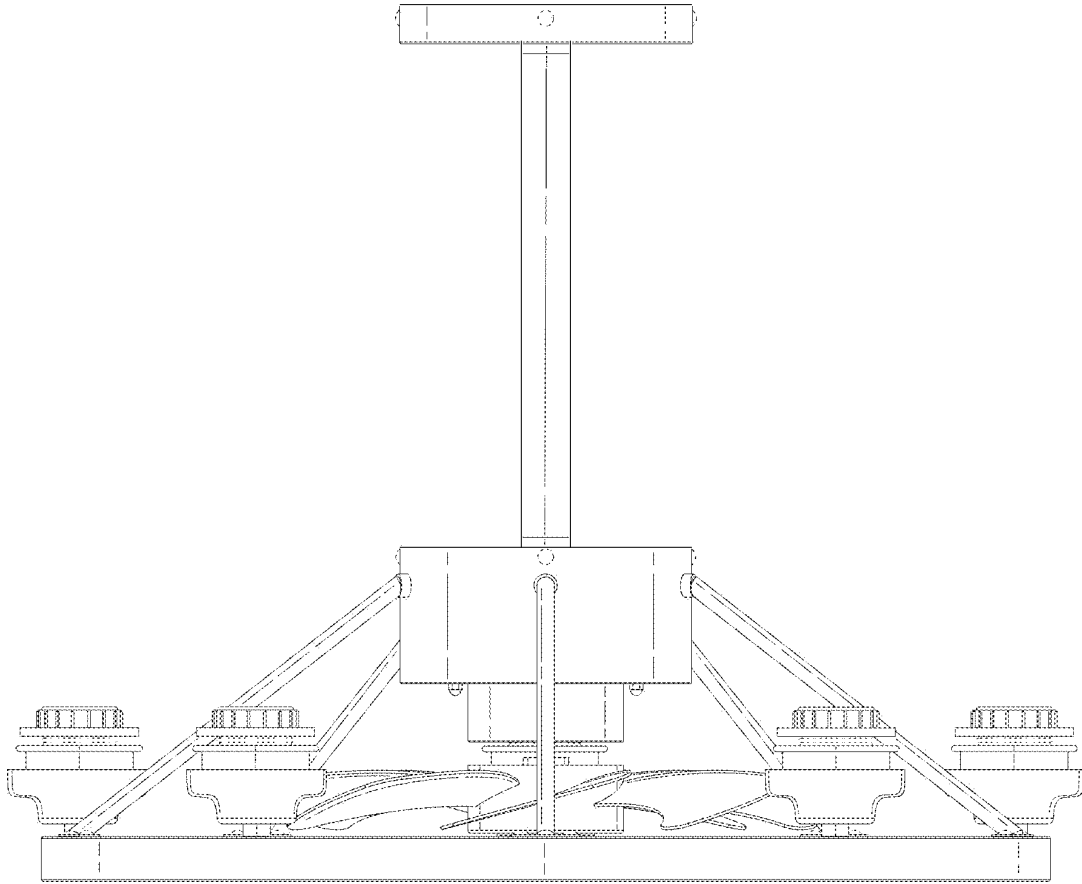


FIG.5

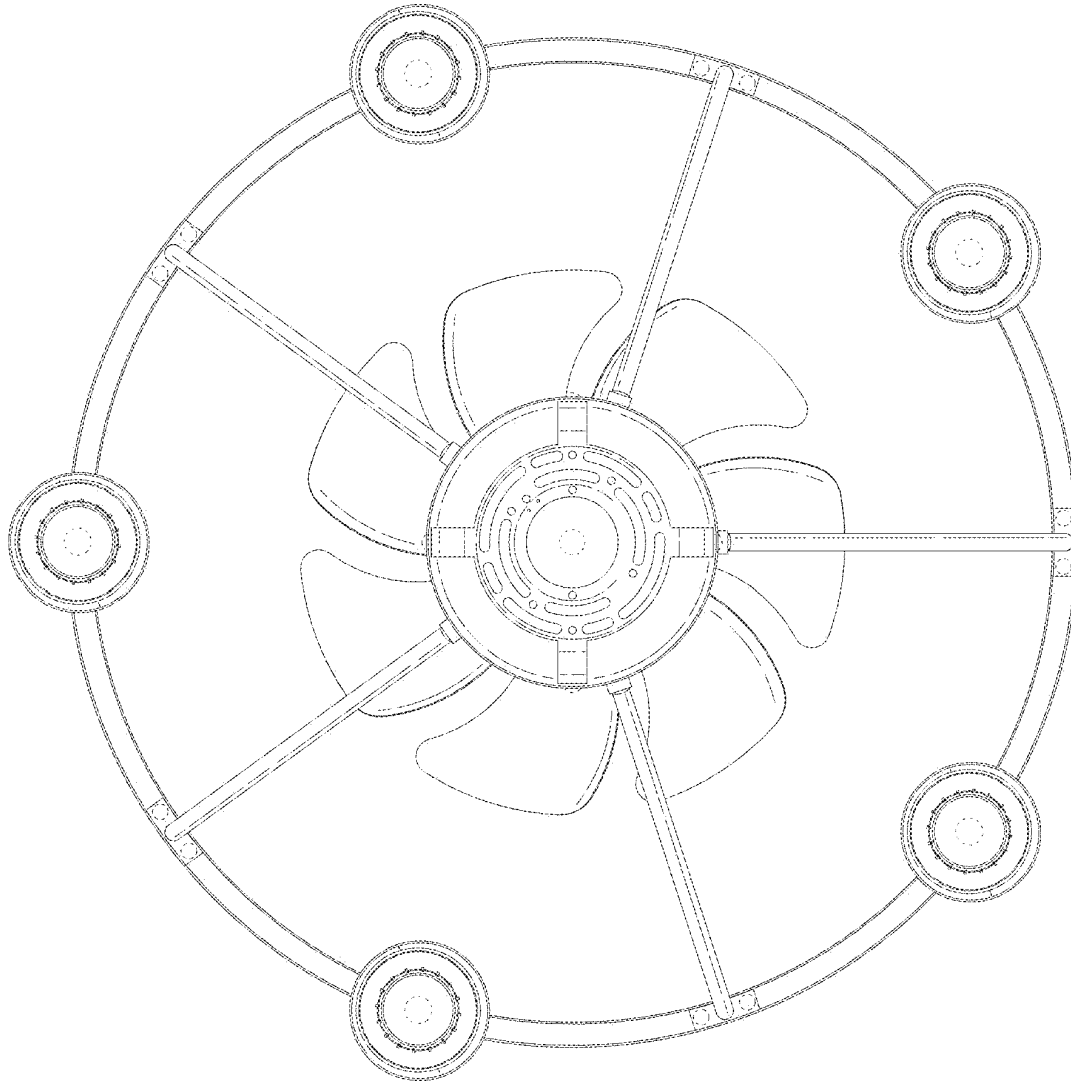


FIG.6

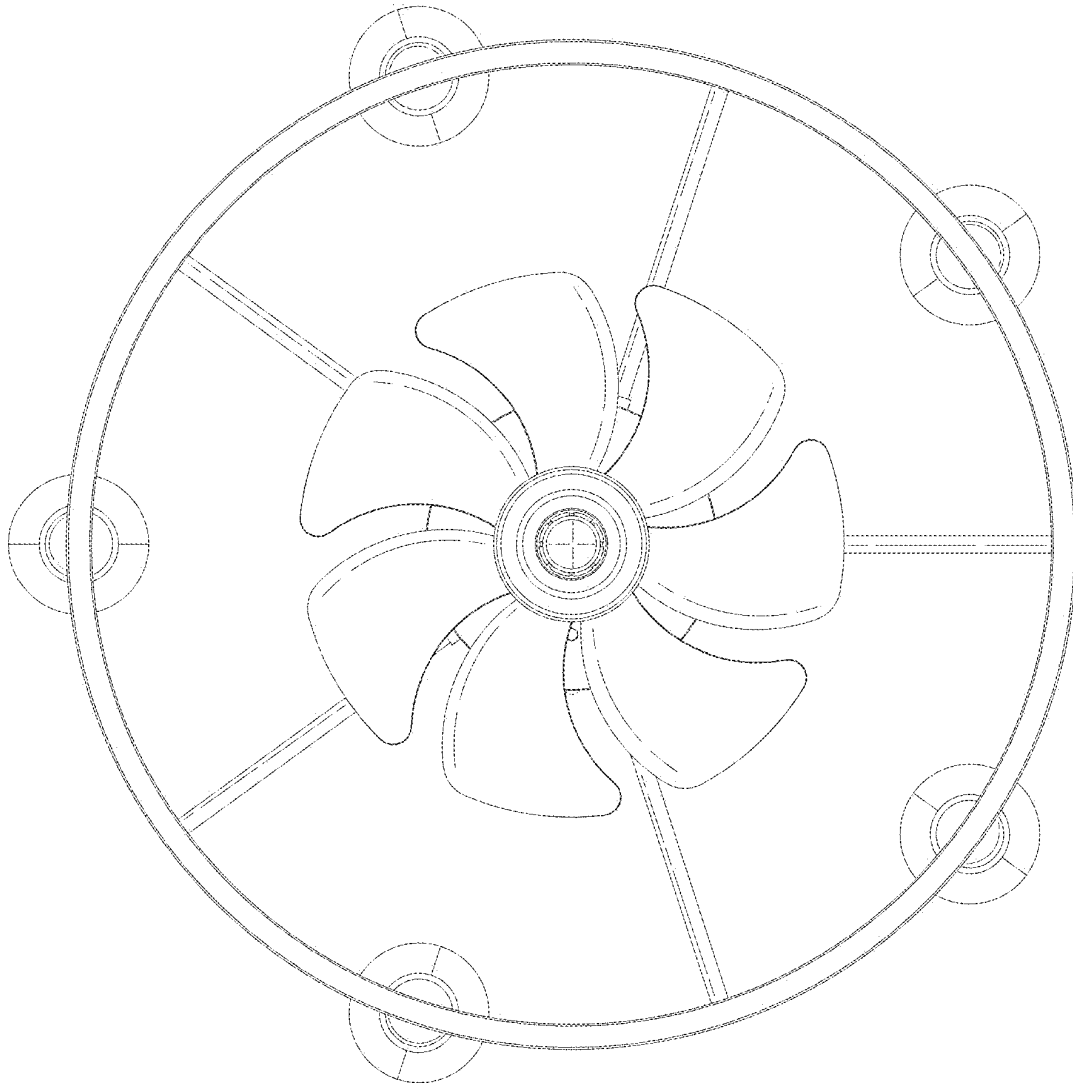


FIG.7

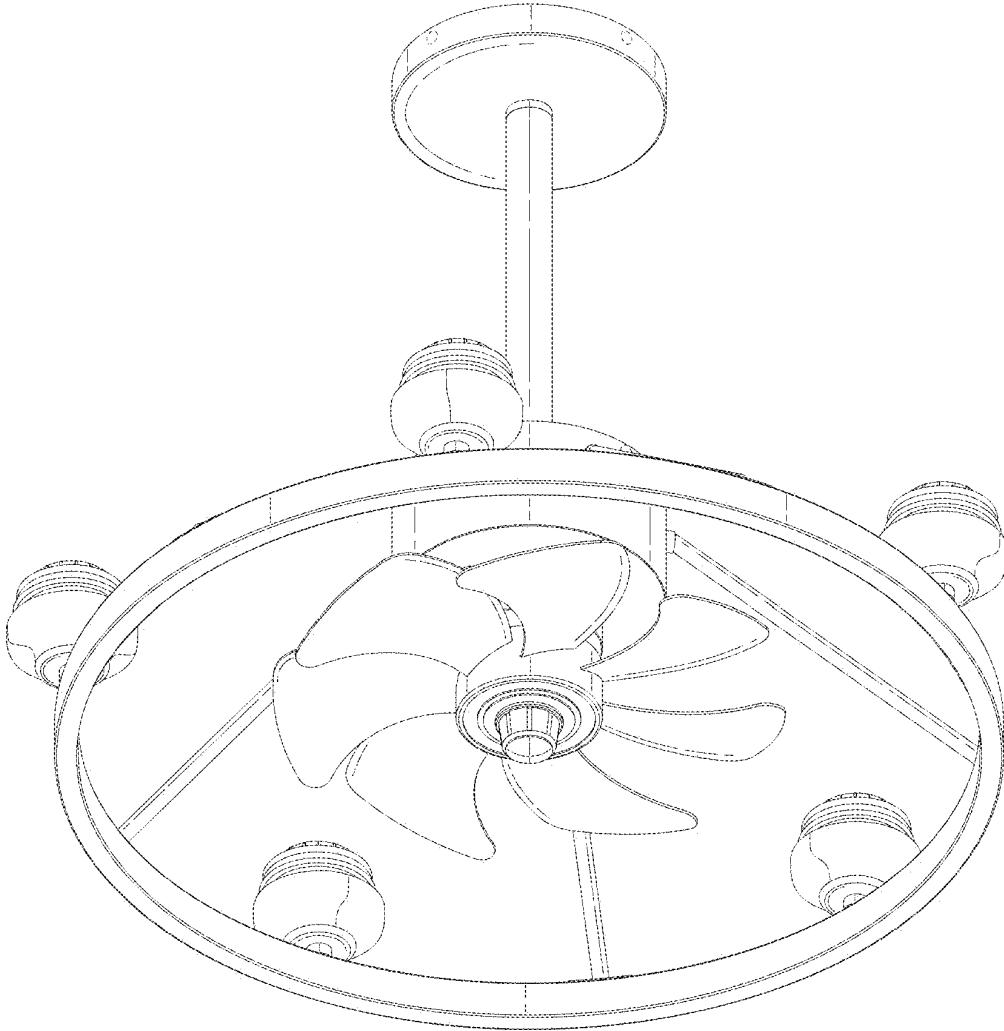


FIG.8