

MTI BASICS® Collection Tubs

MBLX6032

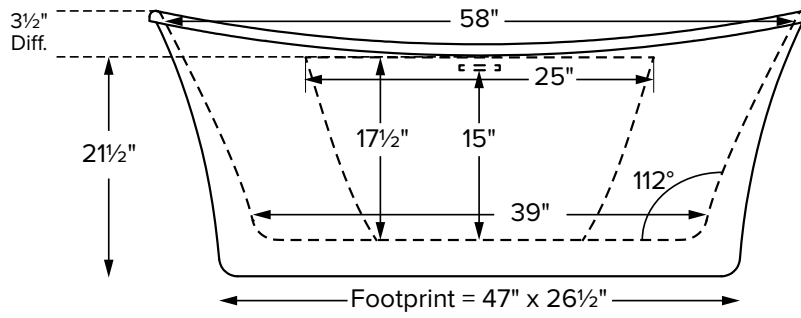
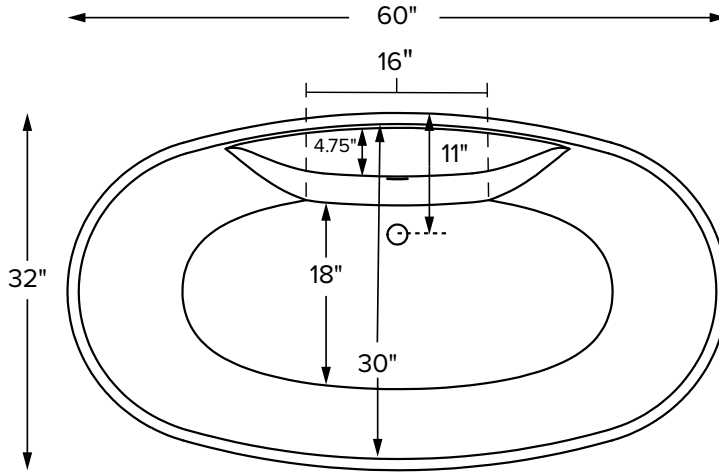
60" x 32" x 21.5"

Acrylic Freestanding Tub

Weight 120 lbs / 54 kg

Max Fill 67 gal to overflow

NOTE: Filling this tub to the maximum may require an above average size or dedicated water heater.



Soaker
Soaking bath - No jets. Includes pre-leveled foam base and white integrated slotted overflow with matching toe tap drain.
Part # MBSLX6032

Options Must be ordered at time of purchase

Standard White only

Quick Ship / Priority Call for availability

Soaker (QSHIPMTIS)

Accessories

Pillows

Soft Pillow

White (MBPSW) Black (MBPSB)

Roll-Up Pillow

Light Aqua (MBPRUC) Black (MBRUB)



Access panel

Important Ordering and Installation Information

- Designed to install on a finished floor that is flat and level.
- Visible access panel is located behind the waste and overflow.
- Access panel dimensions vary according to tub model.
- This tub cannot be ordered without an access panel.
- Options listed cannot be combined with Designer Collection options.

• Before discarding tub crate, check for accessories that may be packaged inside.
 • All product measurements are ±1/2".
 • Specifications and configurations are subject to change without notice.
 • Measurements herein supersede all others published prior to publication date below.

