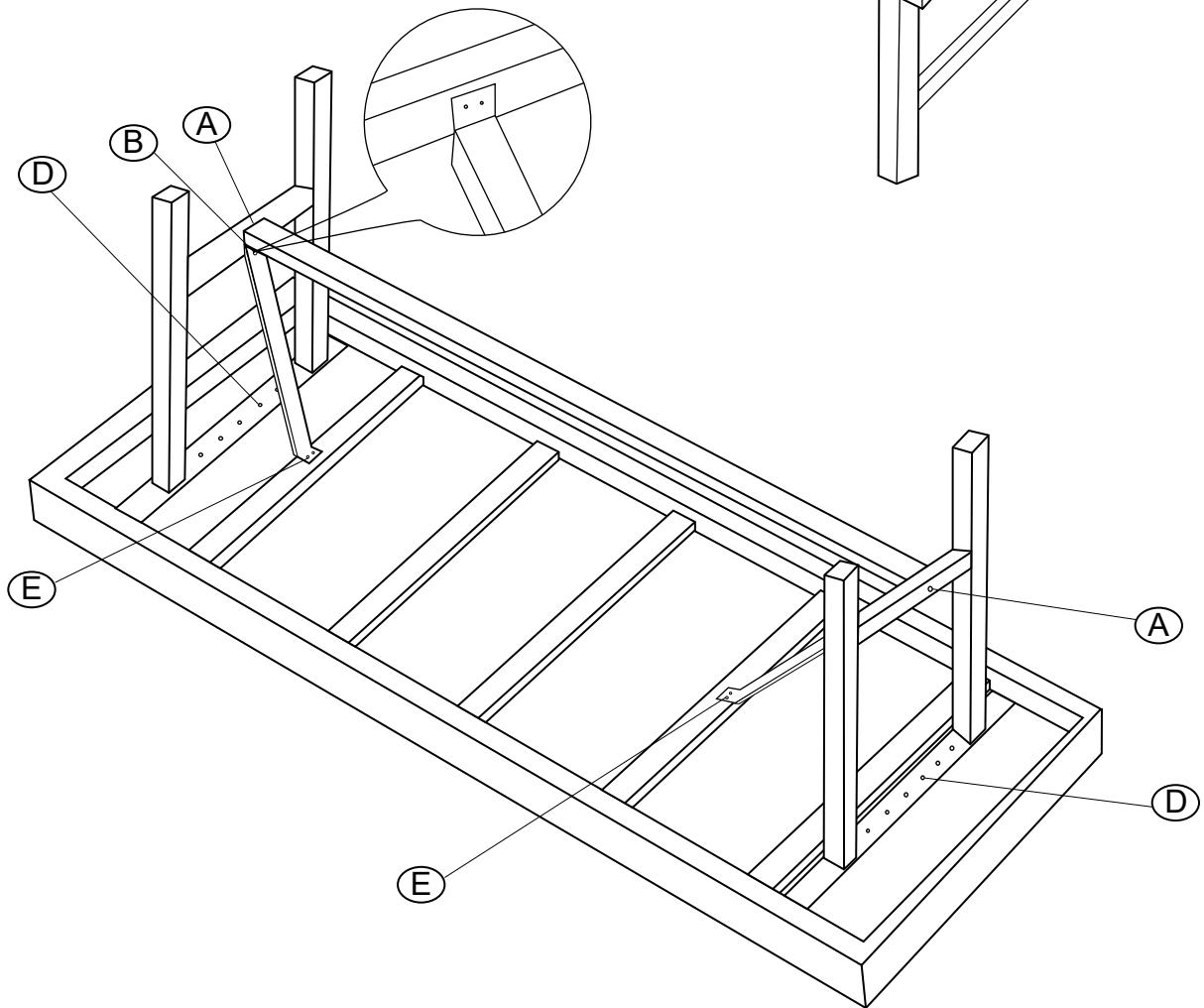
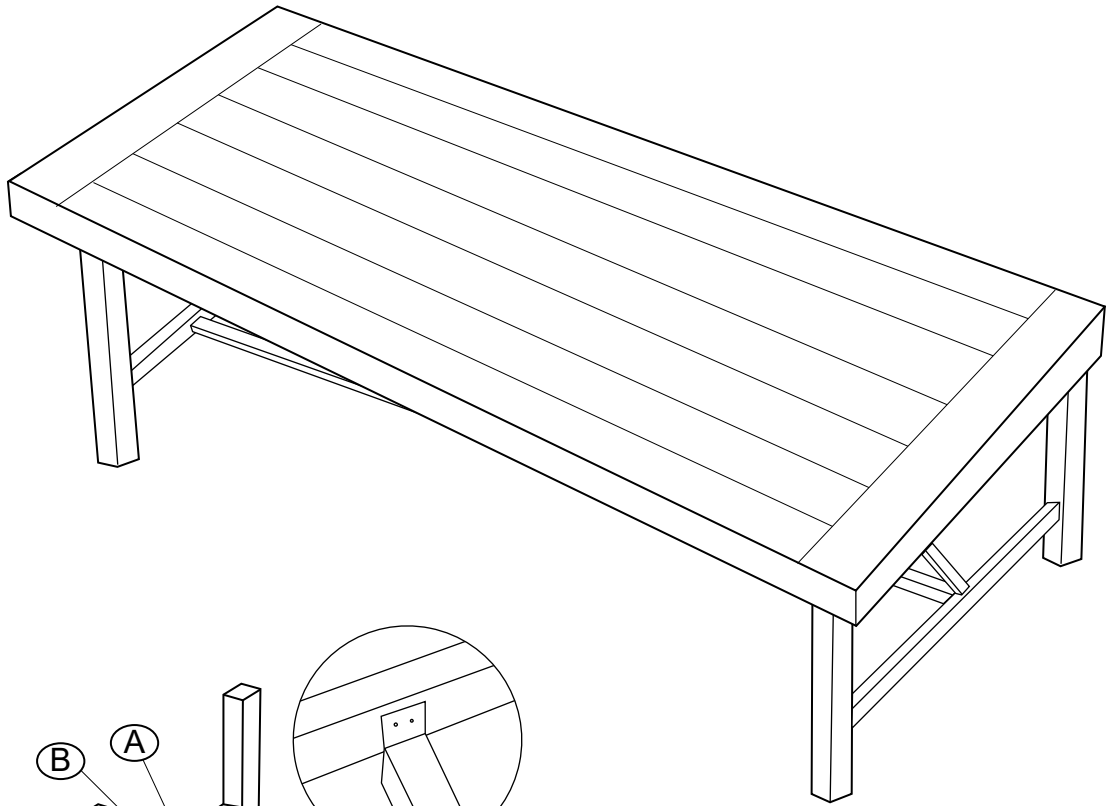


USER'S MANUAL



PART LIST

A

M8X50



X2

B

M6X16



X2

C



X2

D

M5X30



X12

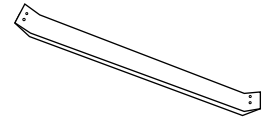
E

M4X20



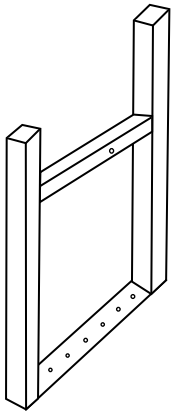
X4

F



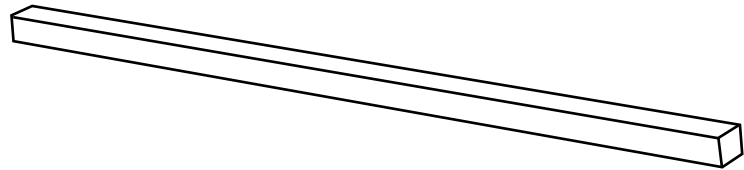
X2

G



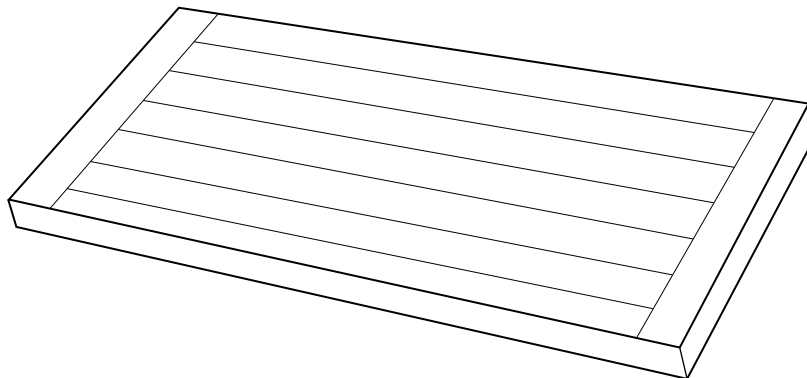
X2

H



X1

I



X1