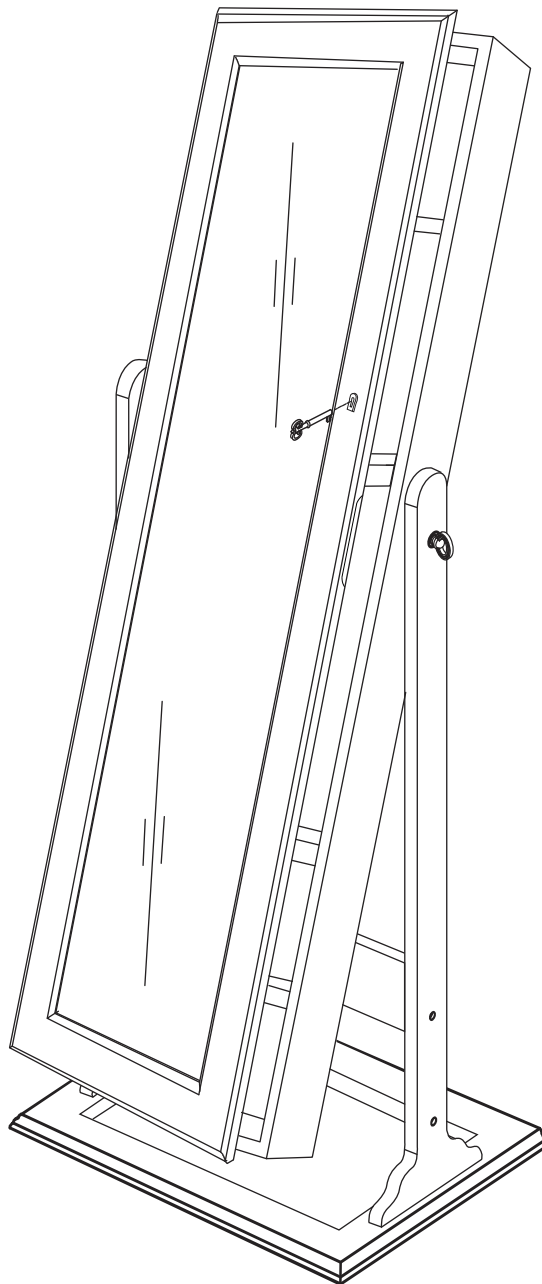


Instruction Manual

Freestanding Jewelry Armoire



Thank you for your order.
We hope you enjoy your purchase.



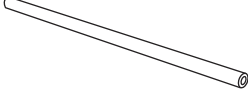

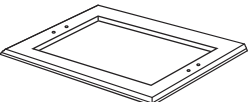

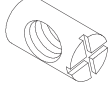
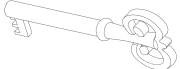

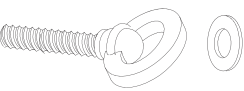

PRE-ASSEMBLY PREPARATION:



THIS PACKAGE MAY CONTAIN SMALL ITEMS WHICH SHOULD BE KEPT AWAY FROM CHILDREN

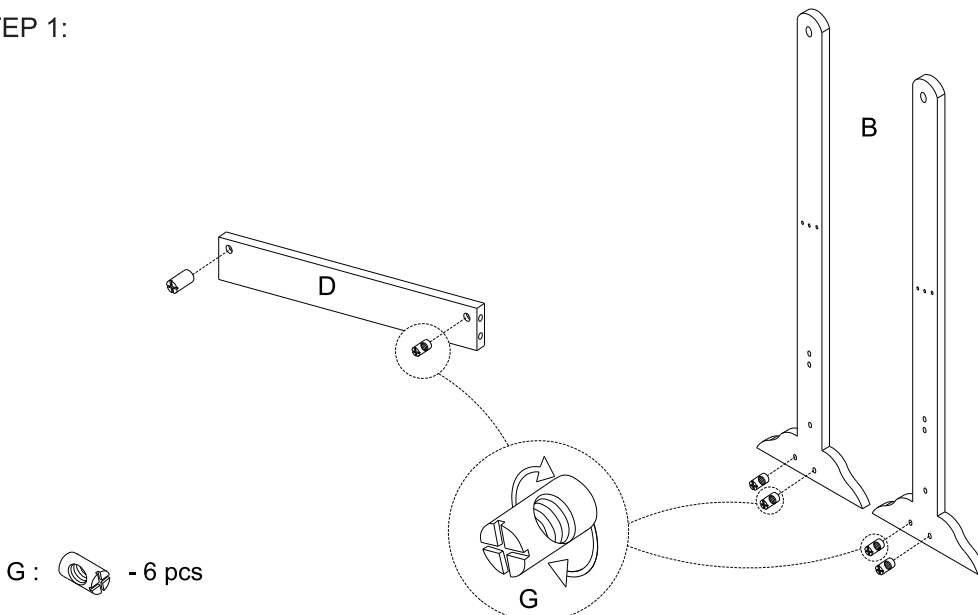
- Please check that all parts and hardware are included before beginning assembly.
- Save all packing materials until assembly is complete to avoid accidentally discarding smaller parts or hardware.
- Read through the preparation and assembly instructions in full before beginning assembly.
- Please use CAUTION AND CARE WHEN LIFTING the product to avoid personal injury and (or) damage to the product.
- For ease of assembly, two adults are recommended.

LIST:

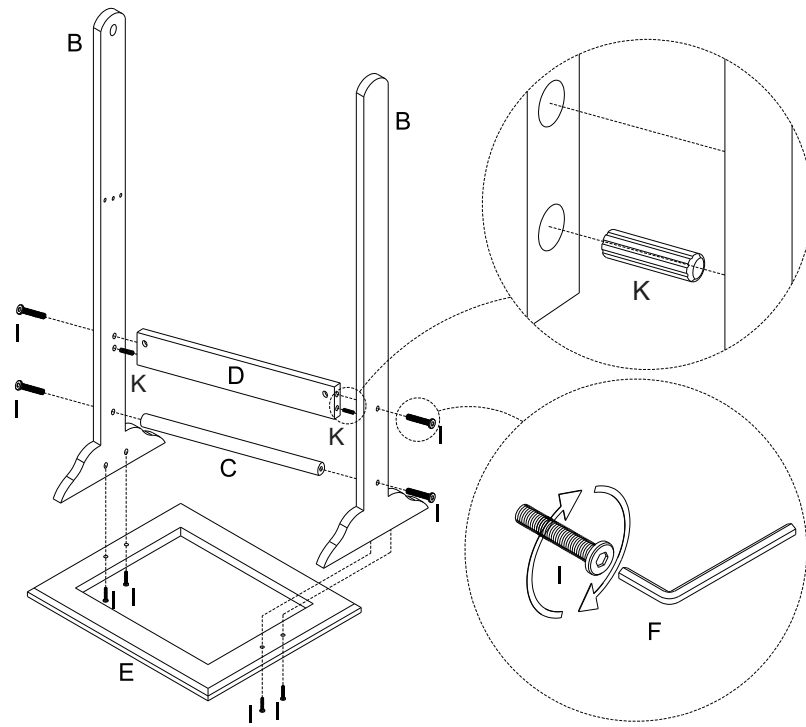
 A:1pc	 B:2pcs	 C:1pc	 D:1pc
 E:1pc	 F:1pc	 G:6pcs	 H:1pc
 I:8pcs	 J:2sets	 K:4pcs	

STEP-BY-STEP ASSEMBLY:


STEP 1:

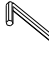


STEP 2:

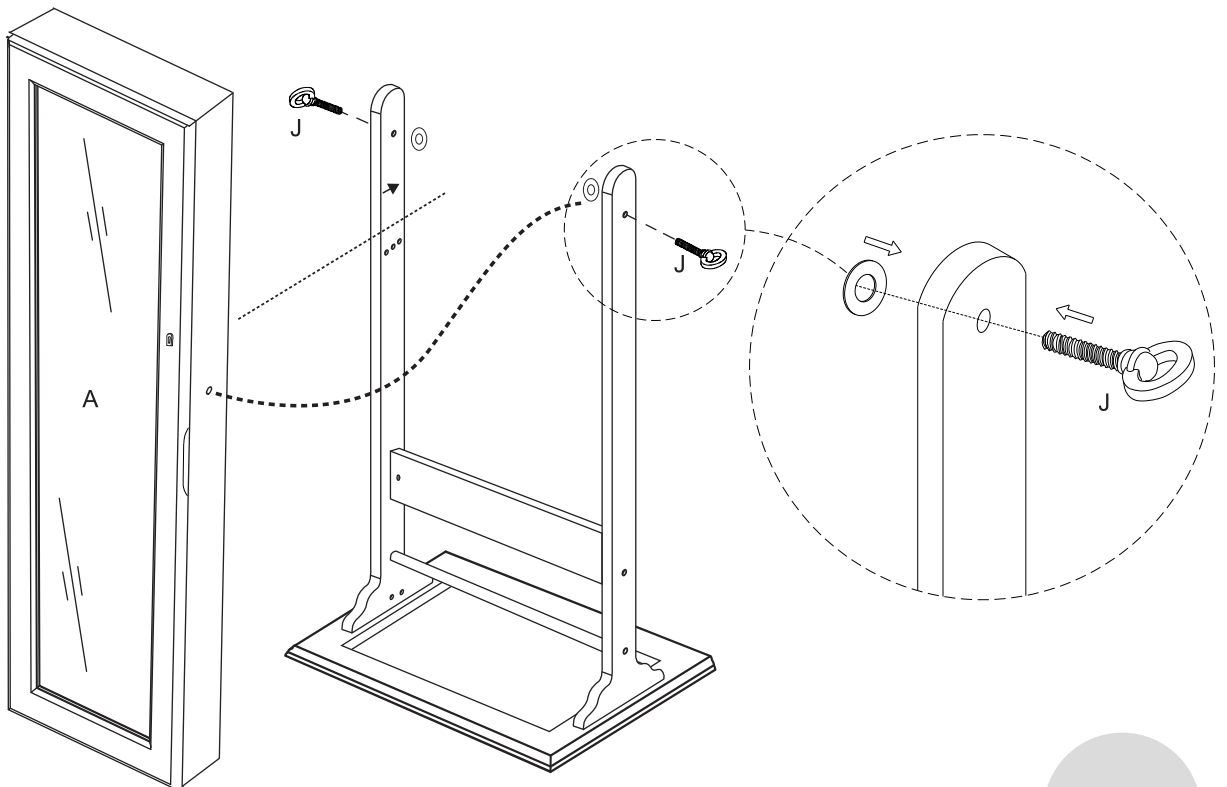
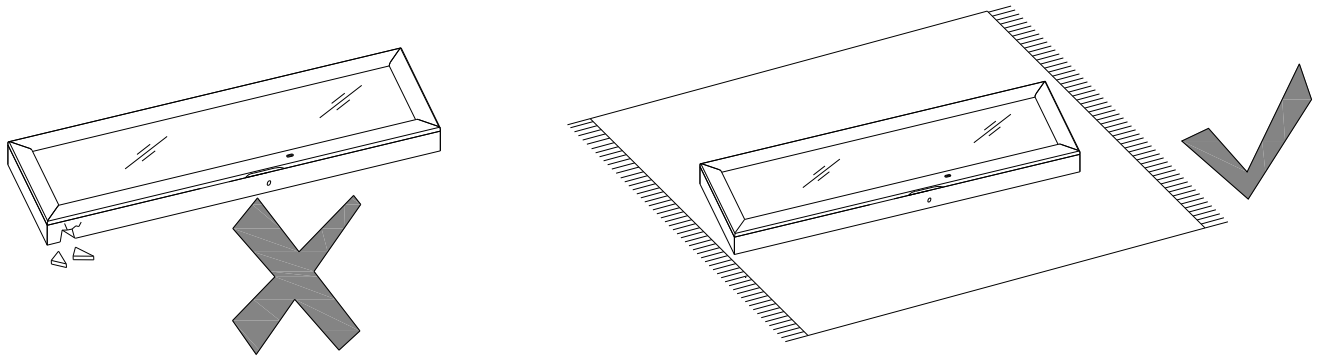



I :  - 8 pcs

K :  - 2 pcs

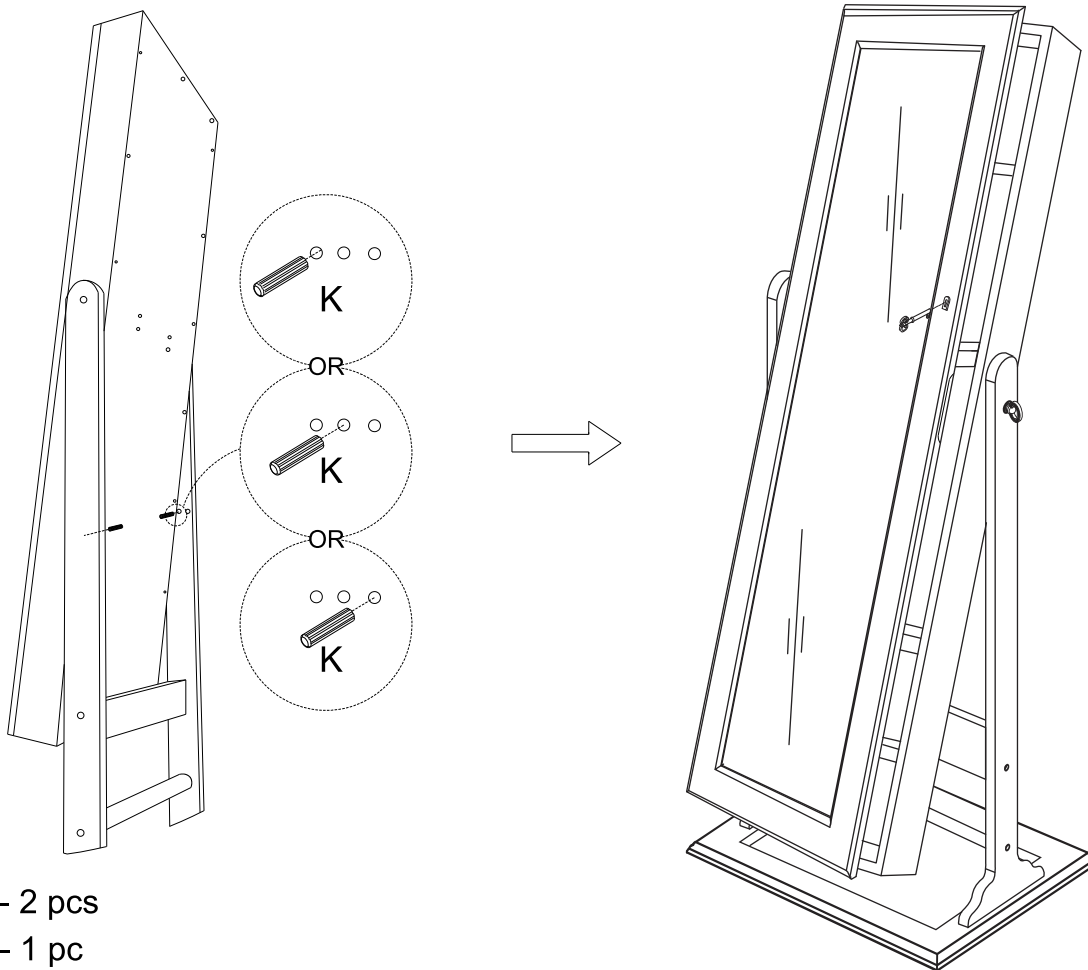
F :  - 1 pc



STEP 3:



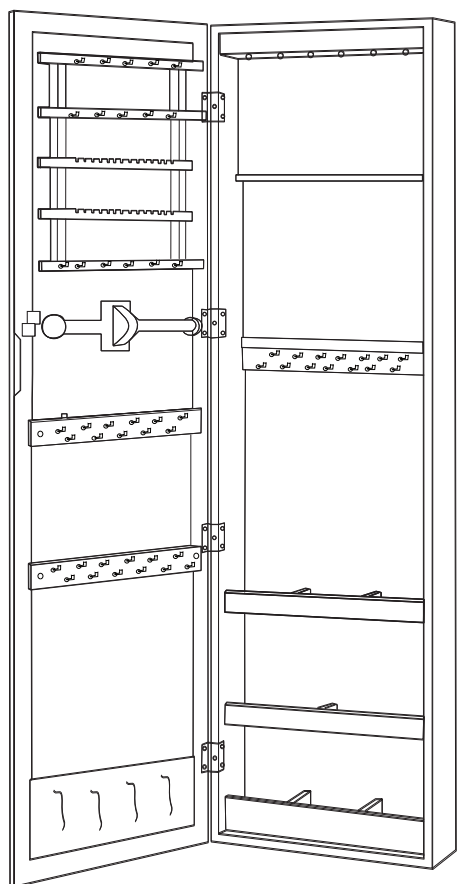
J :  - 2 sets

STEP 4:

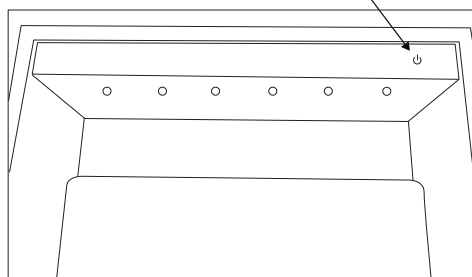


- K:  - 2 pcs
- H:  - 1 pc

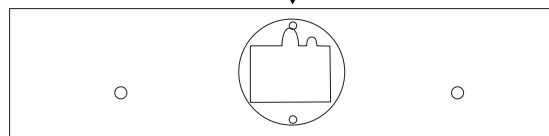
STEP 5:



Pressure switch



3AAA Batteries



Open battery box lid, put 3AAA batteries and cover the lid.