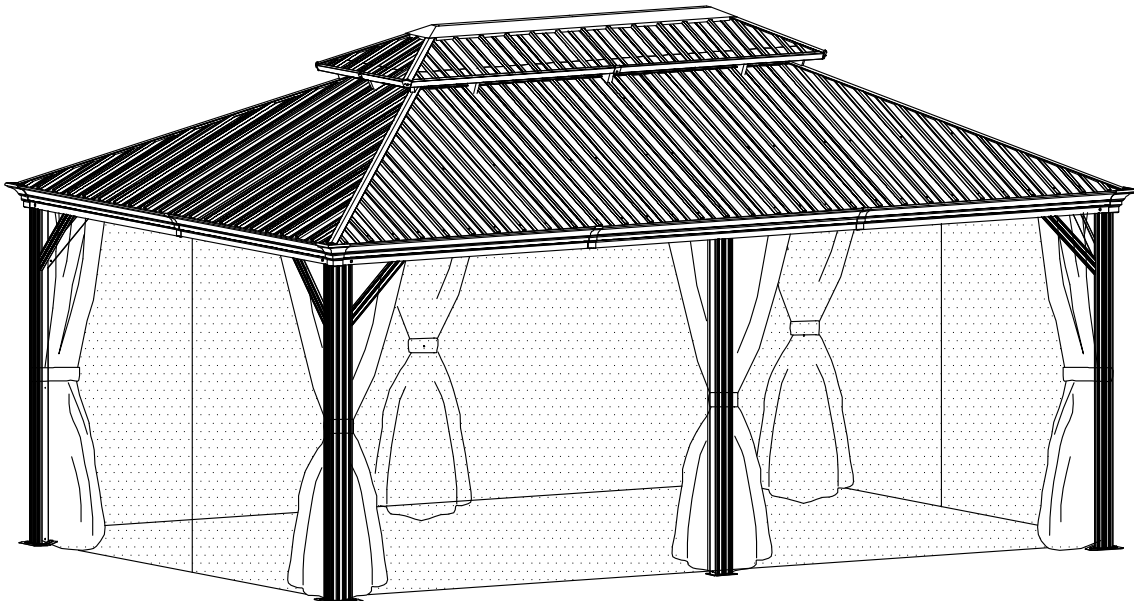




12'x18' HARDTOP GAZEBO WITH DOUBLE ROOF **ASSEMBLY MANUAL**



MODEL#: LGMF1528C

Missing part? Damaged? Contact us via email at

service@domioutdoorliving.com

www.domioutdoorliving.com

Pre-assembly



1. Two or more people are required for assembly.



2. You will need one or more stepladders.



3. Wearing protective gloves is recommended.



4. You may need a safety hat.



5. Please use a Phillips screw driver.



6. For ease of construction, you may need a drill.



7. You may need a safety goggle.



8. Do not fully tighten screws prior to complete assembly.

Warning & Attention

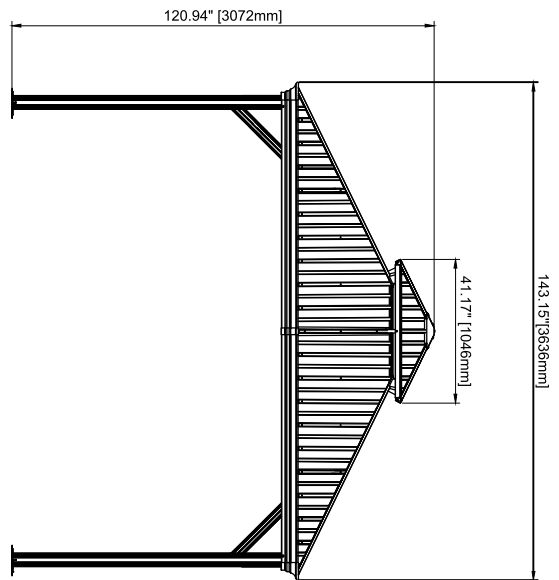
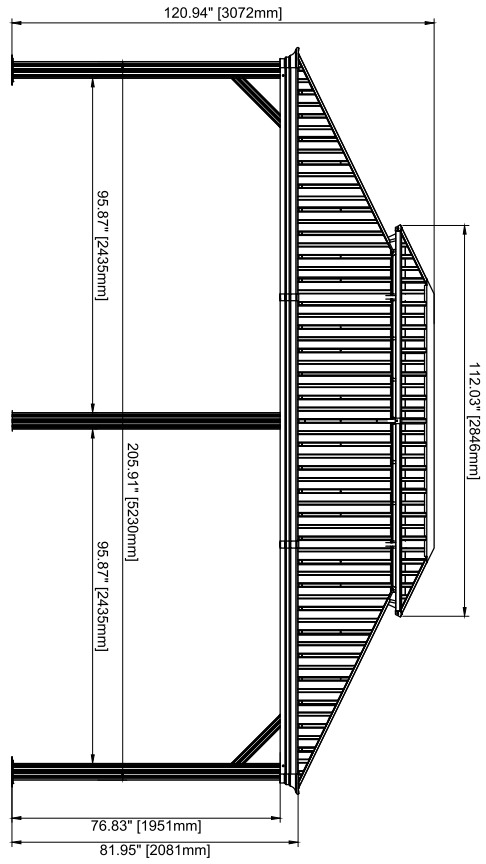
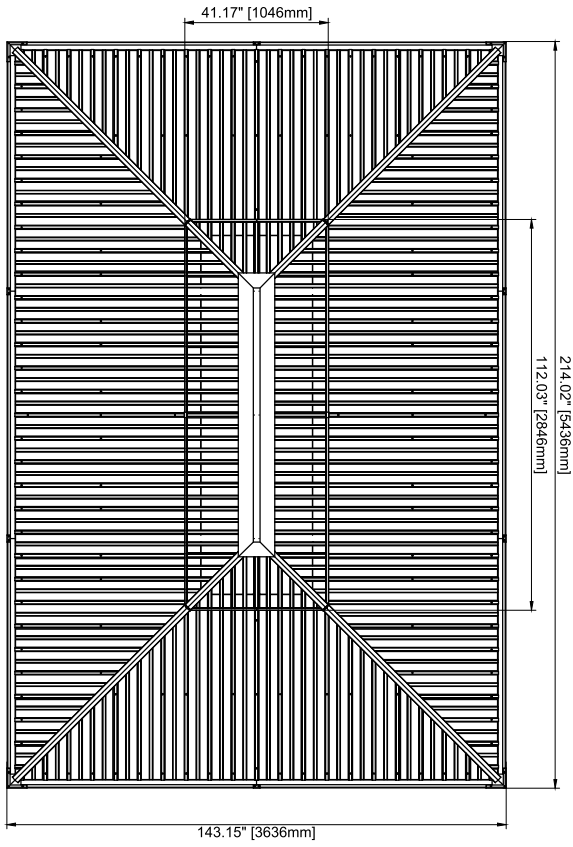
-Try to assemble this product on the flat ground, otherwise it is difficult to carry out;

-It would be much easier to assemble the product with three or more people;

-After assembly, please check whether all screws are tightened, to prevent parts from falling apart.

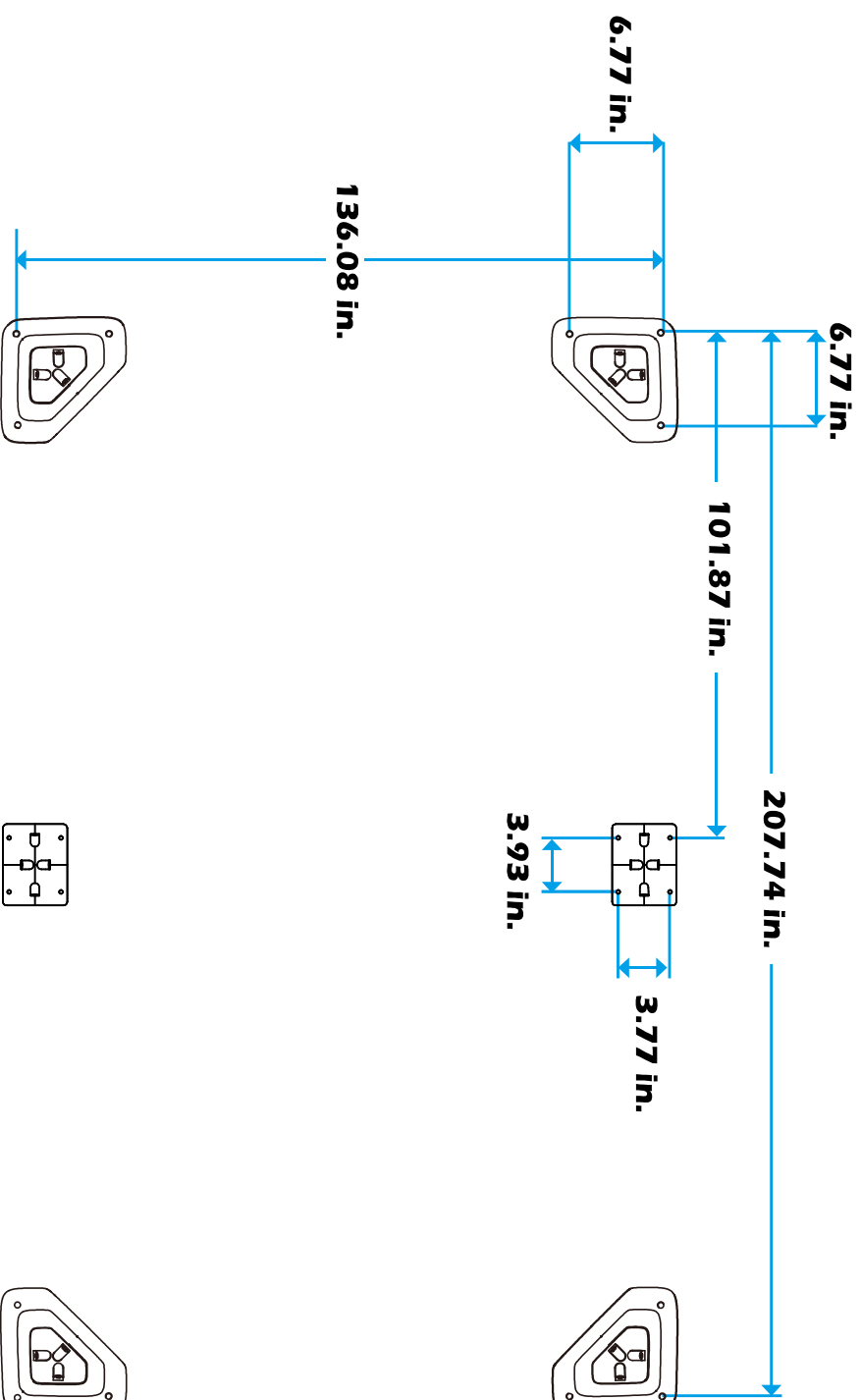
▲ Use bolts to secure the frame to the ground to against the strong wind.

IMPORTANT: A gaze may entail to purchase a municipal permit or be subject to specific building codes. It is the consumer's responsibility to inform themselves of any restrictions.

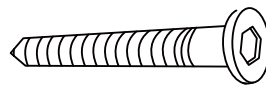
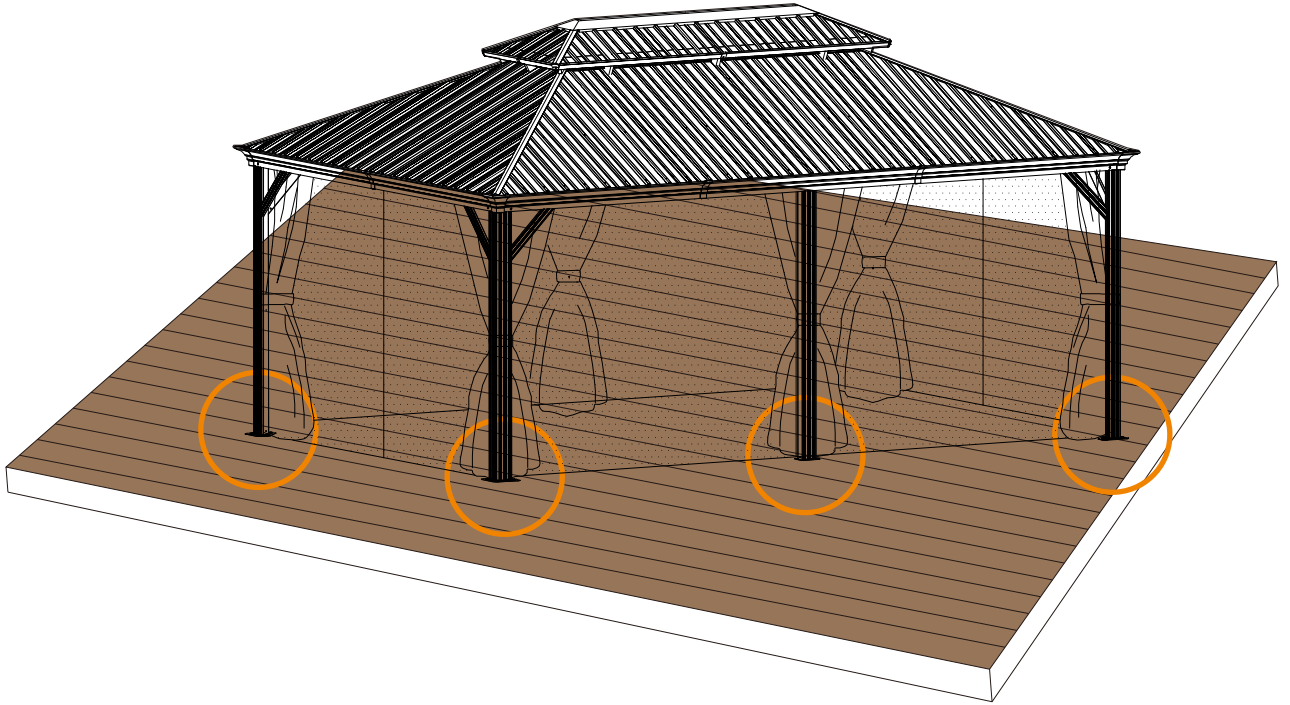


MOUNTING BLUEPRINT

Gazebo 12×18

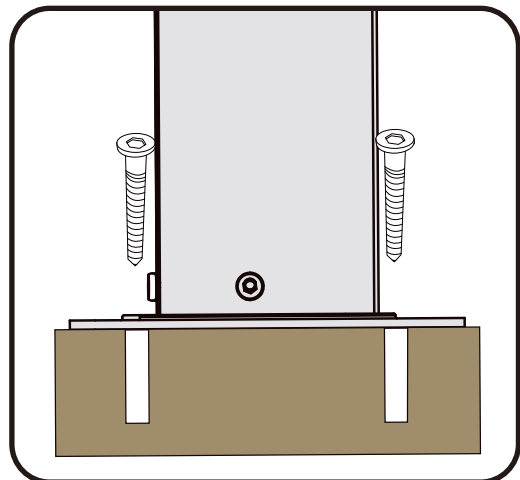
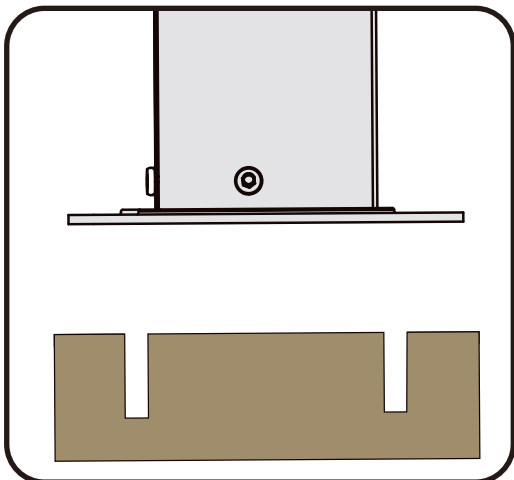


1

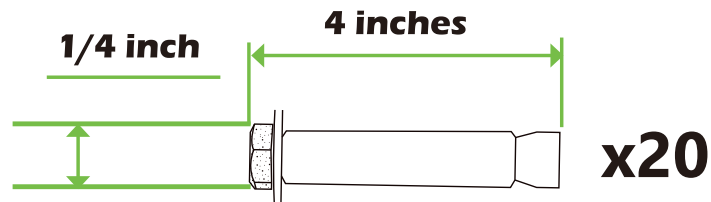
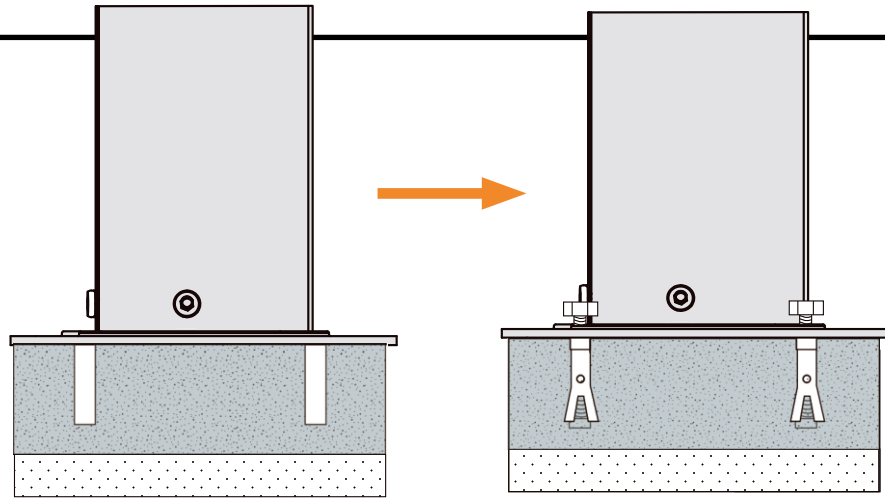


x20

If the deck is hard wood and the depth of it is over 3 inch, you can use **5/16 in. x4 in. Structural Wood Screw** to mount the gazebo.

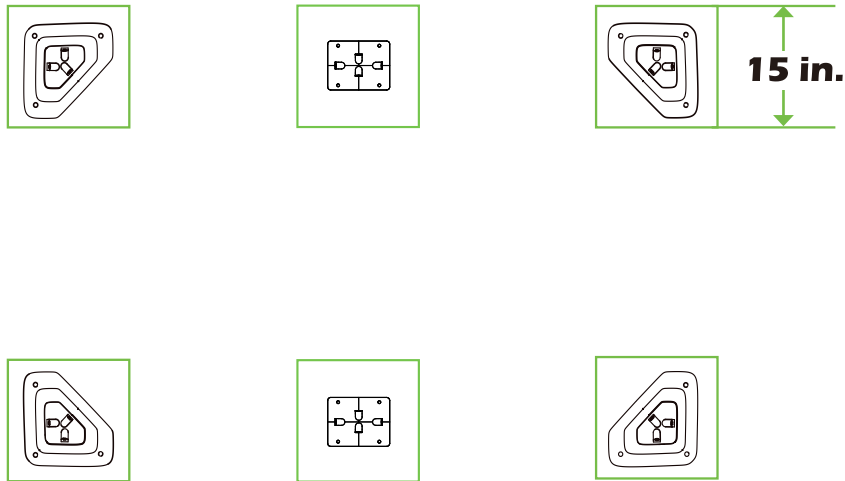


2



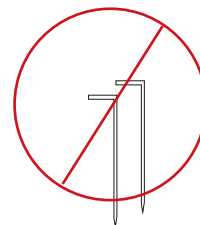
If the ground is concreted and the depth of it is over 3 inch, you can use 1/4 inch expansion bolts to mount the gazebo

3



Or you can make a concrete footing for gazebo, **15×15×15 inches** is recommended. use expansion bolts to mount the pergola like ② shows.

IMPORTANT:
Anchor is not recommended





Pole

A (x4)



Gap Cover

D3 (x2)



Pole

B (x2)



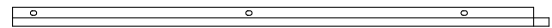
Beam

E (x2)



Beam

C (x4)



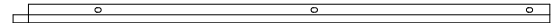
Sidewall Track

E1a (x2)



Sidewall Track

C1 (x4)



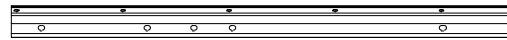
Sidewall Track

E1b (x2)



Gap Cover

C2 (x2)



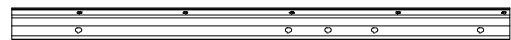
Gap Cover

E2a (x2)



Gap Cover

C3 (x2)



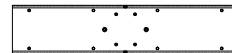
Gap Cover

E2b (x2)



Beam

D (x4)



Union Bar

F (x6)



Sidewall Track

D1 (x4)



Corner Cover

G (x4)



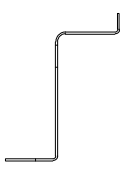

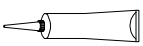
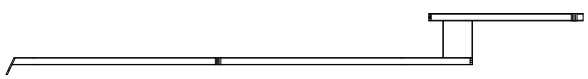

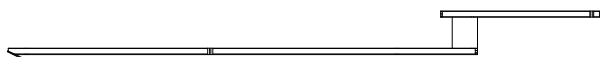

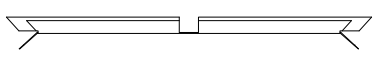
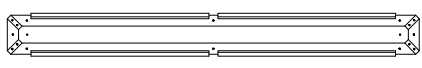

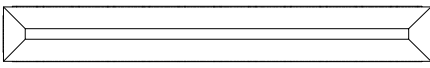

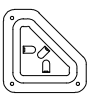
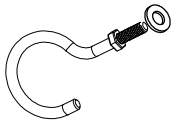
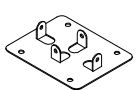
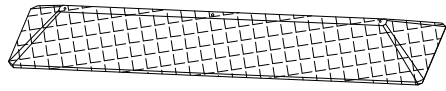



Gap Cover

D2 (x2)



Joint Cover

H (x6)

<p>Joint Cover</p>  <p>H1 (x6)</p>	<p>Roof Tube</p>  <p>N (x2)</p>
<p>Silicone Sealant</p>  <p>H2 (x1)</p>	<p>Roof Tube</p>  <p>N1 (x4)</p>
<p>Corner Solidifying Bar</p>  <p>J1 (x4)</p>	<p>Roof Tube</p>  <p>N2 (x2)</p>
<p>Corner Solidifying Bar</p>  <p>J2 (x4)</p>	<p>Finishing Bar</p>  <p>P (x2)</p>
<p>Inside Roof Cover</p>  <p>K (x1)</p>	<p>Finishing Bar</p>  <p>Q1 (x2)</p>
<p>Outside Roof Cover</p>  <p>K1 (x1)</p>	<p>Finishing Bar</p>  <p>Q2 (x2)</p>
<p>Base</p>  <p>L (x4)</p>	<p>Hooks</p>  <p>Q4 (x3)</p>
<p>Base</p>  <p>L1 (x2)</p>	<p>Small Mesh</p>  <p>O (x1)</p>
<p>Corner Roof Tube</p>  <p>Ma (x4)</p>  <p>Mb (x4)</p> <p>M (x4)</p>	<p>Plastic Bar</p>  <p>O1 (x4)</p>



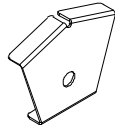
Plastic Bar

O2 (x2)



Solidifying Bar

U3 (x2)



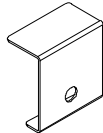
Finishing End

R (x8)



Solidifying Bar

U4 (x2)



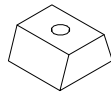
Finishing End

R1 (x2)



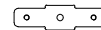
Bracket

U5 (x4)



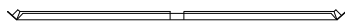
Black Rubber

S (x148)



Bracket

U6 (x6)



Finishing Bar

T (x2)



Solidifying Bar

U7 (x2)



Finishing Bar

T1 (x2)

Allen Key



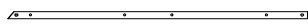
x1



Finishing Bar

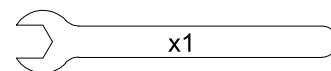
T2 (x2)

Wrench



Solidifying Bar

U1 (x2)

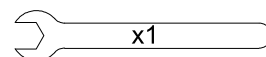


x1

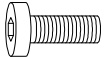
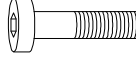
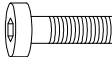


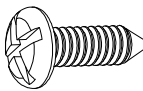
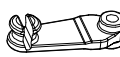
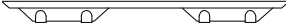
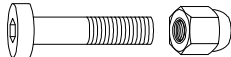
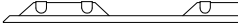
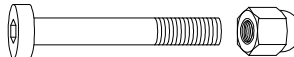

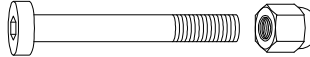
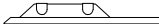
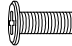

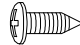


Solidifying Bar

U2 (x2)



x1

 <p>M6x16</p> <p>1# x264</p>	 <p>M6x25</p> <p>10# x4</p>
 <p>M6x20</p> <p>2# x36</p>	 <p>M6x12</p> <p>11# x16</p>
 <p>3# x16</p>	 <p>ST6.3*15</p> <p>12# x20</p>
 <p>Plastic Hooks</p> <p>4# x144</p>	 <p>Plastic Clips</p> <p>Z x72</p>
 <p>M6x28</p> <p>5# x92</p>	 <p>Plastic Clips</p> <p>Z1 x4</p>
 <p>M6x45</p> <p>6# x8</p>	 <p>Plastic Clips</p> <p>Z2 x4</p>
 <p>M6x50</p> <p>7# x44</p>	 <p>Plastic Clips</p> <p>Z3 x4</p>
 <p>M5x16</p> <p>8# x6</p>	 <p>Plastic Clips</p> <p>Z4 x4</p>
 <p>ST4.8 x13</p> <p>9# x28</p>	

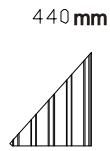
Roof Panel



V1 (x2)



V2 (x2)



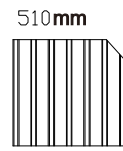
V3 (x2)



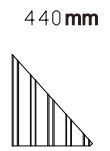
V4 (x2)



V (x4)



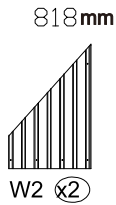
V5 (x2)



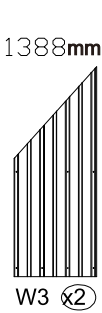
V6 (x2)



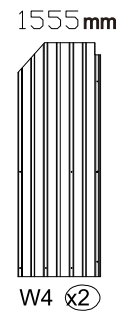
W1 (x2)



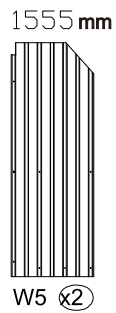
W2 (x2)



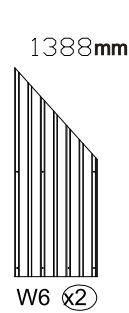
W3 (x2)



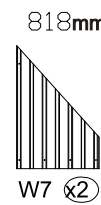
W4 (x2)



W5 (x2)



W6 (x2)



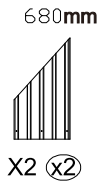
W7 (x2)



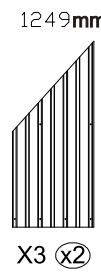
W8 (x2)



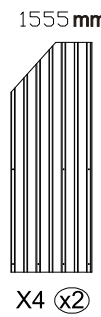
X1 (x2)



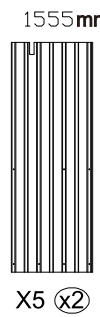
X2 (x2)



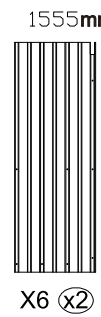
X3 (x2)



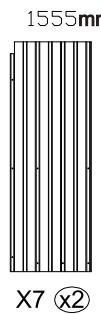
X4 (x2)



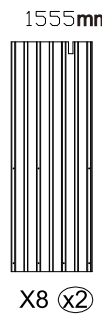
X5 (x2)



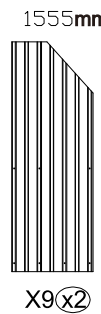
X6 (x2)



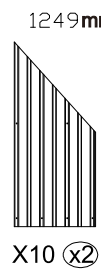
X7 (x2)



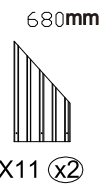
X8 (x2)



X9 (x2)



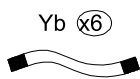
X10 (x2)



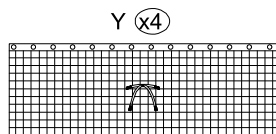
X11 (x2)



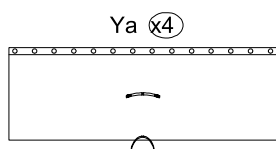
X12 (x2)



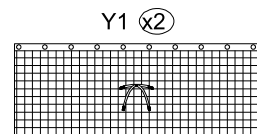
Strap



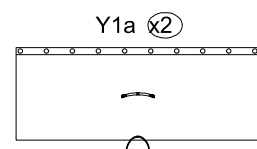
Y (x4)



Ya (x4)



Y1 (x2)



Y1a (x2)

Mosquito Netting

Solid Sidewall

Assemble the Poles:

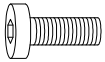
Attach Part #L to Part #A with 3 Bolts #1.
Repeat the above procedures to assemble the other 3 Poles #A.



A (x4)

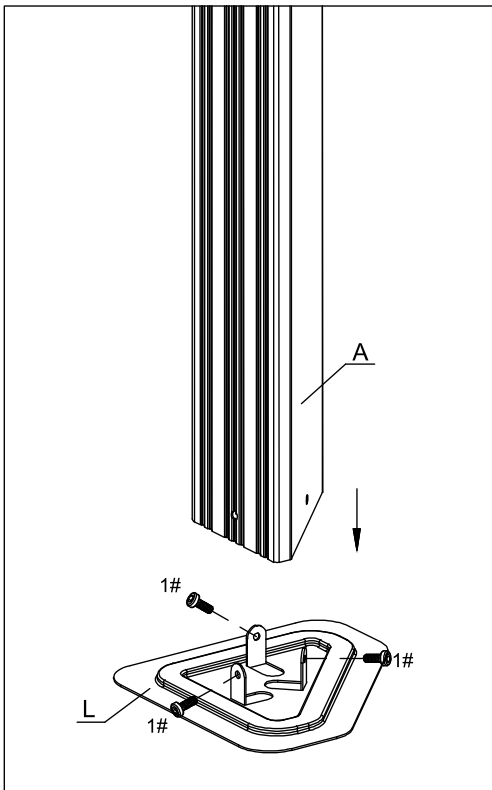


L (x4)

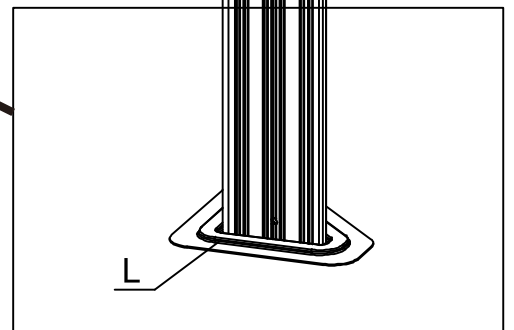


1#
x12

M6x16

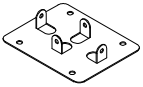


X4

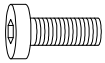




B x2

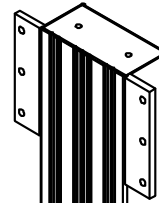


L1 x2



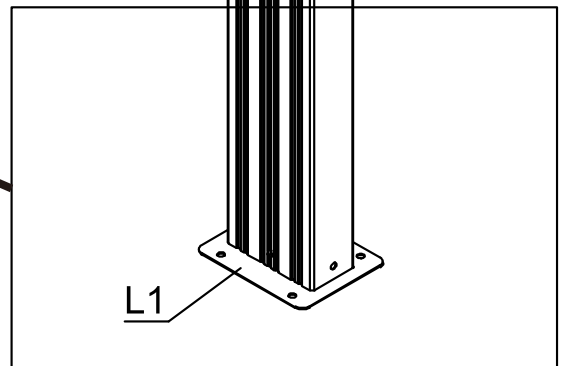
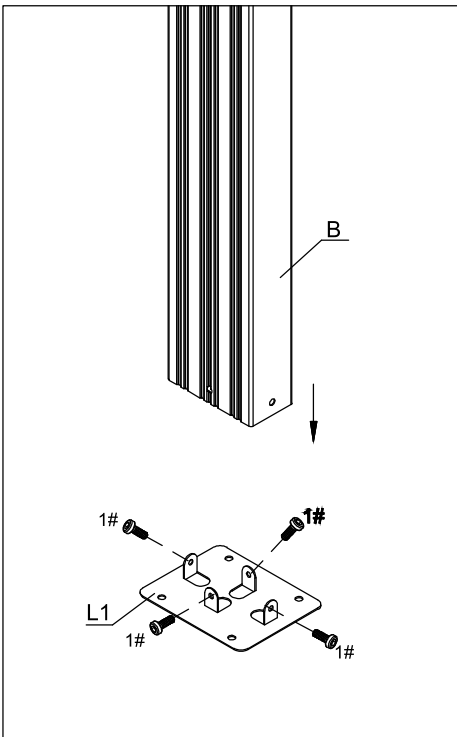
1# M6x16
x8

Attach Part #L1 to Part #B with
4 Bolts #1.
Repeat the above procedures to
assemble another Pole #B.

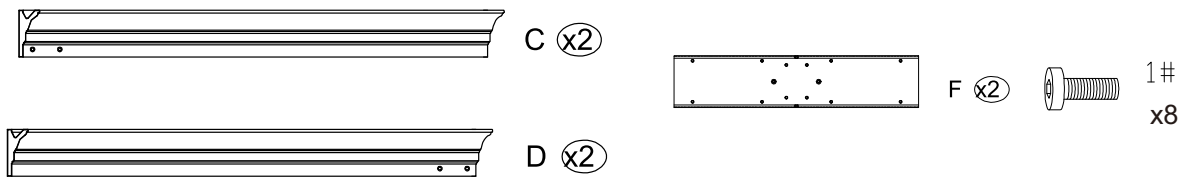


B

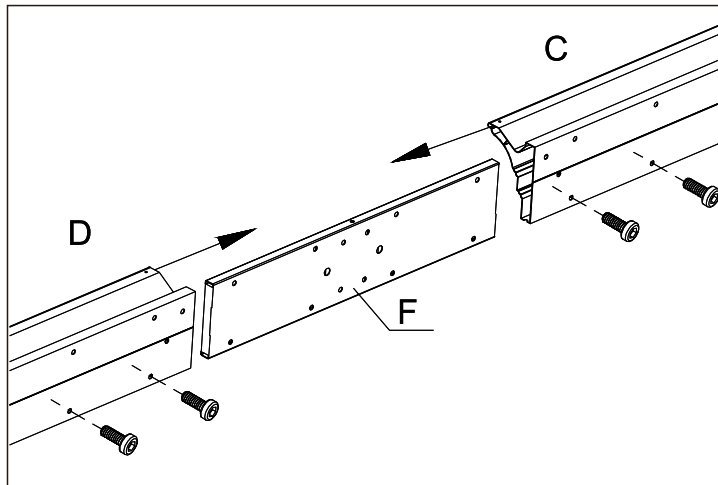
X2



L1

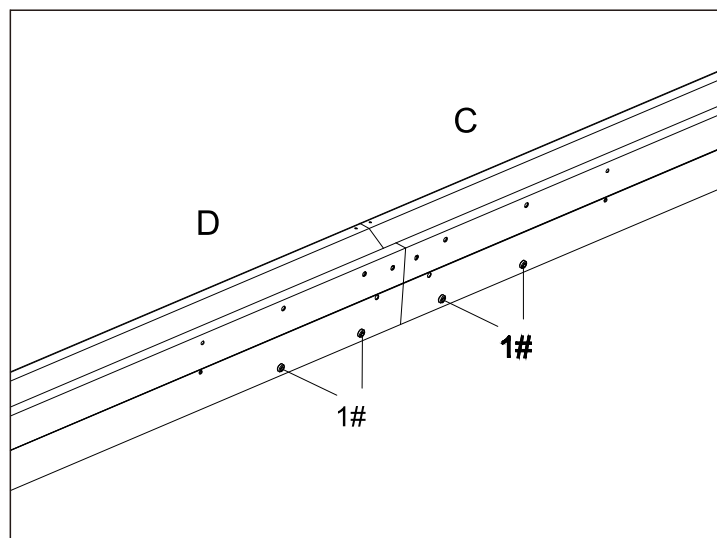


BEAM ASSEMBLY

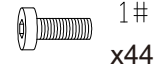


- (1) Insert Part #F into Part #D, and secure with 2 Bolts #1.
- (2) Insert the other side of Union Bar #F into Beam #C and secure with 2 Bolts #1.

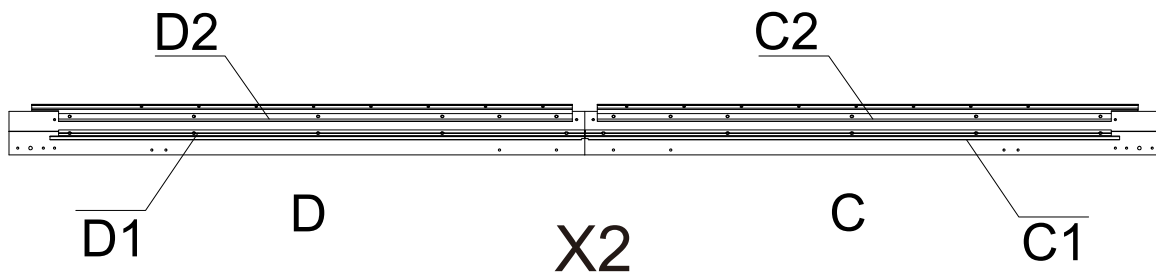
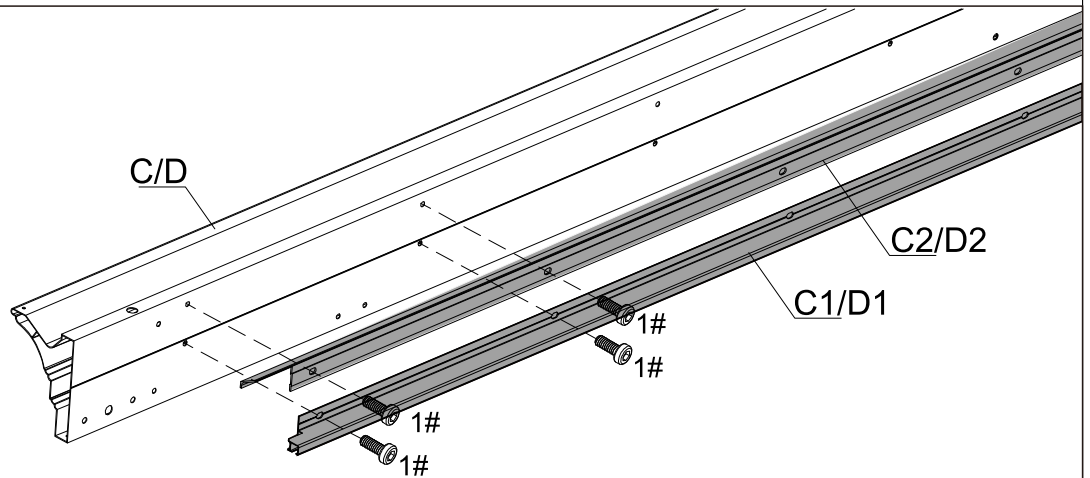
Repeat the above procedures to assemble the other Beam #D and #C.

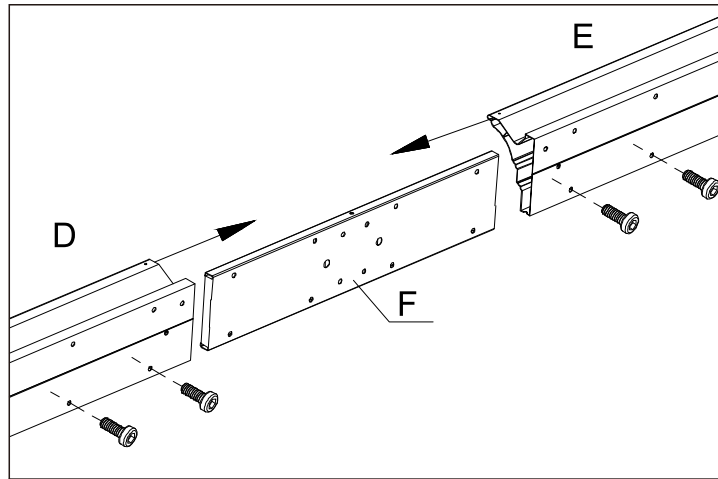
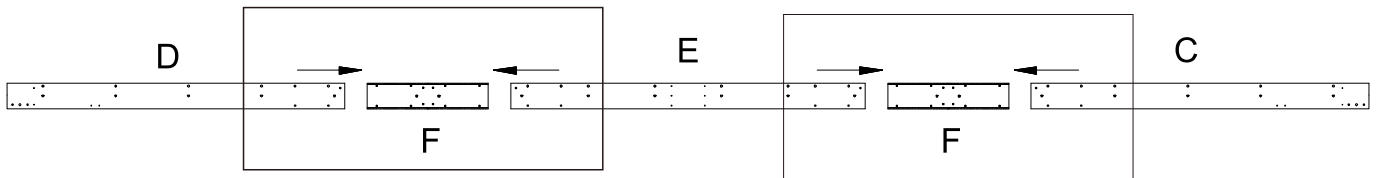
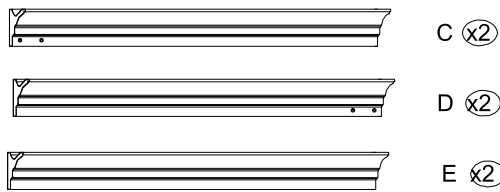


TIPS: It's a normal situation that there's a gap between the 2 beams, please use silicone sealant (part #H2) and and Joint Cover #H to affix the gap. (see P11)



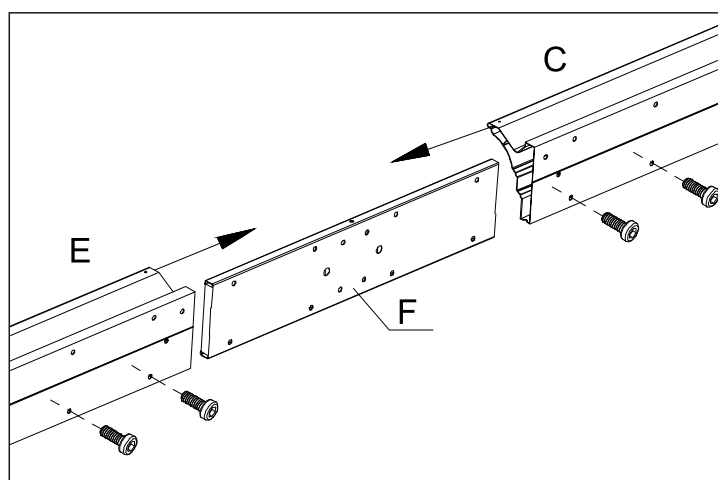
- (1) Use 6 Bolts #1 to secure the Gap Cover #D2 to the Beam # D as shown;
- (2) Use 5 Bolts #1 to secure the Track # D1 to the Beam # D as shown;
- (3) Use 6 Bolts #1 to secure the Gap Cover #C2 to the Beam #C as shown;
- (4) Use 5 Bolts #1 to secure the Track #C1 to the Beam #C as shown. Repeat the same steps to assemble the other Gap Covers (#C2, #D2) and Sidewall Tracks (#C1,#D1).





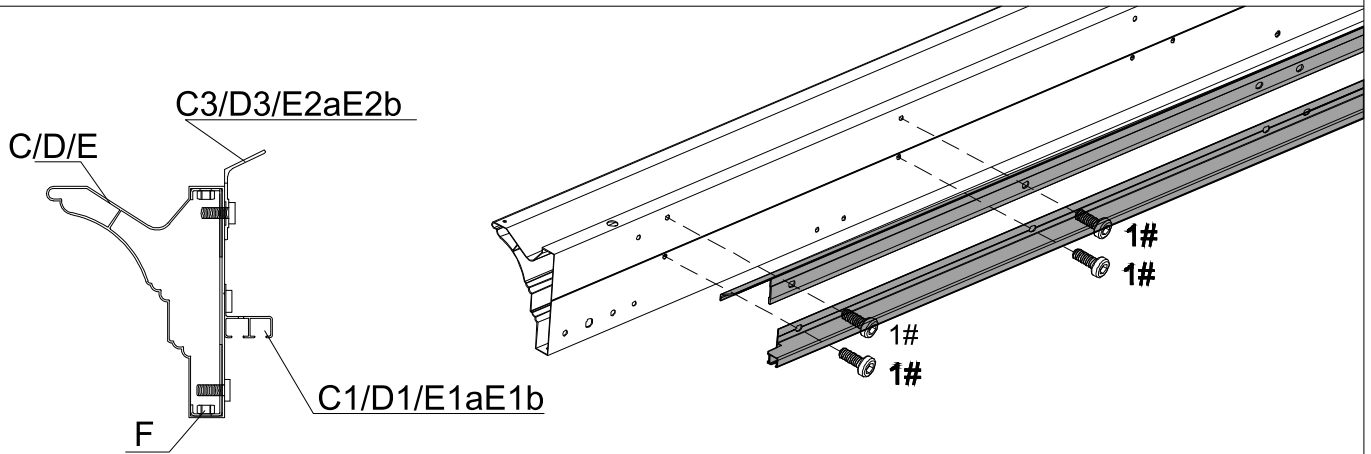
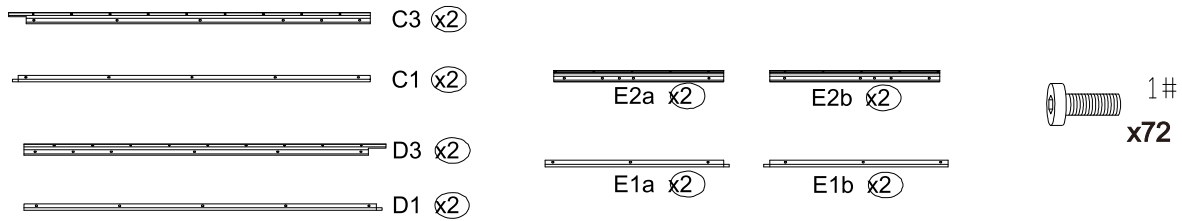
- (1) Insert Part #F into Part #D, and secure with 2 Bolts #1.
- (2) Insert the other side of Part #F into Part #E and secure with 2 Bolts #1.

Repeat the above procedures to assemble the other Part # D and Part # E.

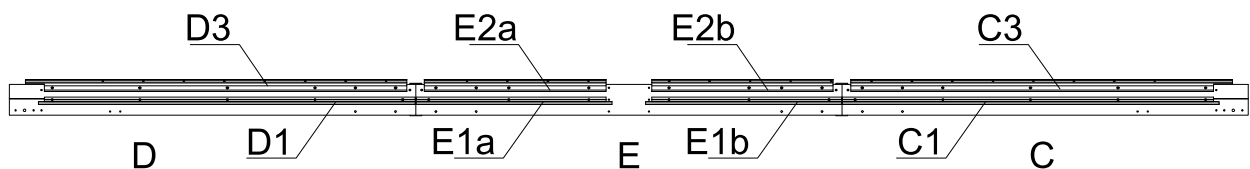


- (3) Insert Part #F into Part #C, and secure with 2 Bolts #1.
- (4) Insert the other side of Part #F into Part #E and secure with 2 Bolts #1.

Repeat the above procedures to assemble the other Part # C and Part # E.



- (1) Use 6 Bolts #1 to secure the Part #D3 to the Beam # D as shown;
 - (2) Use 5 Bolts #1 to secure the Part # D1 to the Beam # D as shown;
 - (3) Use 4 Bolts #1 to secure the Part #E2a to the Beam #C as shown;
 - (4) Use 3 Bolts #1 to secure the Part #E1a to the Beam #C as shown;
 - (5) Use 6 Bolts #1 to secure the Part #C3 to the Beam # D as shown;
 - (6) Use 5 Bolts #1 to secure the Part # C1 to the Beam # D as shown;
 - (7) Use 4 Bolts #1 to secure the Part #E2b to the Beam #C as shown;
 - (8) Use 3 Bolts #1 to secure the Part #E1b to the Beam #C as shown;
- Repeat the same steps to assemble the other Part #D3, #E2a, #E2b, #C3,#D1, #E1a, #E1b, #C1.

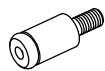


X2



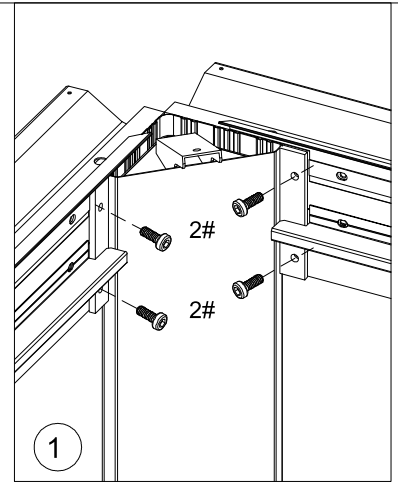
M6x20

2#
x16

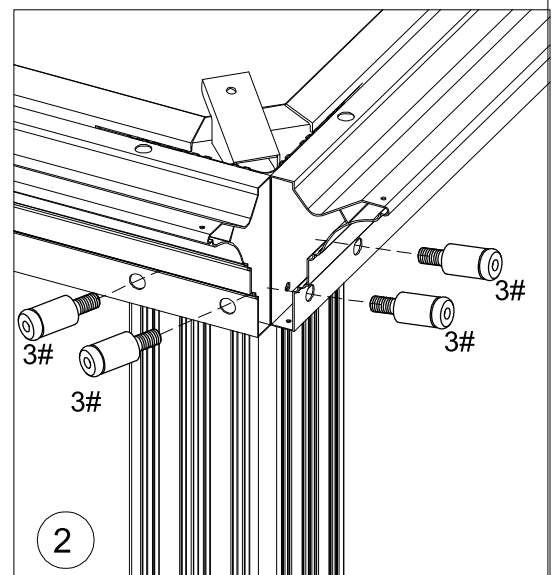
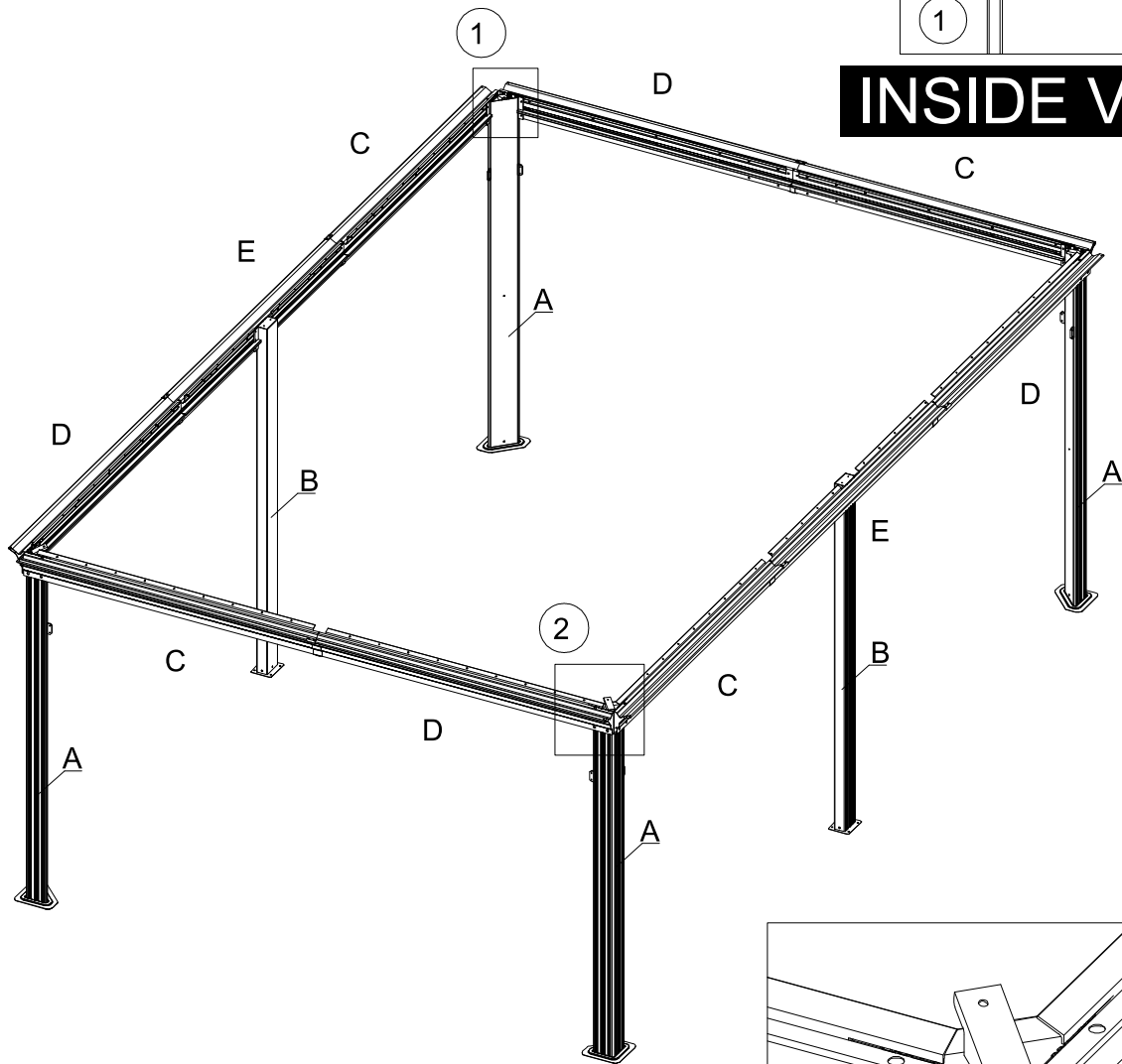


3#
x16

FRAME ASSEMBLY:



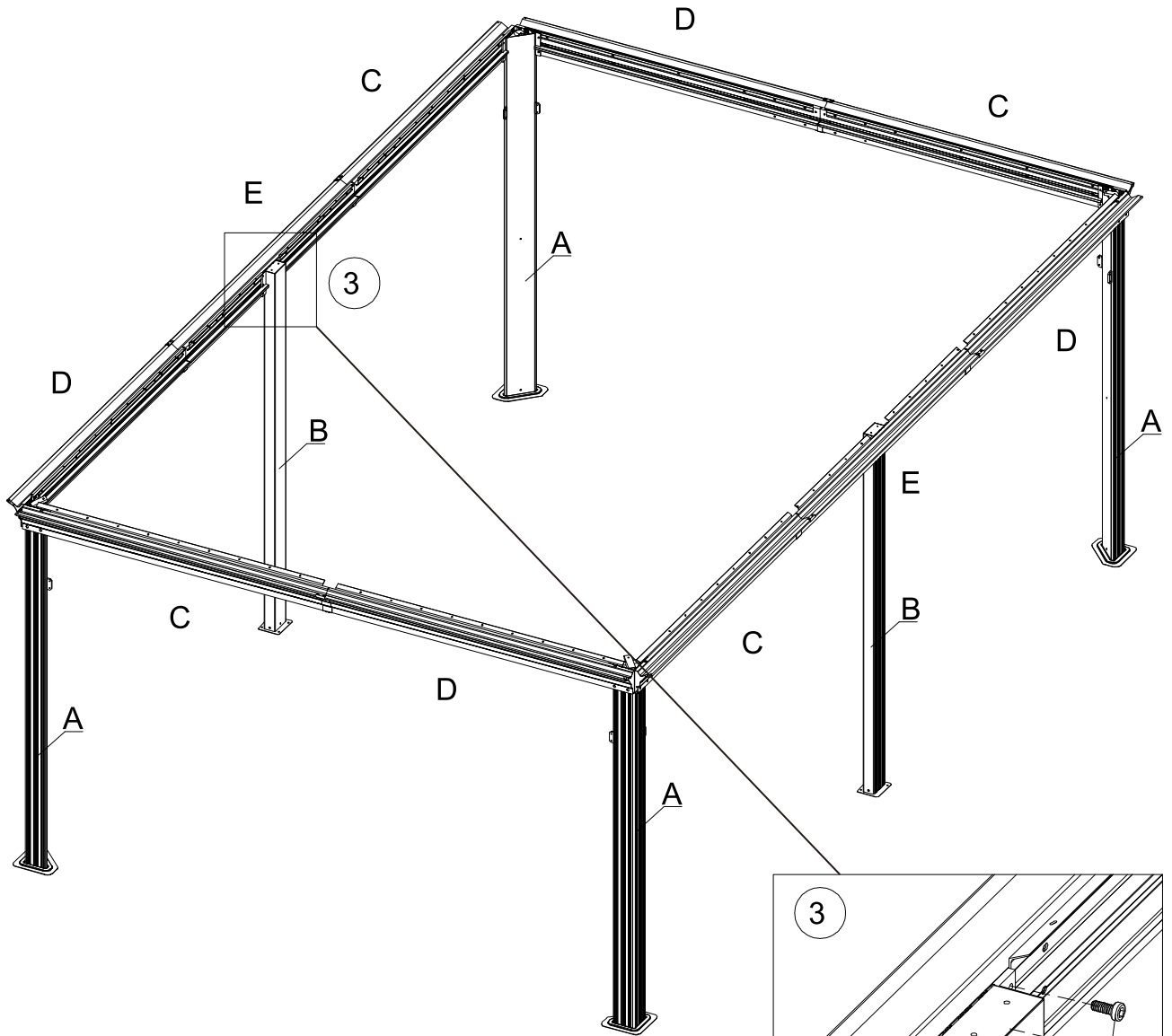
INSIDE VIEW



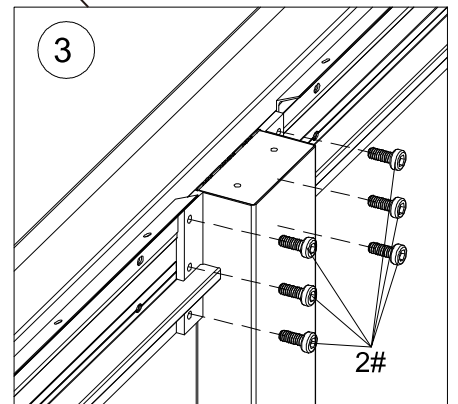
OUTSIDE VIEW

Please don't tighten
all bolts.

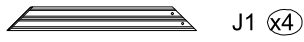
 M6x20 2#
x12



Please don't tighten
all bolts.



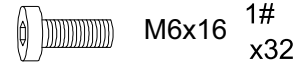
INSIDE VIEW



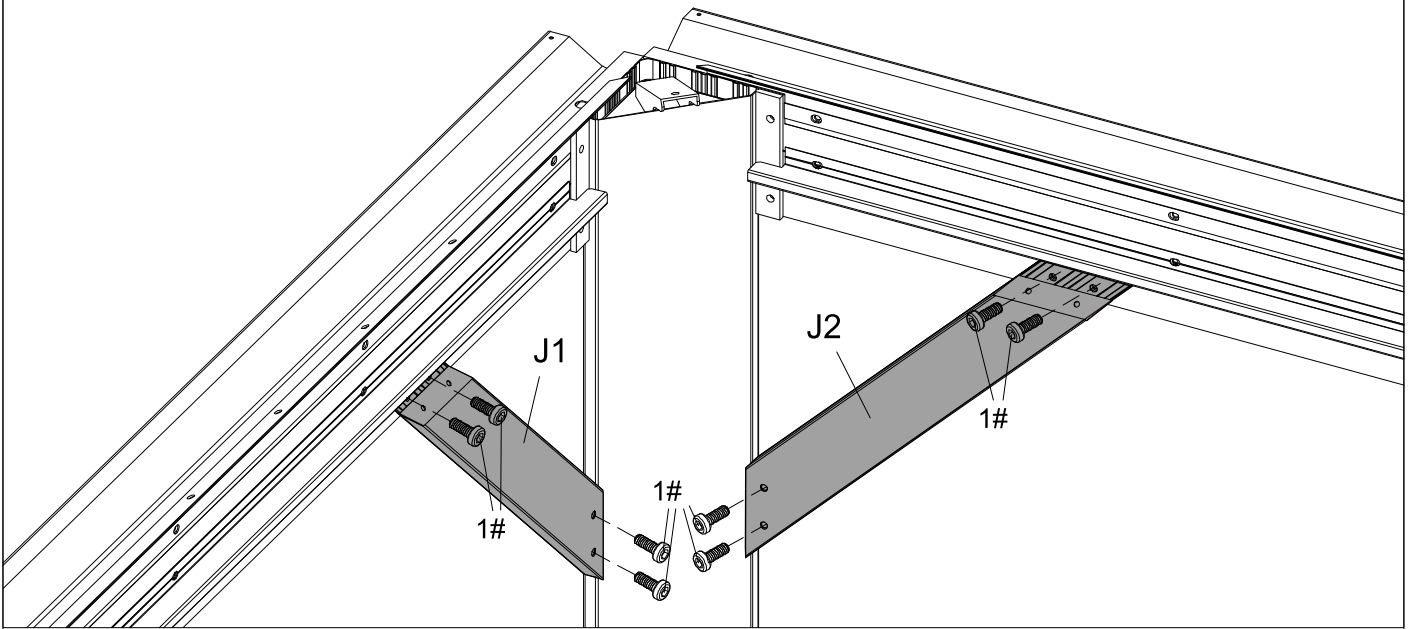
J1 (x4)



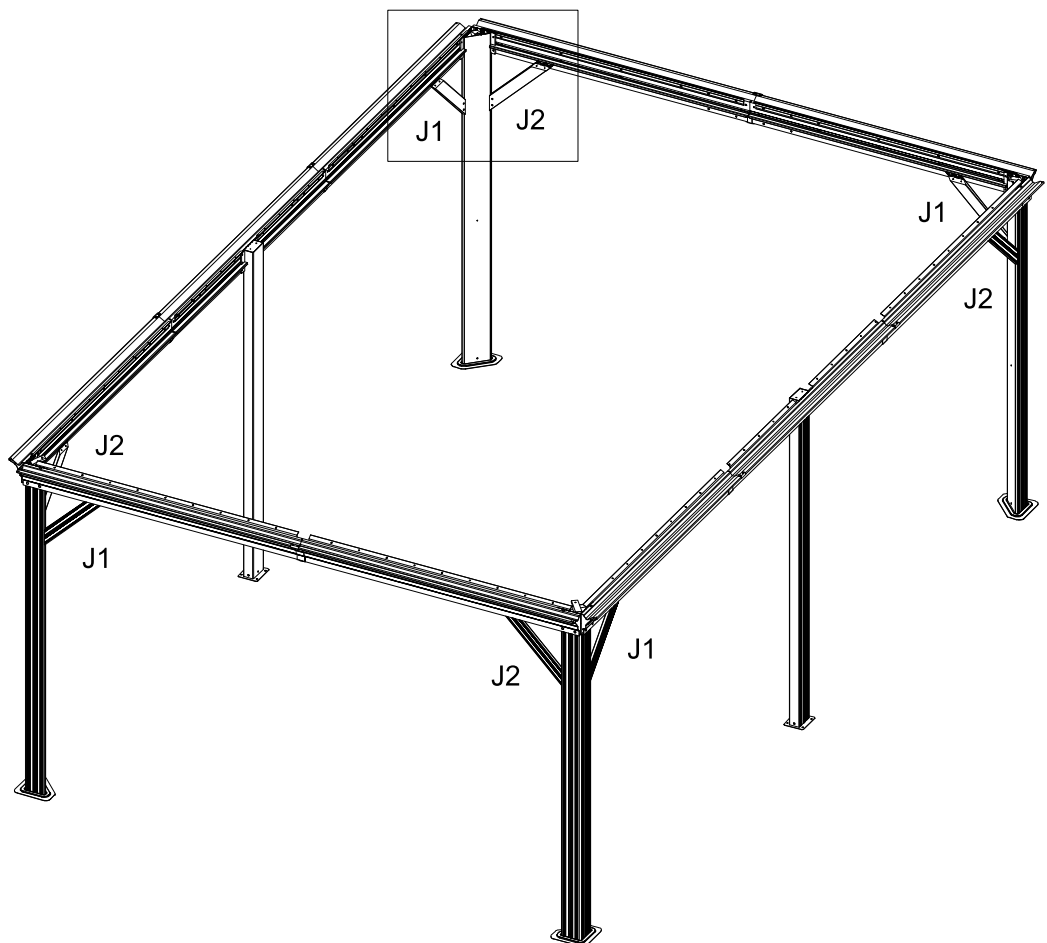
J2 (x4)



M6x16 1#
x32



CORNER SOLIDIFYING BAR ASSEMBLY:



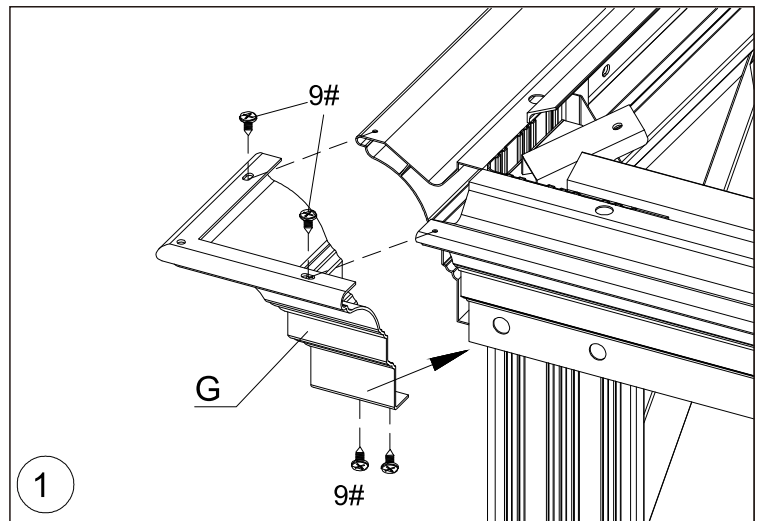
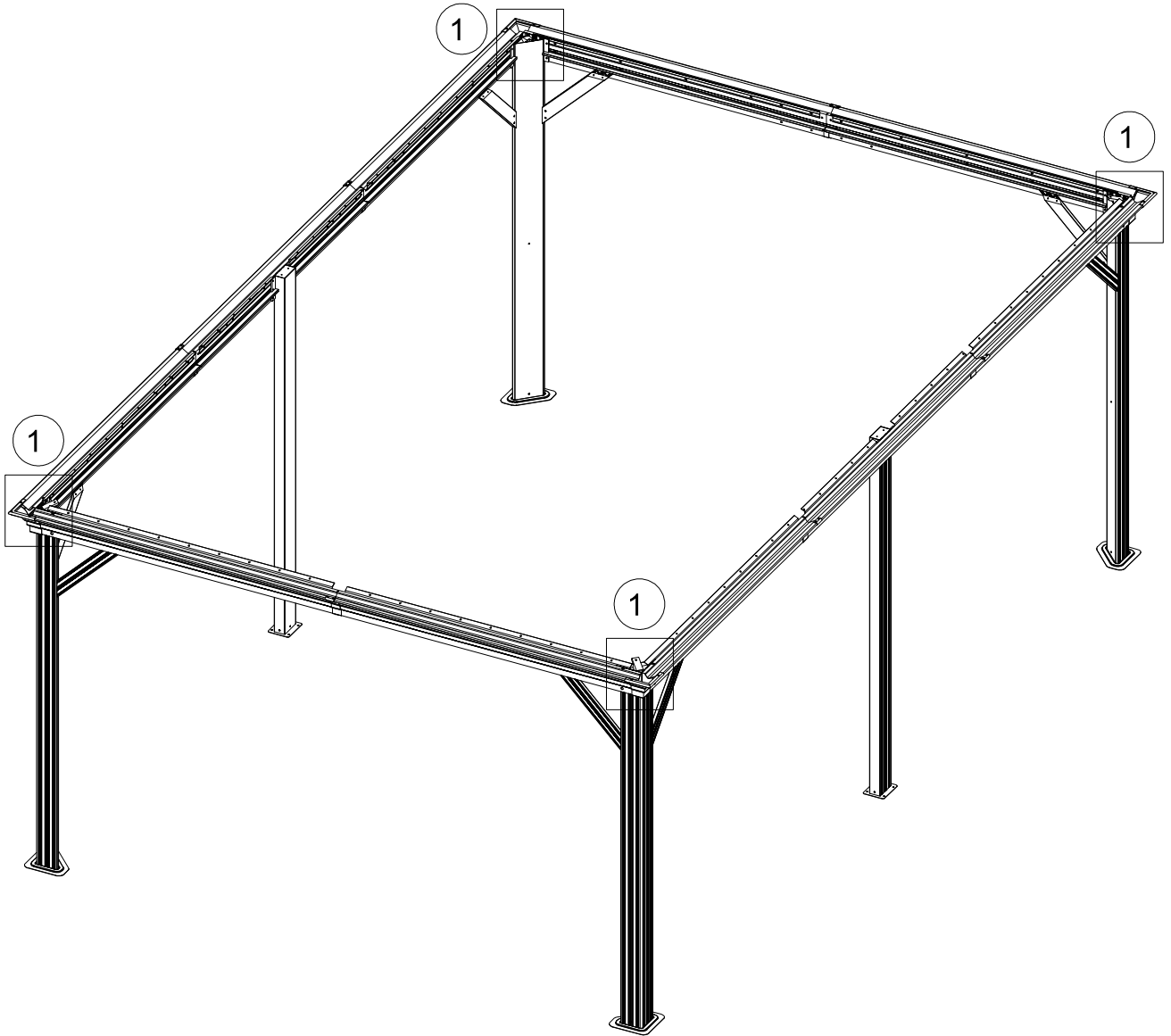


G (x4)



ST4.8 x13 9# x16

CORNER COVER & JOINT COVER ASSEMBLY:

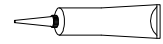




H x6

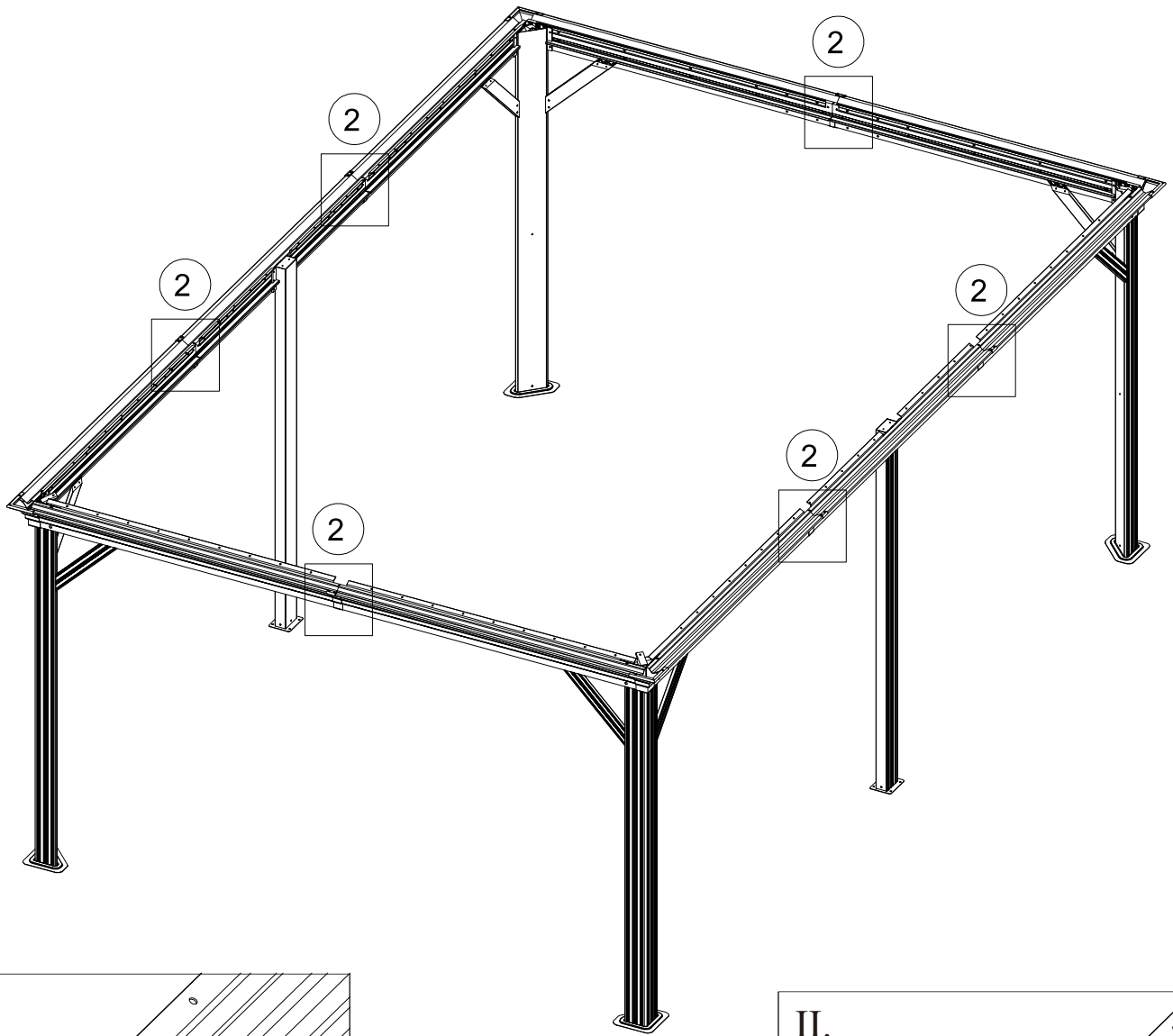


ST4.8 x13 9# x12

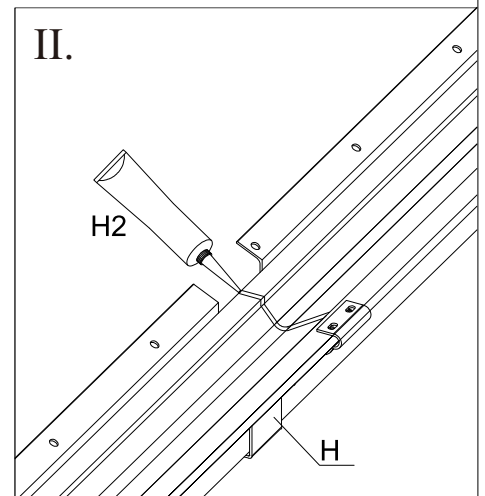
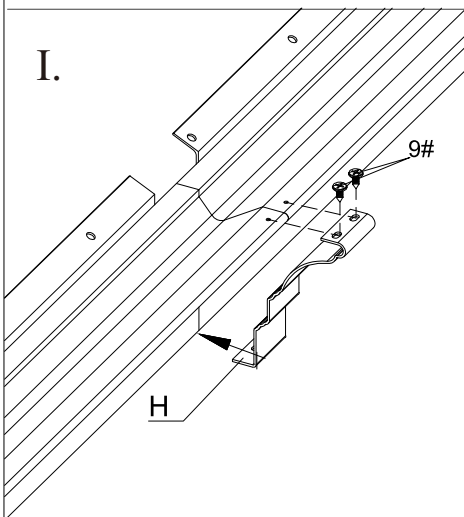


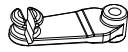
H2 x1

Use 5mm silicone sealant(part #H2) and Joint Cover #H to affix the gap.



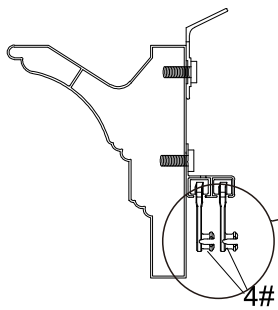
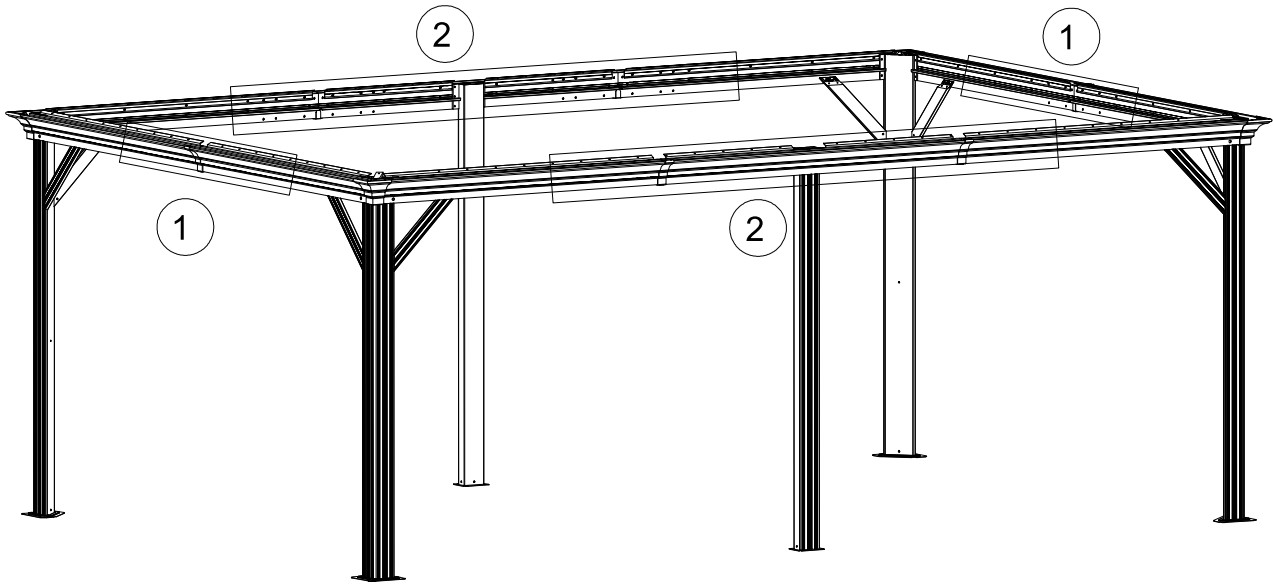
2





4#
x56

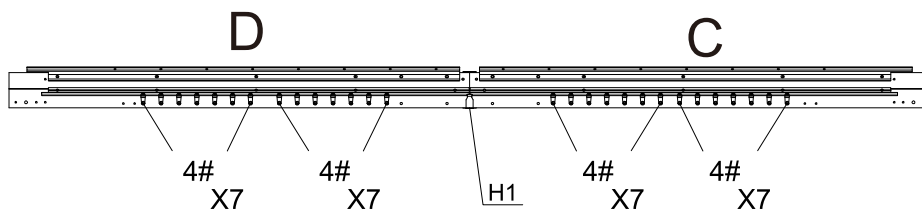
PLASTIC HOOKS ASSEMBLY



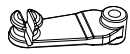
Double Track

(1) Slide the plastic hooks to the double-rail track #D1 & C1 (each slot should slide 7 plastic hooks).

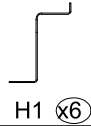
1



INSIDE VIEW



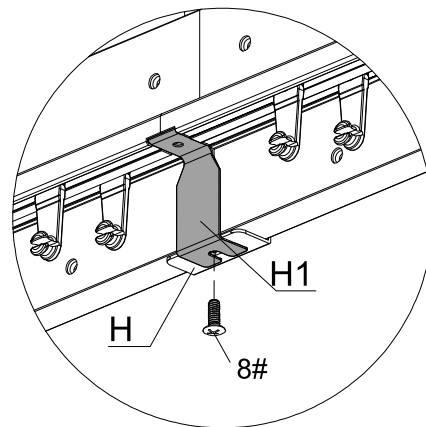
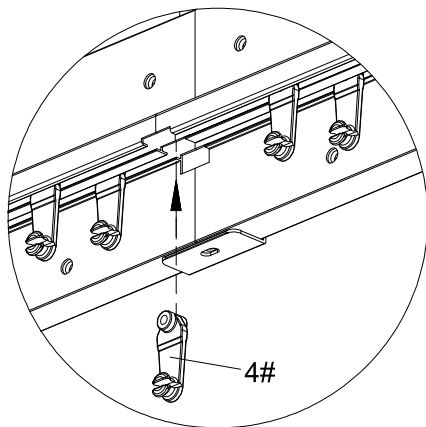
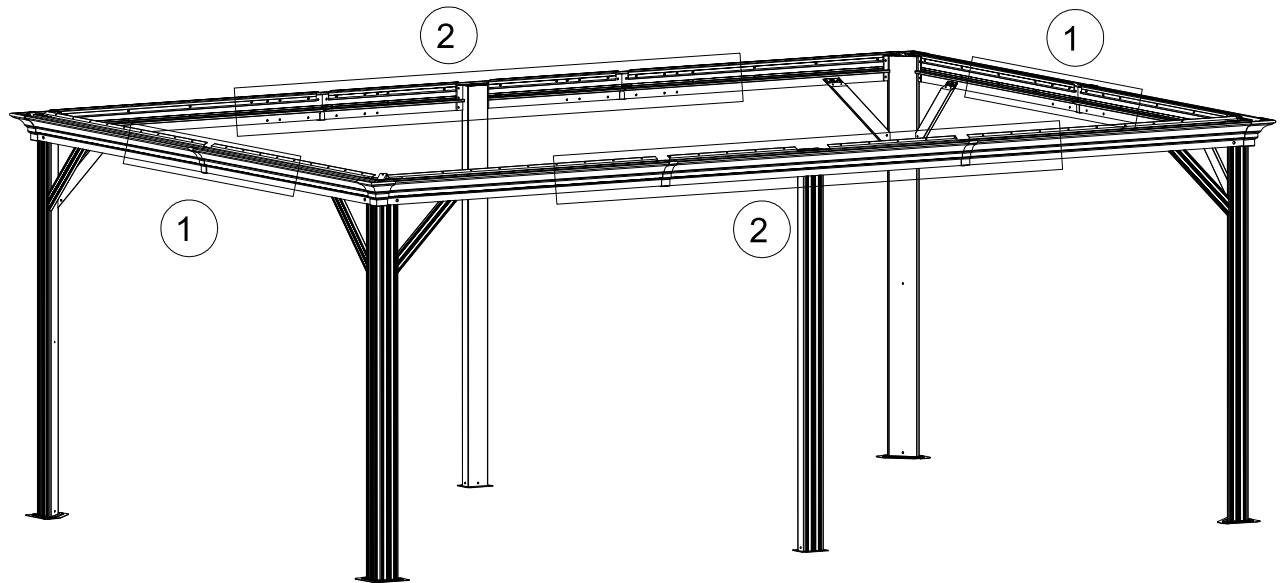
4#
x88



H1 x6



8#
x6



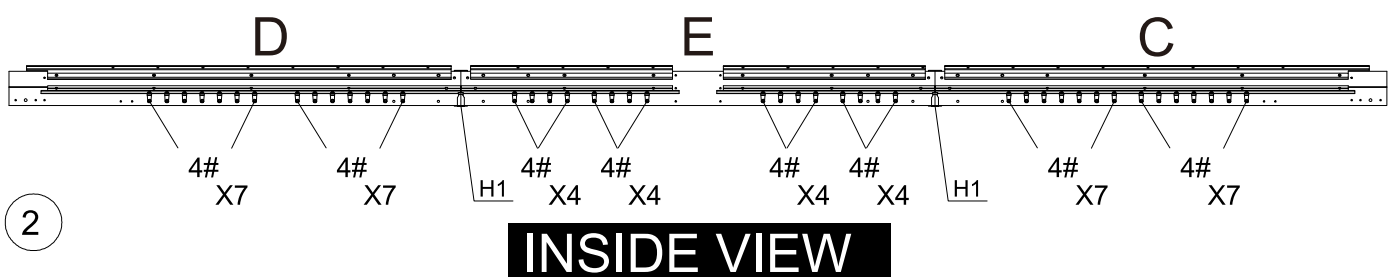
(2) Slide the plastic hooks to the double-rail track #D1 (each slot should slide 7 plastic hooks).

Slide the plastic hooks to the double-rail track #E1a (each slot should slide 4 plastic hooks).

Slide the plastic hooks to the double-rail track #E1b (each slot should slide 4 plastic hooks).

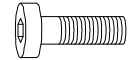
Slide the plastic hooks to the double-rail track #C1 (each slot should slide 7 plastic hooks).

(3) Use 6 Bolts #8 to secure the Joint Cover #H & H1 to the beam.



Mb x4

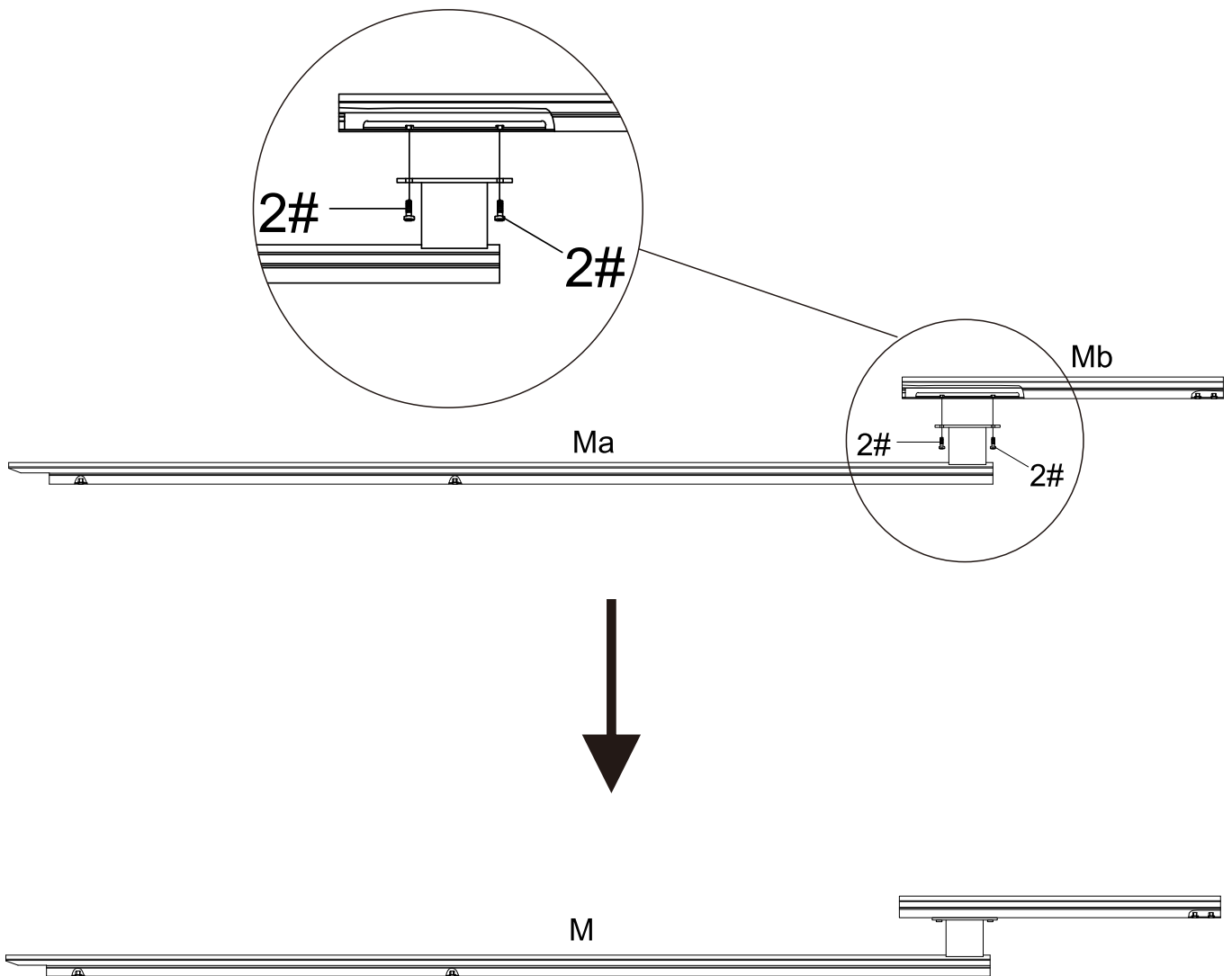
Ma x4

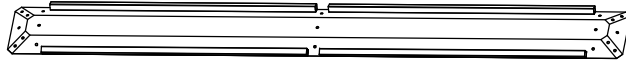


2#
x8

CORNER ROOF TUBE ASSEMBLY:

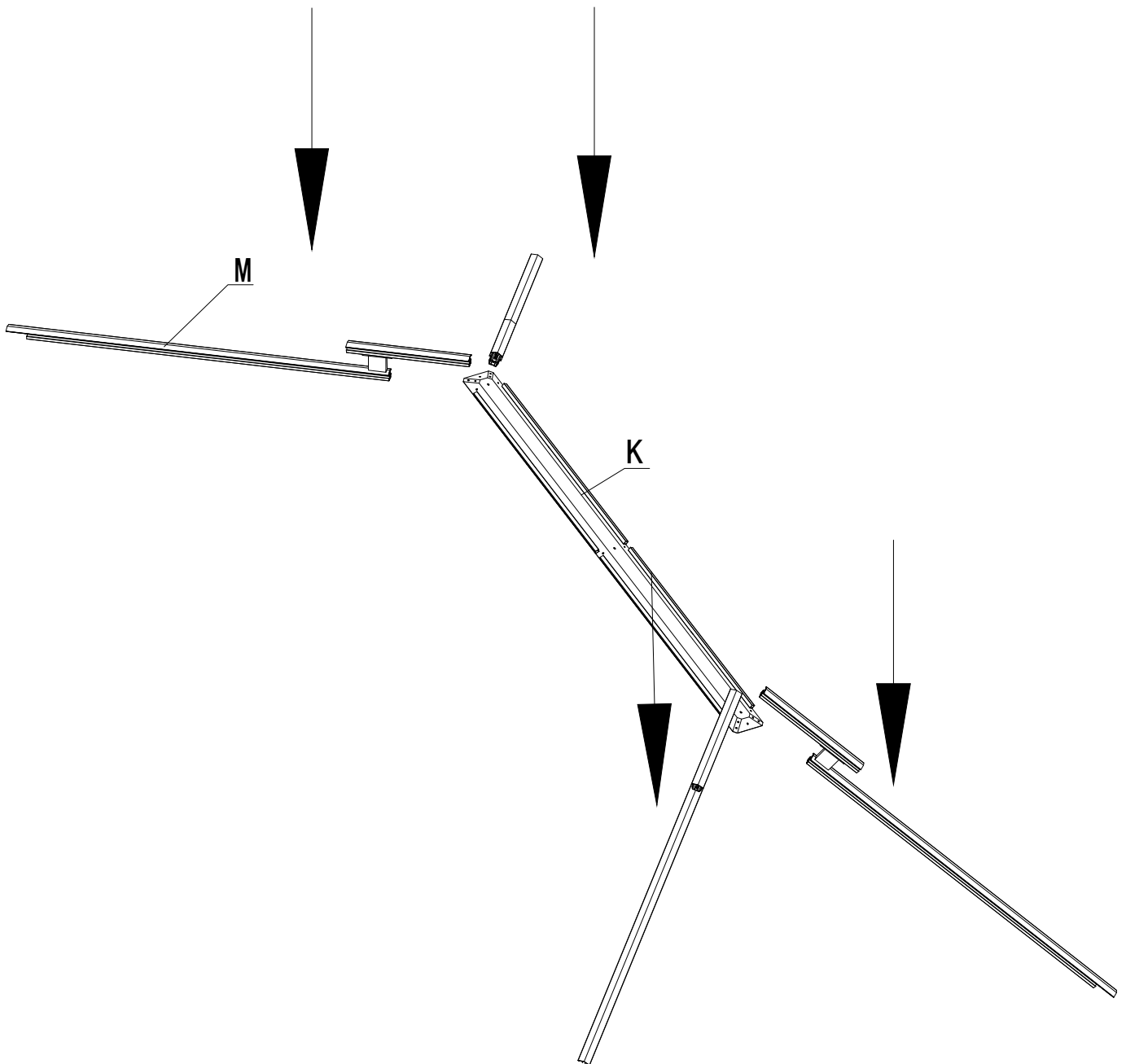
(1) Connect Part #M1 and Part #M with 2 Bolts #2.
Repeat the above procedures to assemble the other 3 Corner Roof Bars.





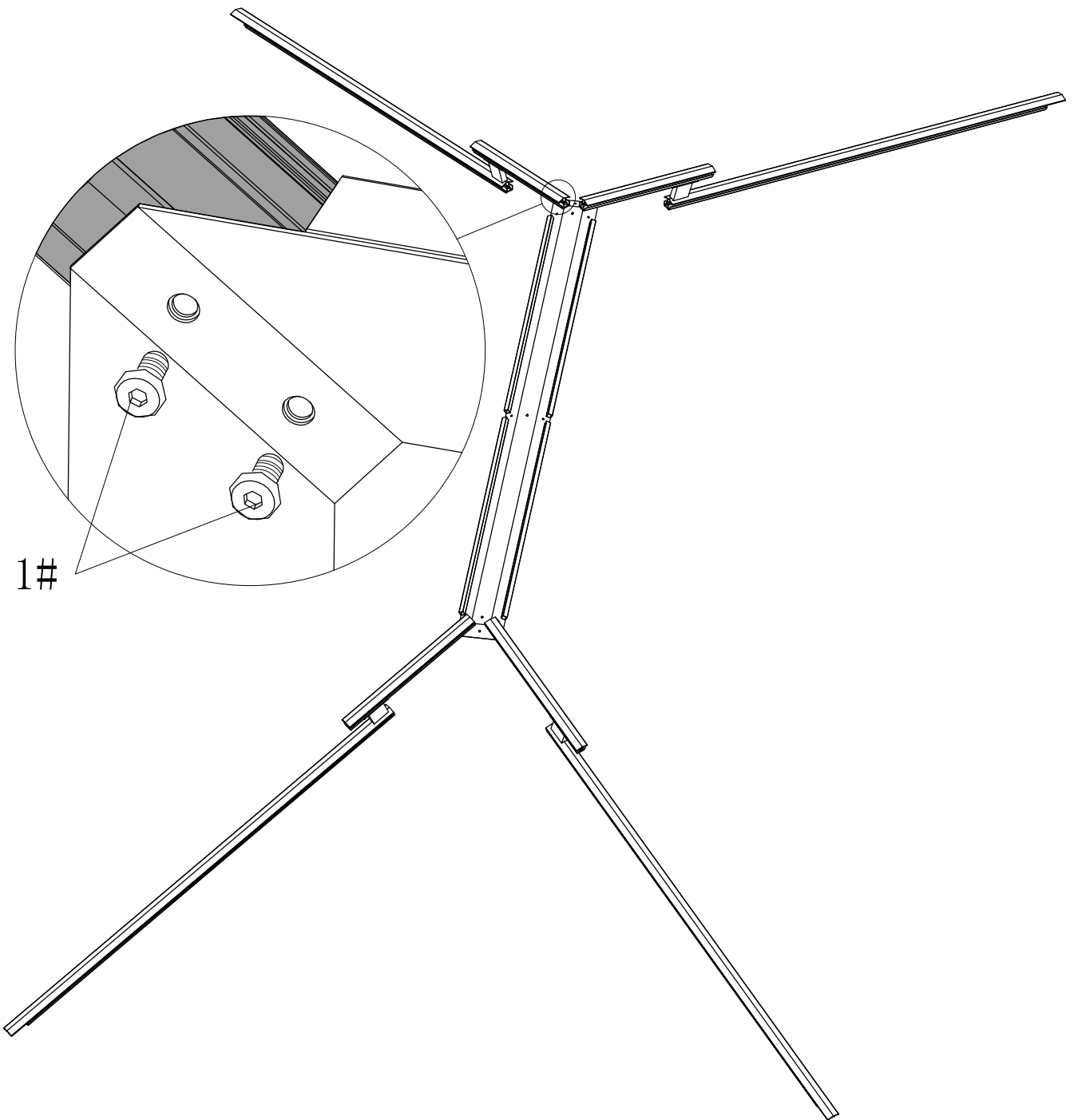
K (x1)

CORNER ROOF TUBE AND INSIDE ROOF CONNECTOR ASSEMBLY:

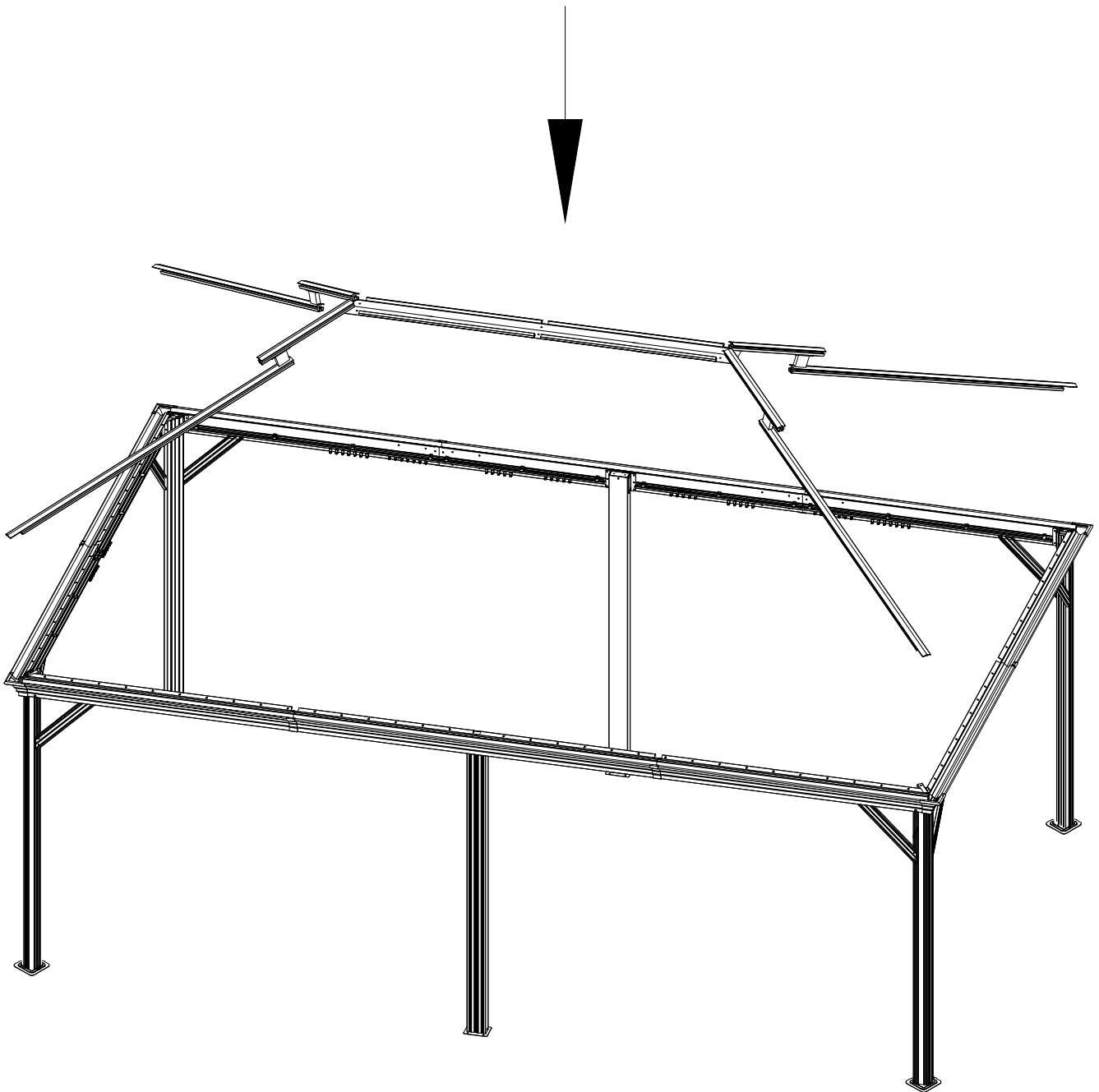


1#
x8

Place 4 Corner Roof Tubes on the 4 corners of Inside Roof Cover #K ,secure with 8 Bolts #1 (from bottom to top).

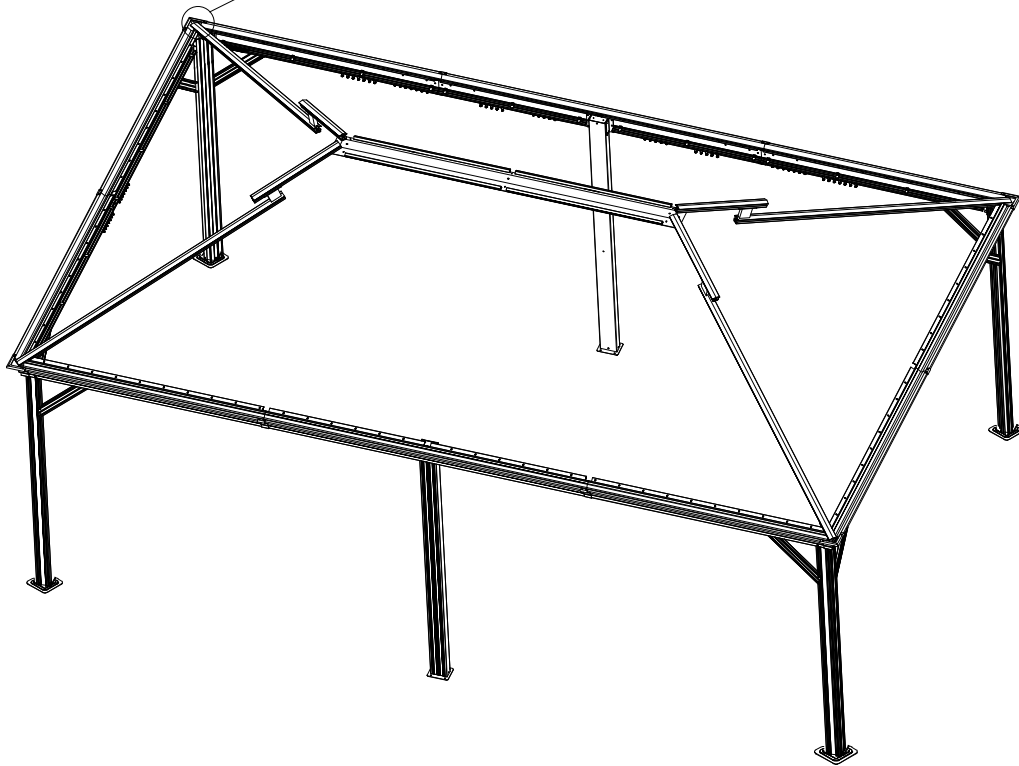
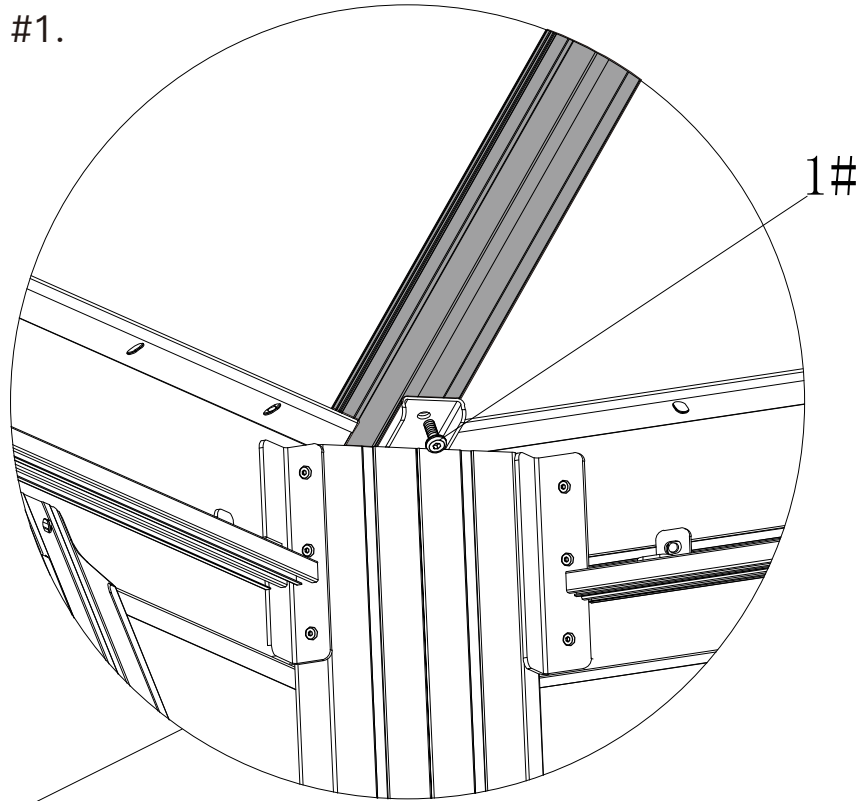


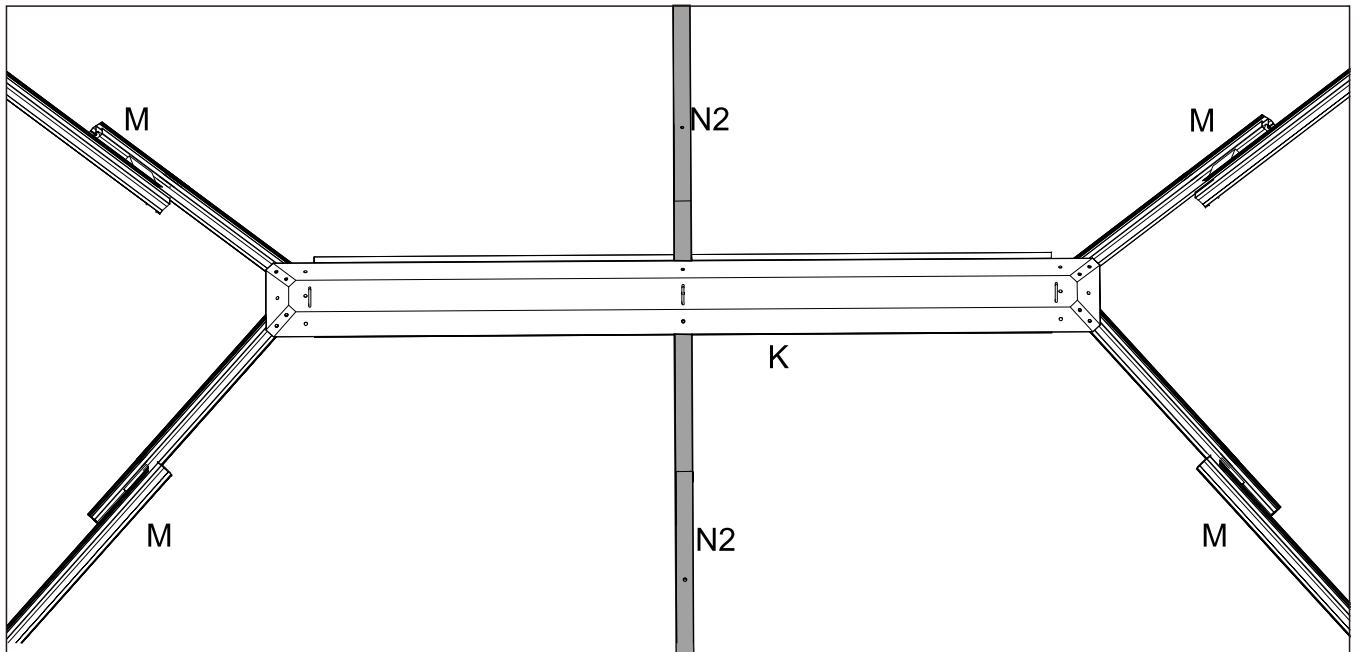
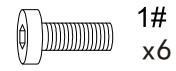
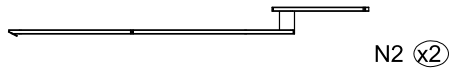
Lift 4 corner roof Tubes and inside roof connector to the top of the frame.(You may need 2 people and 2 ladder).



1#
×4

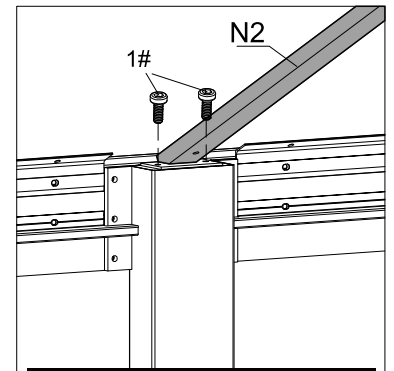
Secure with 4 Bolts #1.



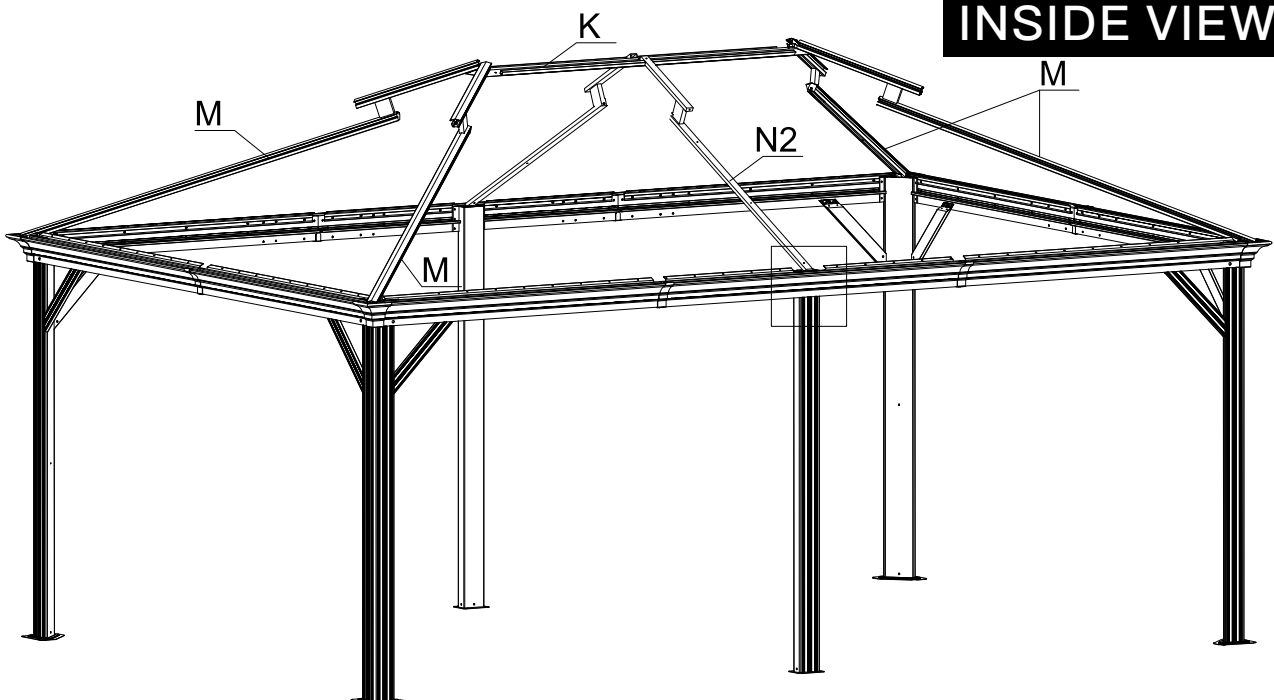


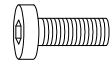
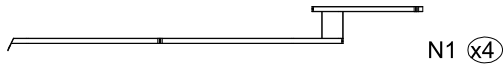
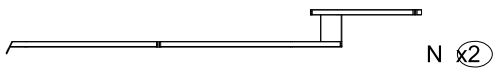
BOTTOM VIEW

MIDDLE ROOF TUBE ASSEMBLY:

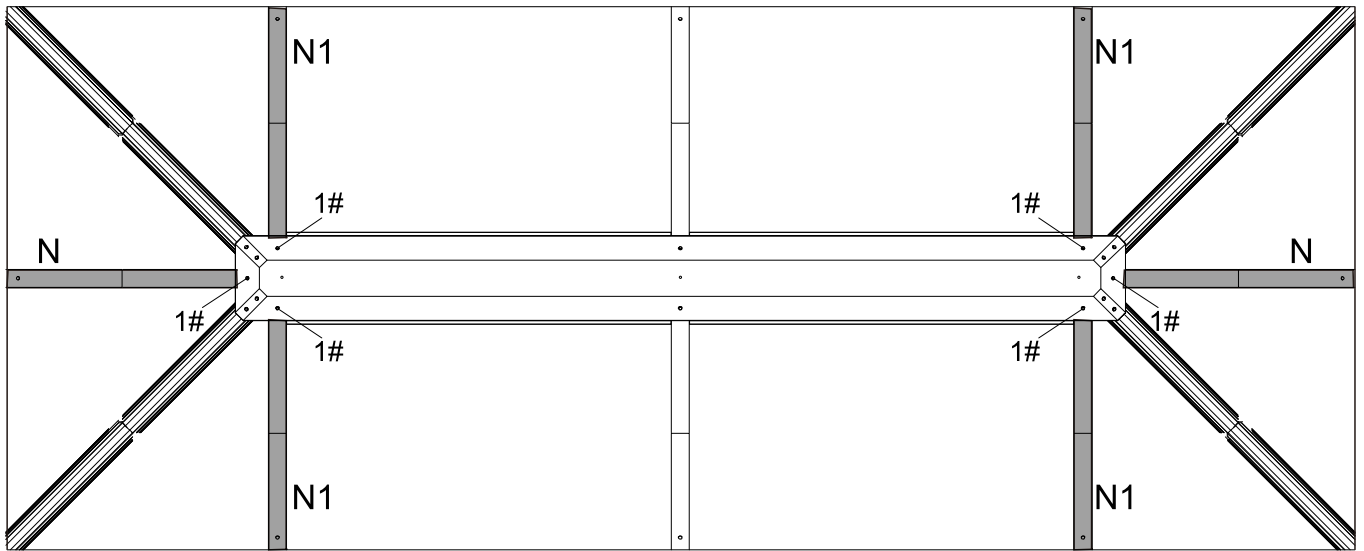


INSIDE VIEW

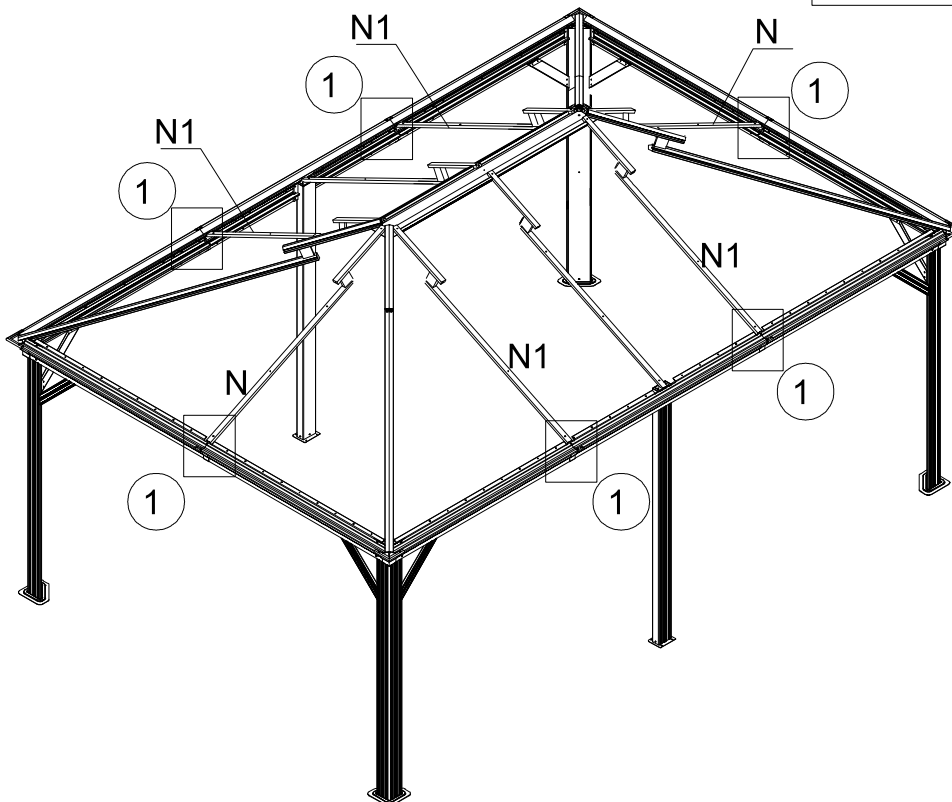
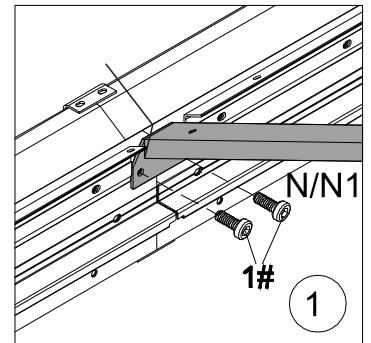




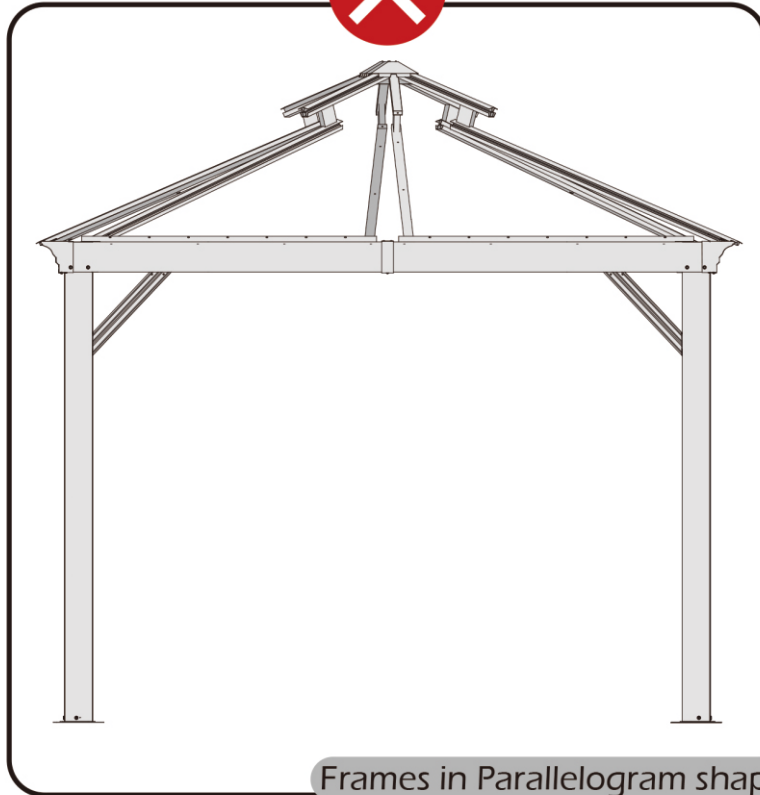
1#
x18



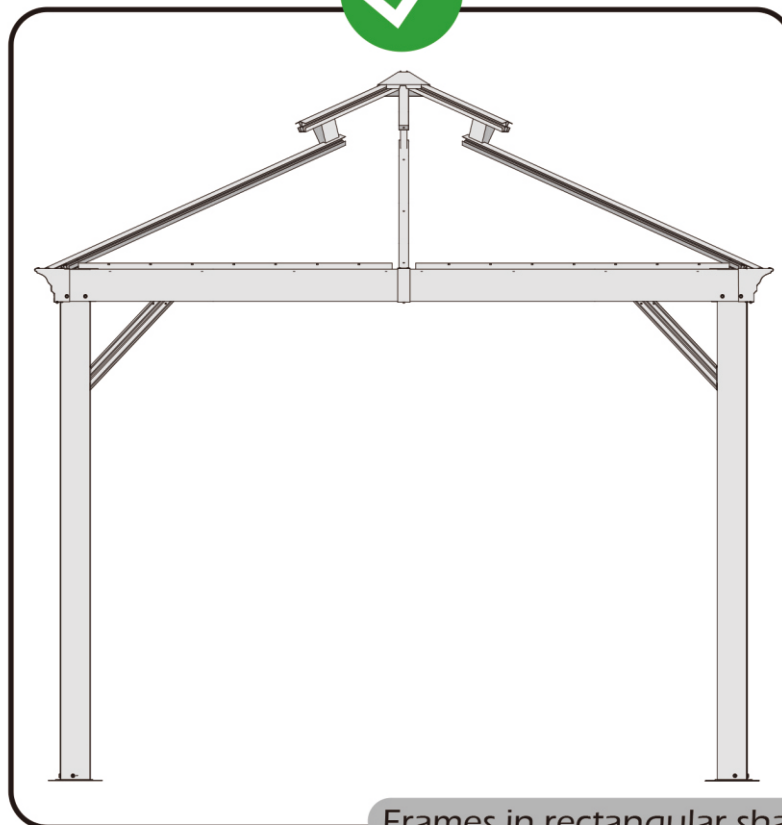
BOTTOM VIEW



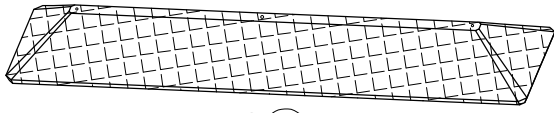
Check the the frame as pictures below shows.



Frames in Parallelogram shape



Frames in rectangular shape



O (x1)

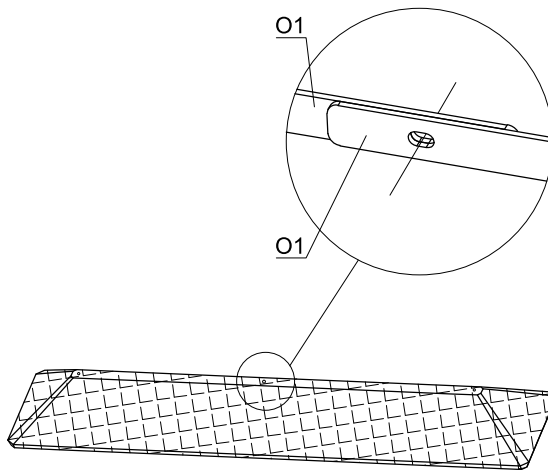
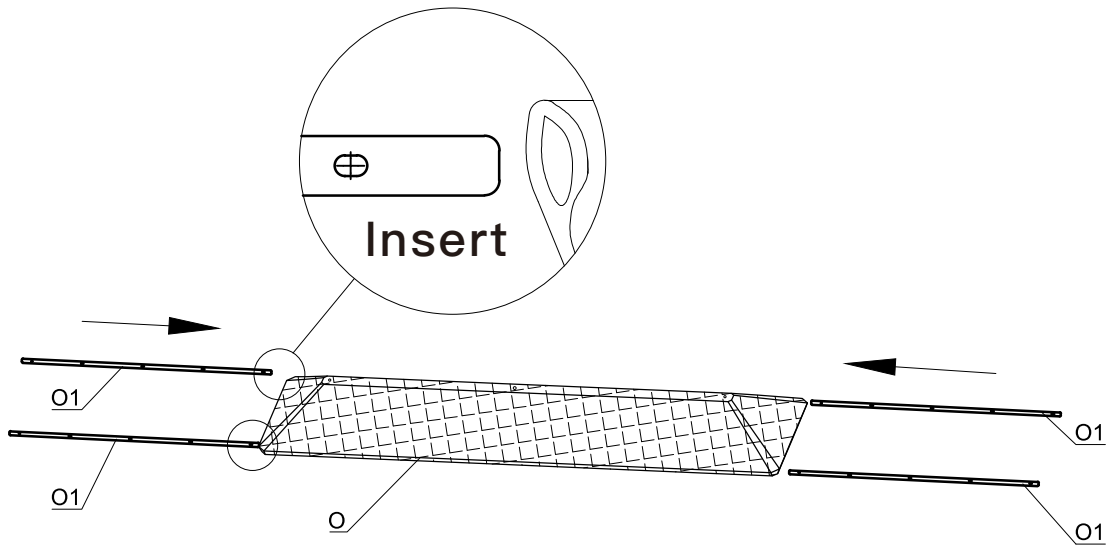


O1 (x4)

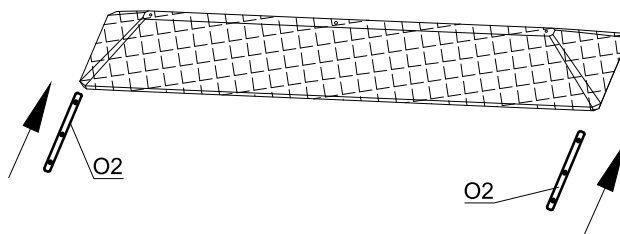


O2 (x2)

PLASTIC BAR ASSEMBLY:



Align the holes





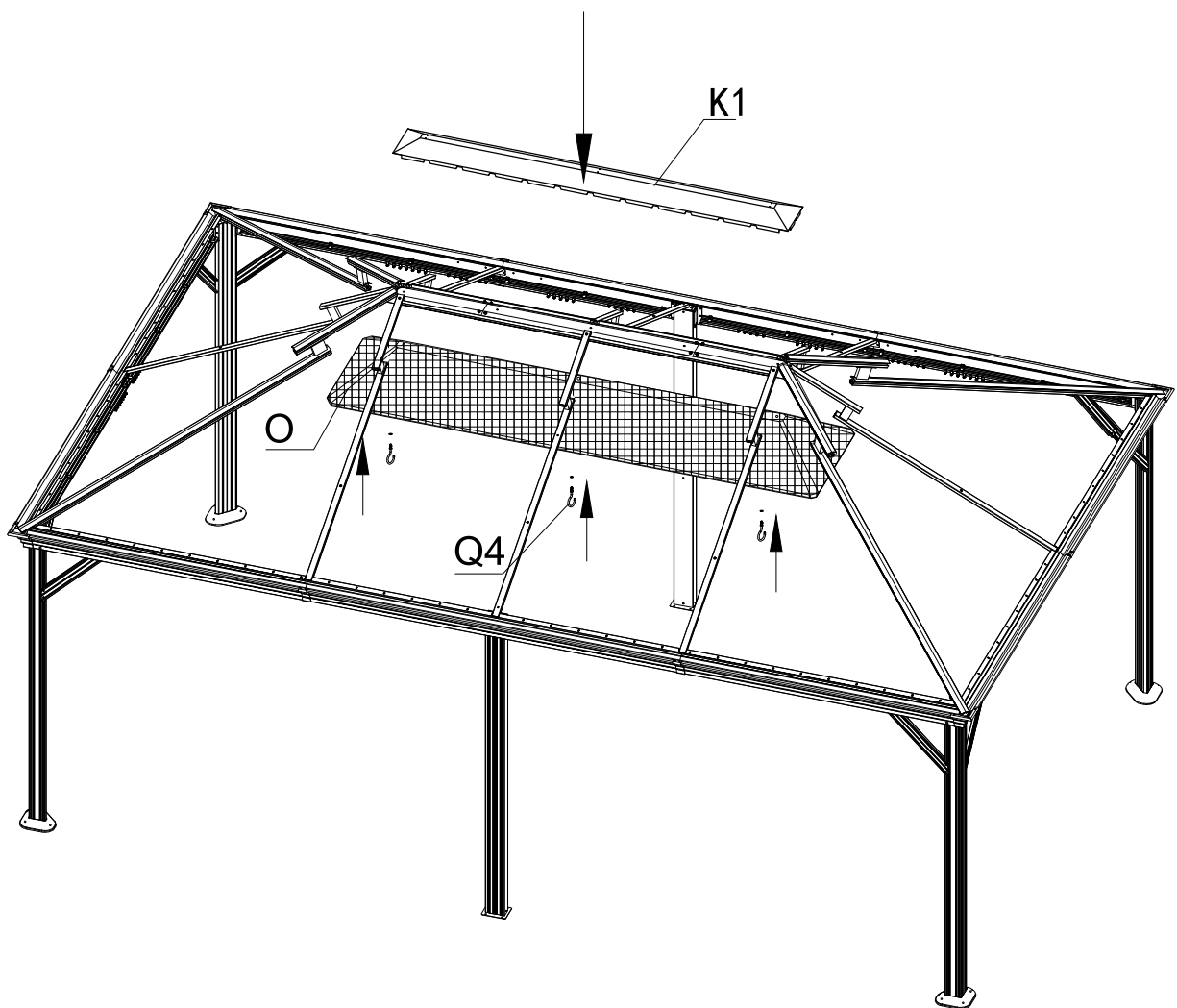
K1 (x1)



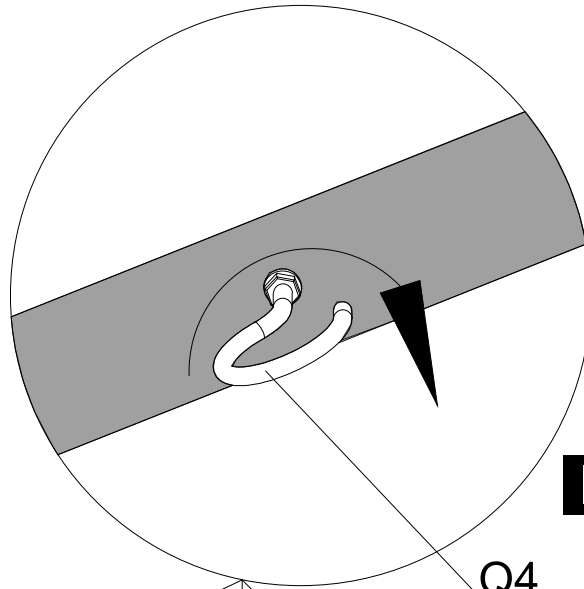
Q4 (x3)

OUTSIDE ROOF COVER AND MESH ASSEMBLY:

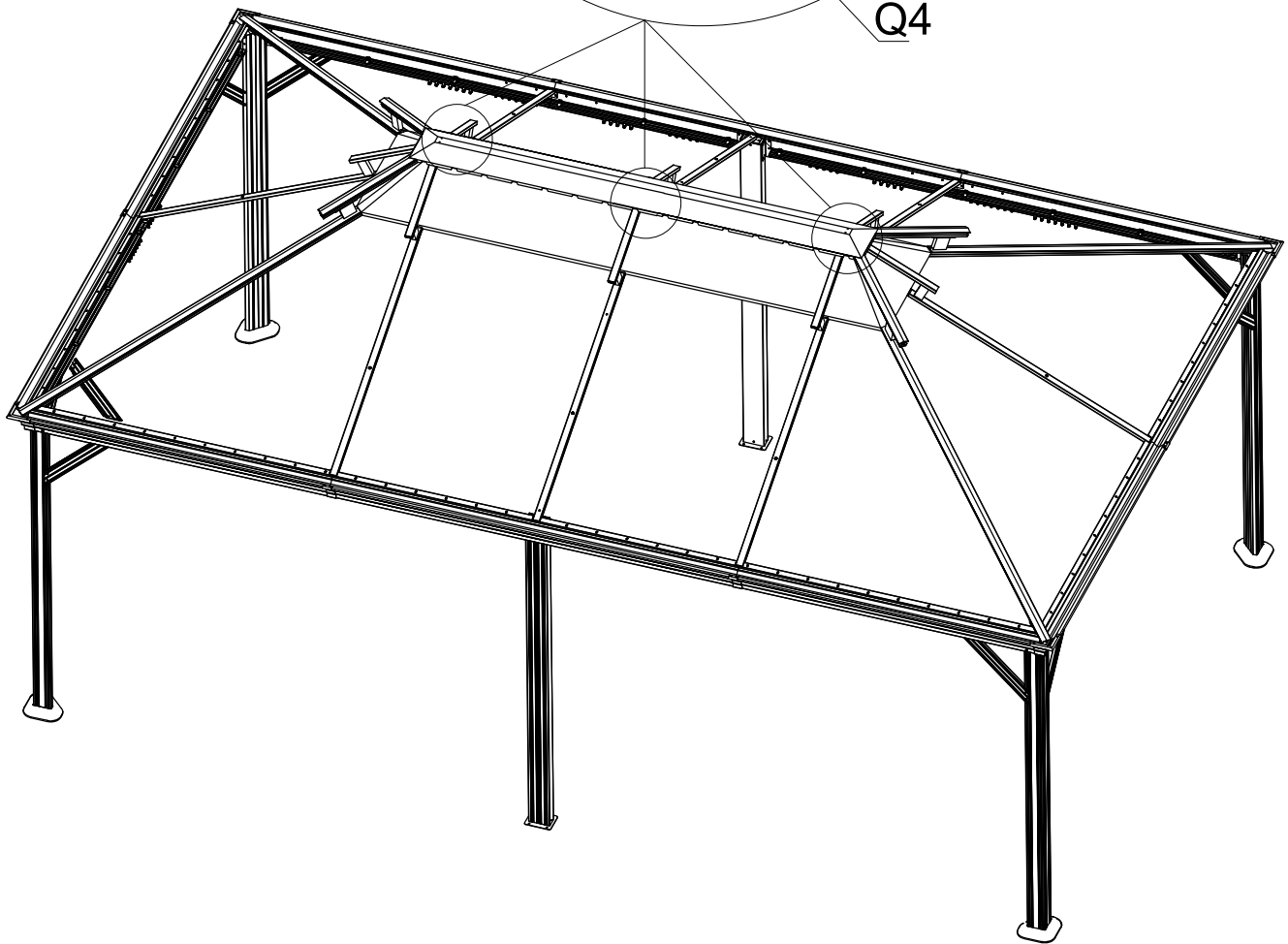
- (1) Place the Outside Roof Cover on the Roof Cover.
- (2) Align the holes and use 3 Hooks #Q4 to secure Mesh #O to the inside Roof Cover (From Bottom to Top).

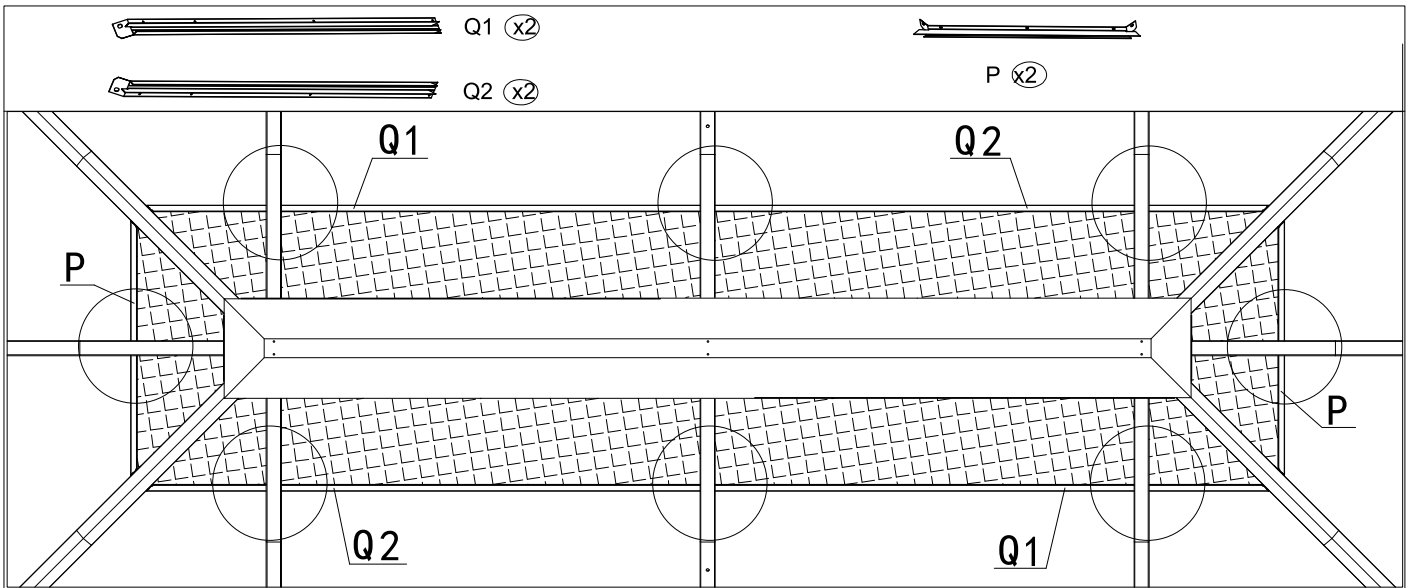


Tighten the holes.

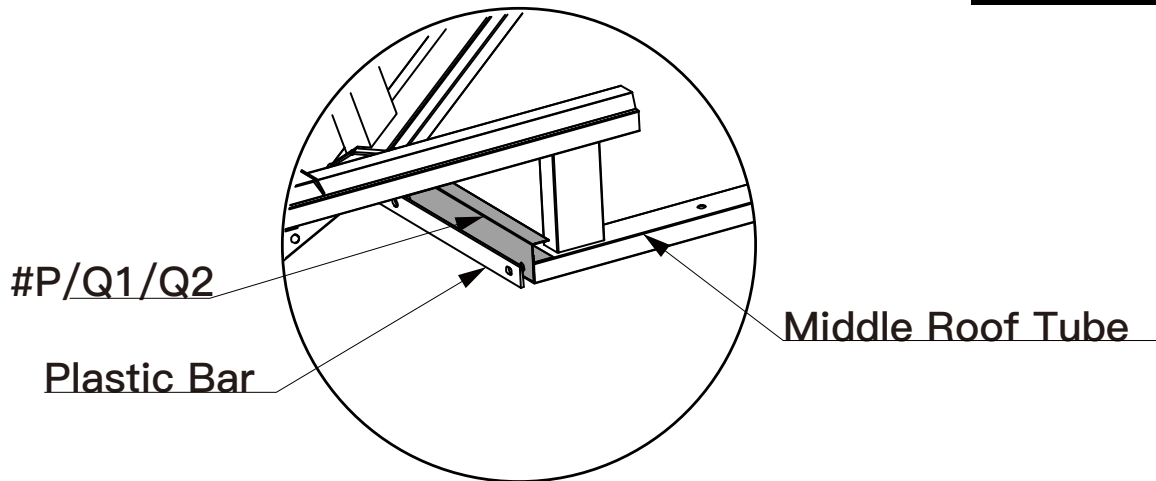


INSIDE VIEW





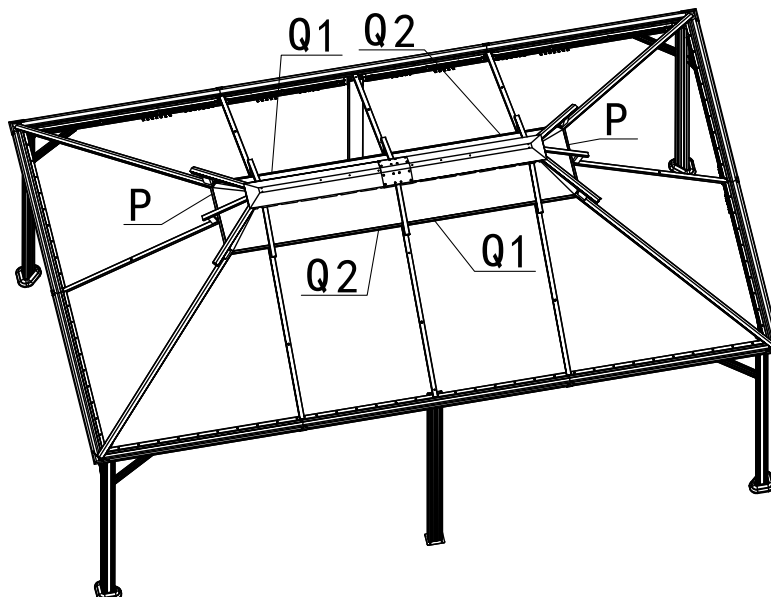
TOP VIEW

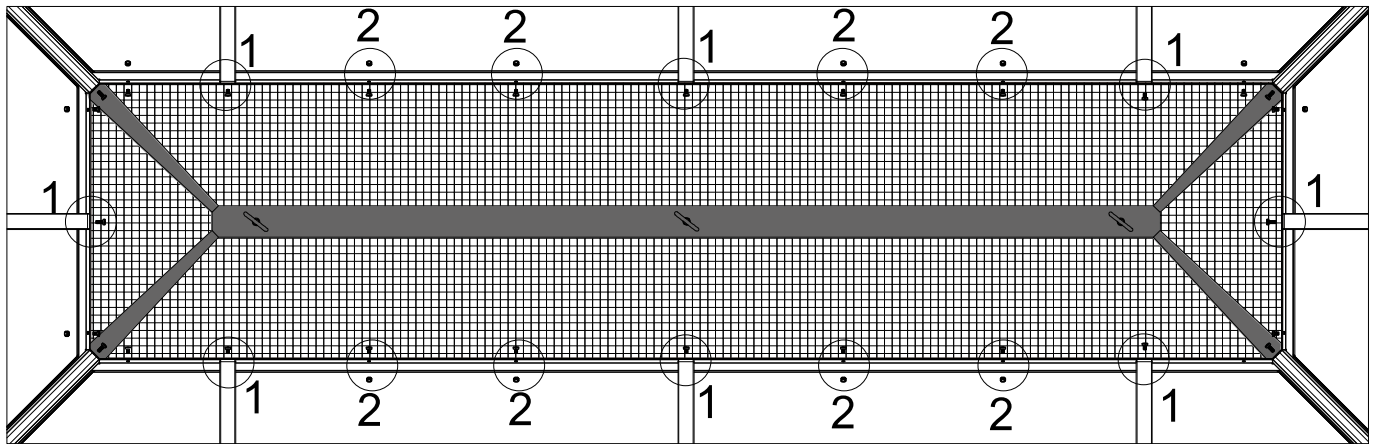
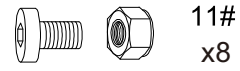
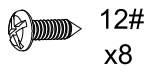


INSIDE VIEW



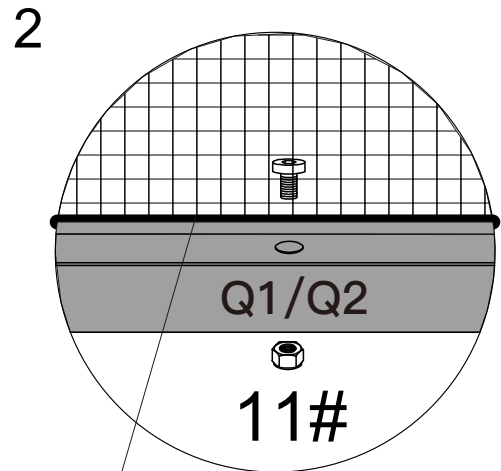
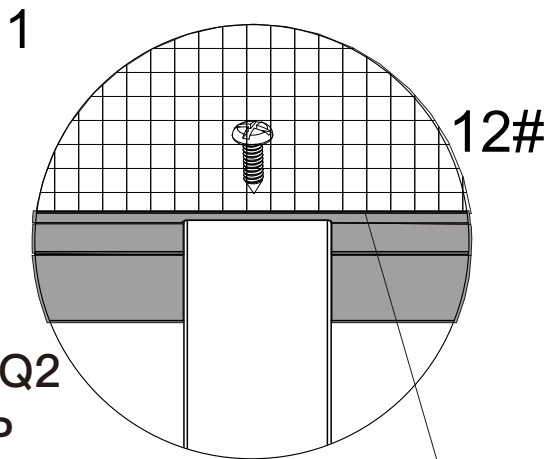
Please do not pull plastic bar out when installing it with #P, Q1& Q2 on the middle roof tube.





BOTTOM VIEW

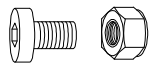
Extend the small mesh, then secure the plastic bar inside the small mesh and the finishing bar to the roof tube.



Plastic Bar
in the mesh



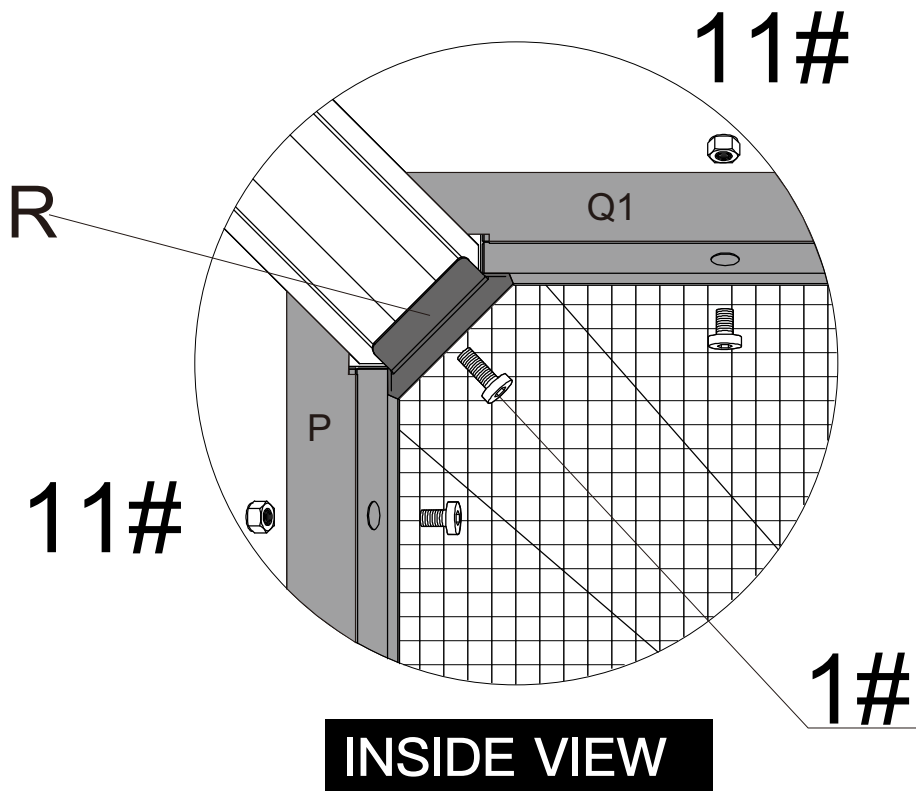
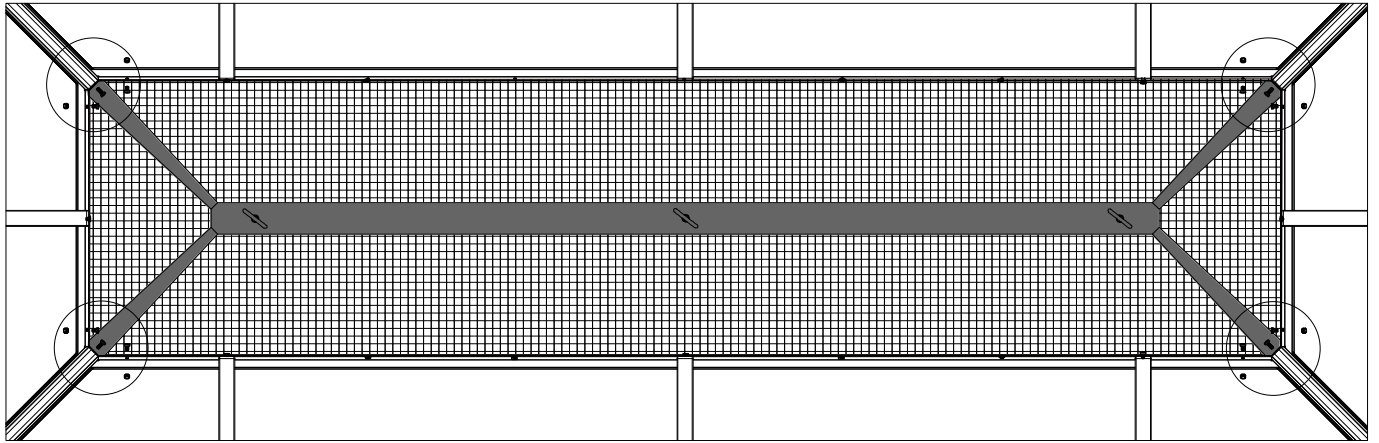
R x4

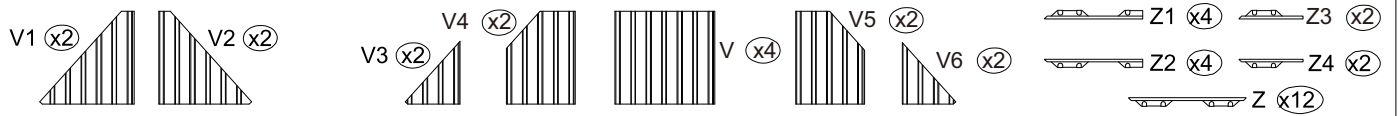


11#
x8

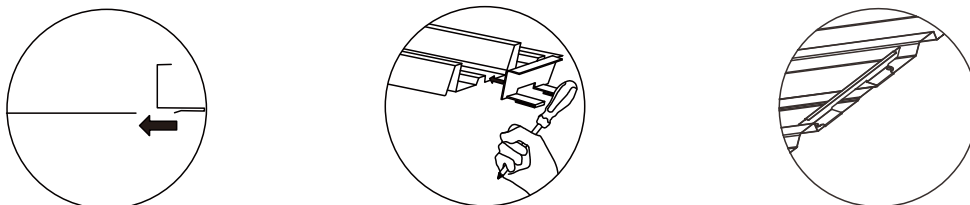
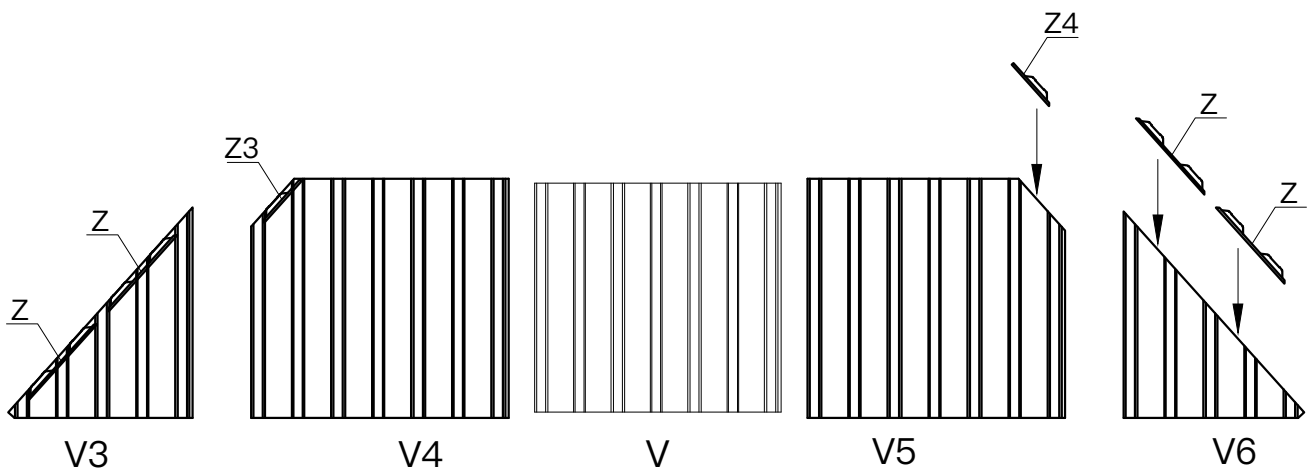
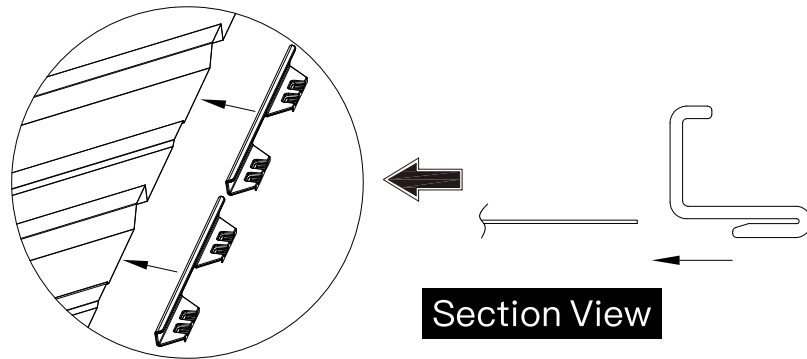
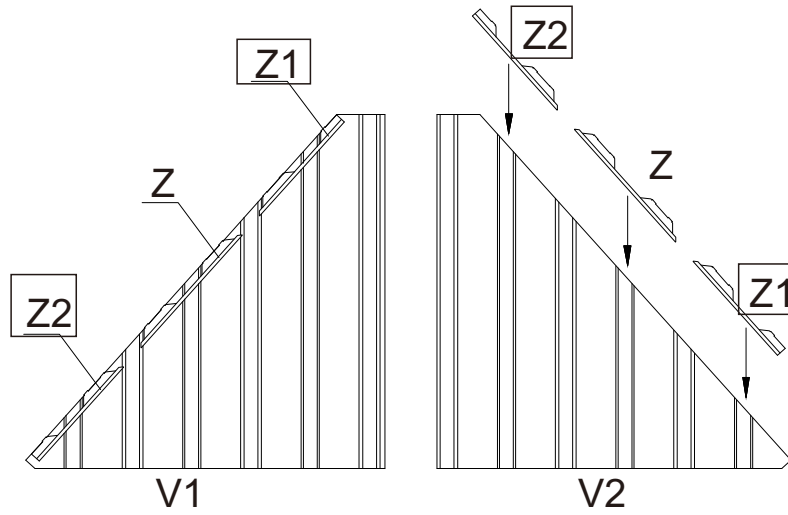


1#
x4

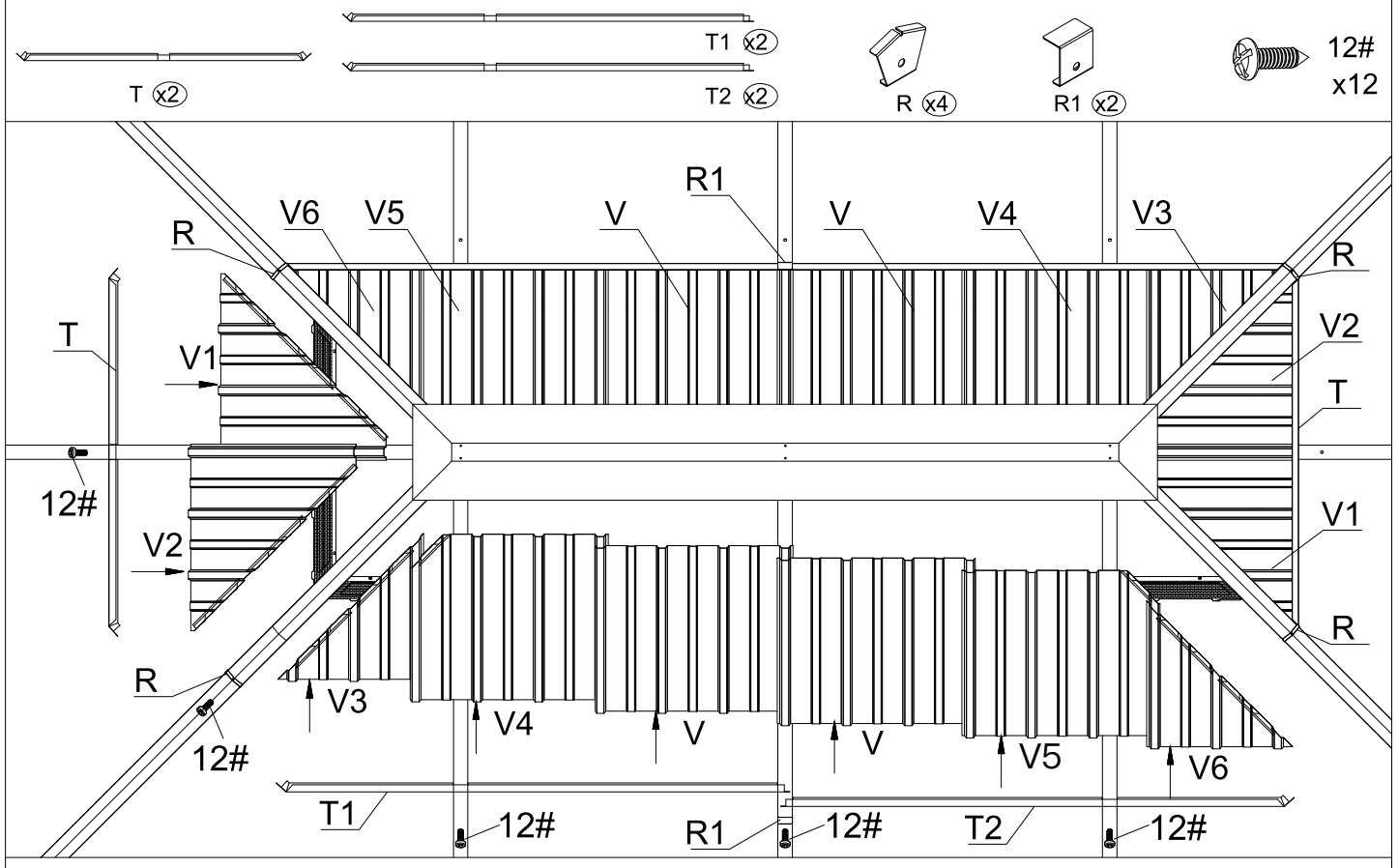




Please install Clips in strict accordance with the instructions.

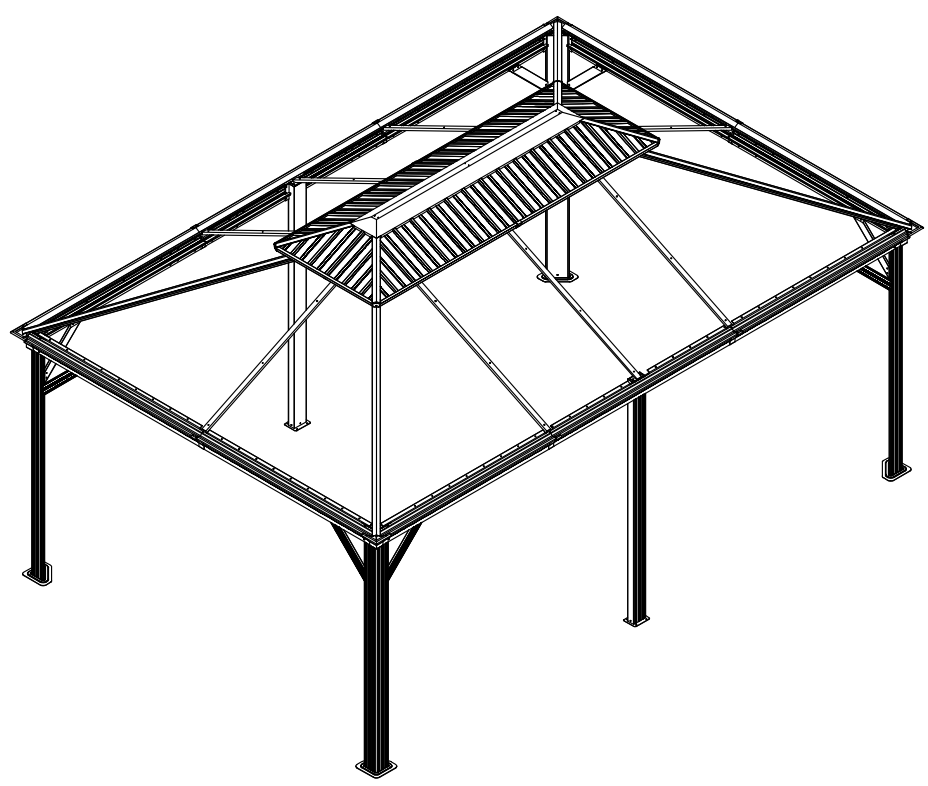


Attach Part #Z,#Z1,#Z2,#Z3&#Z4 by lightly tapping with screwdriver.

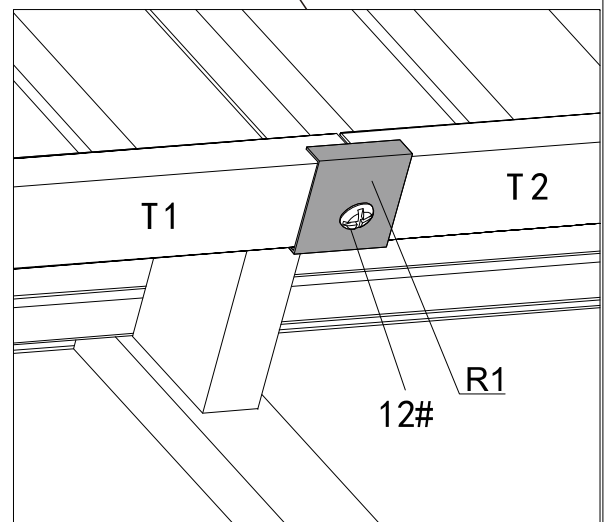
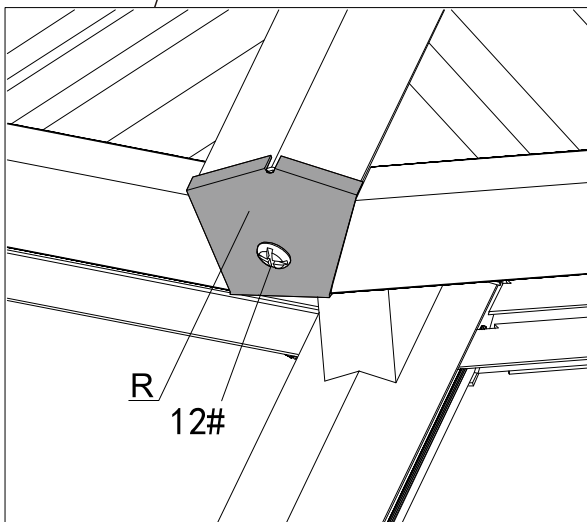
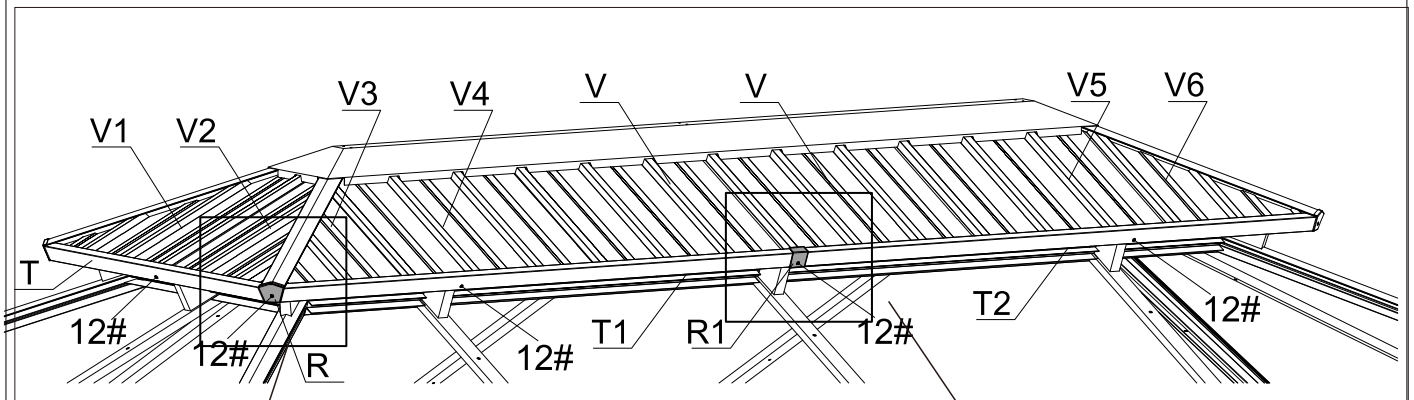



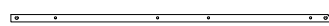


SMALL ROOF PANEL AND FINISHING BAR ASSEMBLY:

If you can't install #V, push the Outside Roof Cover up and try to insert them again.



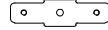
FINISHING END ASSEMBLY:



-  U1 x2
-  U2 x2
-  U3 x2
-  U4 x2



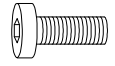
U5 x4



U6 x6

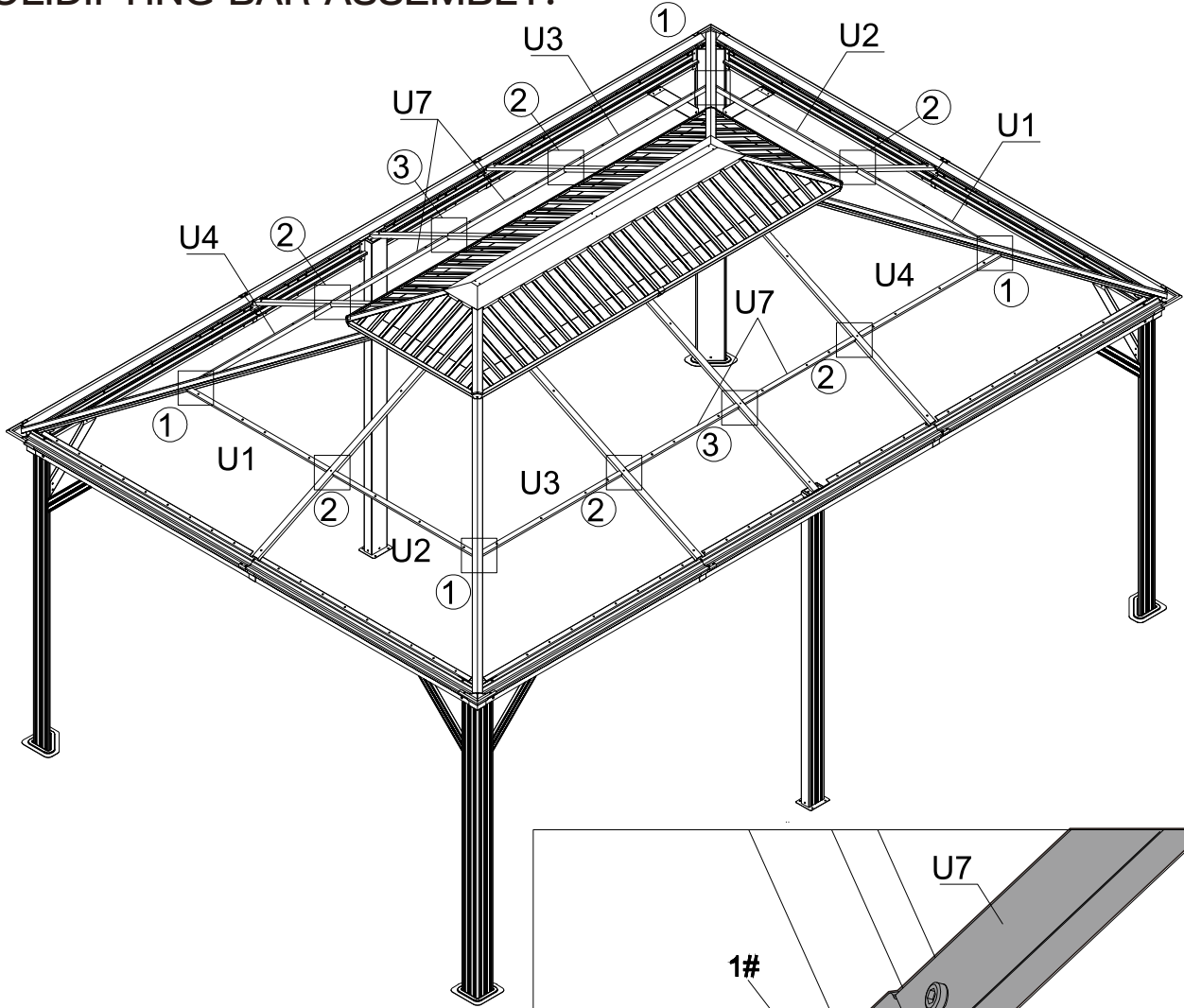


U7 x2

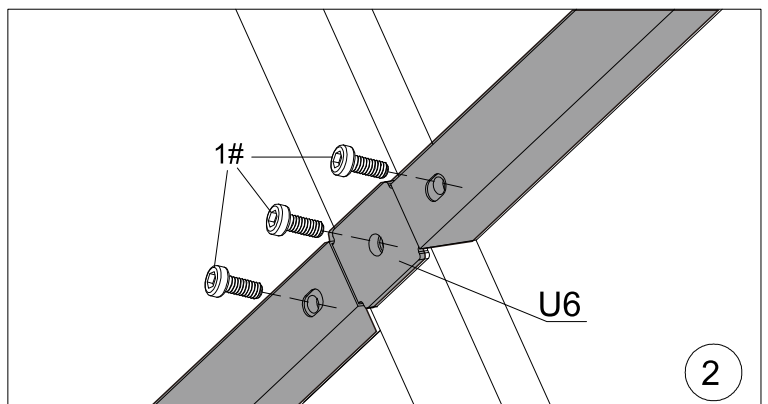
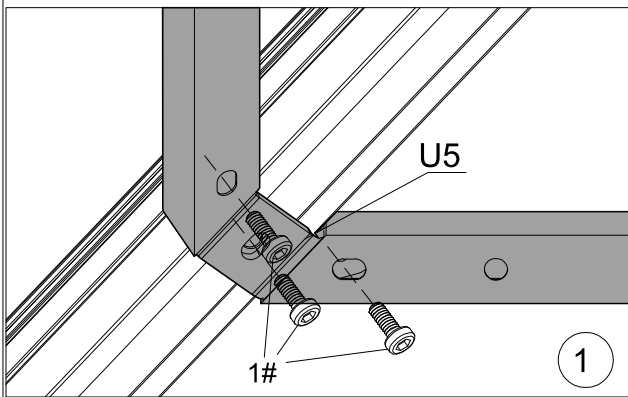
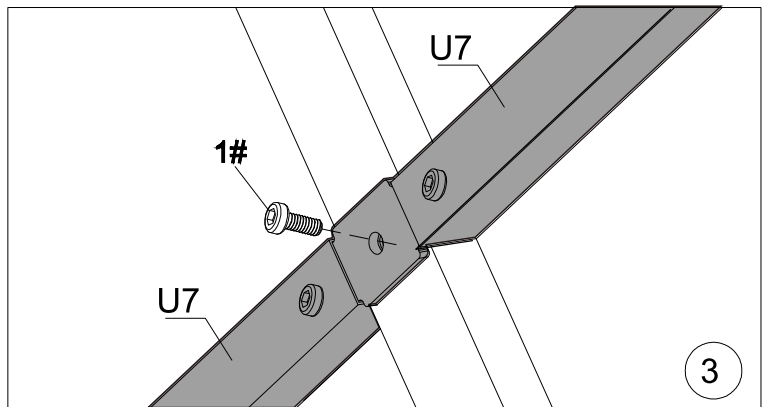


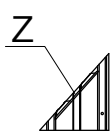
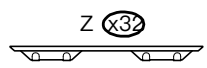
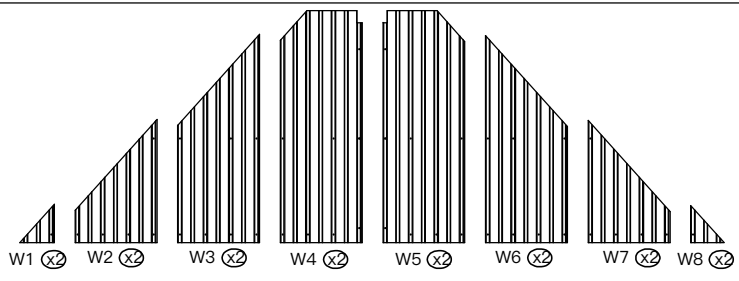
1#
x32

SOLIDIFYING BAR ASSEMBLY:

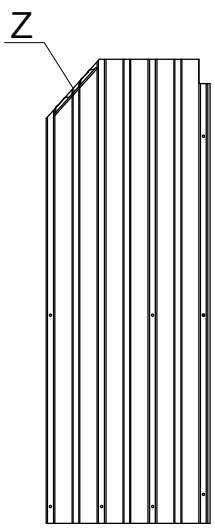


INSIDE VIEW

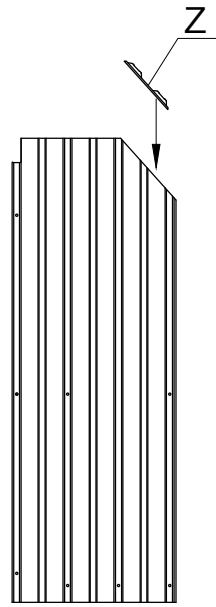




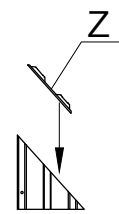
W1



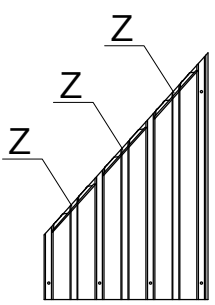
W4



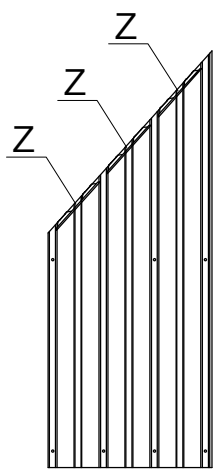
W5



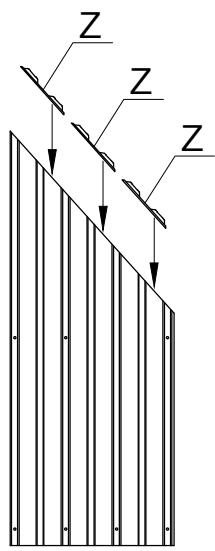
W8



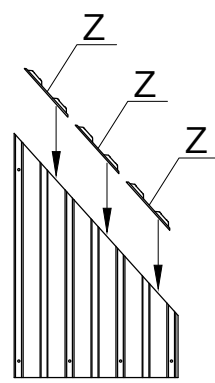
W2



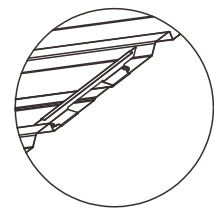
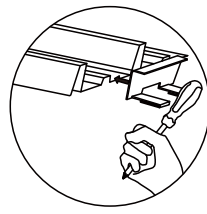
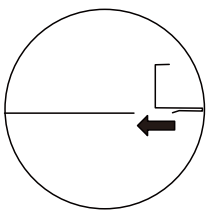
W3

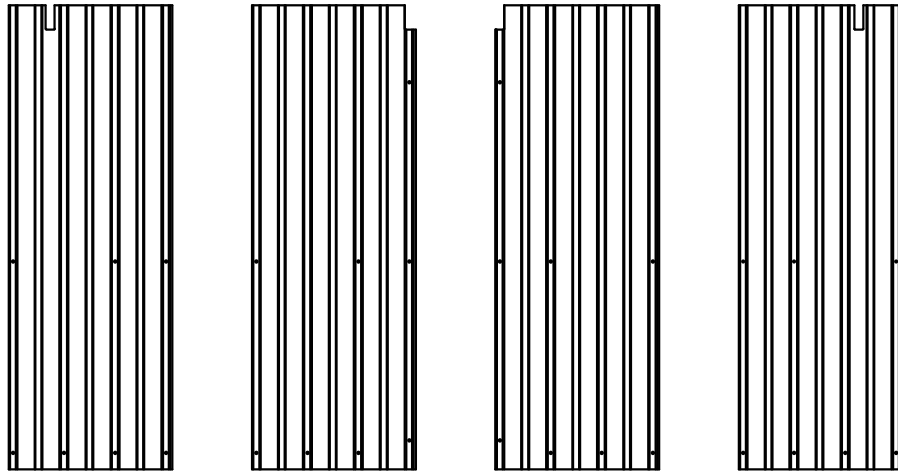
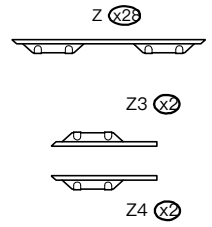
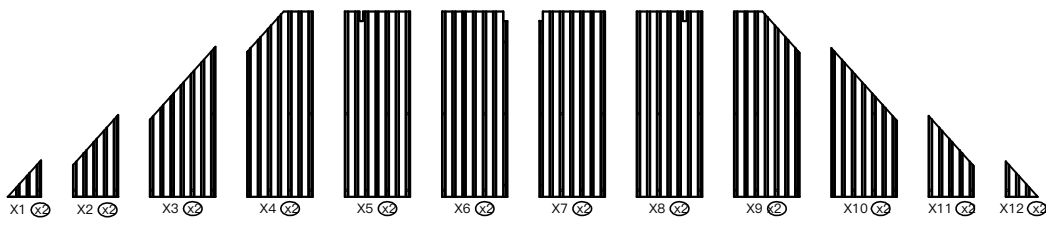


W6



W7



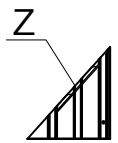


X5

X6

X7

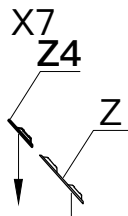
X8



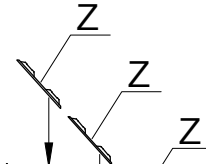
X1



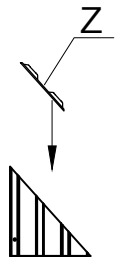
X4



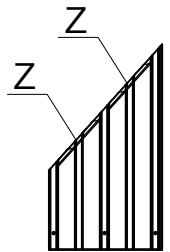
X9



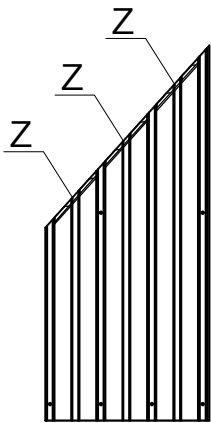
X10



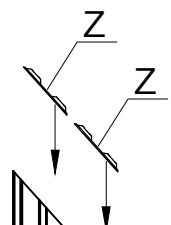
X12



X2



X3

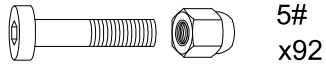


X11

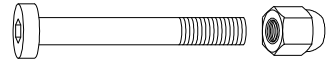
Please install Clips #Z, Z3, Z4 in strict accordance with the instructions.



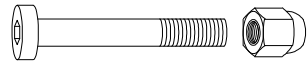
S x148



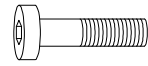
5#
x92



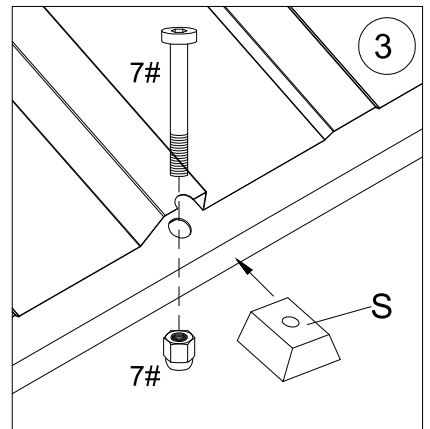
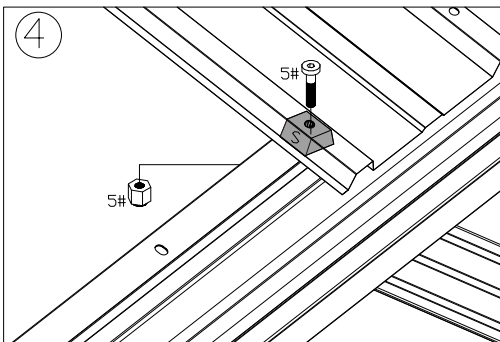
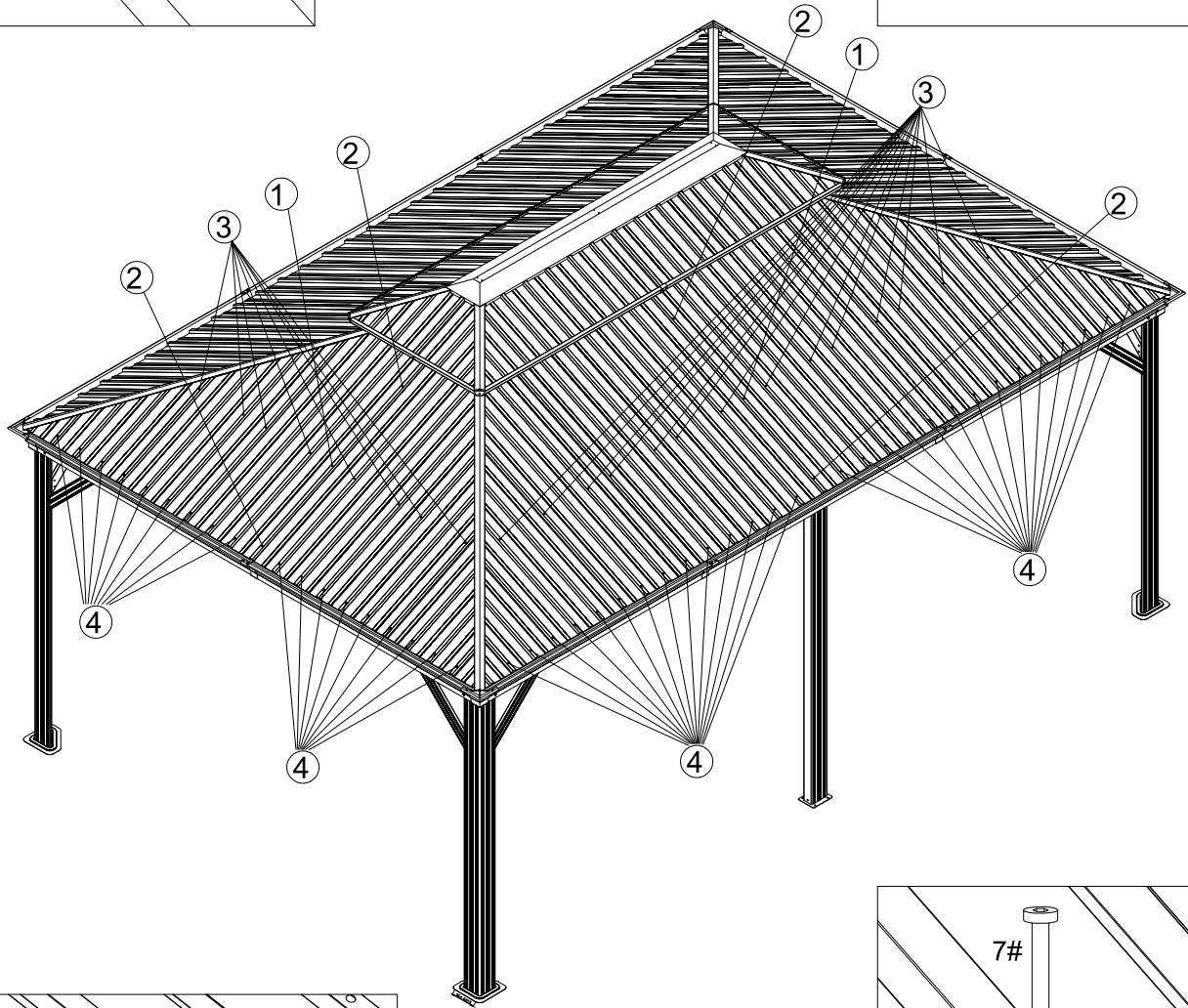
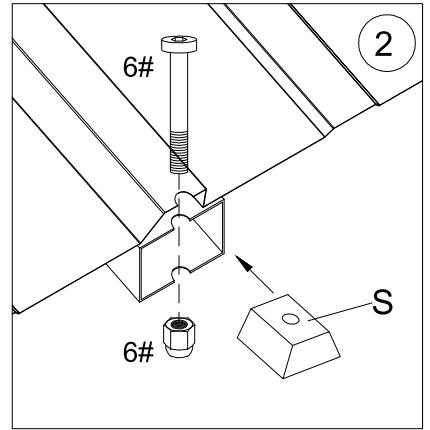
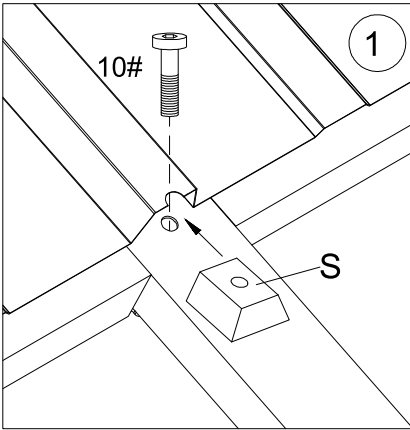
7#
x44



6#
x8

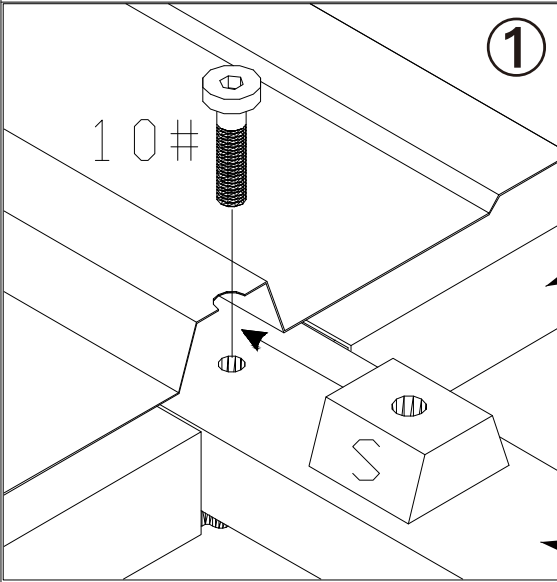


10#
x4



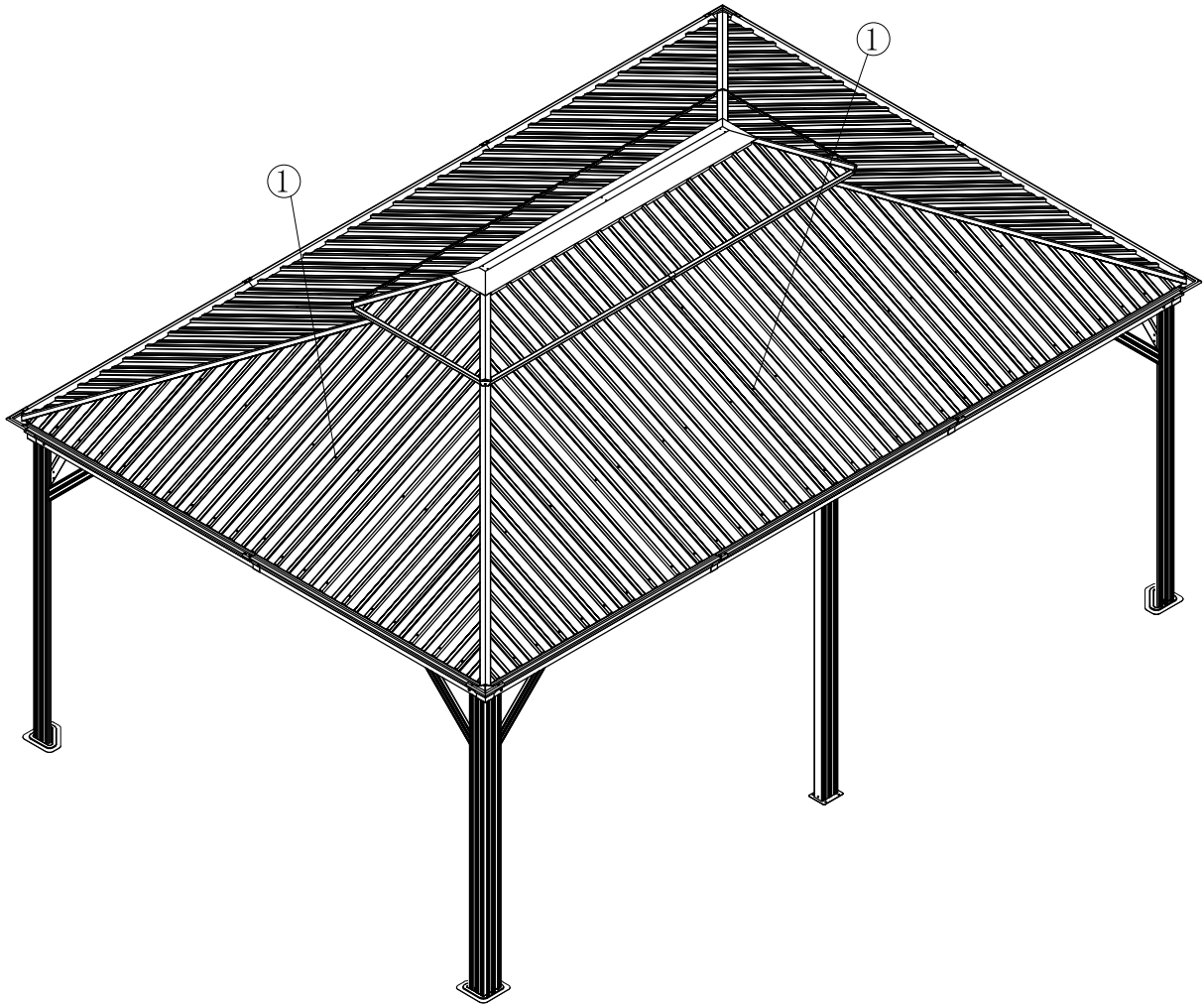
S x4

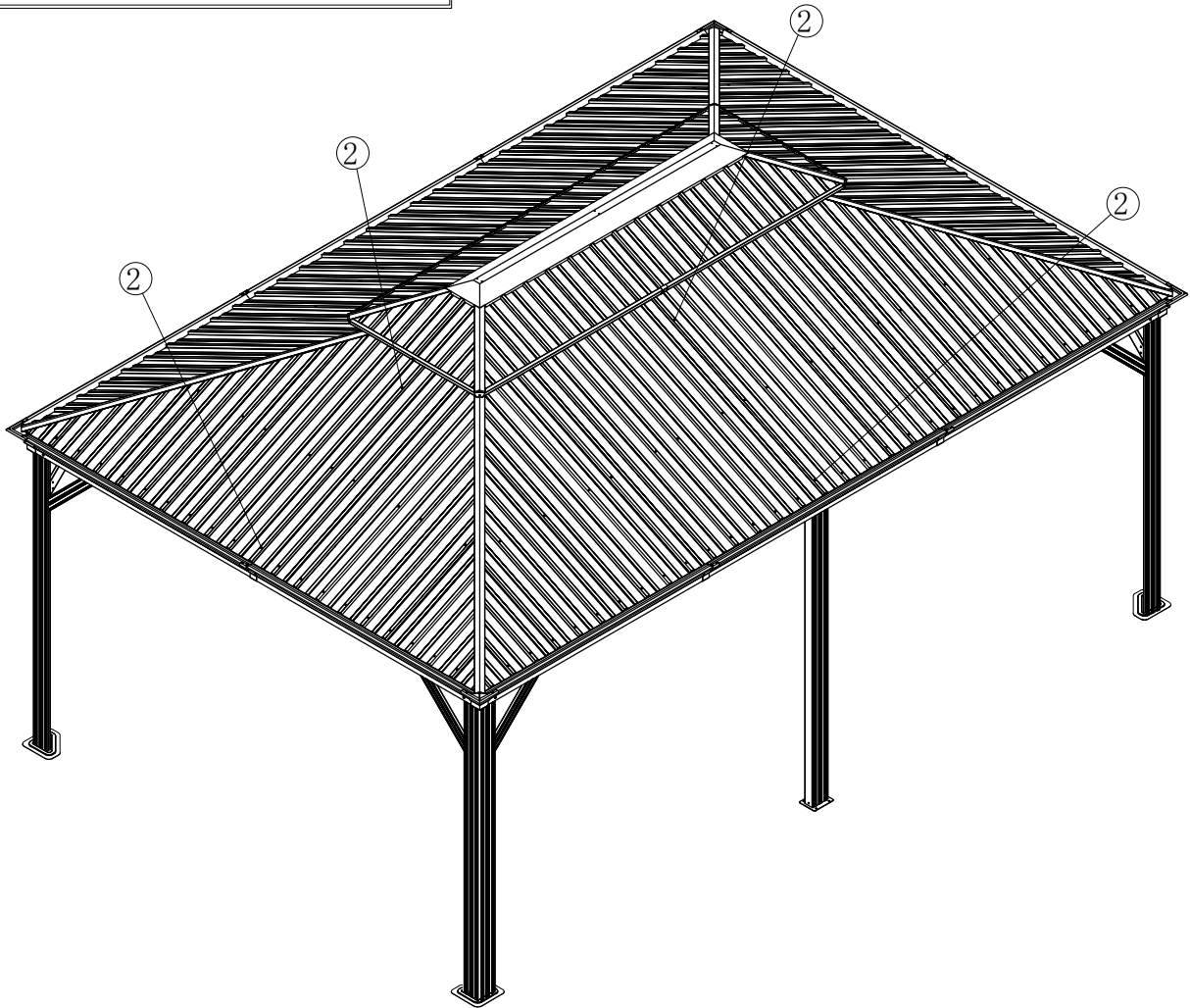
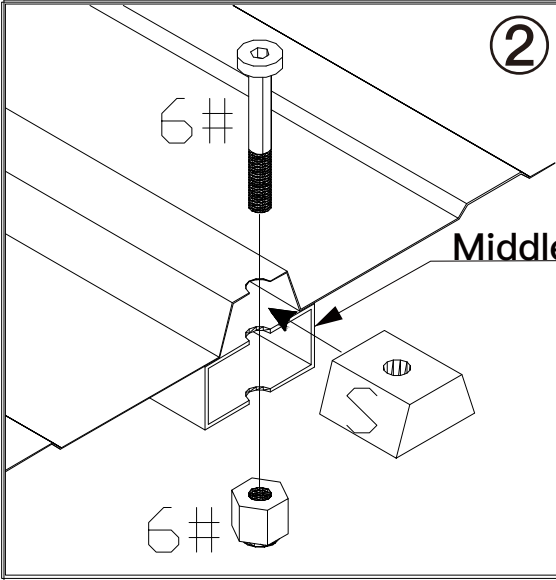
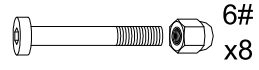
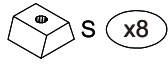
10#
x4



Solidifying Bar

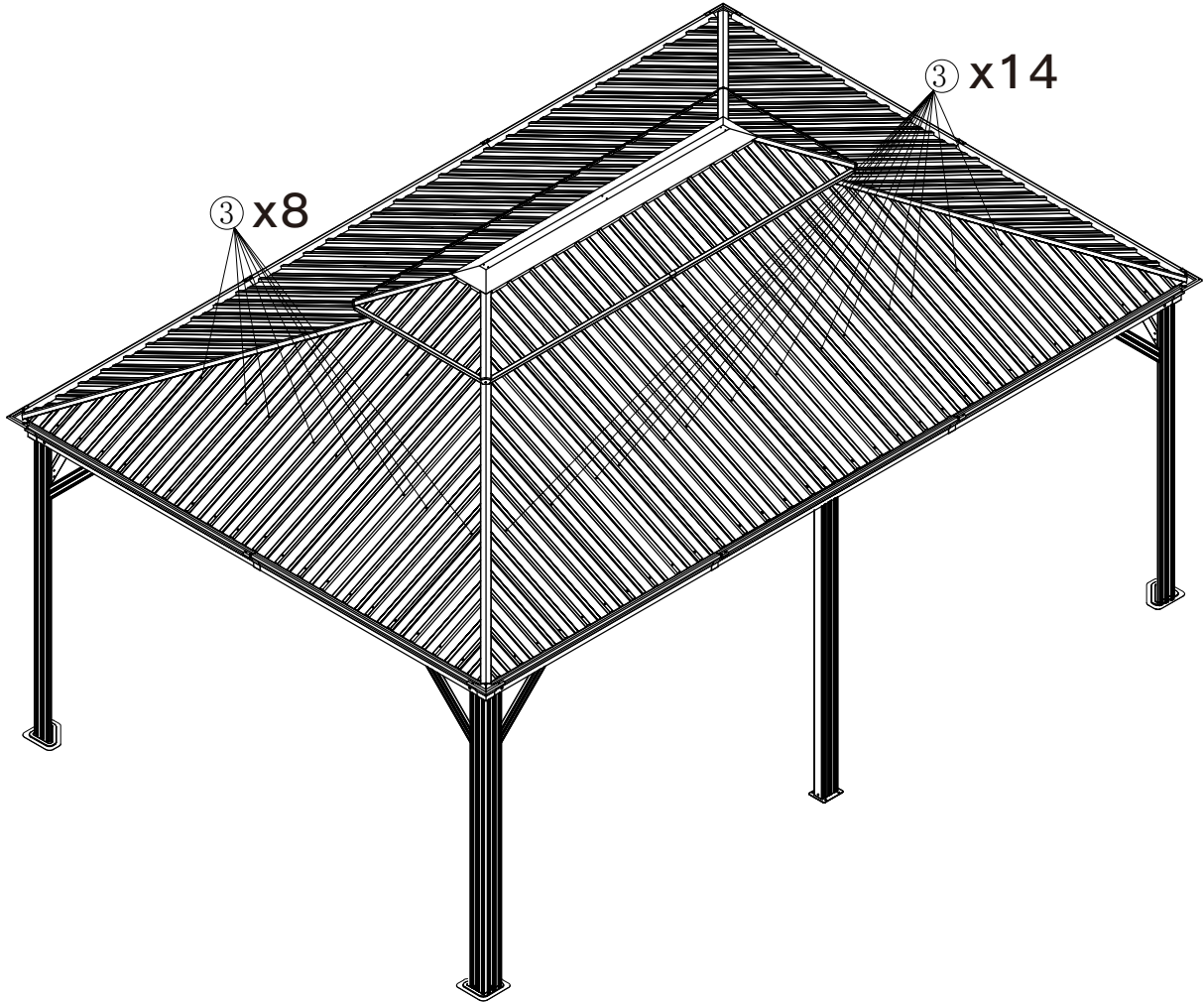
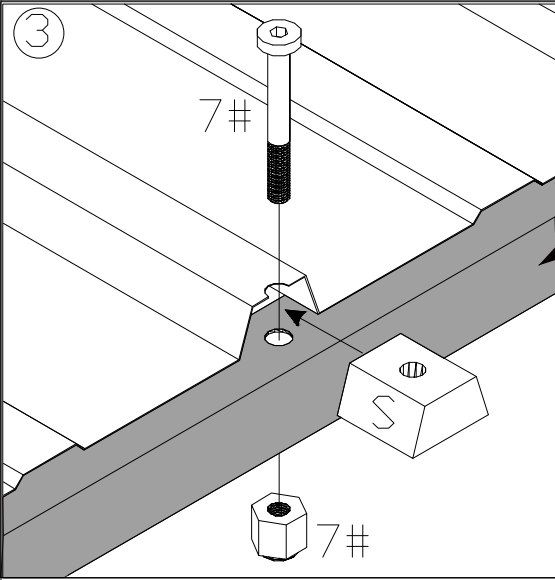
Middle Roof Tube

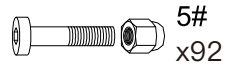
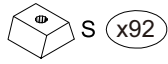




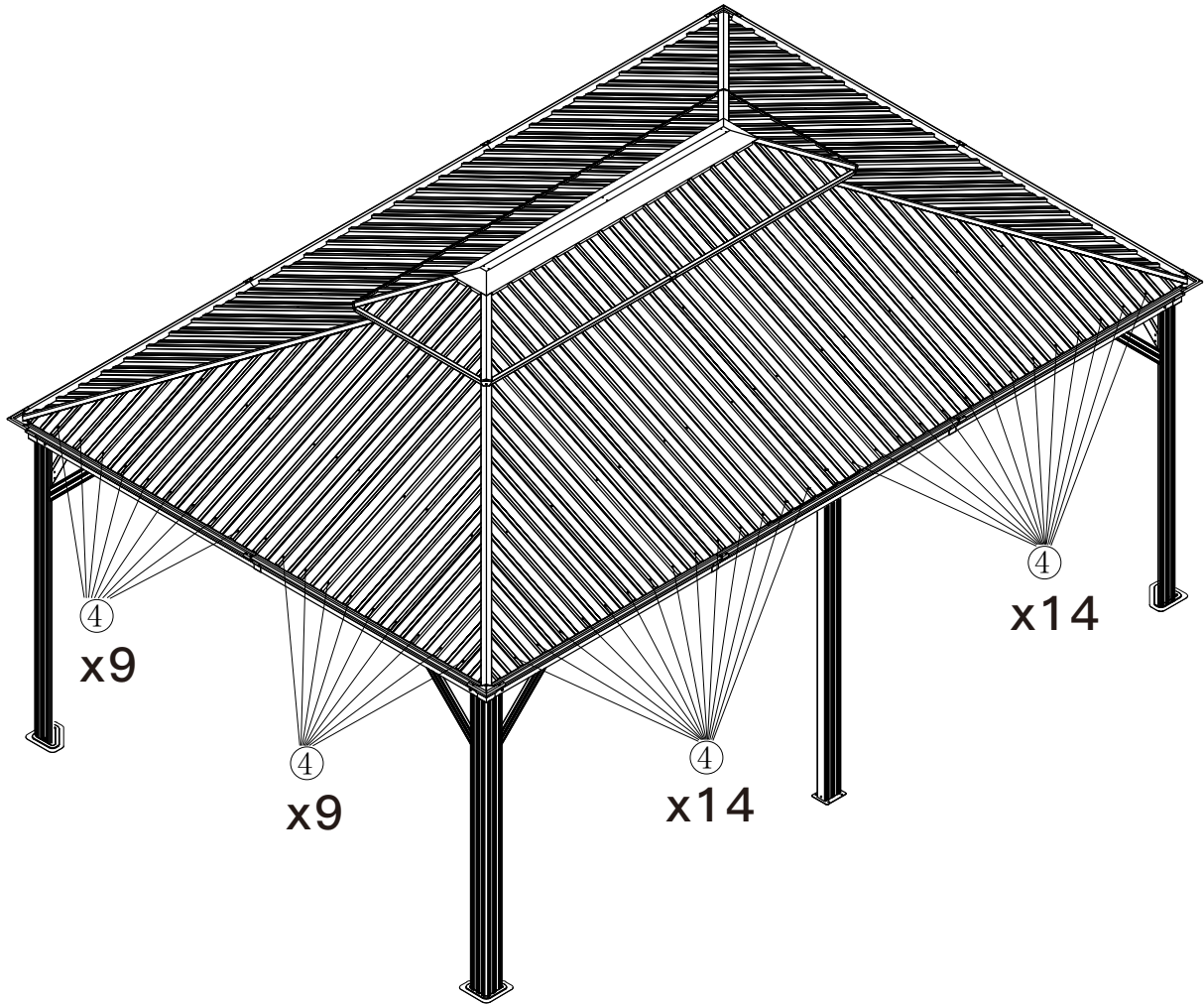
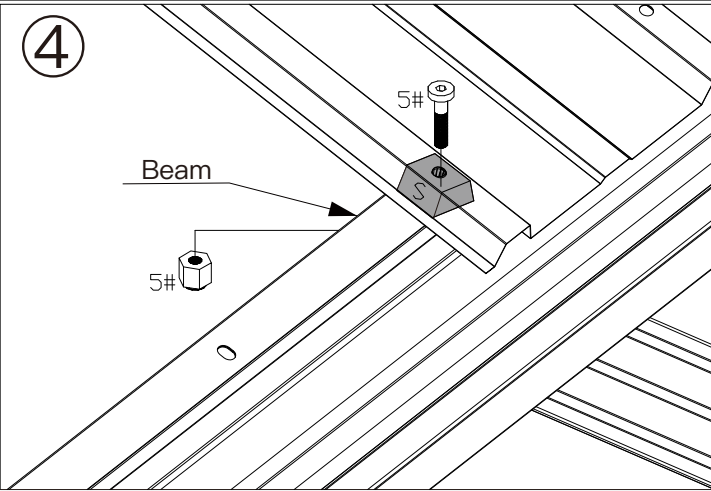
S x44

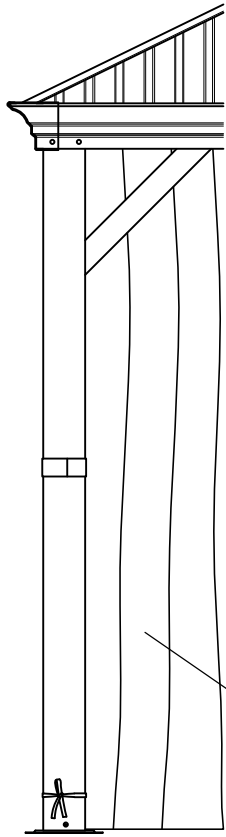
7#
x44



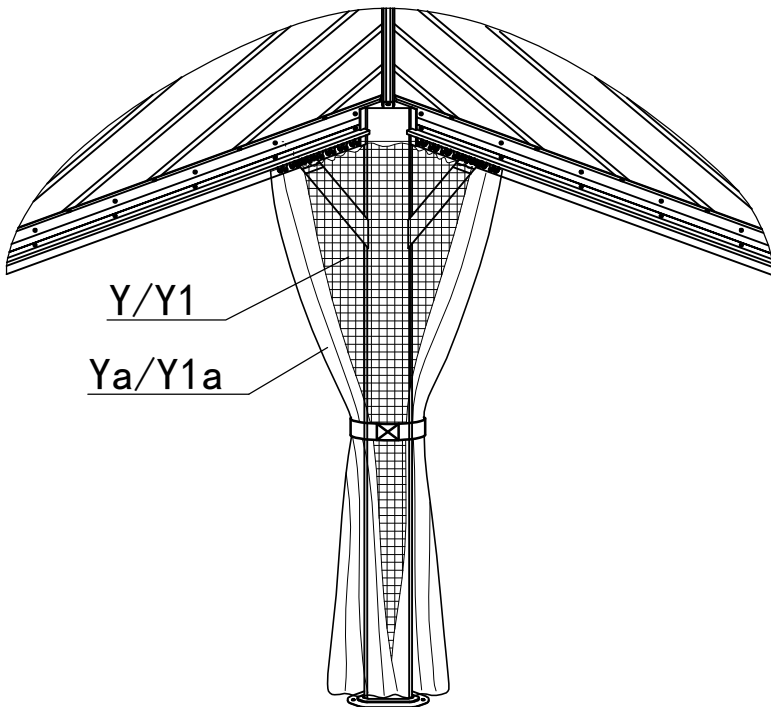
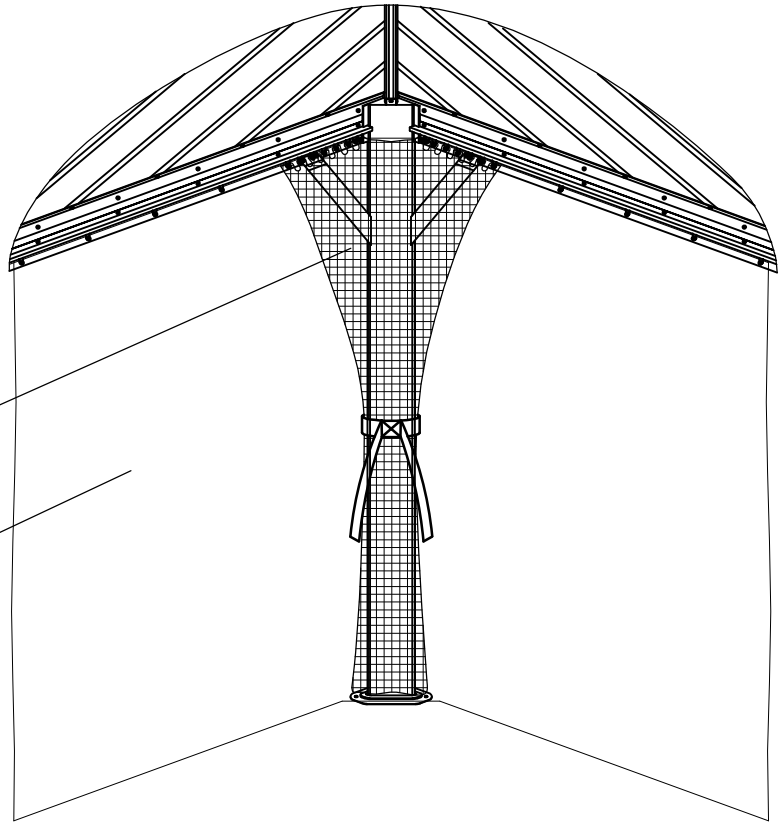


4

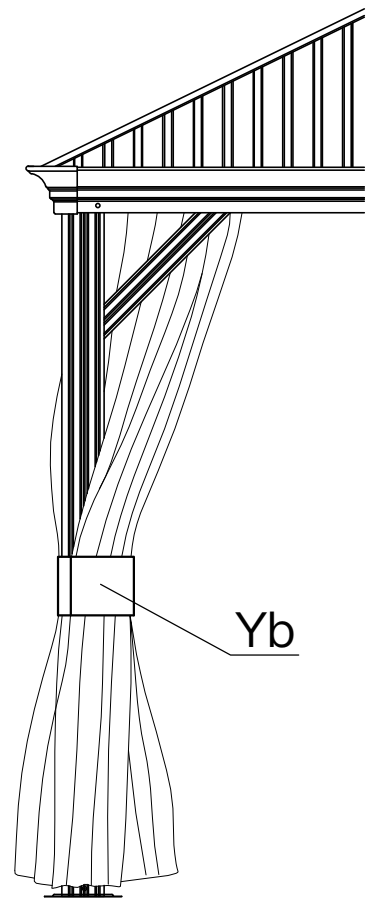




Y1/Y
Ya/Y1a
Ya/Y1a



Y/Y1
Ya/Y1a



Yb

Please open your gazebo curtain when it is incoming over 30 mph wind, and tie with Strap #Yb.



Thanks for your purchase.

At domi outdoor living, we believe in our products.

That's why we provide a 12-month warranty and friendly, easy-to-reach after-sales service. So, if you have any questions about our product or assembly, please feel free to contact us. We are here for you.

Support:  

After-sales contact email:

service@domioutdoorliving.com

Business cooperation contact email:

marketing@domioutdoorliving.com

Please have your order ID available if you reach out for support.

If you have damaged parts or product, please send us photos for an immediate response.