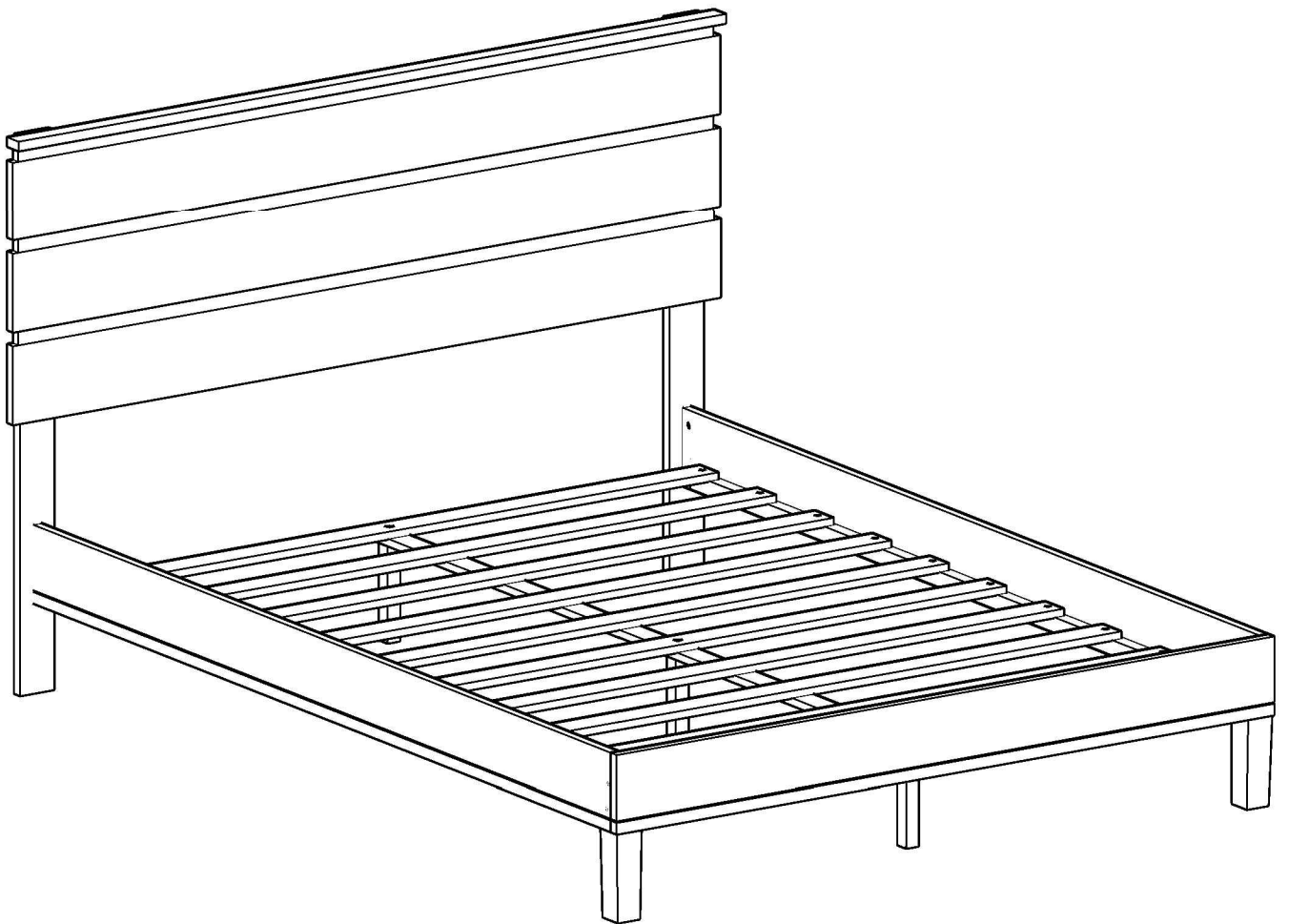
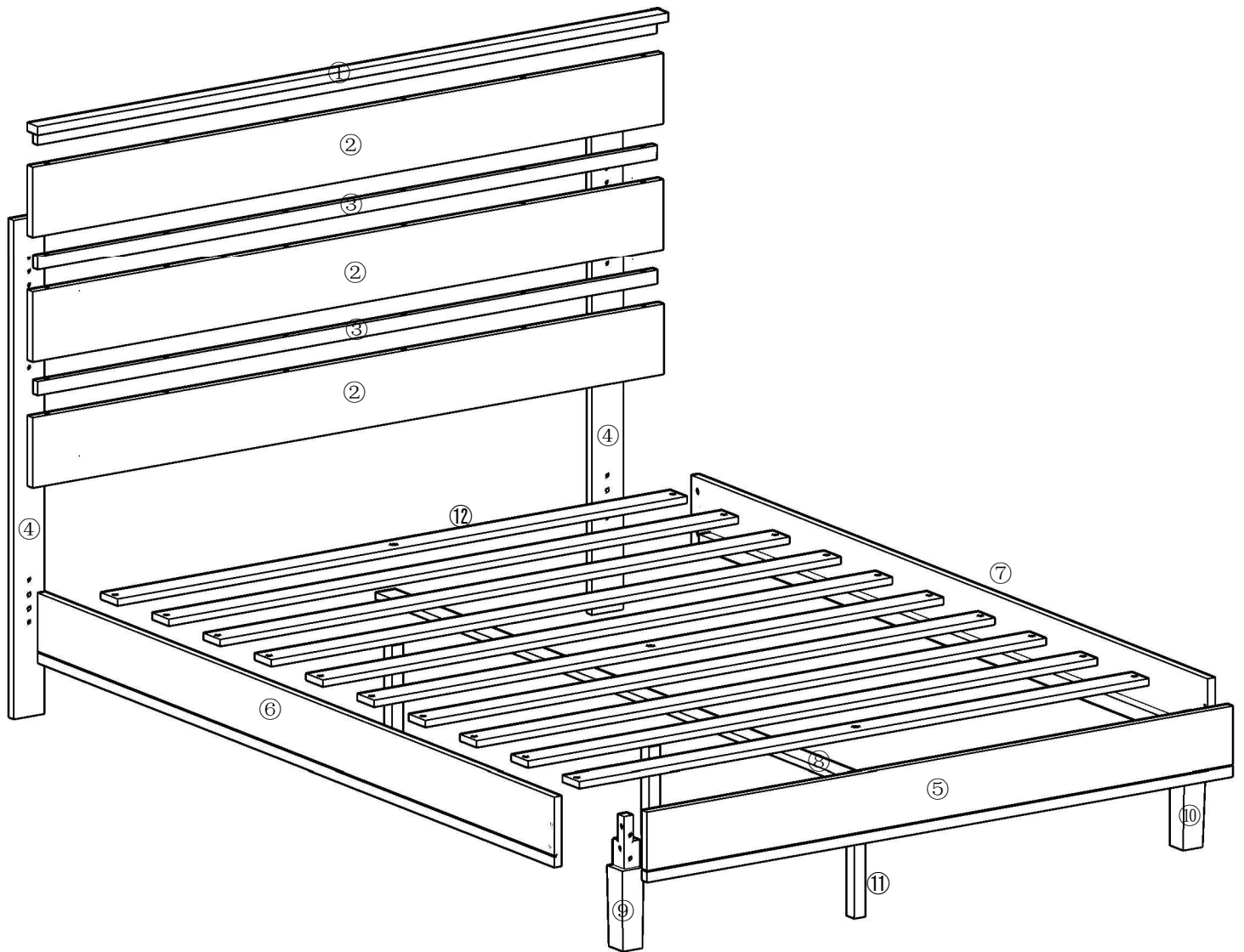


ASSEMBLY INSTRUCTIONS

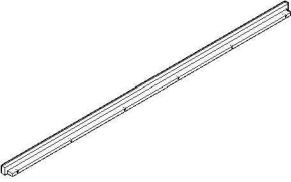
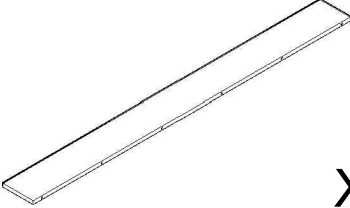
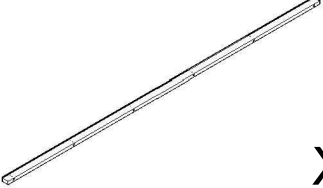
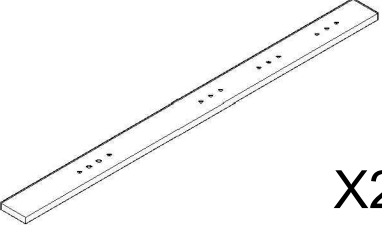
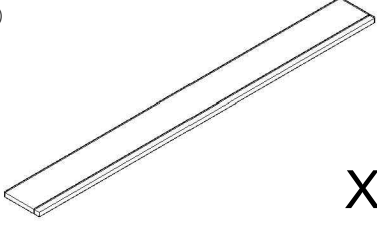
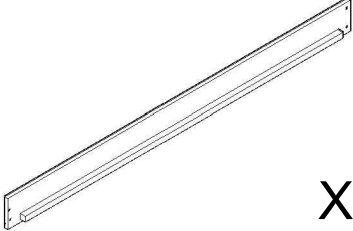
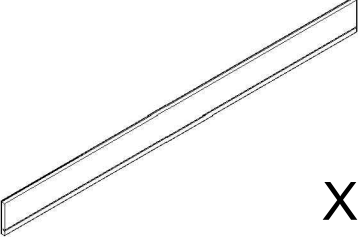
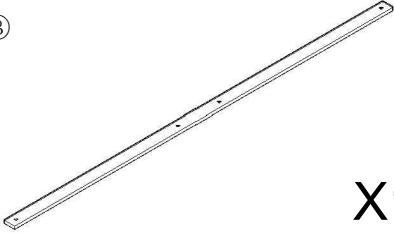
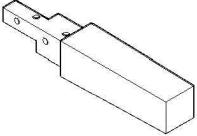
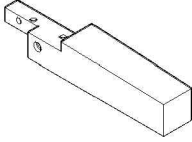

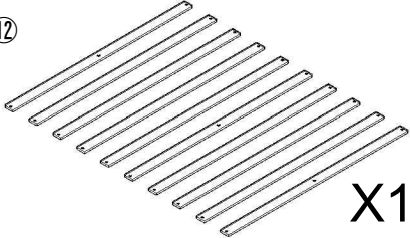


ASSEMBLY INSTRUCTIONS



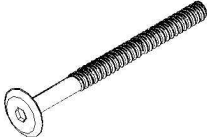









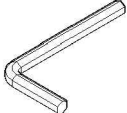
ASSEMBLY INSTRUCTIONS

PART LIST

<p>①</p>  <p>X1</p>	<p>②</p>  <p>X3</p>	<p>③</p>  <p>X2</p>
<p>④</p>  <p>X2</p>	<p>⑤</p>  <p>X1</p>	<p>⑥</p>  <p>X1</p>
<p>⑦</p>  <p>X1</p>	<p>⑧</p>  <p>X1</p>	<p>⑨</p>  <p>X1</p>
<p>⑩</p>  <p>X1</p>	<p>⑪</p>  <p>X3</p>	<p>⑫</p>  <p>X10</p>

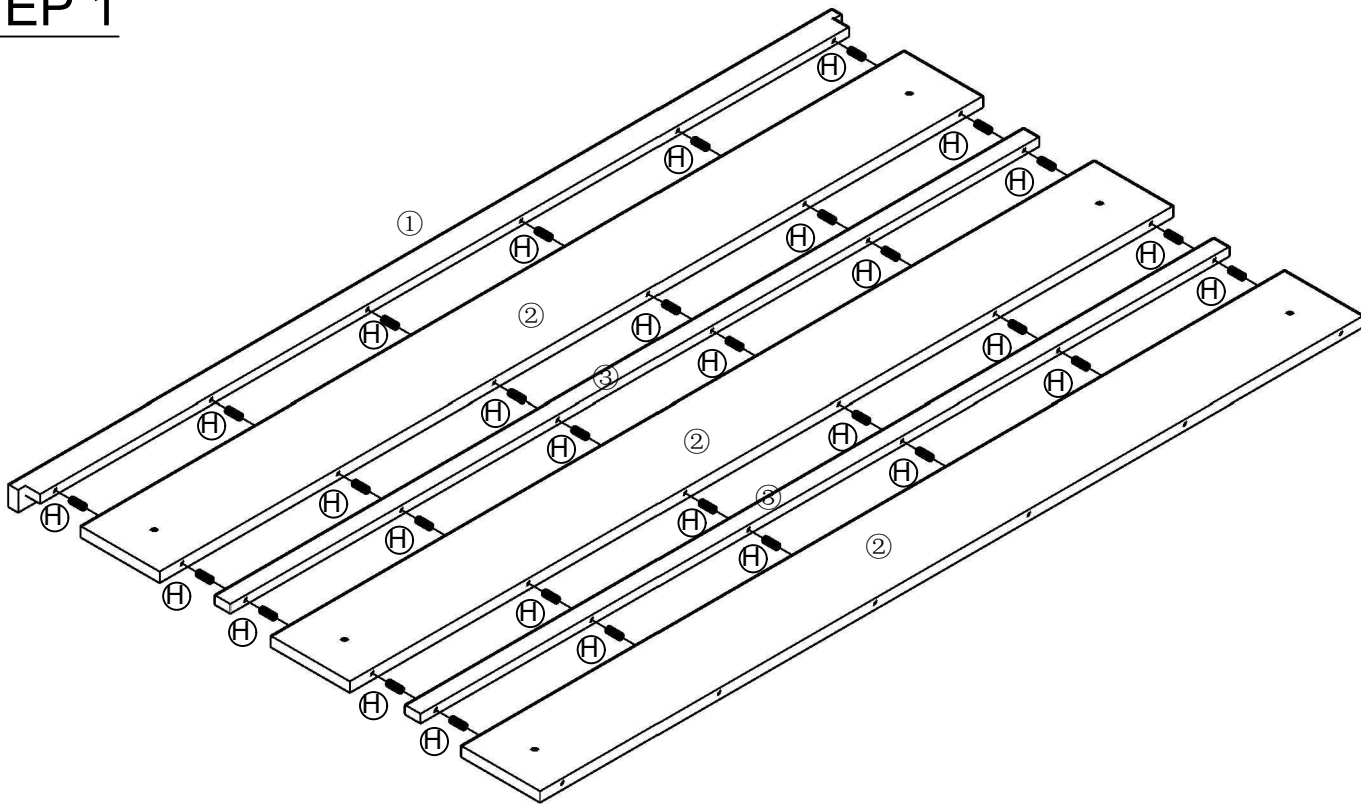
ASSEMBLY INSTRUCTIONS

HARDWARE LIST

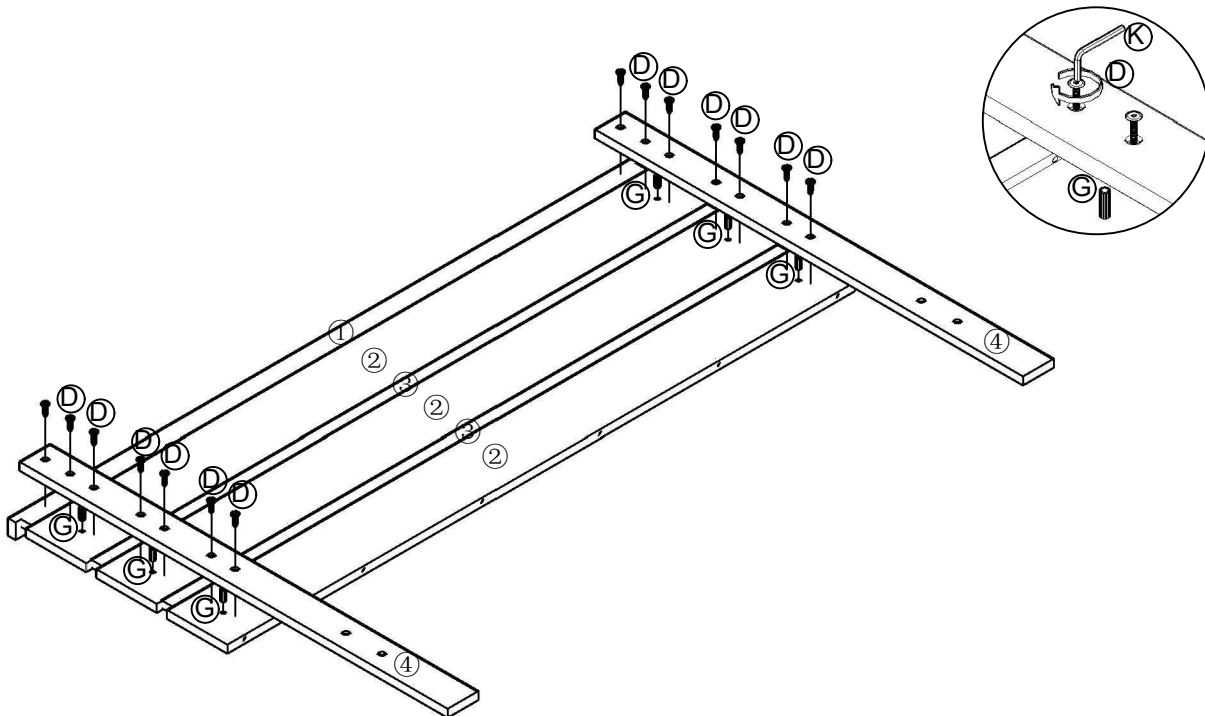
<p>Ⓐ</p>  <p>JCBC SCREW M6X50MM 8PCS</p>	<p>Ⓑ</p>  <p>JCBC SCREW M6X40MM 3PCS</p>	<p>Ⓒ</p>  <p>JCBC SCREW M6X25MM 4PCS</p>
<p>Ⓓ</p>  <p>JCBCW SCREW M6X25MM 14PCS</p>	<p>Ⓔ</p>  <p>STEEL NUT M6X10MM 4PCS</p>	<p>Ⓕ</p>  <p>WOOD DOWEL 10X35MM 4PCS</p>
<p>Ⓖ</p>  <p>WOOD DOWEL 8X20MM 6PCS</p>	<p>Ⓖ</p>  <p>WOOD DOWEL 6X20MM 30PCS</p>	<p>Ⓖ</p>  <p>ADJUSTABLE 3PCS</p>
<p>Ⓙ</p>  <p>CSK SCREW M4.25MM 20PCS</p>	<p>Ⓚ</p>  <p>ALLEN KEY 1PC</p>	

ASSEMBLY INSTRUCTIONS

STEP 1

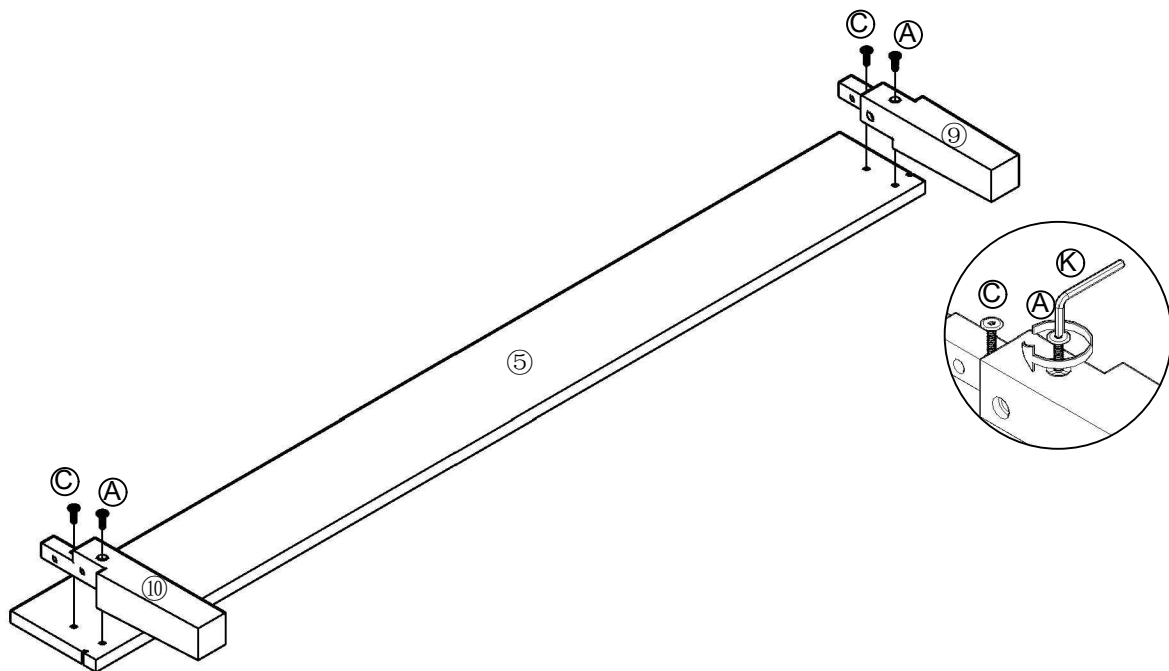


STEP 2

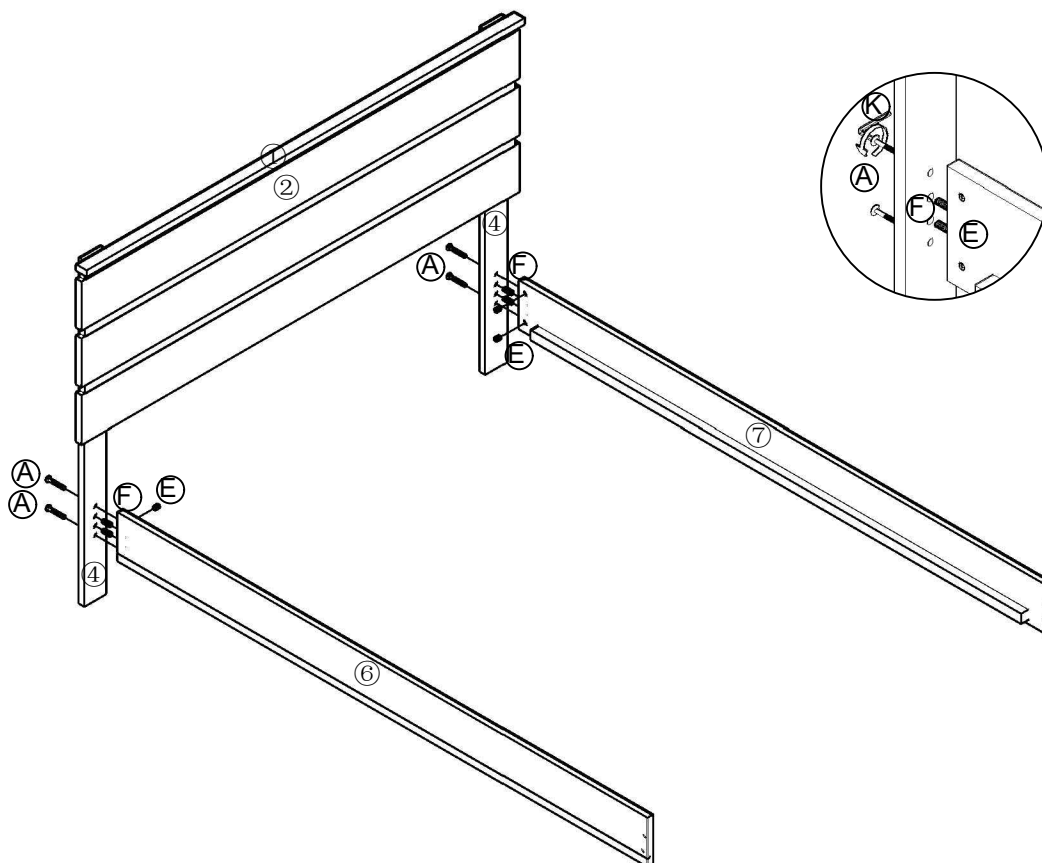


ASSEMBLY INSTRUCTIONS

STEP 3

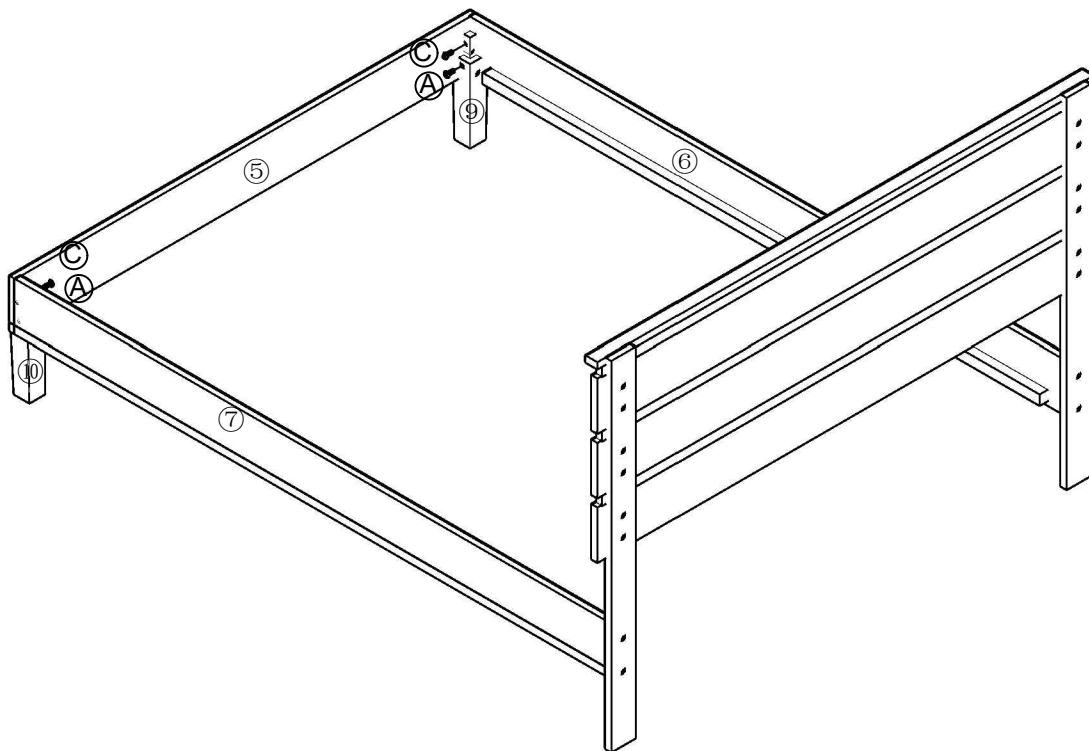


STEP 4



ASSEMBLY INSTRUCTIONS

STEP 5



STEP 6

