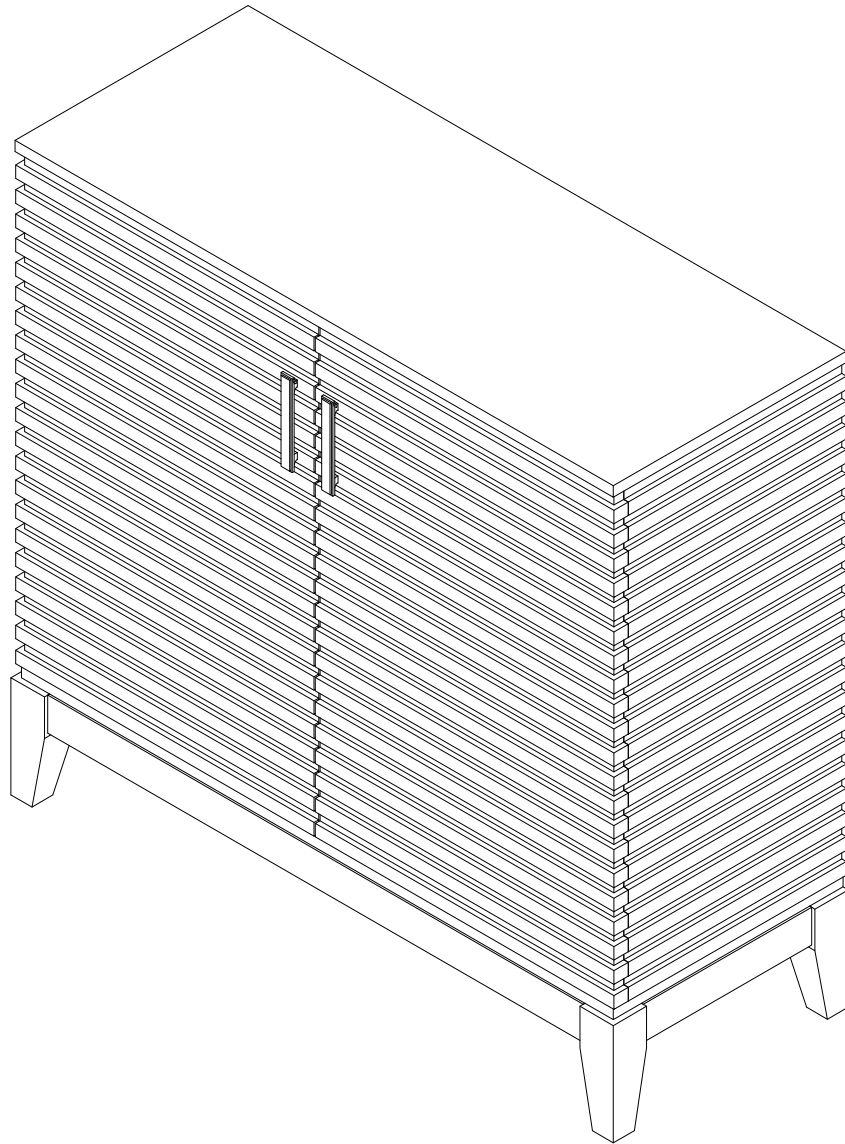


# ASSEMBLY INSTRUCTIONS

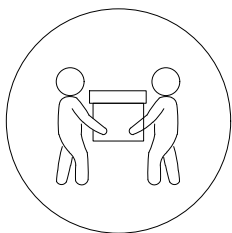
CT202-Gray

CT202-Walnut

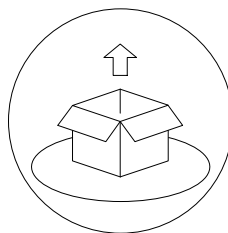


## Notice:

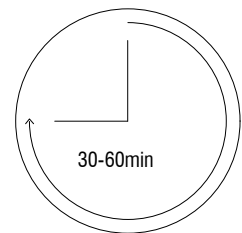
1. Follow the installation instructions. Please confirm all accessories are present before installation.
2. Do not fully tighten the screws during initial assembly. Tighten them completely only after all pieces are correctly aligned.
3. If you encounter any issues during installation, please contact our customer service for assistance.
4. Unbox the item from the side labeled "Open" and lay a protective mat or cloth on the floor to avoid scratches.



Recommended Assembly:  
2 people

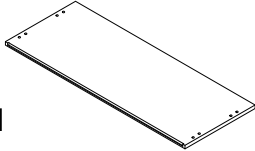
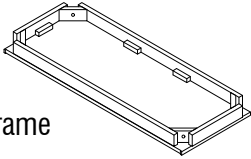
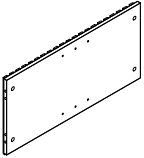
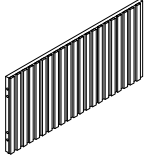
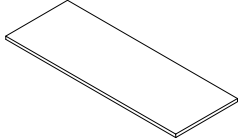


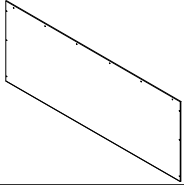
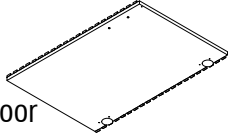
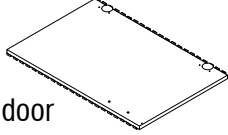
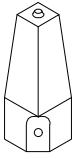
Lay a protective mat  
or cloth



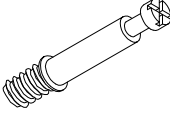
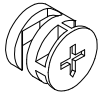
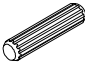
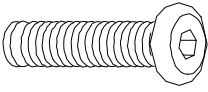
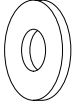


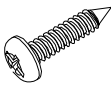
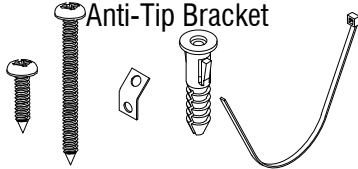
Estimate installation  
time

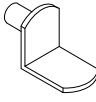
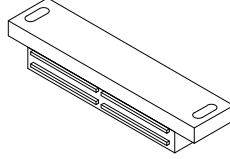

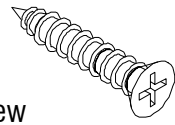
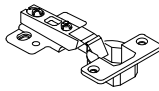
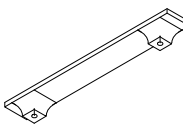
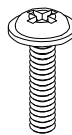
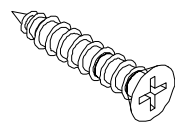
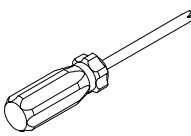
## Accessories List

Item no.	Reference Image	Qty
1	 <p>Top Panel</p>	1
2	 <p>Bottom frame</p>	1
3	 <p>Left side panel</p>	1
4	 <p>Right side panel</p>	1
5	 <p>Shelf</p>	1

Item no.	Reference Image	Qty
6	 <p>Backboard</p>	2
7	 <p>Left cabinet door</p>	1
8	 <p>Right cabinet door</p>	1
9	 <p>Leg</p>	4

## Hardware List

Item no.	Reference Image	Qty
A	M6*36 	8
B	Ø15*9 	8
C	Ø8*30 	8
D	5/16"*45 	4
	Ø8*14 	4
	Ø8 	4
E	5 	1
F	M3*16 Umbrella head screw 	26+2
G	Anti-Tip Bracket 	2

Item no.	Reference Image	Qty
H	Ø6*10 	4
I	71*16*12 	1
	35*12*1 	2
J	M4*16 Flat head screw 	24+2
K	40 	4
L	124*17*14 	2
	M4*25 	4
M	M3*14 	2
N		1

# ASSEMBLY INSTRUCTIONS

1

5/16"×45

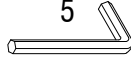


Ø8×14

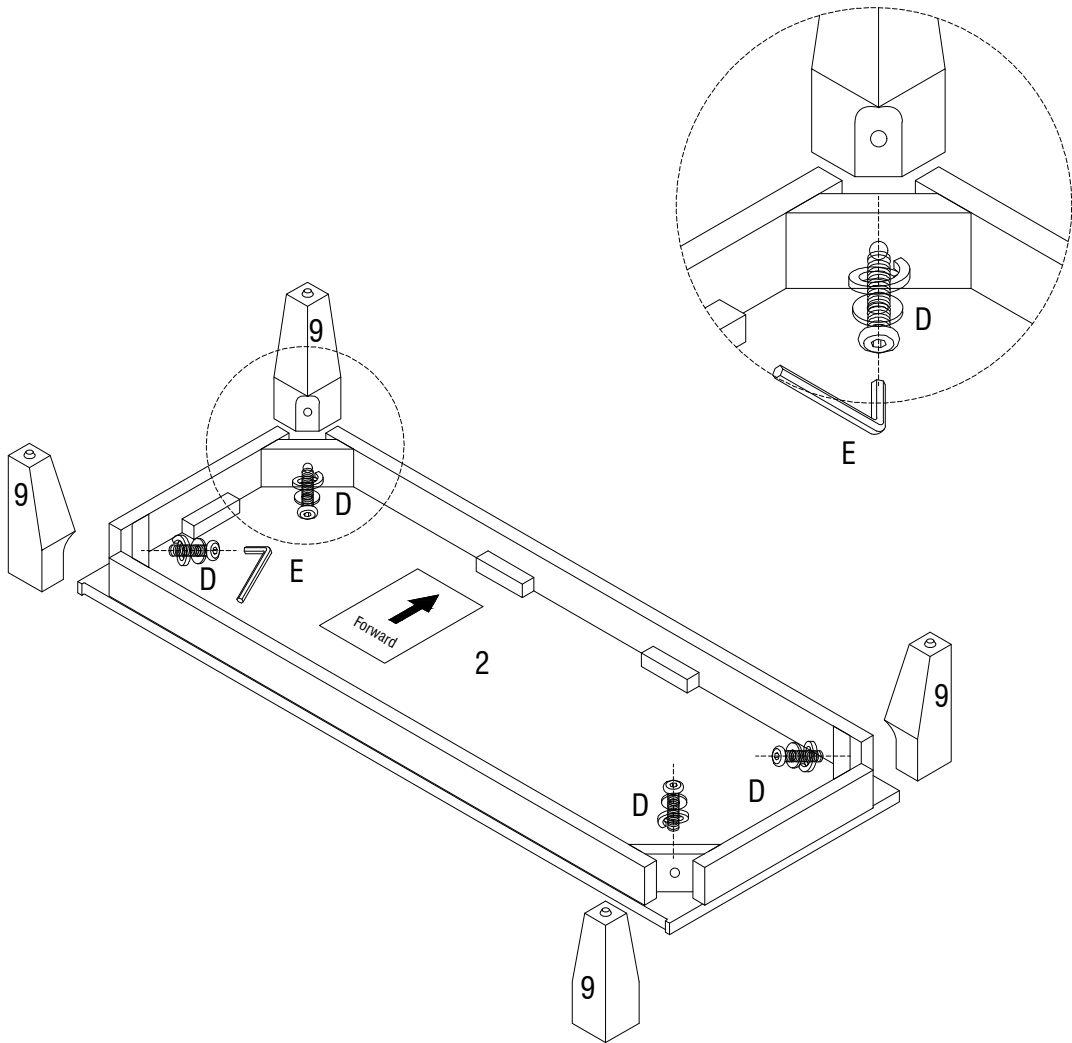


D 4pcs

5



E 1pc

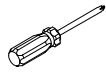


# ASSEMBLY INSTRUCTIONS

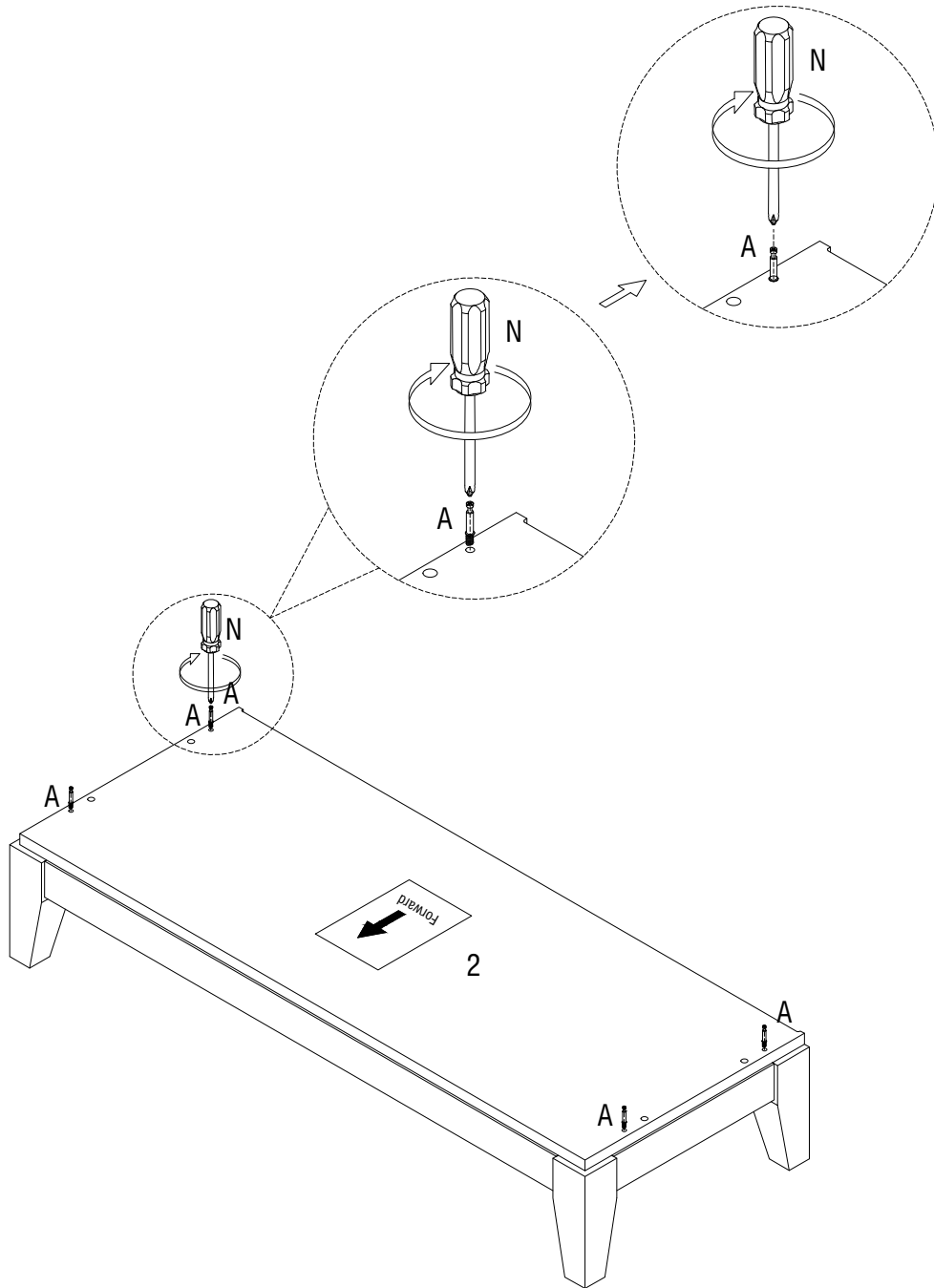
2

M6\*36

A 4pcs



N 1pc

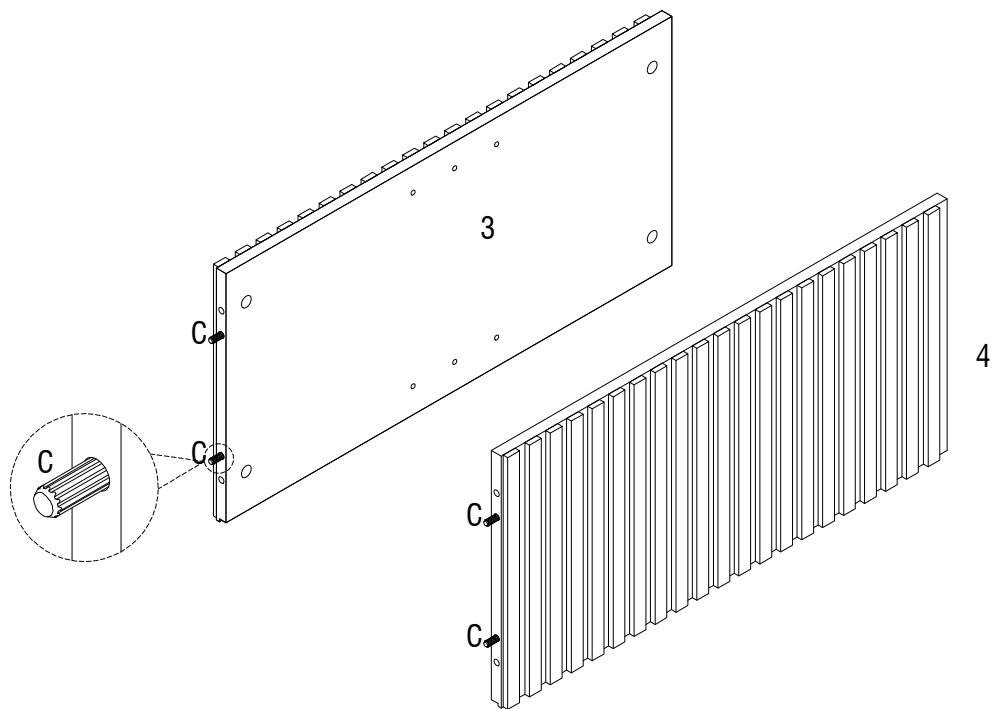
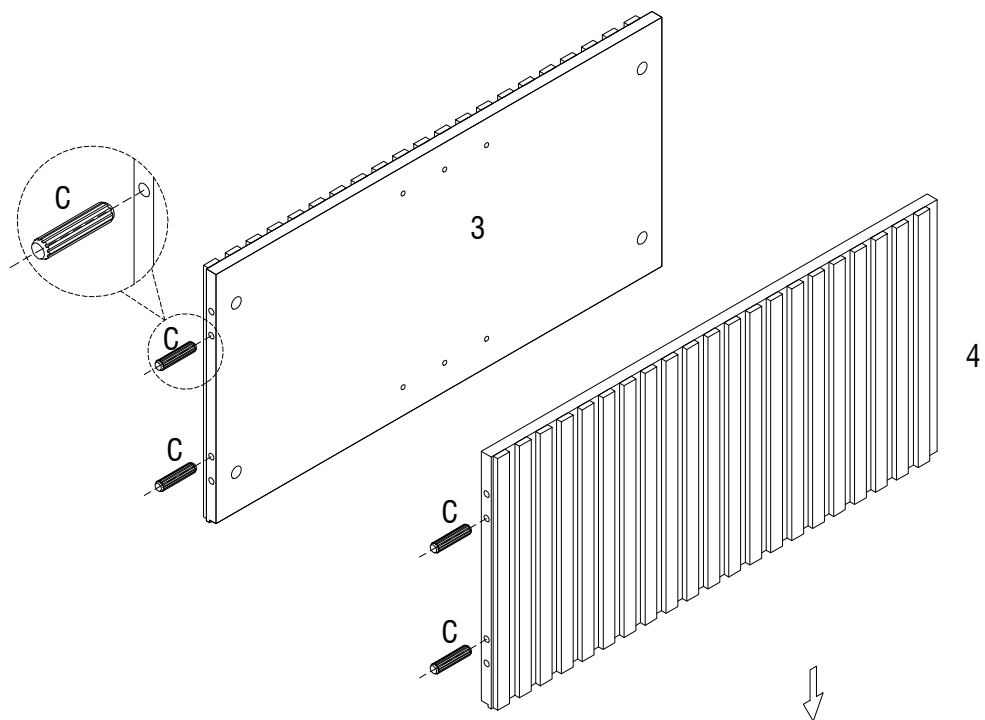


# ASSEMBLY INSTRUCTIONS

3

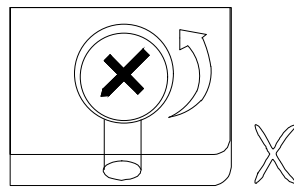
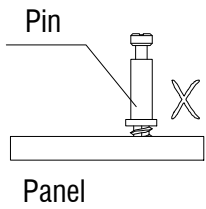
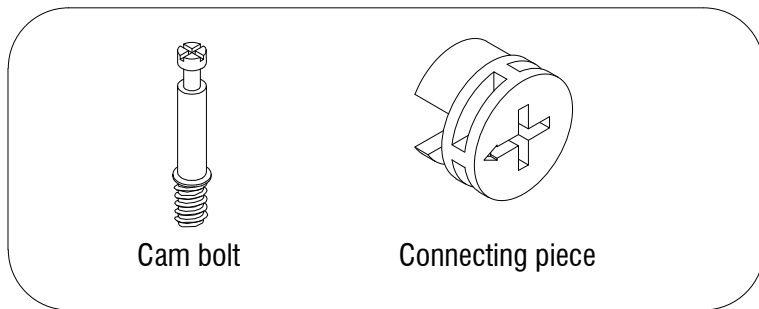
Ø8\*30

C 4pcs

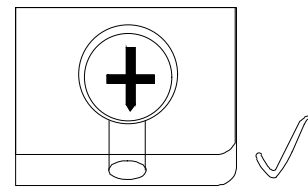


# ASSEMBLY INSTRUCTIONS

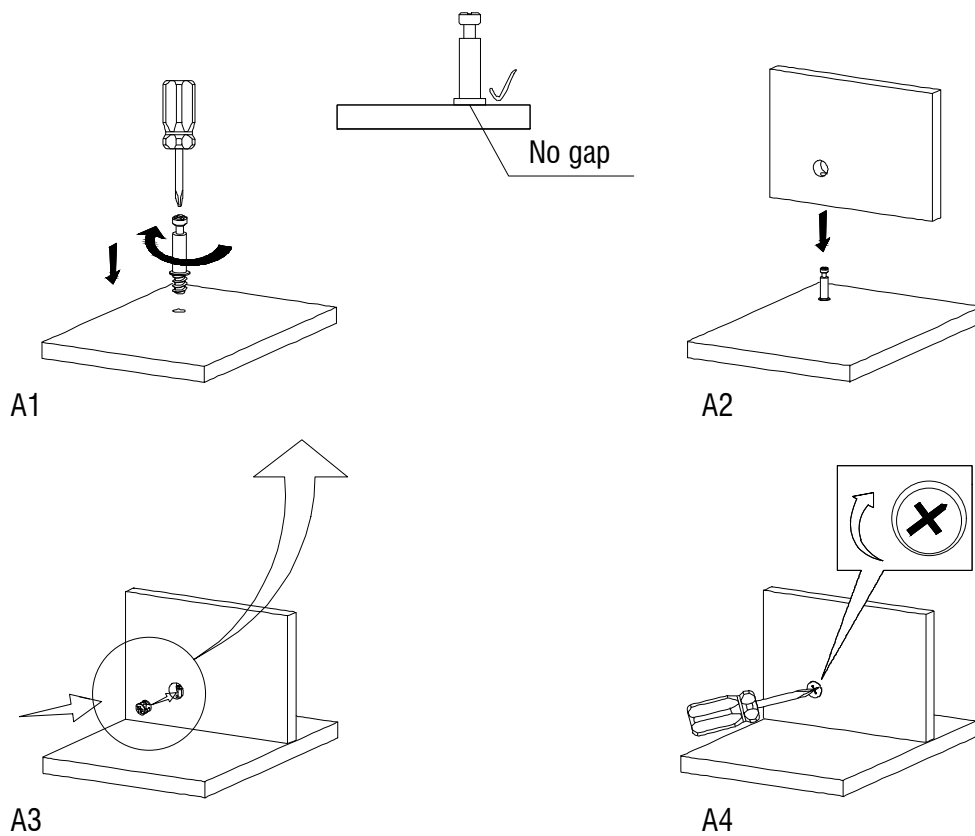
CAM BOLT INSTALLATION AS BELOW:



Rotate connecting piece if found in the position illustrated above.



Correct orientation to receive bolts.

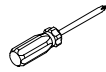


# ASSEMBLY INSTRUCTIONS

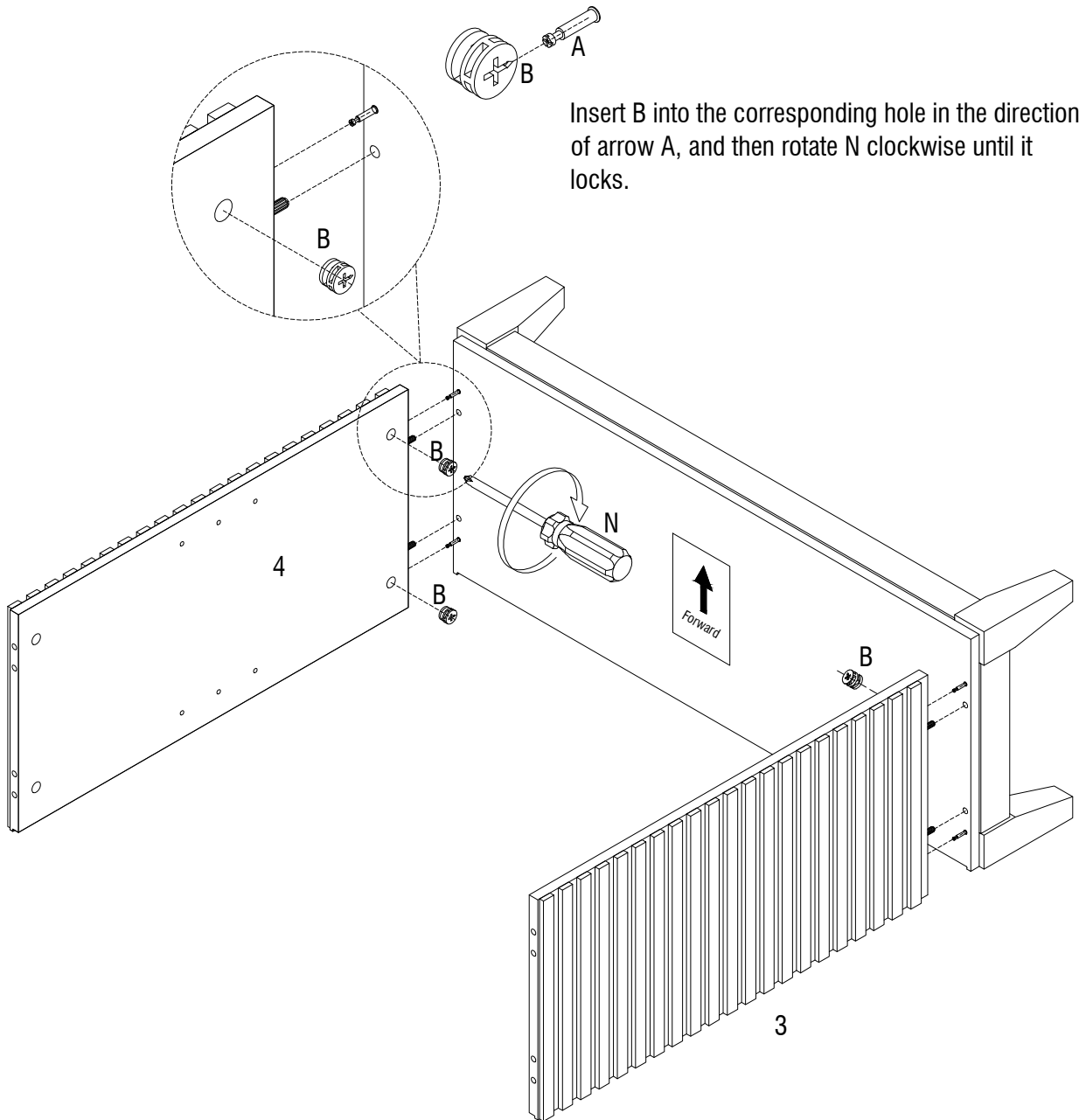
4



B 4pcs



N 1pc



# ASSEMBLY INSTRUCTIONS

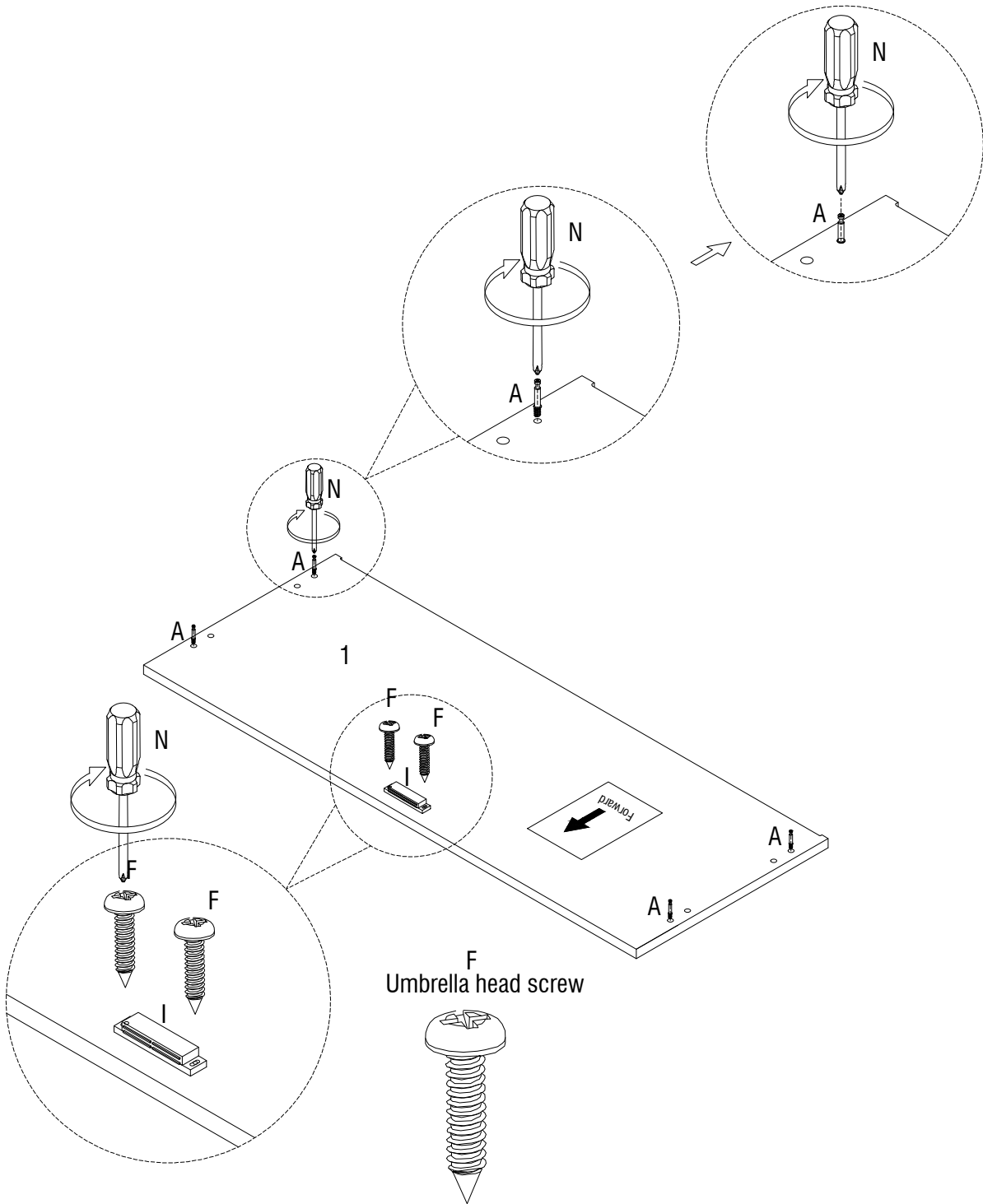
5

M6\*36  
A 4pcs

71\*16\*12  
I

M3\*16  
F 2pcs

N

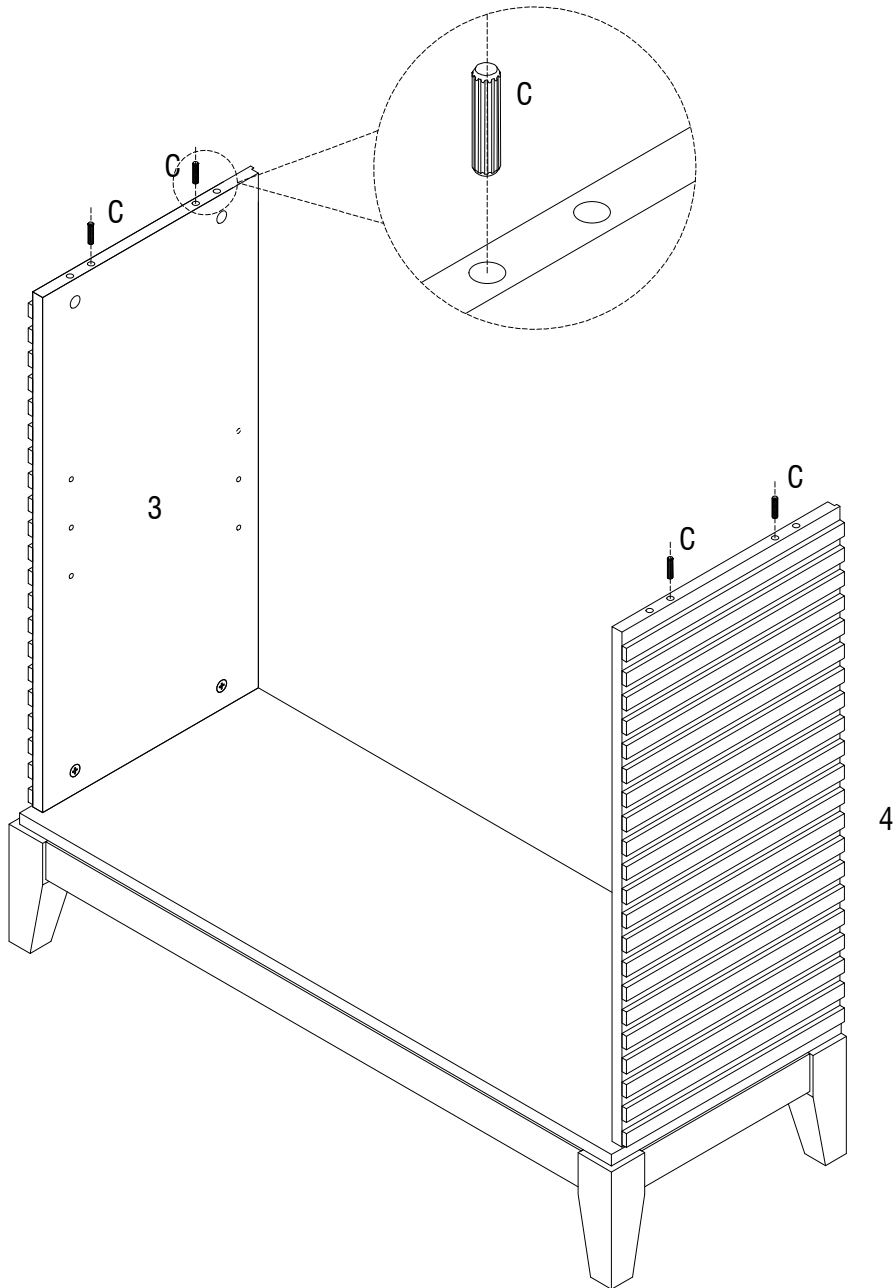


# ASSEMBLY INSTRUCTIONS

6

Ø8\*30

C 4pcs

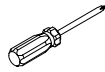


# ASSEMBLY INSTRUCTIONS

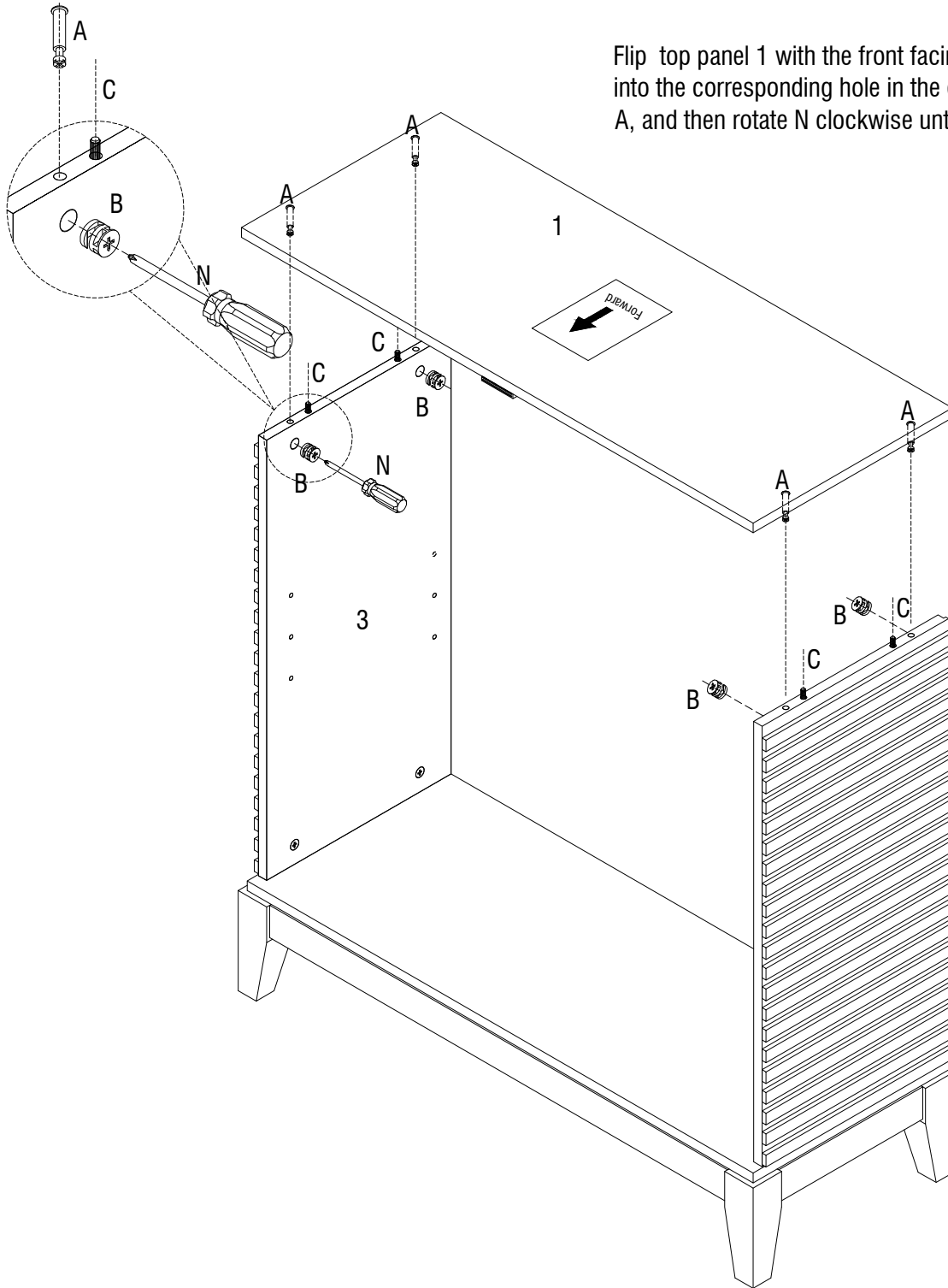
7



B 4pcs



N



Flip top panel 1 with the front facing upwards. Insert B into the corresponding hole in the direction of arrow A, and then rotate N clockwise until it locks.

# ASSEMBLY INSTRUCTIONS

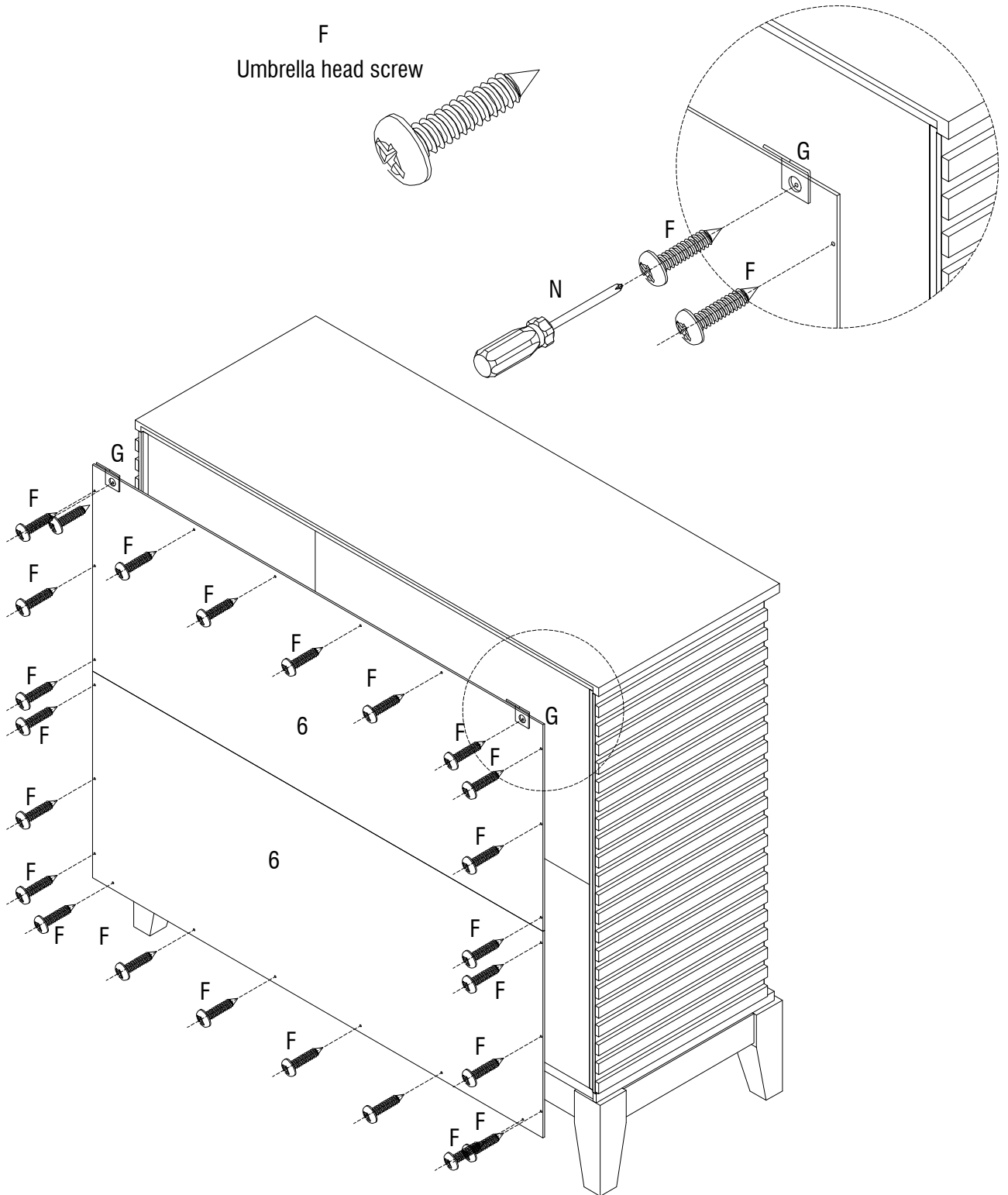
8

M3\*16  
F 24pcs

G 2pcs

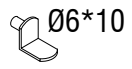
N

F  
Umbrella head screw

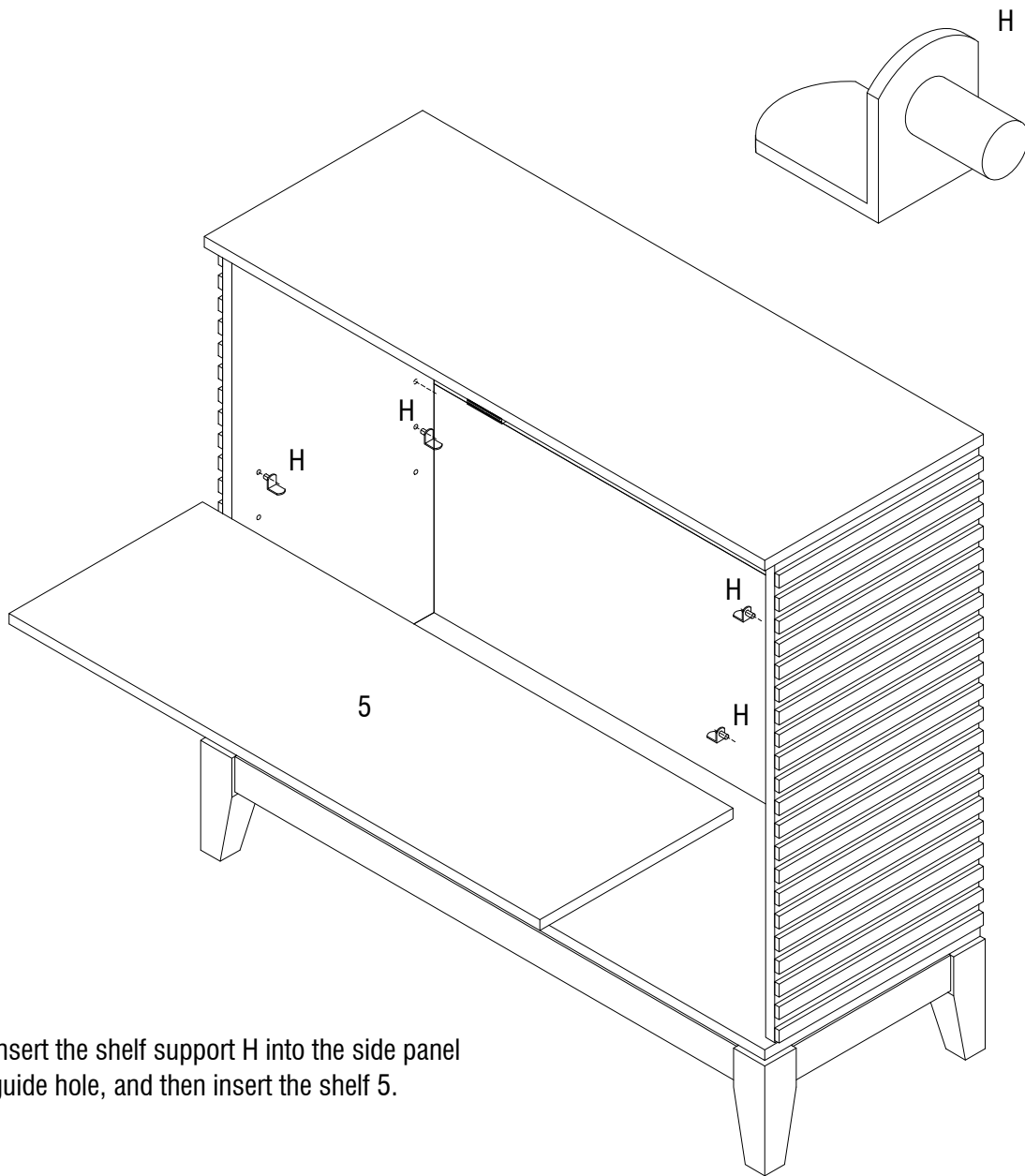


# ASSEMBLY INSTRUCTIONS

9



H 4pcs



Insert the shelf support H into the side panel guide hole, and then insert the shelf 5.

# ASSEMBLY INSTRUCTIONS

10

35\*12\*1



I 2pcs

M4\*16



J 8pcs

40



K 4pcs

124\*17\*14



L 2pcs

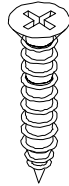
M4\*25



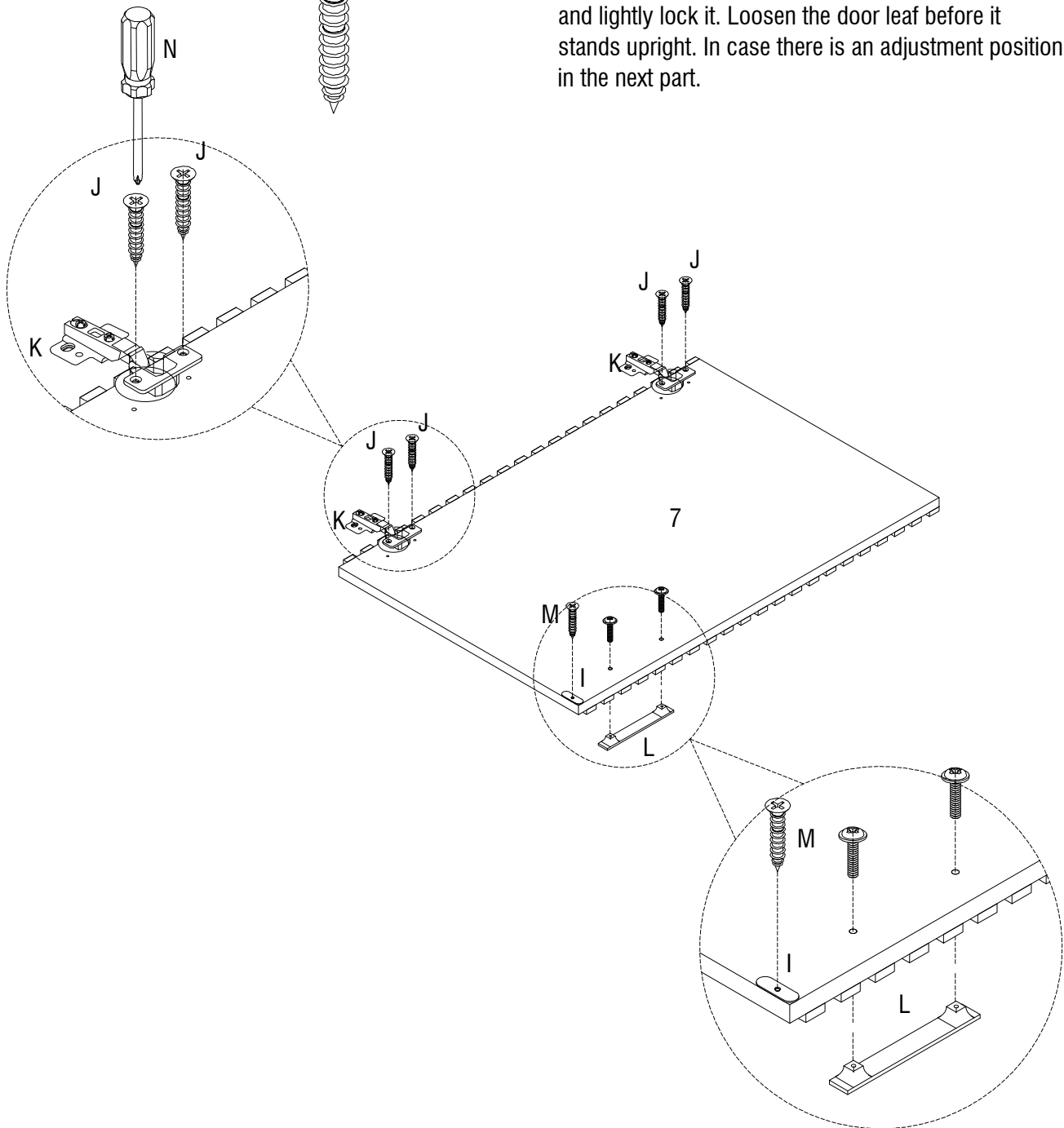
M 2pcs

M3\*14

J  
Flat head screw



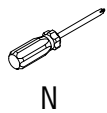
Align J with the door leaf guide hole through sheet K and lightly lock it. Loosen the door leaf before it stands upright. In case there is an adjustment position in the next part.



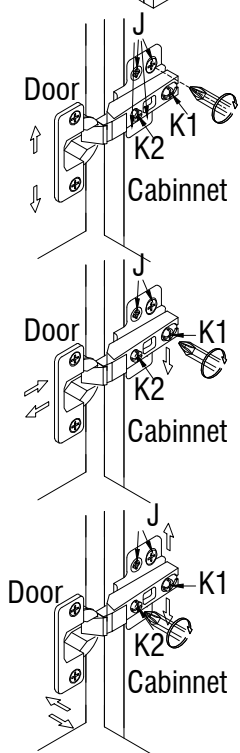
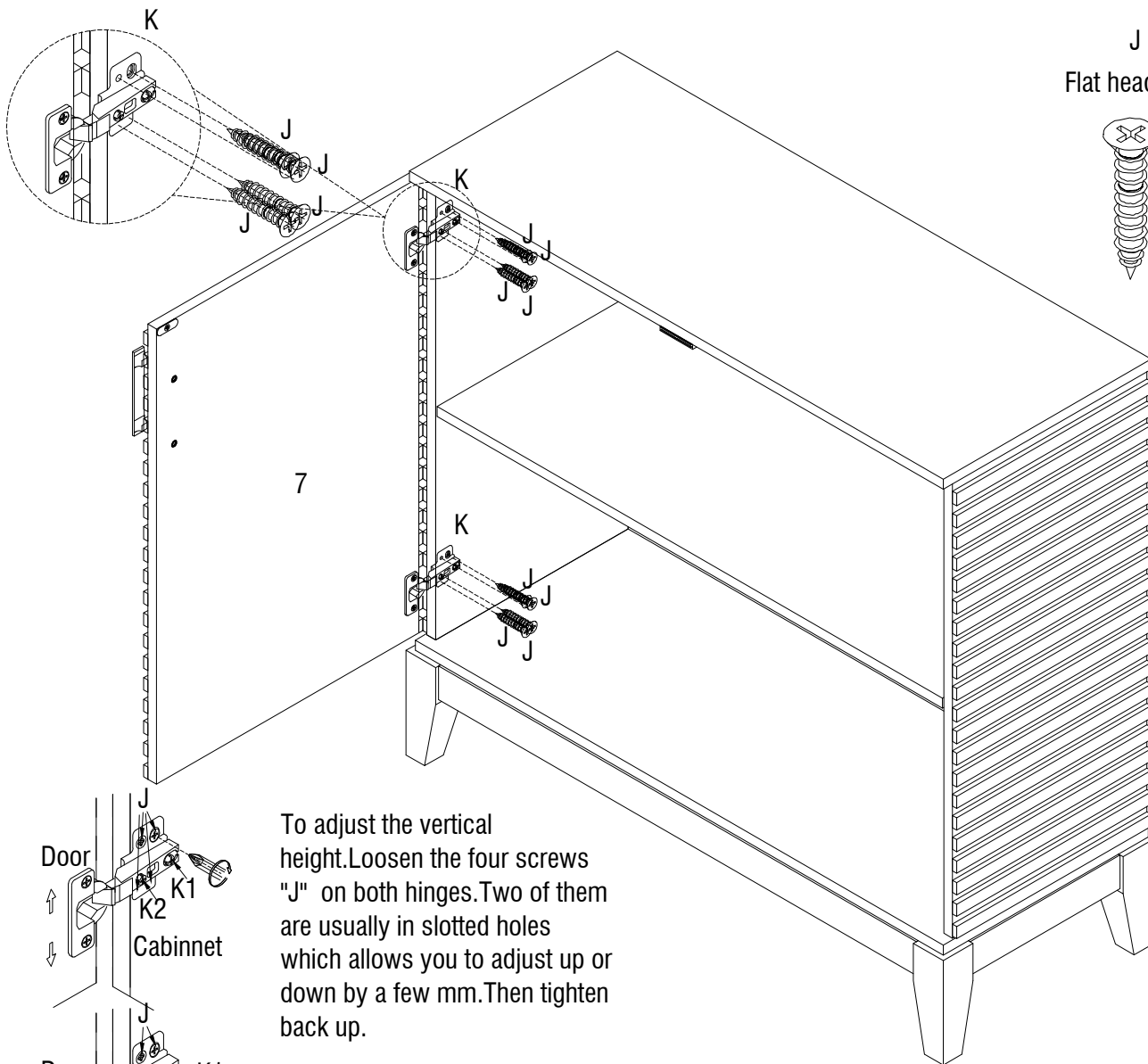
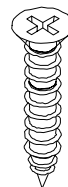
# ASSEMBLY INSTRUCTIONS

11

M4\*16  
J 8pcs



J  
Flat head screw



To adjust the vertical height. Loosen the four screws "J" on both hinges. Two of them are usually in slotted holes which allows you to adjust up or down by a few mm. Then tighten back up.

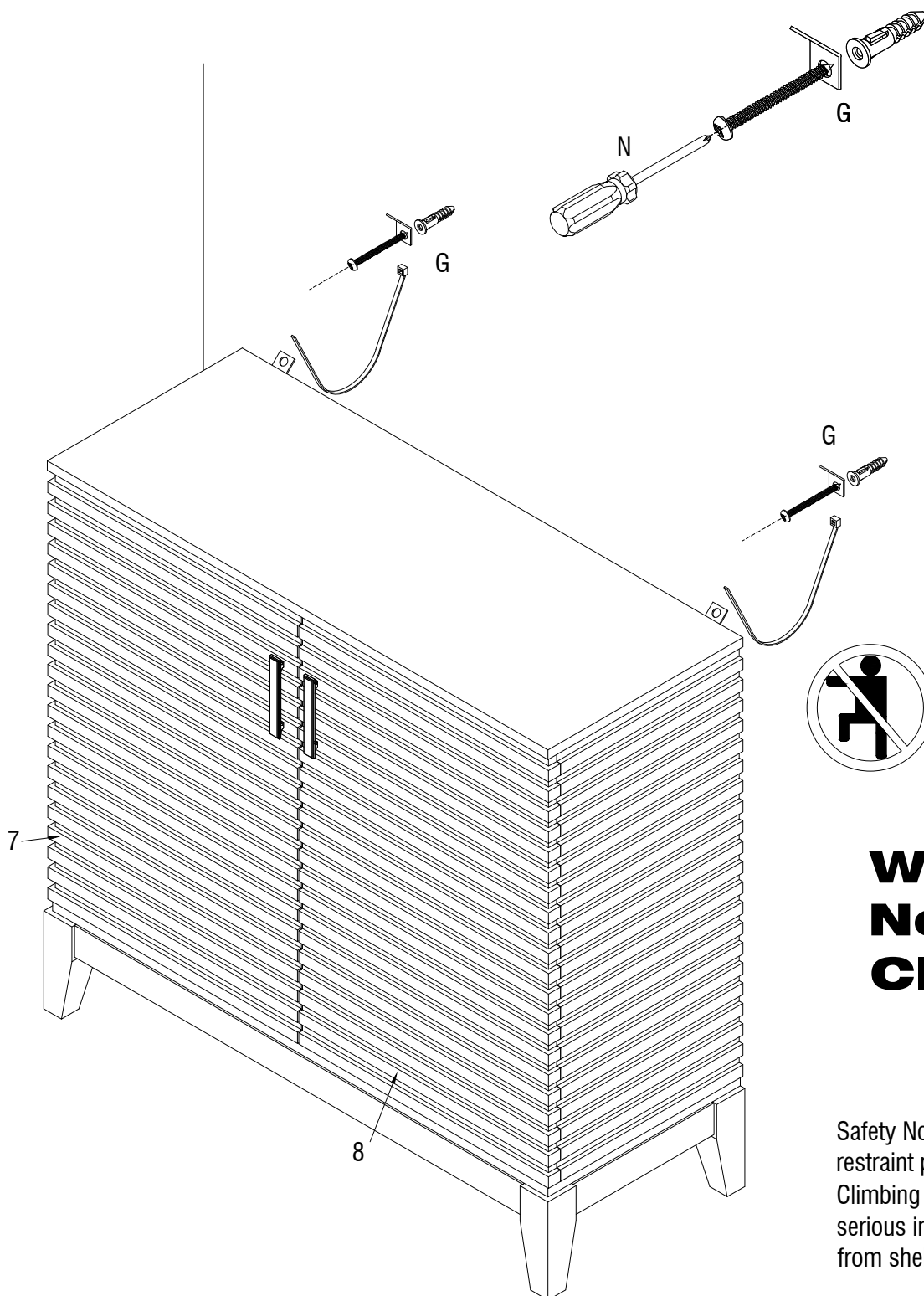
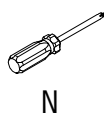
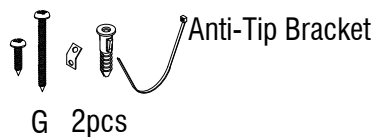
To adjust depth. Loosen screw "K1" and adjust door, if the door can not be adjusted, please loosen screw "K2", then try again. Tighten screw "K1" and "K2".

To adjust side ways. Turning the screw "K2" on BOTH hinges on each door.

The right door is installed in the same manner as the left door. Repeat the above steps to install the right door.

# ASSEMBLY INSTRUCTIONS

12

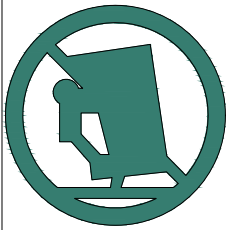


**Warning:  
No  
Climbing**

Safety Notice: Always install tipover restraint provided.  
Climbing on furniture may result in serious injury. Keep children away from shelves, cabinets and furniture.



# WARNING



1. Safety Notice: To prevent serious injury or death from tip-over, this cabinet must be securely anchored to the wall using the provided anti-tip device. Always follow the installation instructions carefully.

2. Locate Wall Studs: Use a stud finder to locate the wall studs where the cabinet will be anchored. Attach Anti-Tip Bracket: Secure the anti-tip bracket to the wall stud using the provided screws. Ensure the bracket is level and firmly attached. Anchor the Cabinet: Position the cabinet against the wall and attach it to the anti-tip bracket using the designated attachment points. Verify Stability: Gently test the cabinet to ensure it is securely anchored and does not tilt forward.

3. Never allow children to climb or hang on the cabinet. Do not place heavy items on open drawers or doors, as this may cause the cabinet to tip over. Regularly check the anti-tip device to ensure it remains securely attached.