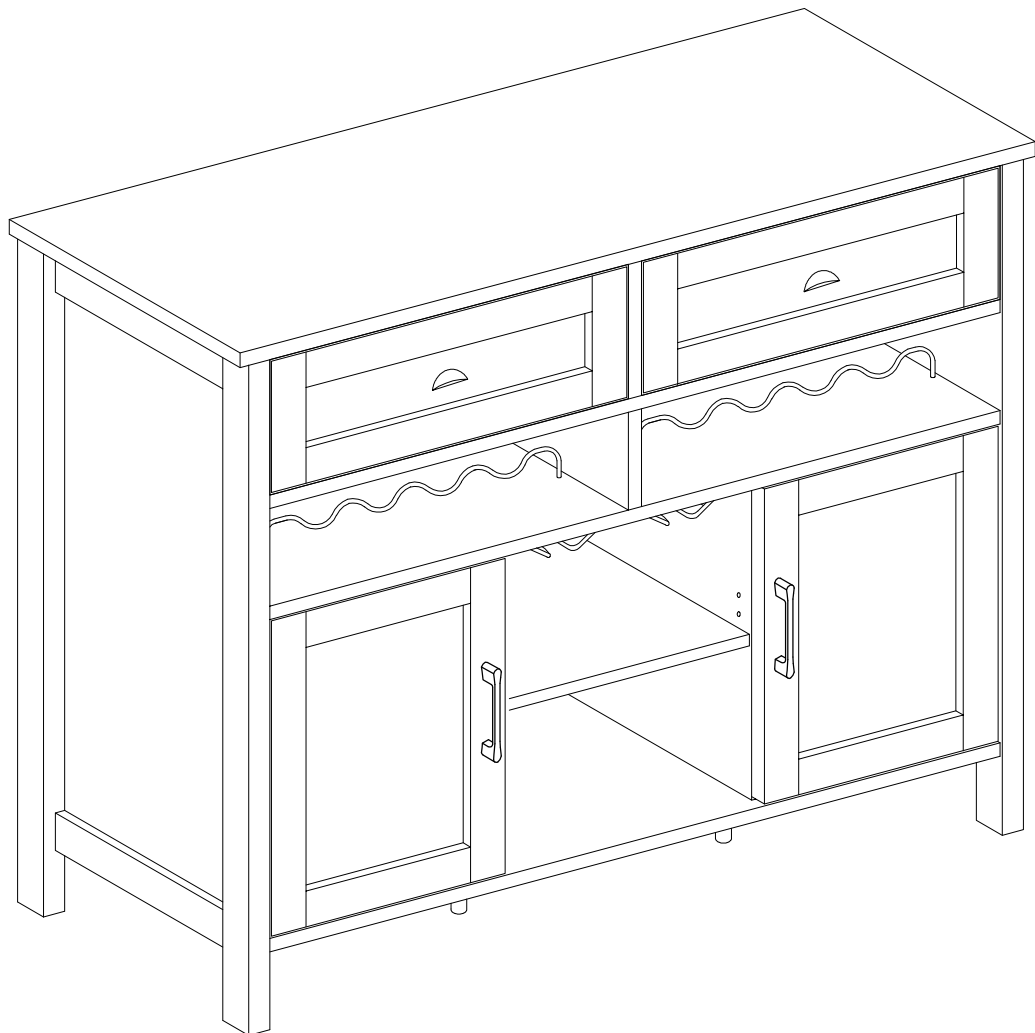




# User's Manual

## —WINE CABINET—

The picture is reference, the actual product shall prevail



<http://www.thevividwood.com/winecabinetlrwc003>

## WARM REMIND



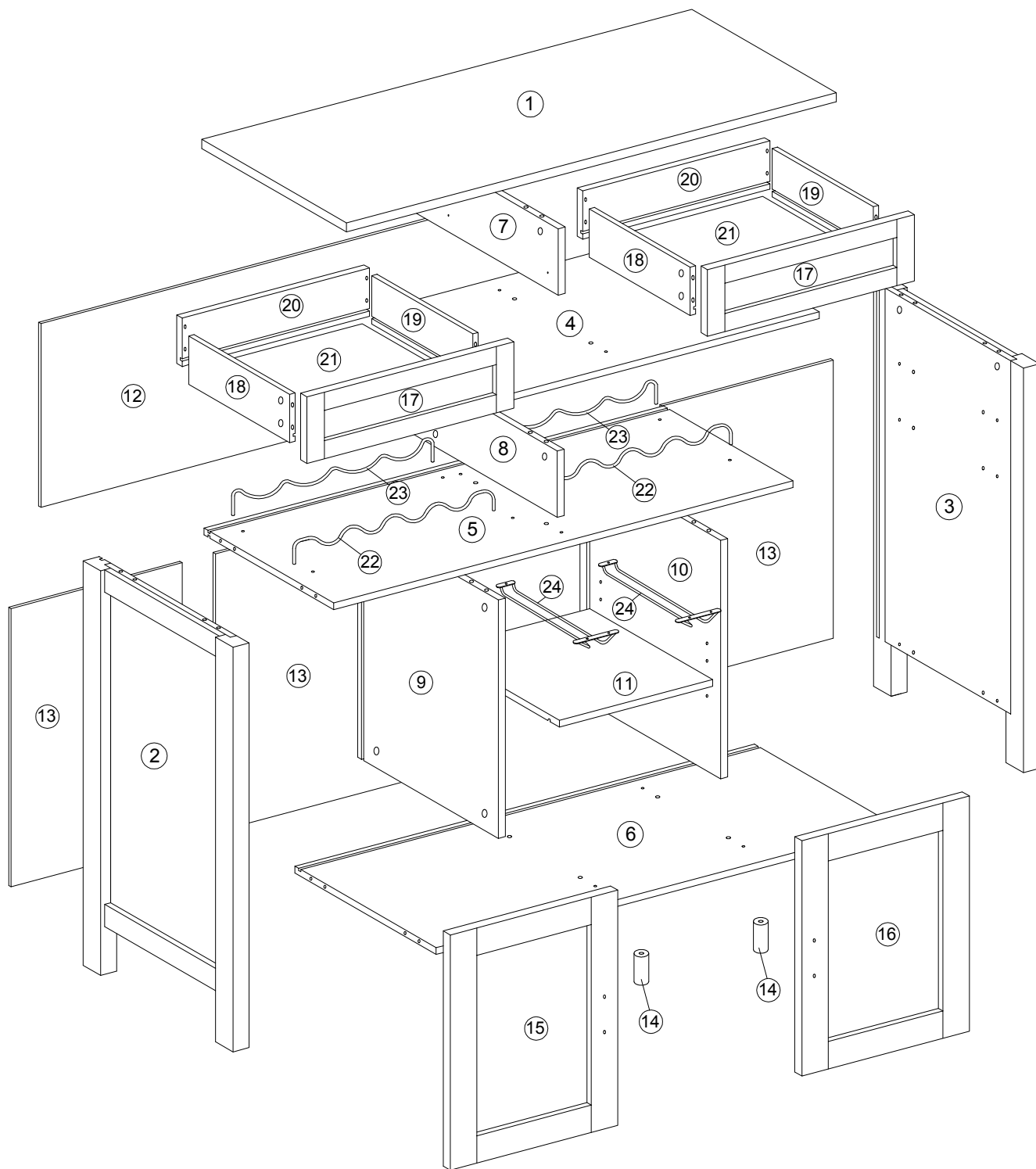
If you encounter any problems in the installation process, you can scan the QR code to watch the teaching video or contact us by email, we will reply you in time. Email: [support@thevividwood.com](mailto:support@thevividwood.com)

## SAFETY WARNING

1. **Cleaning:** Use a dry cloth to remove any dust or debris from the rack. If needed, a damp cloth can be used, but ensure the rack is dried thoroughly afterward.

2. **Stay Dry:** Although made of iron, the rack can still rust if exposed to moisture for extended periods. Do not allow water to pool around or on the rack.


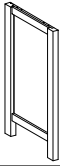

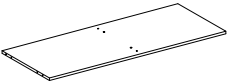


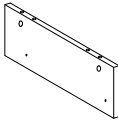
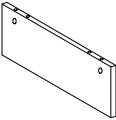
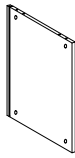
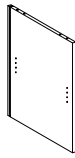
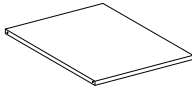


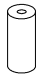
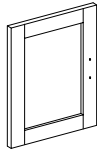
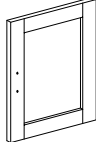
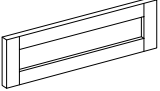
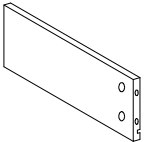
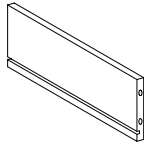
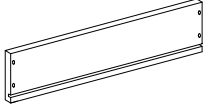



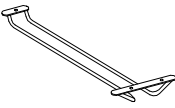
3. **Inspecting Components:** Periodically inspect the rack for any signs of wear, loose screws, or damaged parts. Replace or repair any compromised elements to ensure stability and safety.



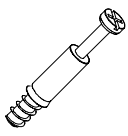
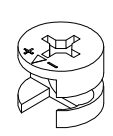

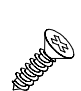
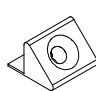


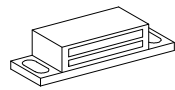


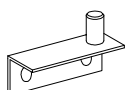
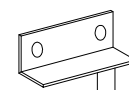
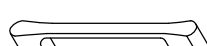
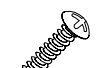


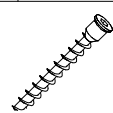

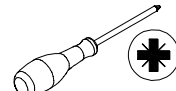
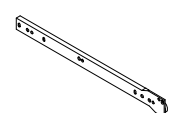
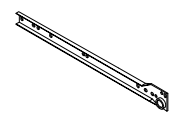
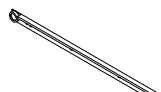
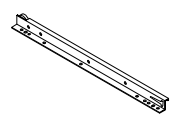
**! WARNING:**

1. Before beginning assembly, please ensure that you have all the required parts if anything is missing, please contact us for assistance instead of immediately initiating a return. We are here to help.
2. Please read each step carefully before starting the installation.
3. Please complete one step before proceeding to the next step to avoid difficulties.
4. Please put on gloves to avoid chafing.




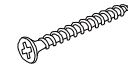
# hardware list

1	1PC		1200*400*14mm
2	1PC		888*390*30mm
3	1PC		888*390*30mm
4	1PC		1120*374*12mm
5	1PC		1120*388*12mm
6	1PC		1120*388*12mm
7	1PC		374*156*12mm
8	1PC		374*145*12mm
9	1PC		481*370*15mm
10	1PC		481*370*15mm
11	1PC		359*352*12mm
12	1PC		1126*321*5mm
13	3PCS		487*370*5mm
14	2PCS		∅25*63mm
15	1PC		475*376*14mm
16	1PC		475*376*14mm
17	2PCS		548*150*14mm
18	2PCS		318*126*12mm
19	2PCS		318*126*12mm
20	2PCS		532*126*12mm
21	2PCS		515*328*5mm
22	2PCS		436*70*6mm
23	2PCS		436*50*6mm
24	2PCS		260*120*38mm

# hardware list

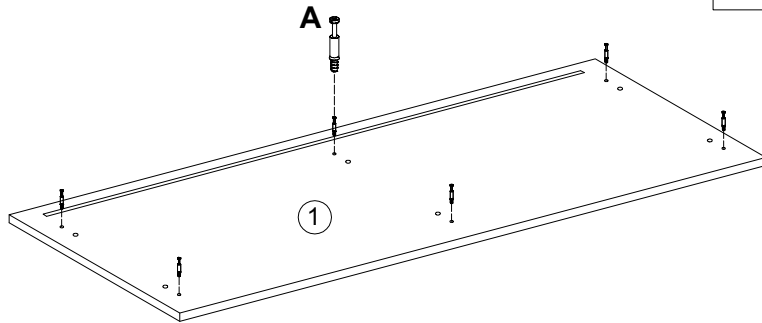
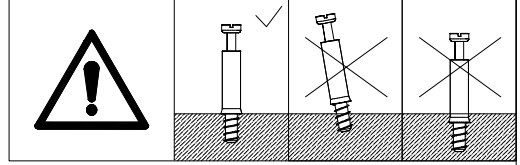
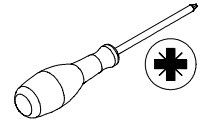
A	39PCS	B	39PCS	C	33PCS	D	21PCS	E	17PCS
									
∅6*35mm		∅15*9.5mm		∅8*30mm		∅3.0*16mm		15*15*9mm	
F	2PCS	G	4PCS	H	2PCS	I	2PCS	J	35PCS
									
80*30*18mm		∅4*10mm		∅48*15*12mm		∅48*12*1.2mm		∅3.0*12mm	
K	2PCS	L	2PCS	M	2PCS	N	4PCS	O	1PC
									
50*30*15mm		50*30*15mm		127*11*19mm		∅4*16mm		M3	
P	5PCS	Q	11PCS	R	4PCS	S	1PC	CL	2PCS
									
∅5*15mm		∅5*48mm				4*120mm		350mm	
GR	2PCS	DL	2PCS	DR	2PCS				
									
350mm		350mm		350mm					

# Anti-overturn hardware bag

W	2PCS	X	2PCS	Y	2PCS	Z	2PCS
							
∅3.0*12mm						∅7*40mm	

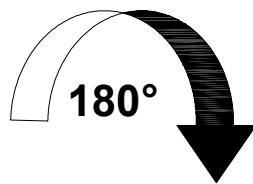
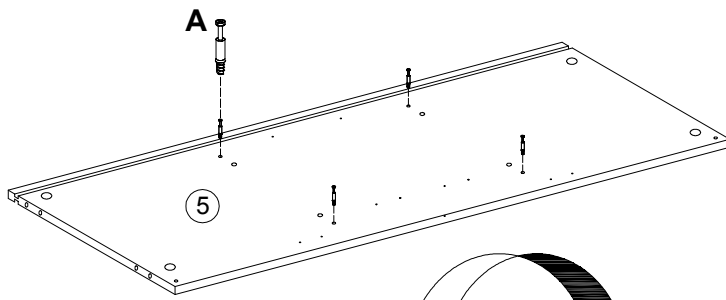
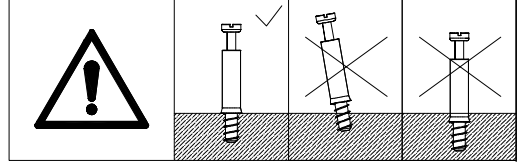
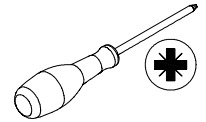
# STEP 1

A x 6  
Ø6 x 35mm

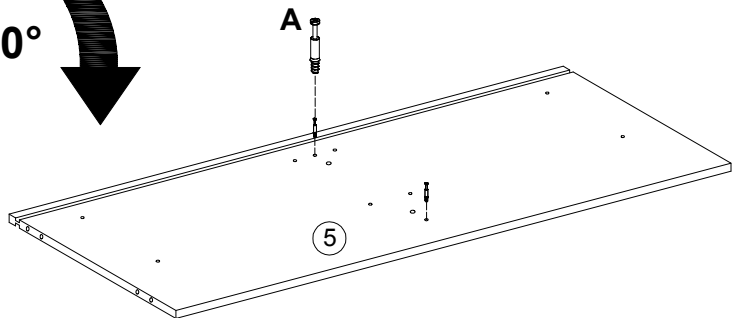


# STEP 2

A x 6  
Ø6 x 35mm



180°



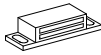
# STEP3

D x 4



Ø3.0 x 16mm

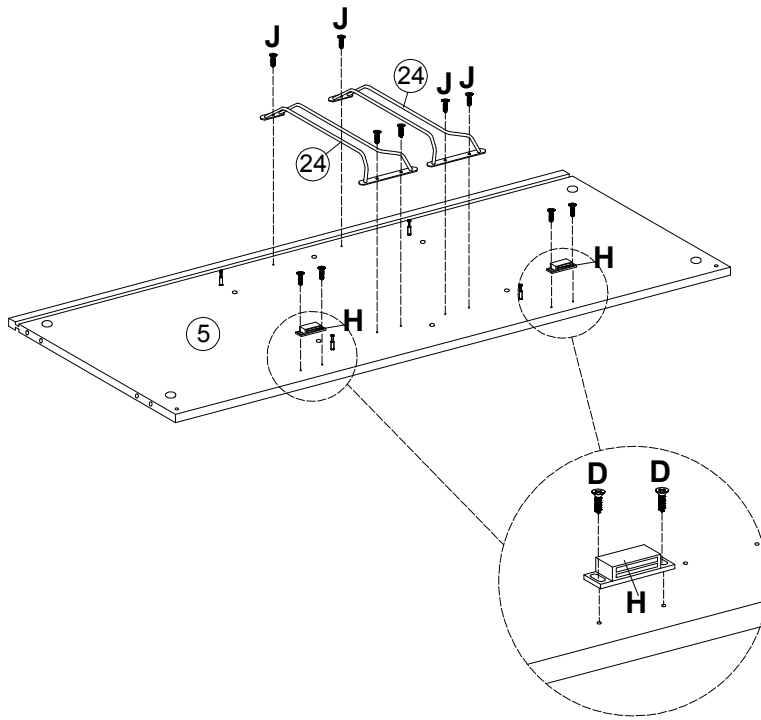
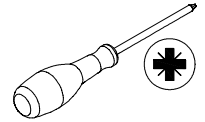
H x 2



J x 6



Ø3.0 x 12mm



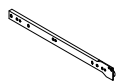
# STEP4

J x 4



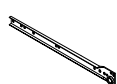
Ø3.0 x 12mm

CL x 1

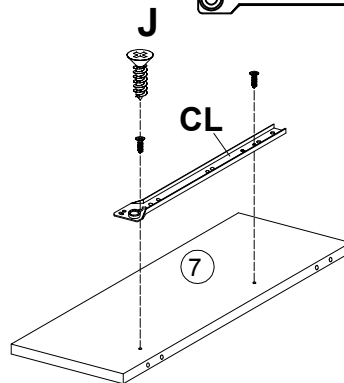
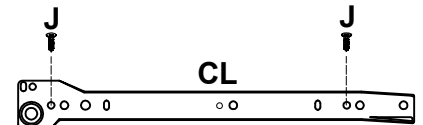
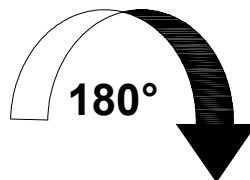
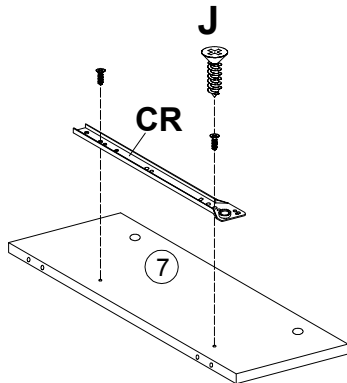
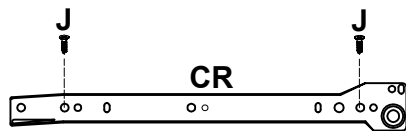
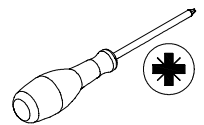


350mm



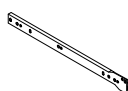
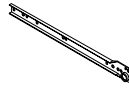
CR x 1

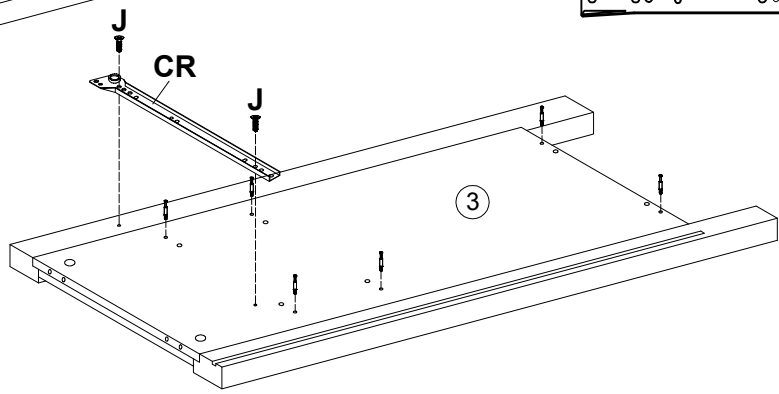
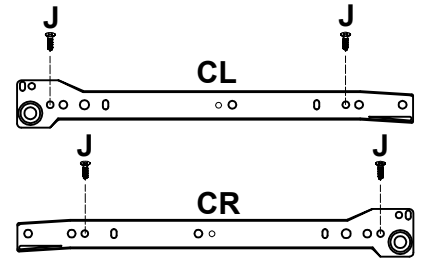
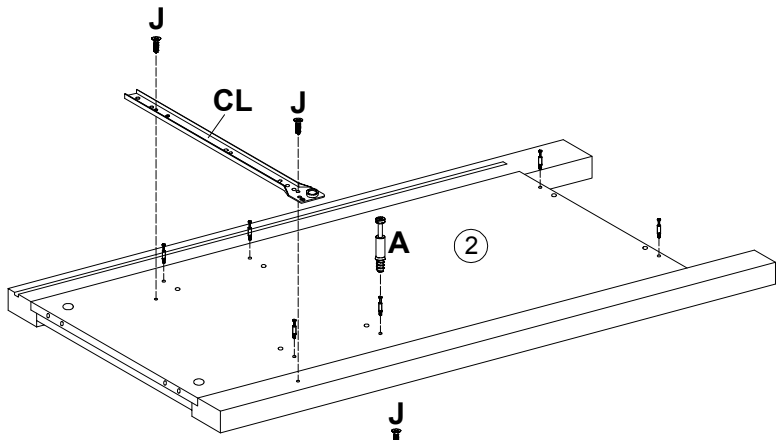
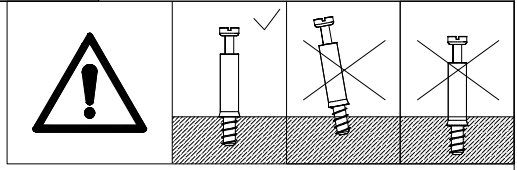
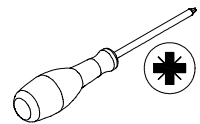


350mm


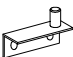


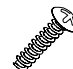



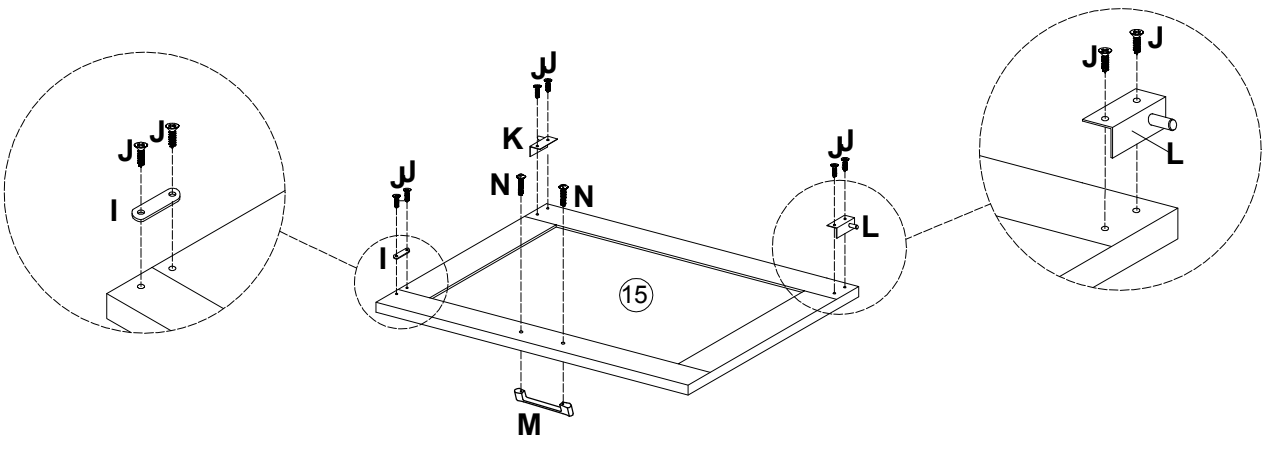
# STEP 5

<b>A x 12</b>  Ø6 x 35mm	<b>J x 4</b>  Ø3.0 x 12mm	<b>CL x 1</b>  350mm	<b>CR x 1</b>  350mm
---	--	---	--



# STEP 6

<b>J x 6</b>  Ø3.0 x 12mm	<b>K x 1</b> 	<b>L x 1</b> 	<b>M x 1</b> 	<b>N x 2</b>  Ø4 x 16mm	<b>I x 1</b> 
--	---	---	--	--	---



# STEP 7

J x 6



Ø3.0 x 12mm

K x 1



L x 1



M x 1

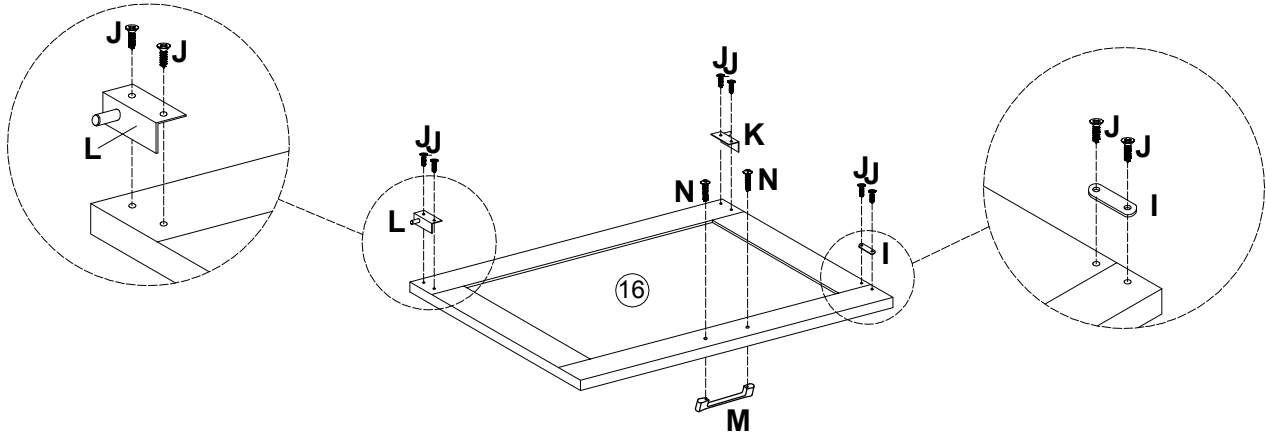


N x 2



Ø4 x 16mm

I x 1



# STEP 8

A x 4



Ø6 x 35mm

B x 4

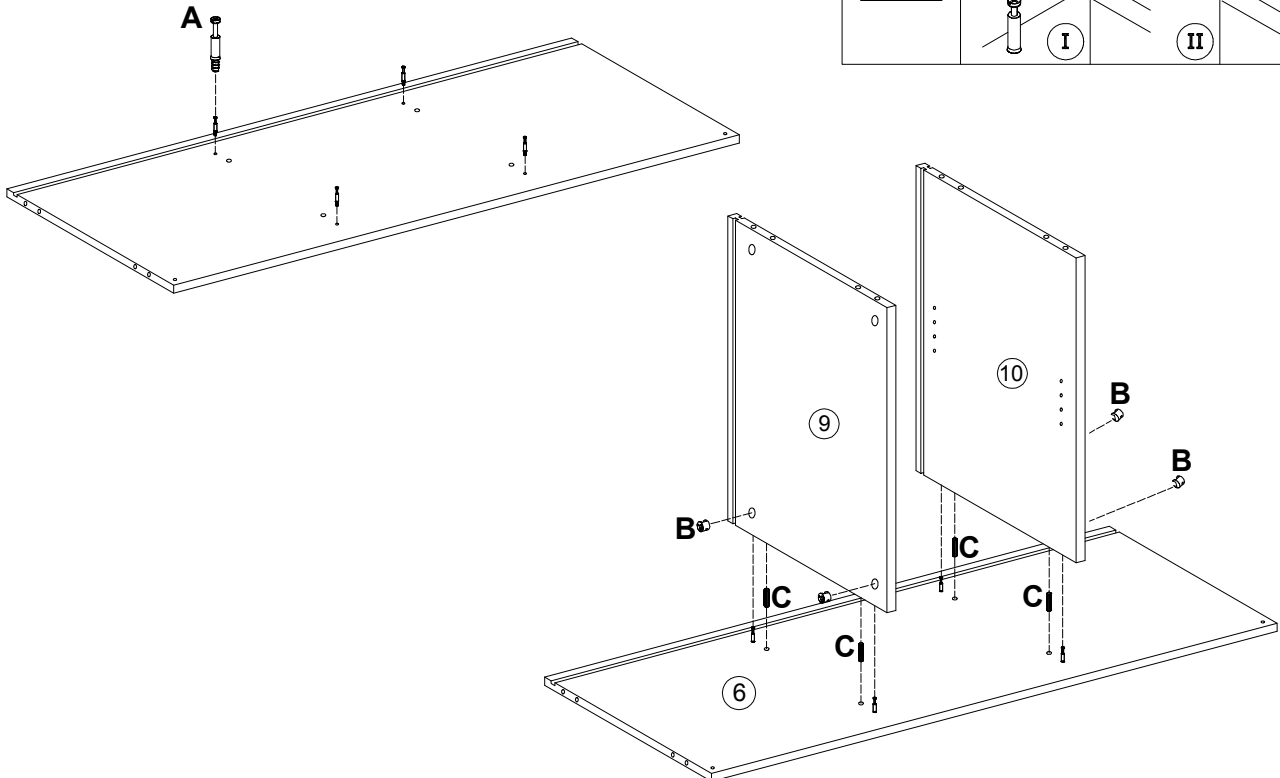
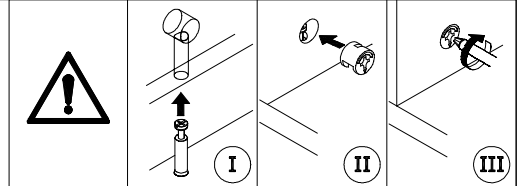
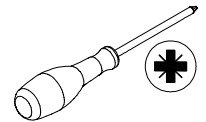


Ø15 x 9.5mm

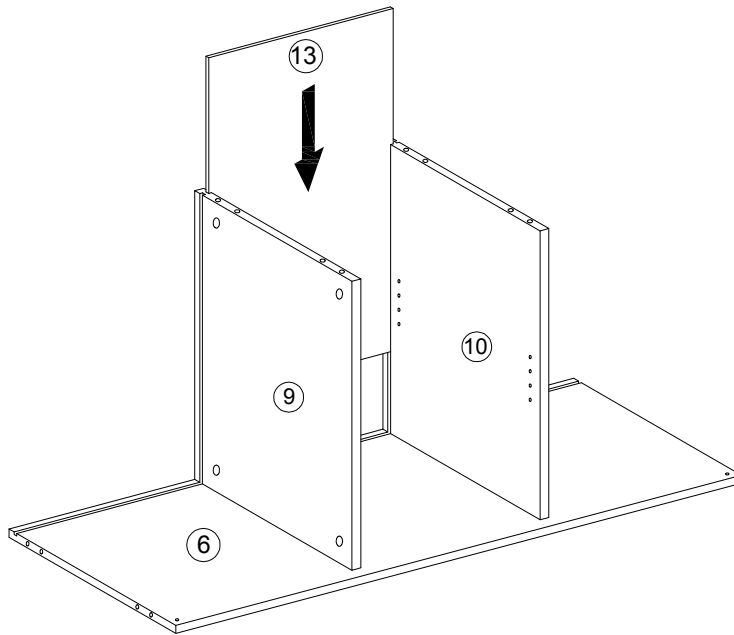
C x 4



Ø8 x 30mm



# STEP 9



# STEP 10

**B x 4**



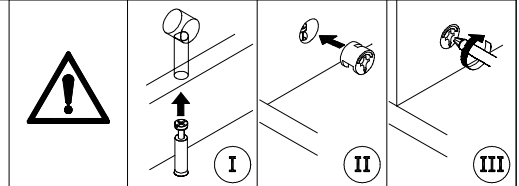
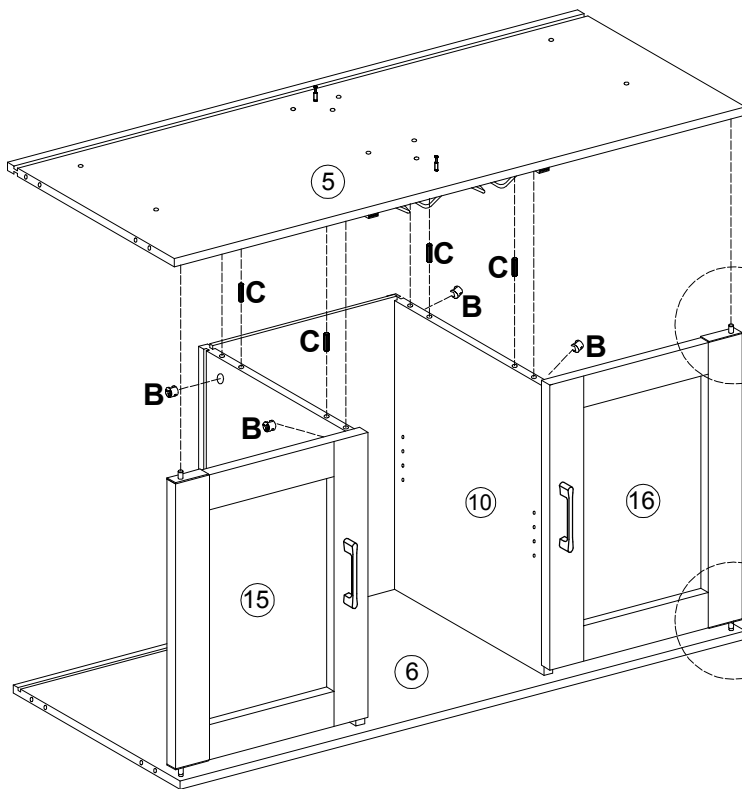
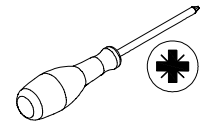
Ø15 x 9.5mm

**C x 4**




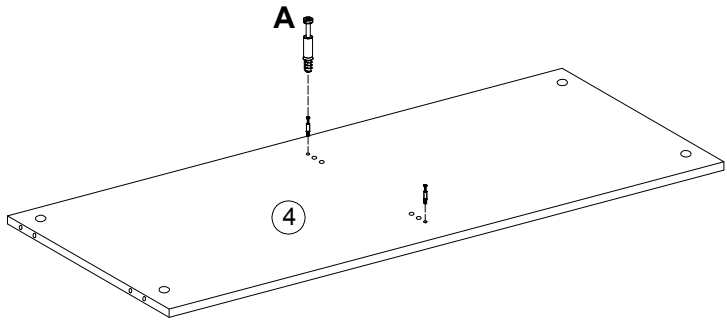
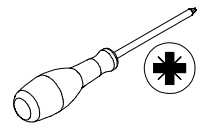
Ø8 x 30mm

**R x 4**





# STEP11


**A x 2**  
  
**Ø6 x 35mm**

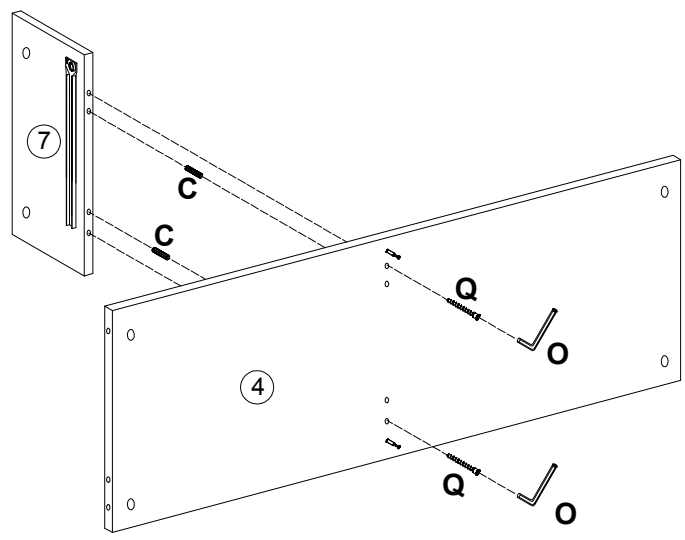
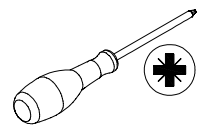


# STEP12

**C x 2**  
  
**Ø8 x 30mm**

**O x 1**  


**Q x 2**  
  
**Ø5 x 48mm**



# STEP 13

B x 2

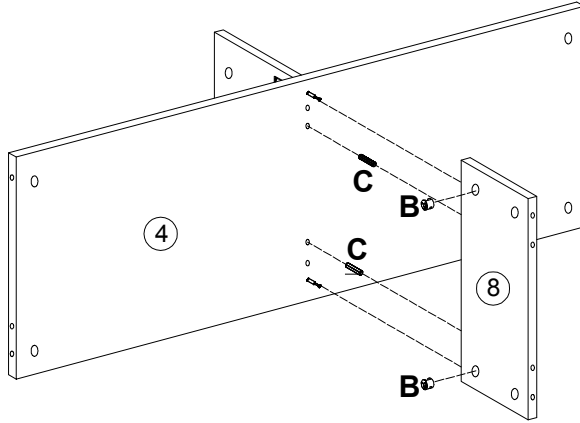
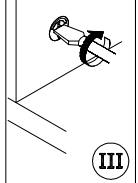
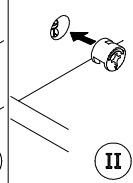
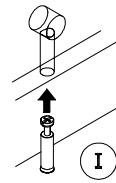
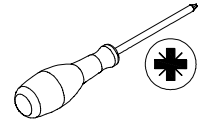


Ø15 x 9.5mm

C x 2



Ø8 x 30mm



# STEP 14

B x 2

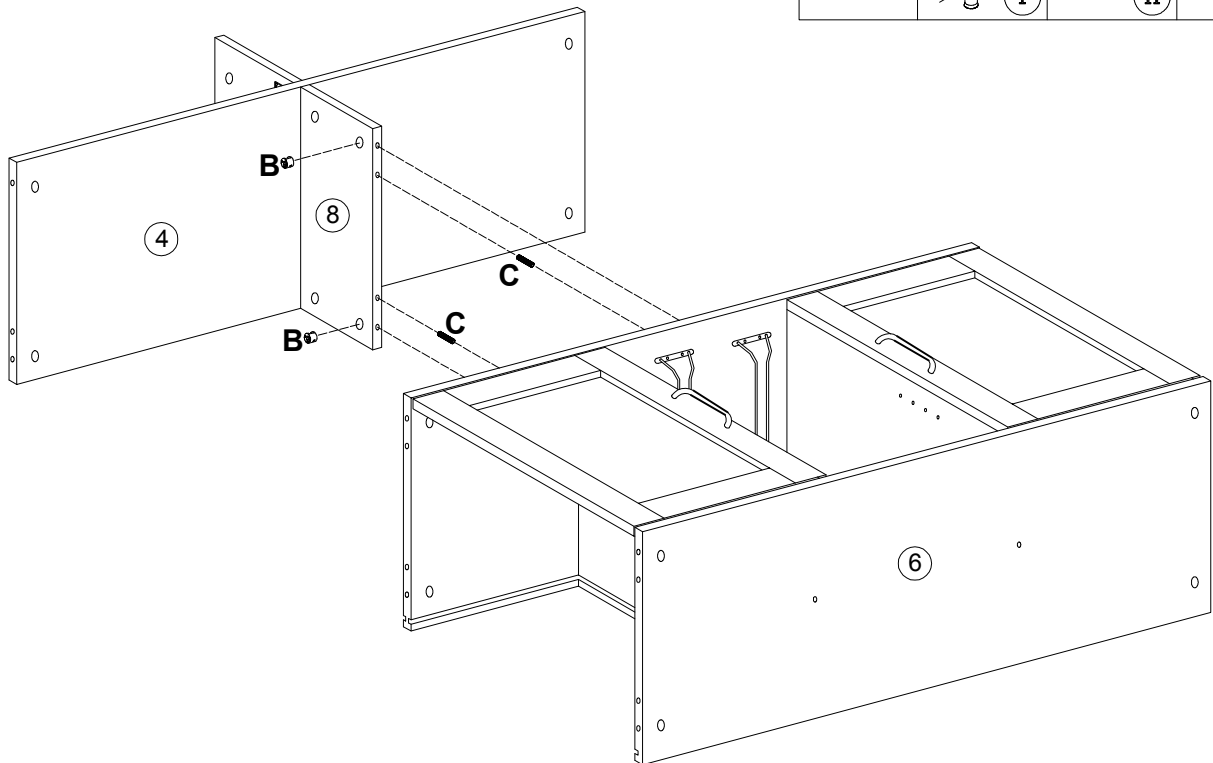
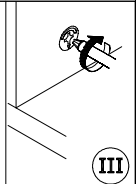
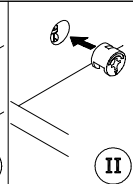
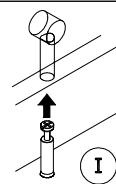
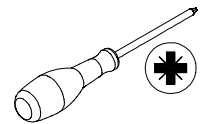


Ø15 x 9.5mm

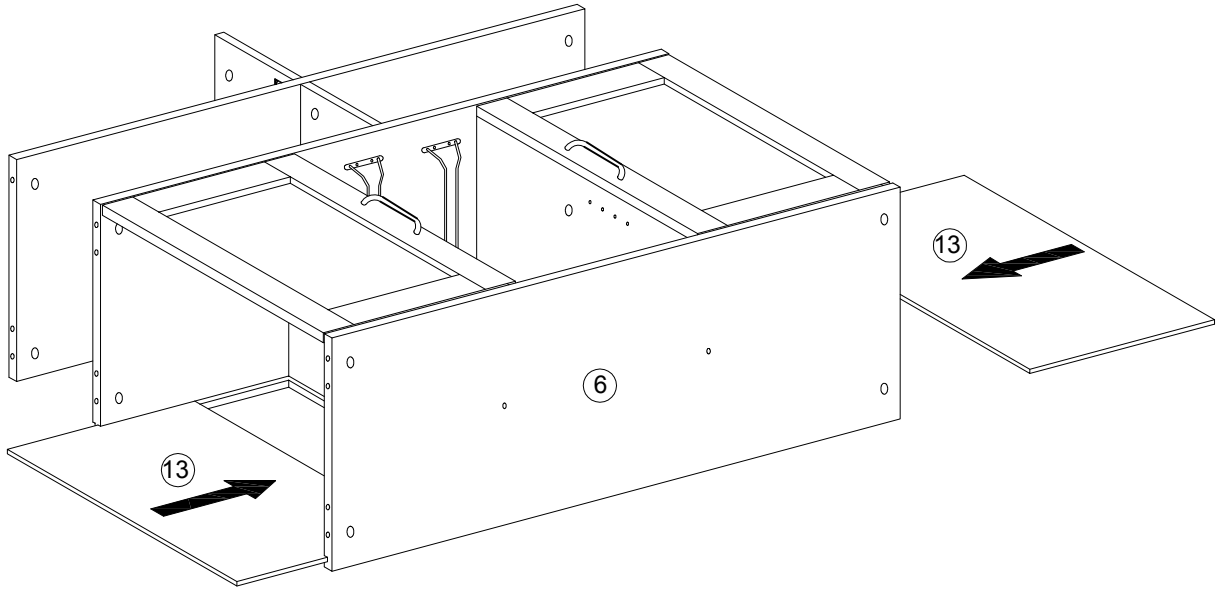
C x 2



Ø8 x 30mm



# STEP 15



# STEP 16

**B x 4**

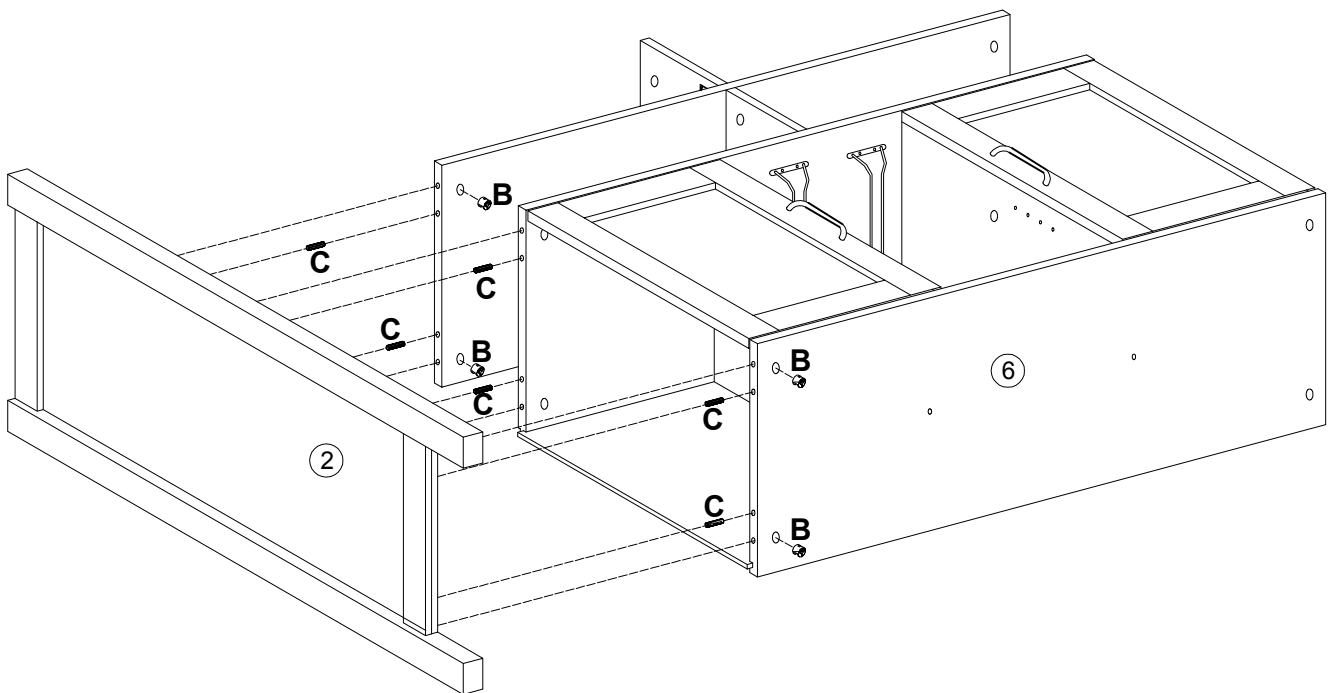
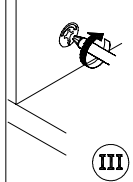
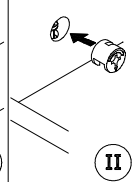
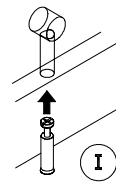
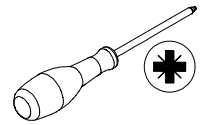


Ø15 x 9.5mm

**C x 6**



Ø8 x 30mm



# STEP 17

B x 4

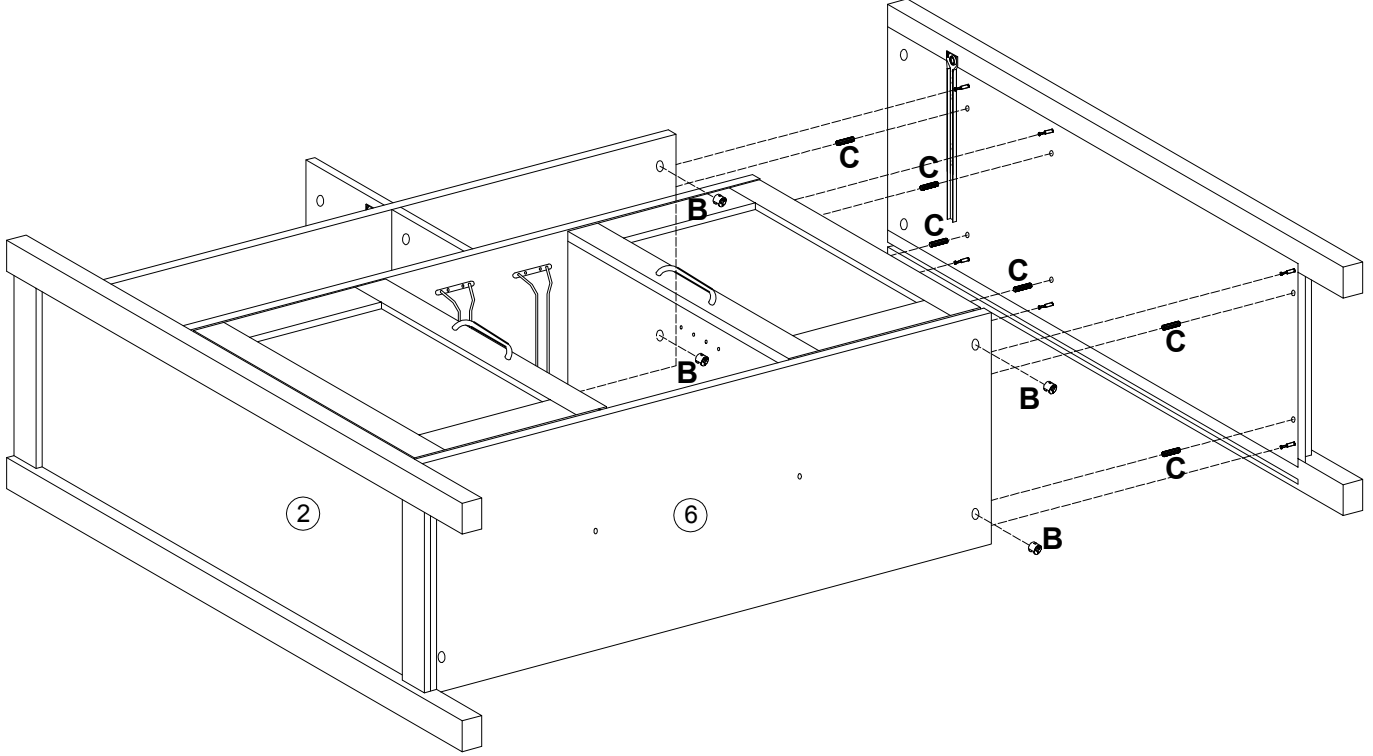
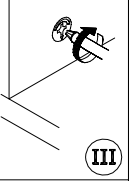
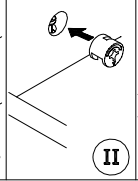
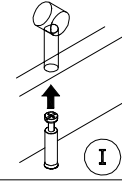
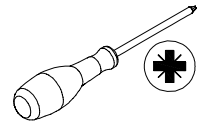


Ø15 x 9.5mm

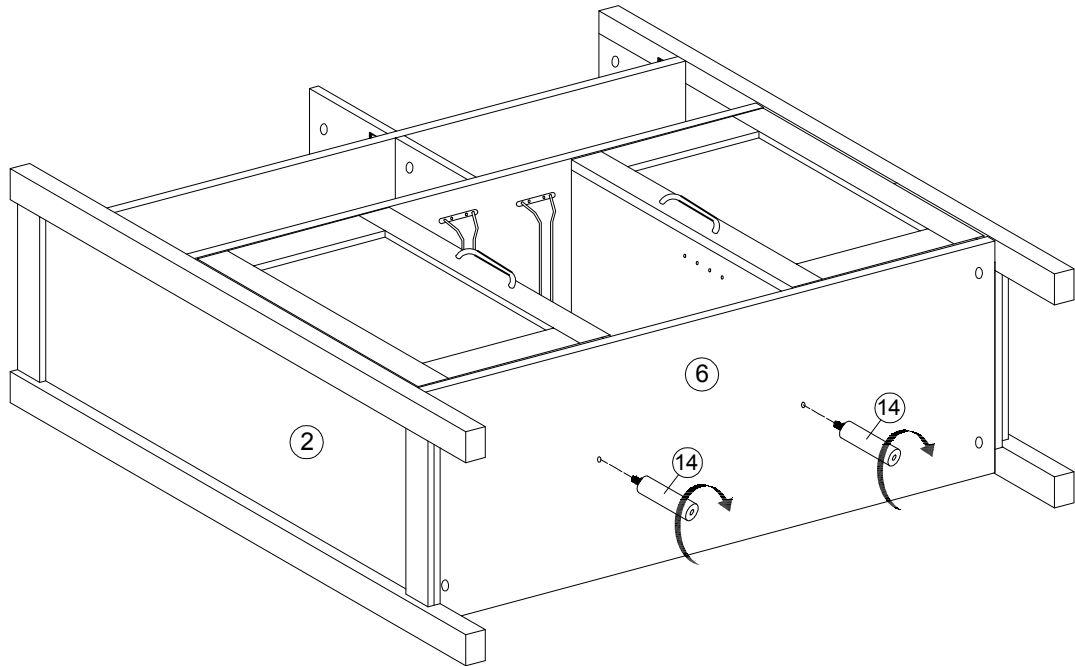
C x 6



Ø8 x 30mm



# STEP 18

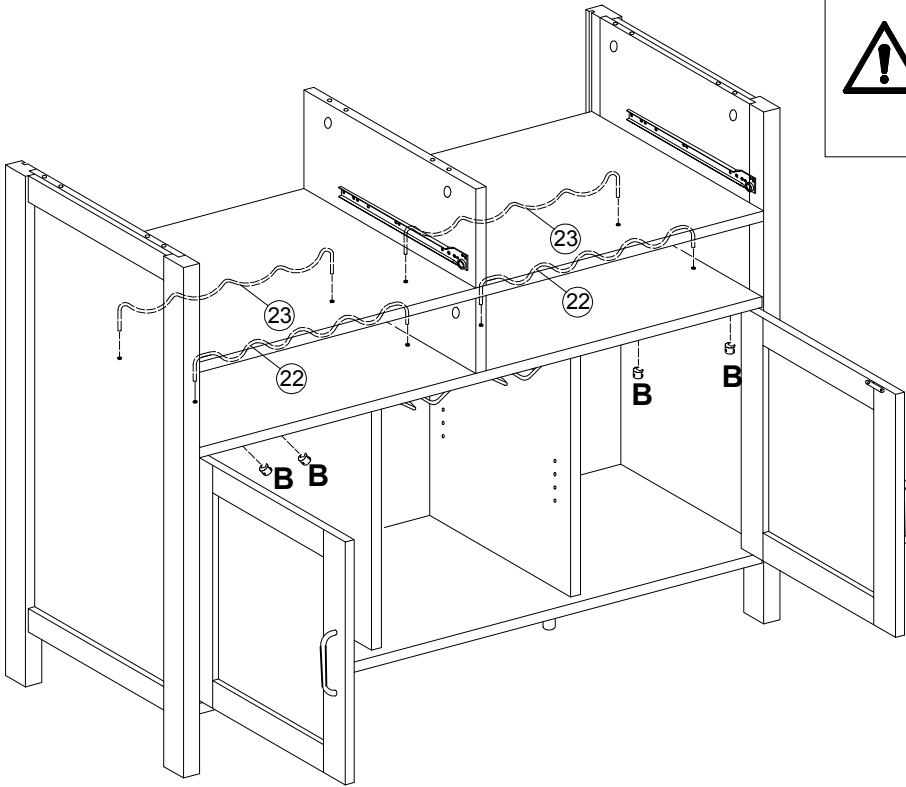
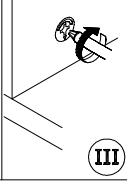
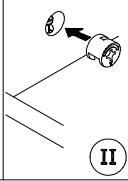
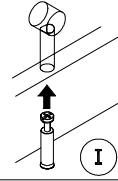
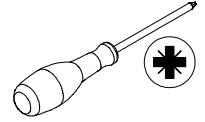


# STEP19

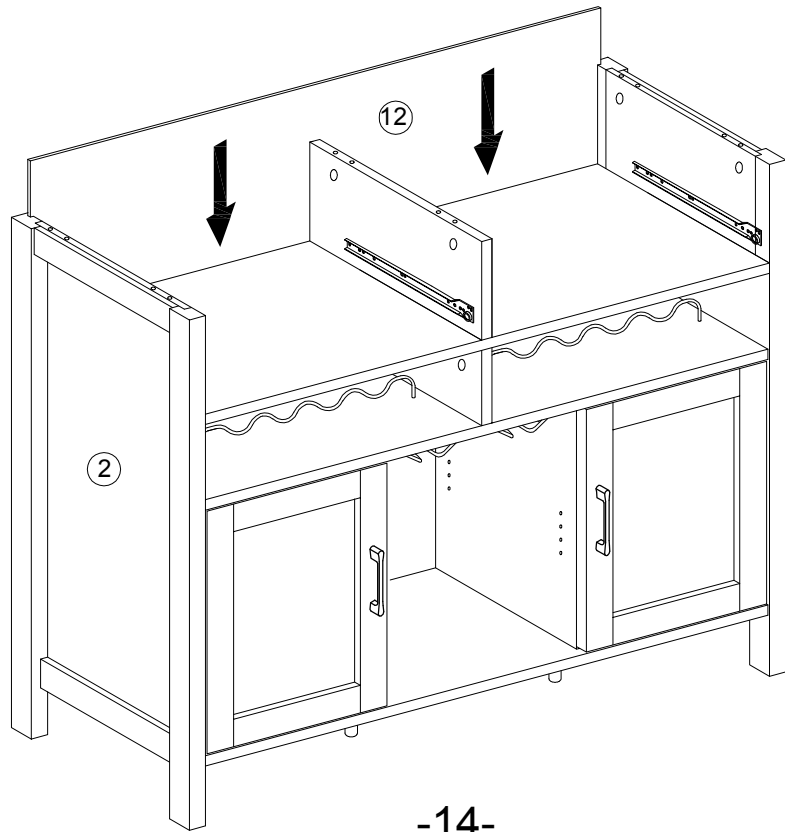
B x 4



Ø15 x 9.5mm



# STEP20



# STEP21

**B x 6**

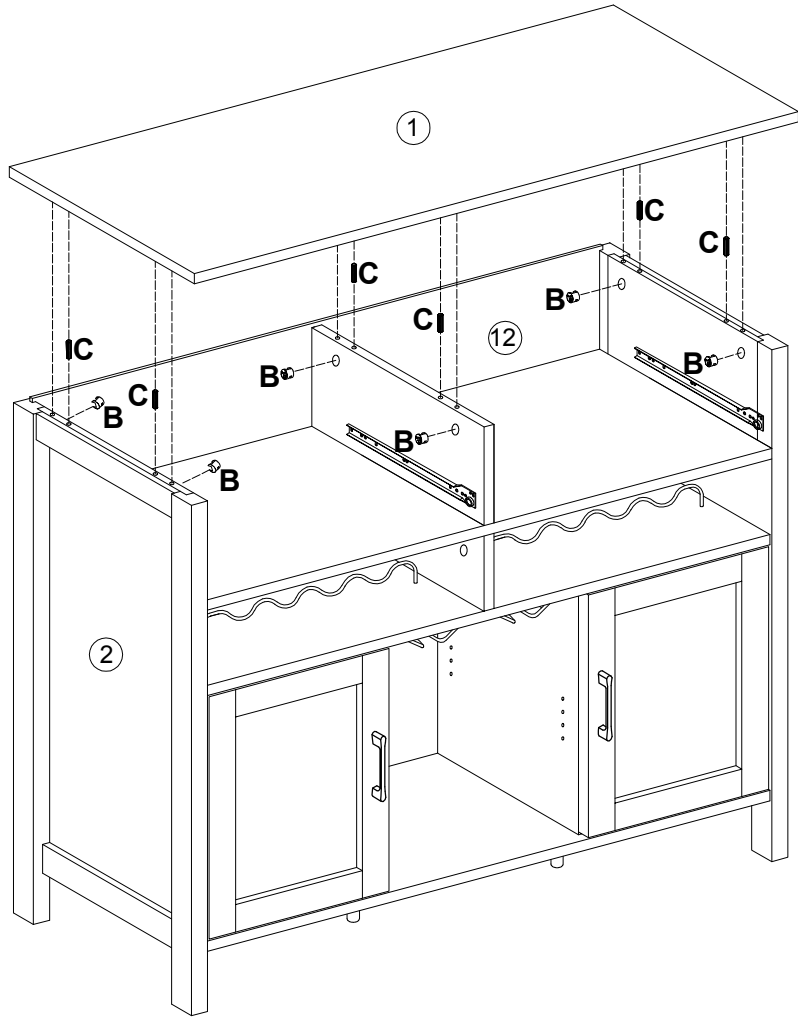
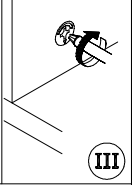
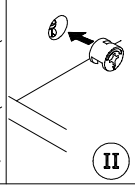
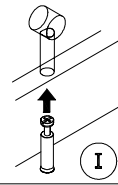
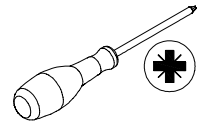


Ø15 x 9.5mm

**C x 6**



Ø8 x 30mm



# STEP22

D x 16

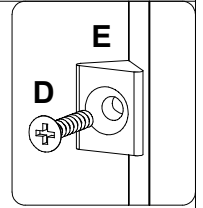
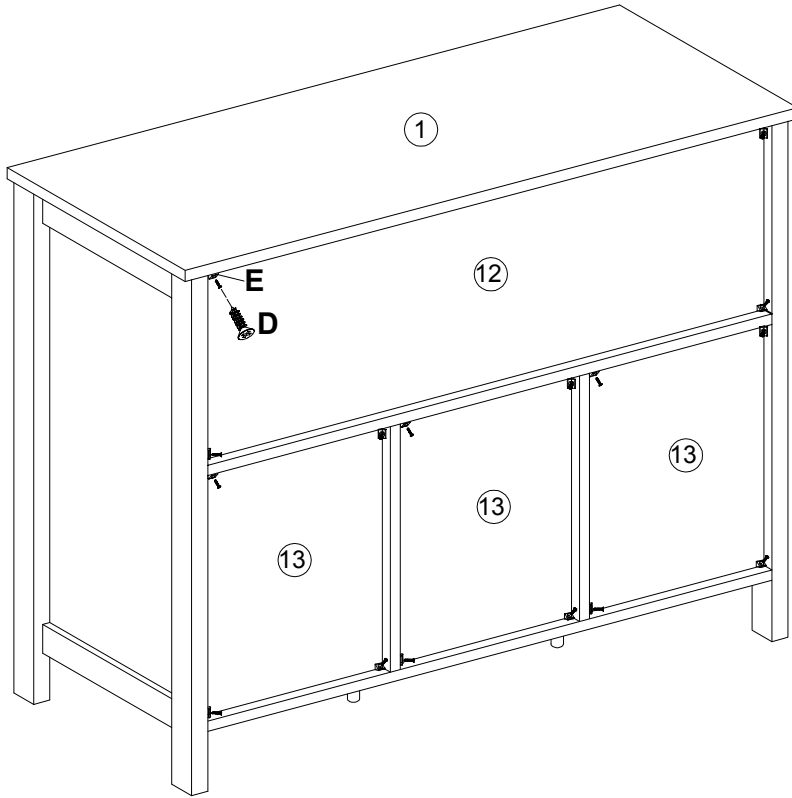
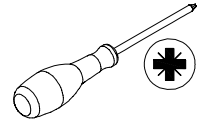


Ø3.0 x 16mm

E x 16



15\*15\*9mm

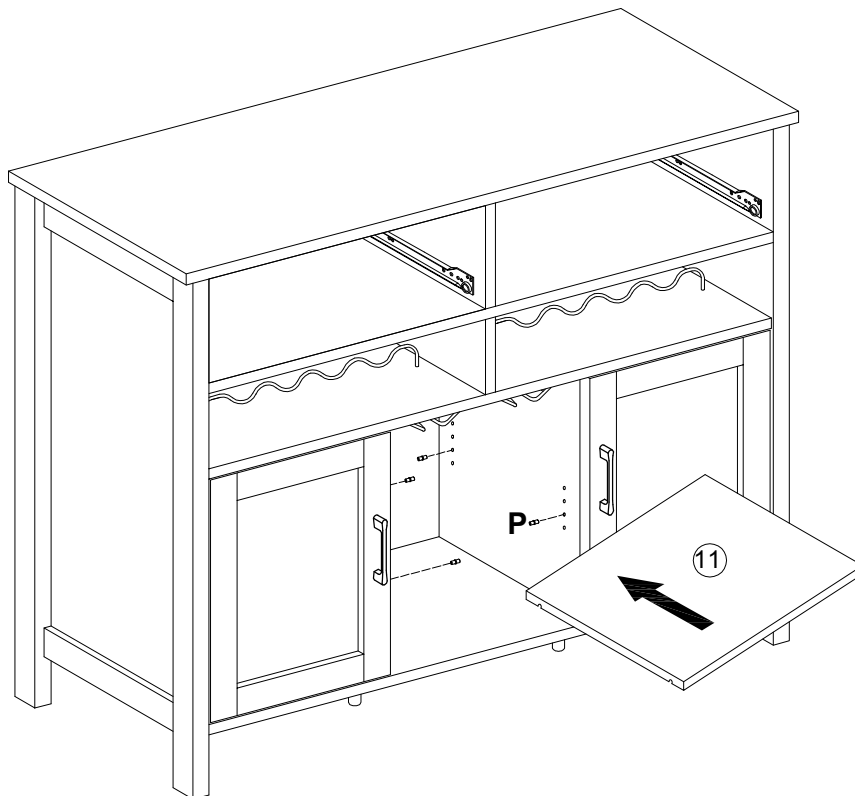


# STEP23

P x 4



Ø5.0 x 15mm



# STEP24

A x 8



Ø6 x 35mm

B x 8



Ø15 x 9.5mm

F x 2

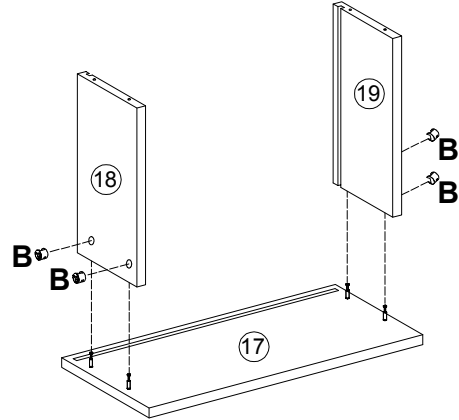
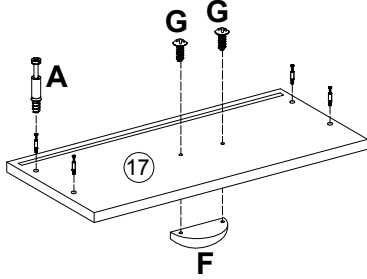
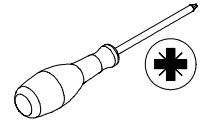


80\*30\*18mm

G x 4



Ø4\*10mm



# X 2

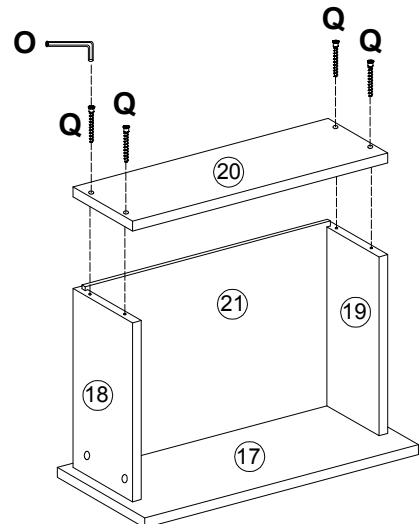
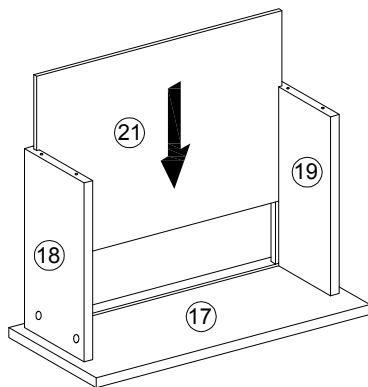
# STEP25

Q x 8



Ø5 x 48mm

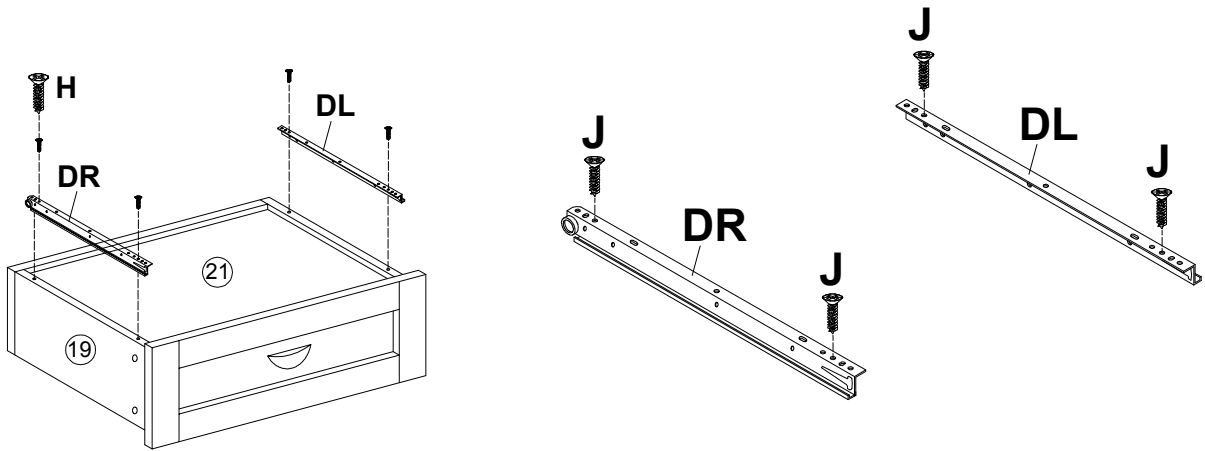
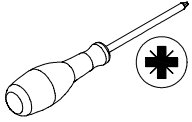
O x 1



# X 2

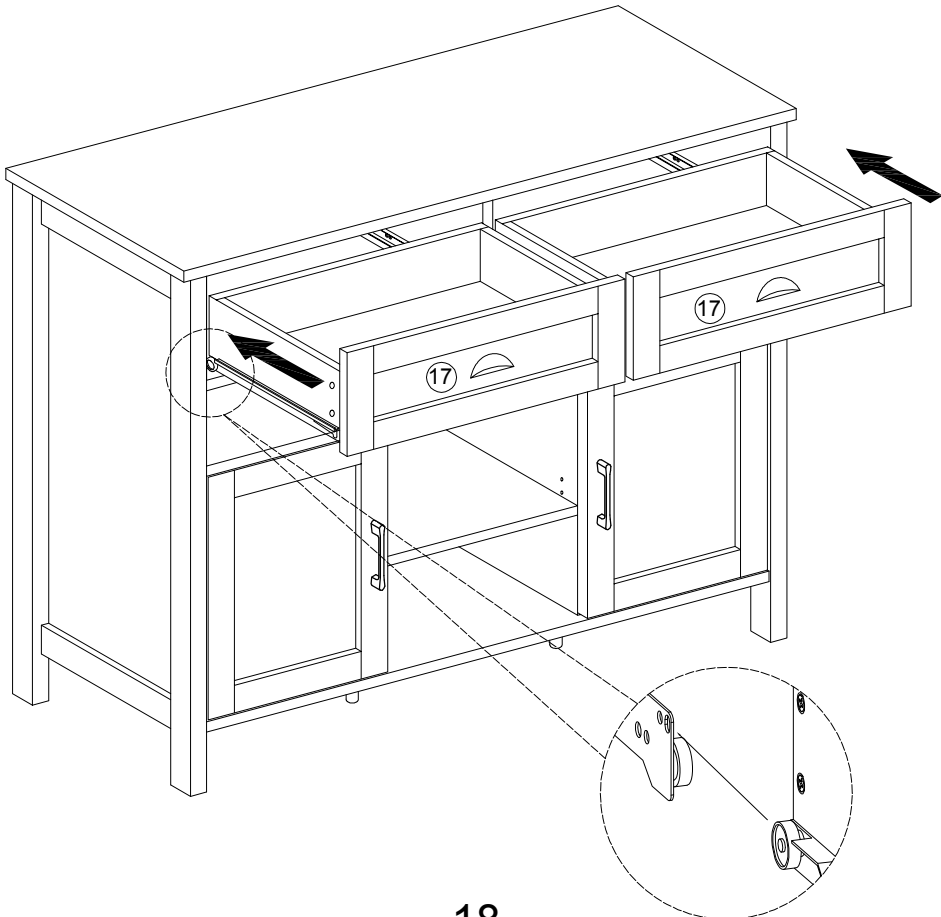
# STEP26

<b>DL x 2</b>  350mm	<b>DR x 2</b>  350mm	<b>J x 8</b>  Ø3.5 x12mm
---	---	---



## X 2

# STEP27



# STEP 28

W x 2



Ø3.0 x 12mm

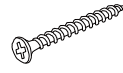
X x 2



Y x 2



Z x 2



Ø7.0 x 40mm

