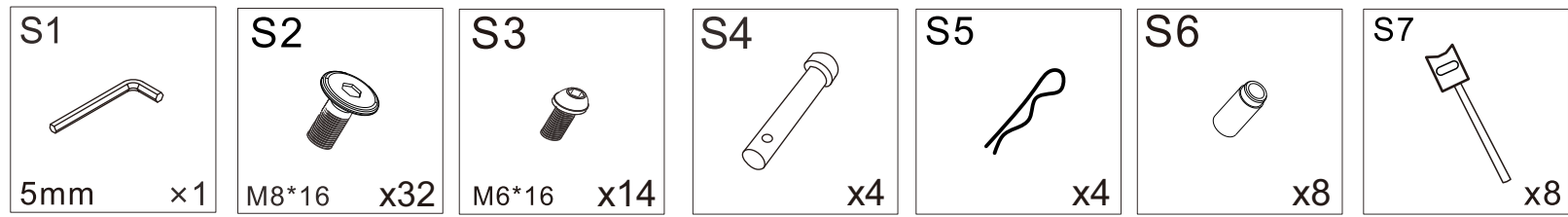
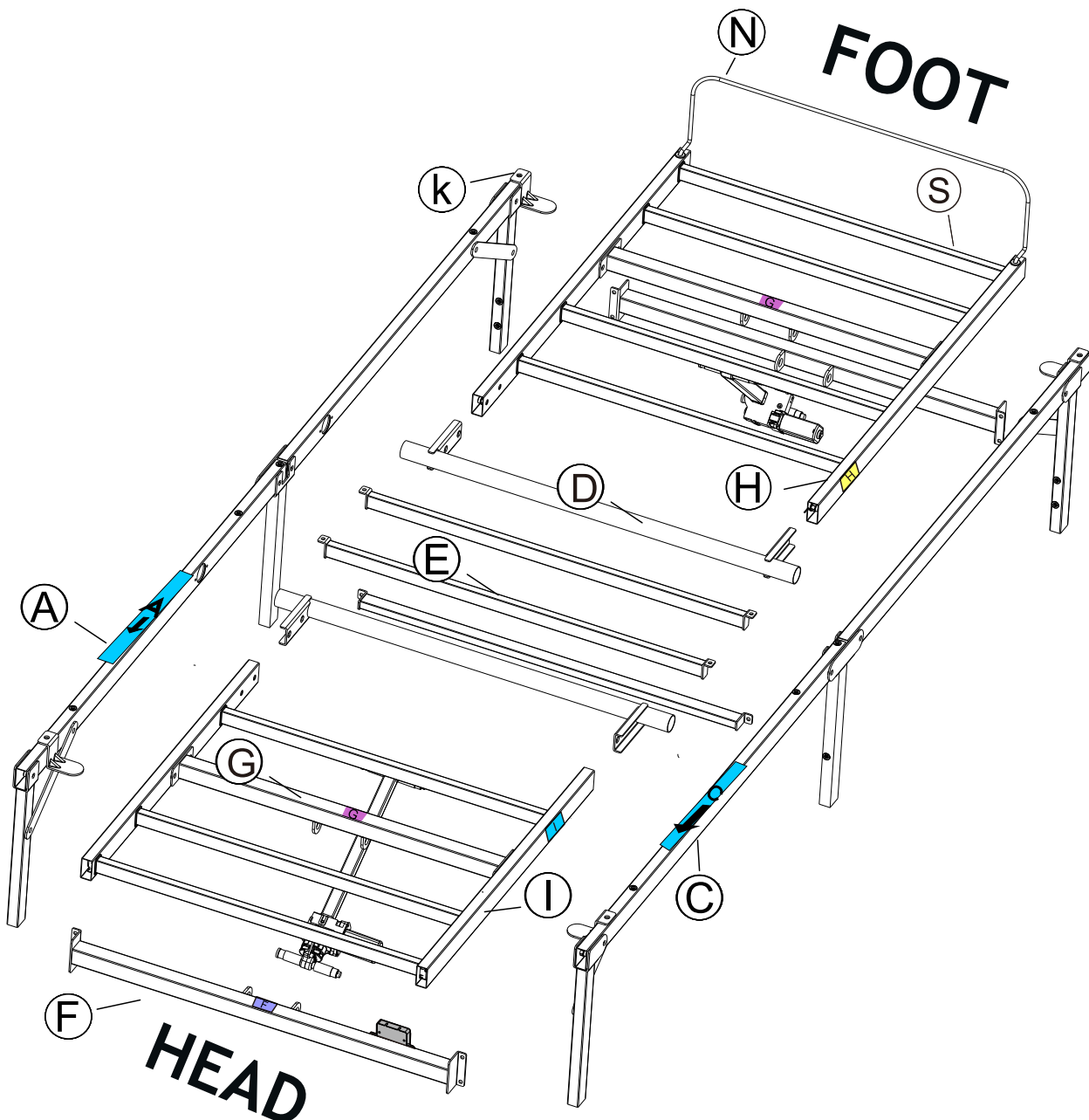
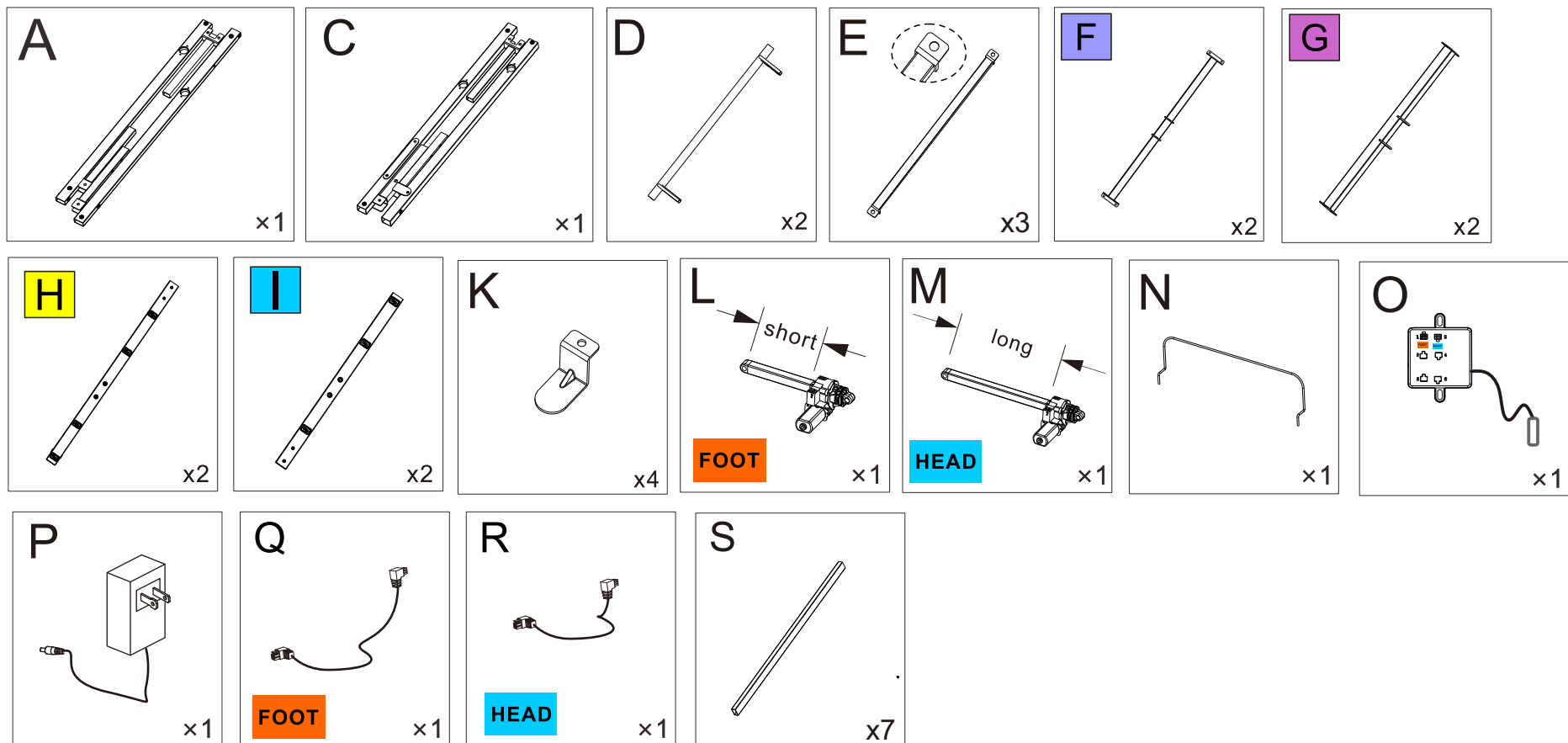


Assembly Instruction

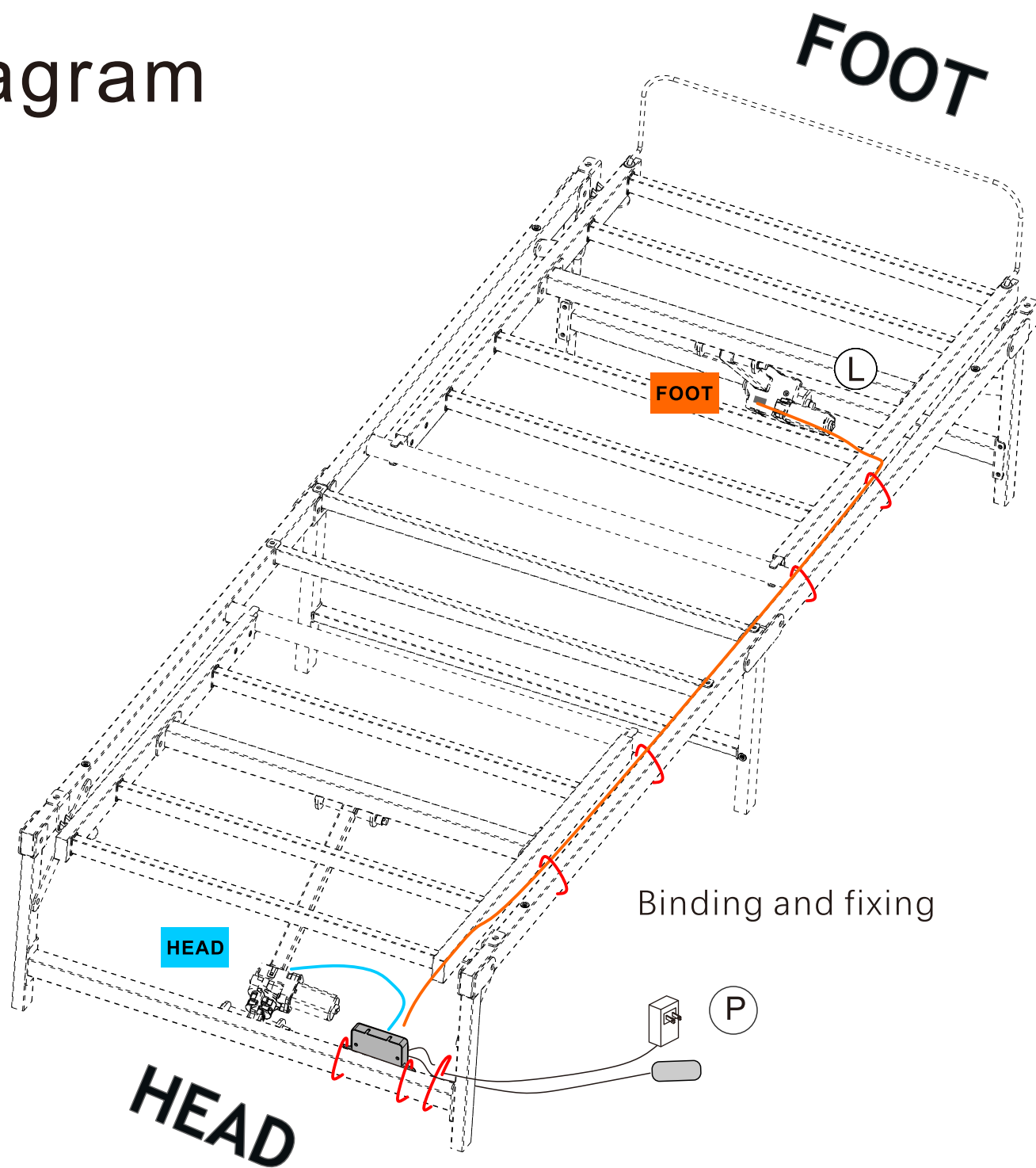
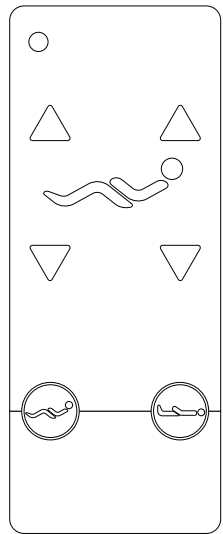
• SCREW ACCESSORIES



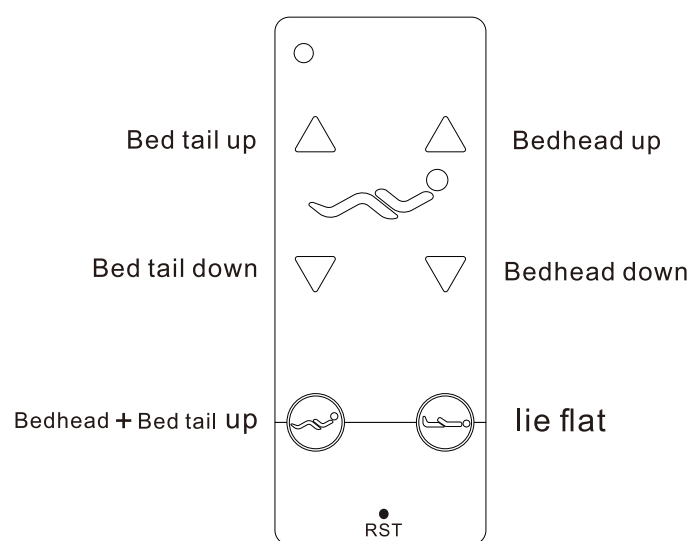
• PARTS ACCESSORIES



Line diagram



Product Introduction



Double-clicking the button can continue the operation, and any key can interrupt the operation.

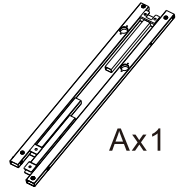
RST
Reset

When the " RST " button is pressed, the head and tail of the bed will automatically operate. Wait for 1 minute before the operation stops. Reset completed

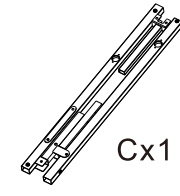
Notes:

- ◆ Be sure to have two or more people assemble and flip it.
- ◆ In order to ensure the use effect, try to use a mattress that can be folded.
- ◆ Make sure all the pendants are not loose.
- ◆ Make sure there are no obstructions around the bed before use.
- ◆ Children under 12 years of age should be supervised by an adult.
- ◆ If there is a sudden power outage during use, please wait for the power to turn on and continue to use.
- ◆ The bed frame needs to be used with a mattress.

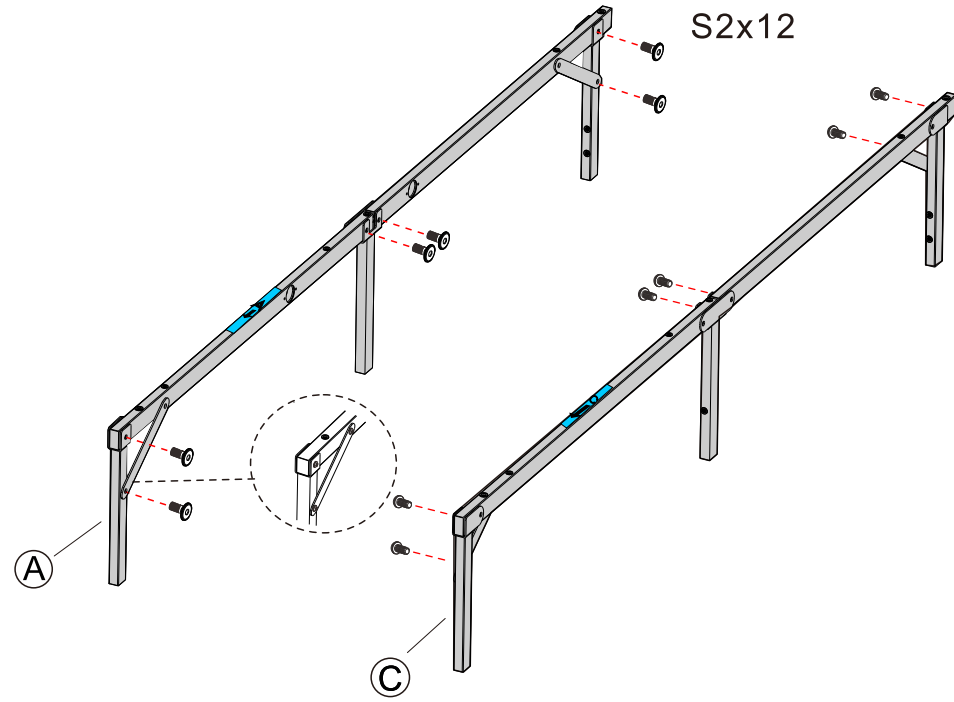
1



Ax1



Cx1



S2x12

A

C

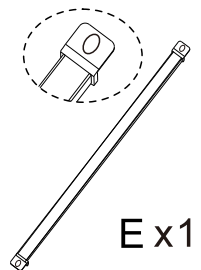


S1 5mm x1

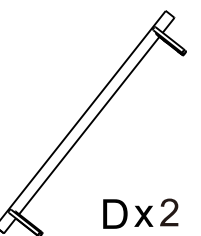
S2 M8*16 x12

⚠ After installation, please tighten all screws

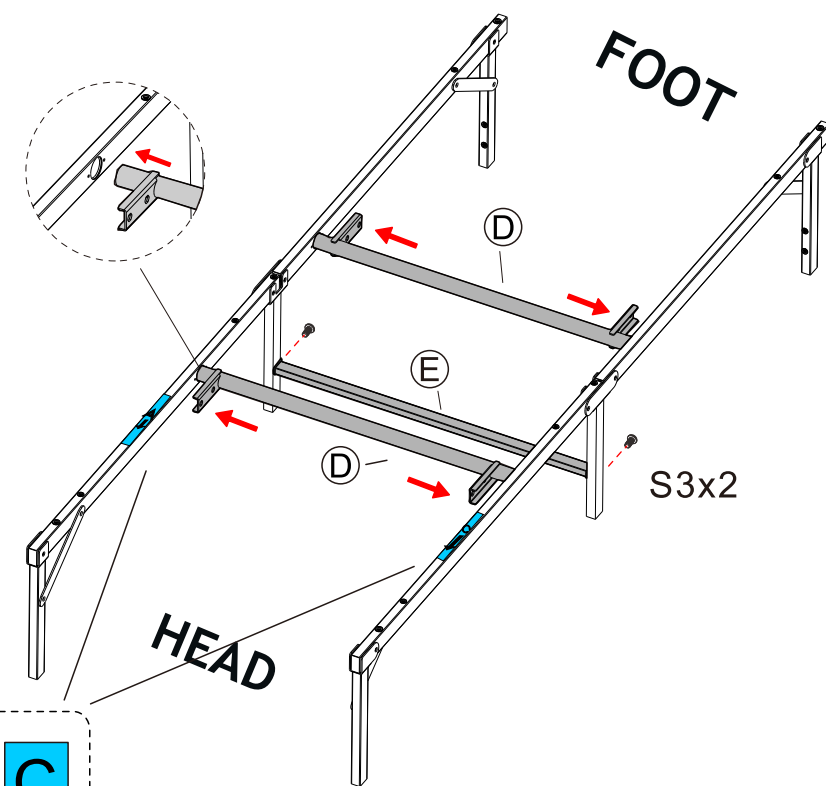
2



Ex1



Dx2



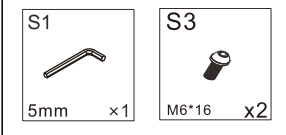
FOOT

D

E

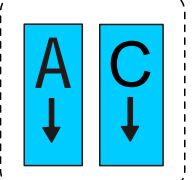
S3x2

HEAD

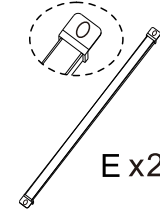


S1 5mm x1

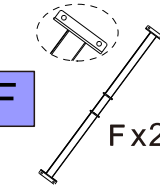
S3 M6*16 x2



3



Ex2

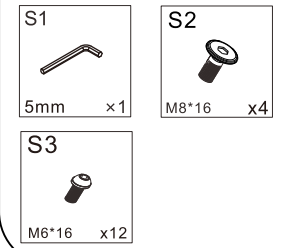


F

Fx2



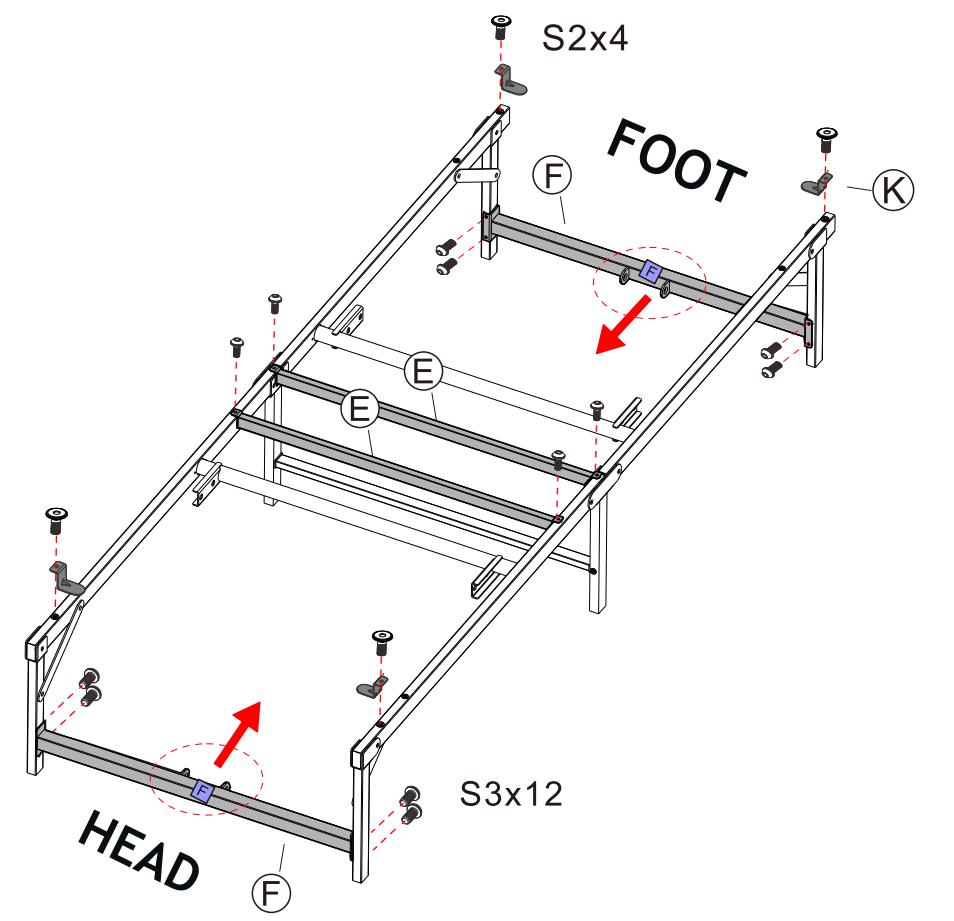
Kx4



S1 5mm x1

S2 M8*16 x4

S3 M6*16 x12



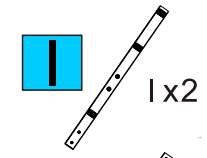
S2x4

FOOT

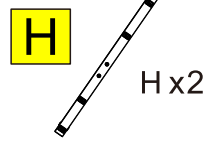
S3x12

HEAD

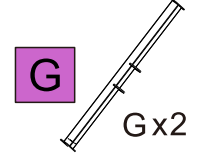
4



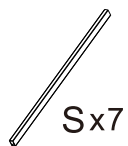
Ix2



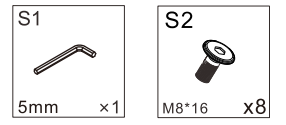
Hx2



Gx2

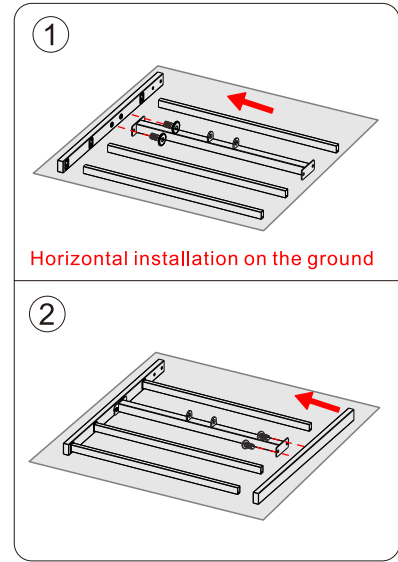


Sx7



S1 5mm x1

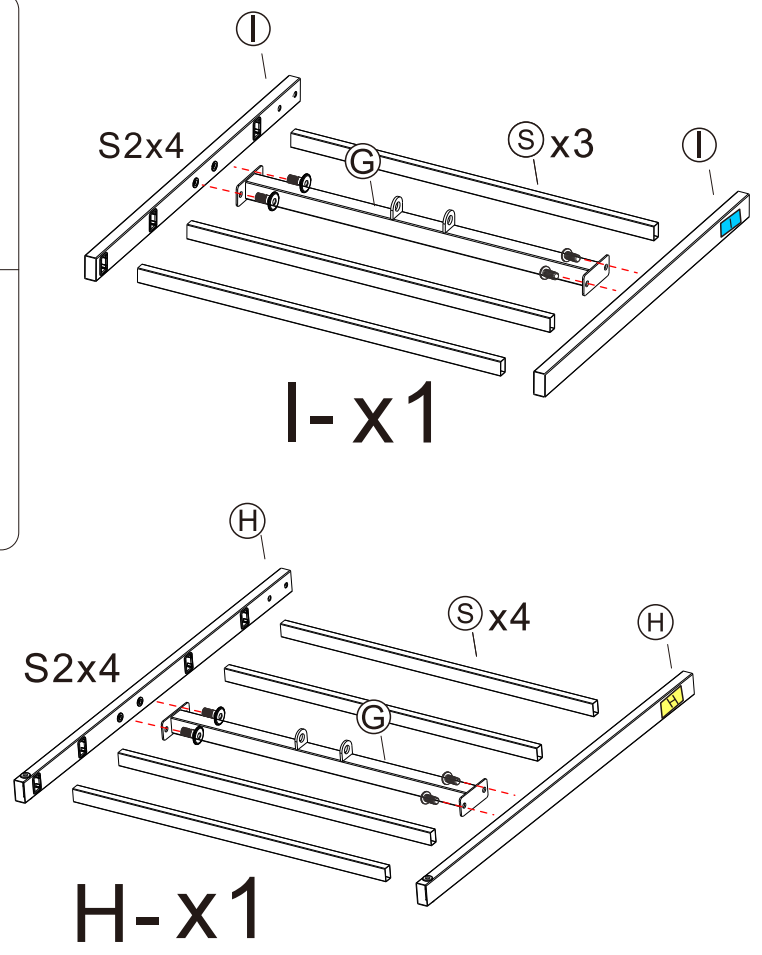
S2 M8*16 x8



1

2

Horizontal installation on the ground



I-x1

S2x4

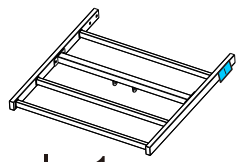
Sx3

S2x4

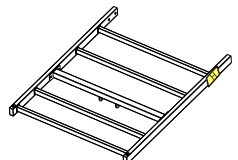
Sx4

H-x1

5



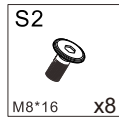
I-x1



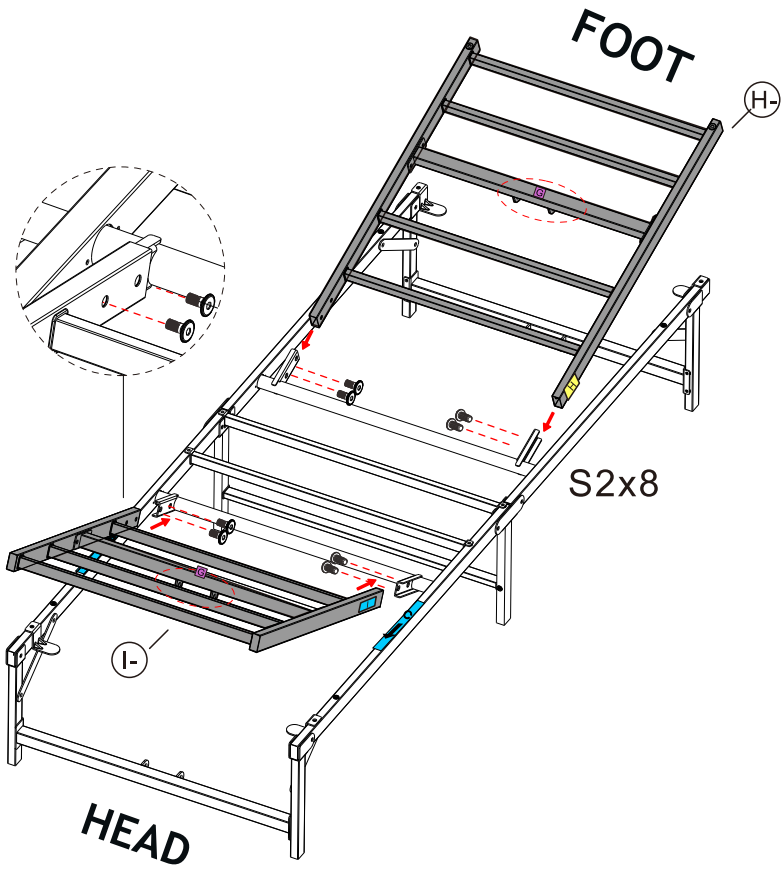
H-x1



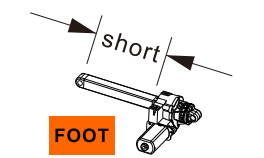
S1
5mm x1



S2
M8*16 x8



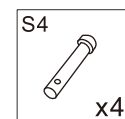
6



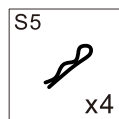
L-x1



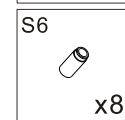
M-x1



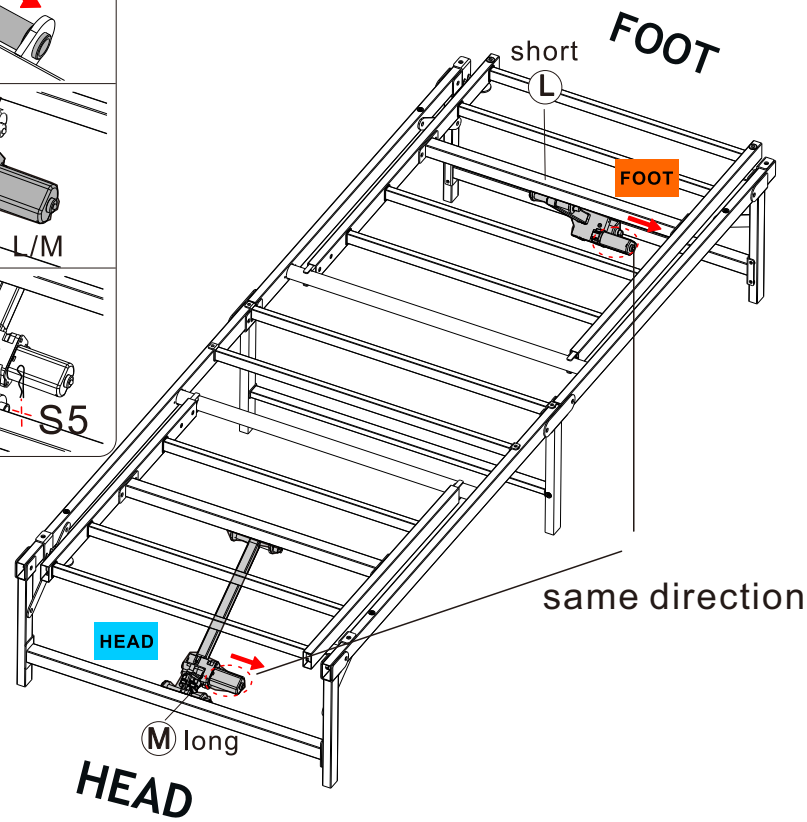
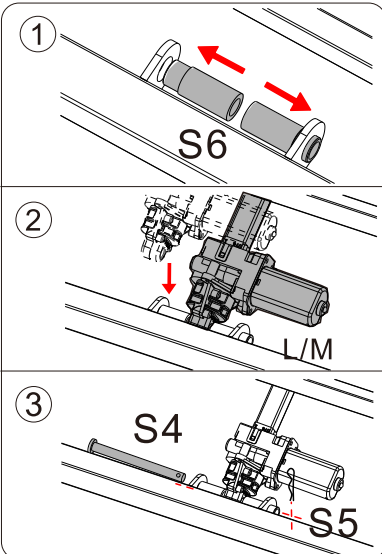
S4
x4



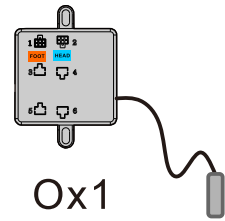
S5
x4



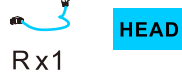
S6
x8



7



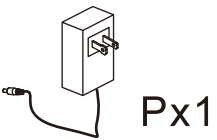
O-x1



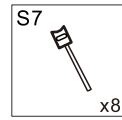
HEAD



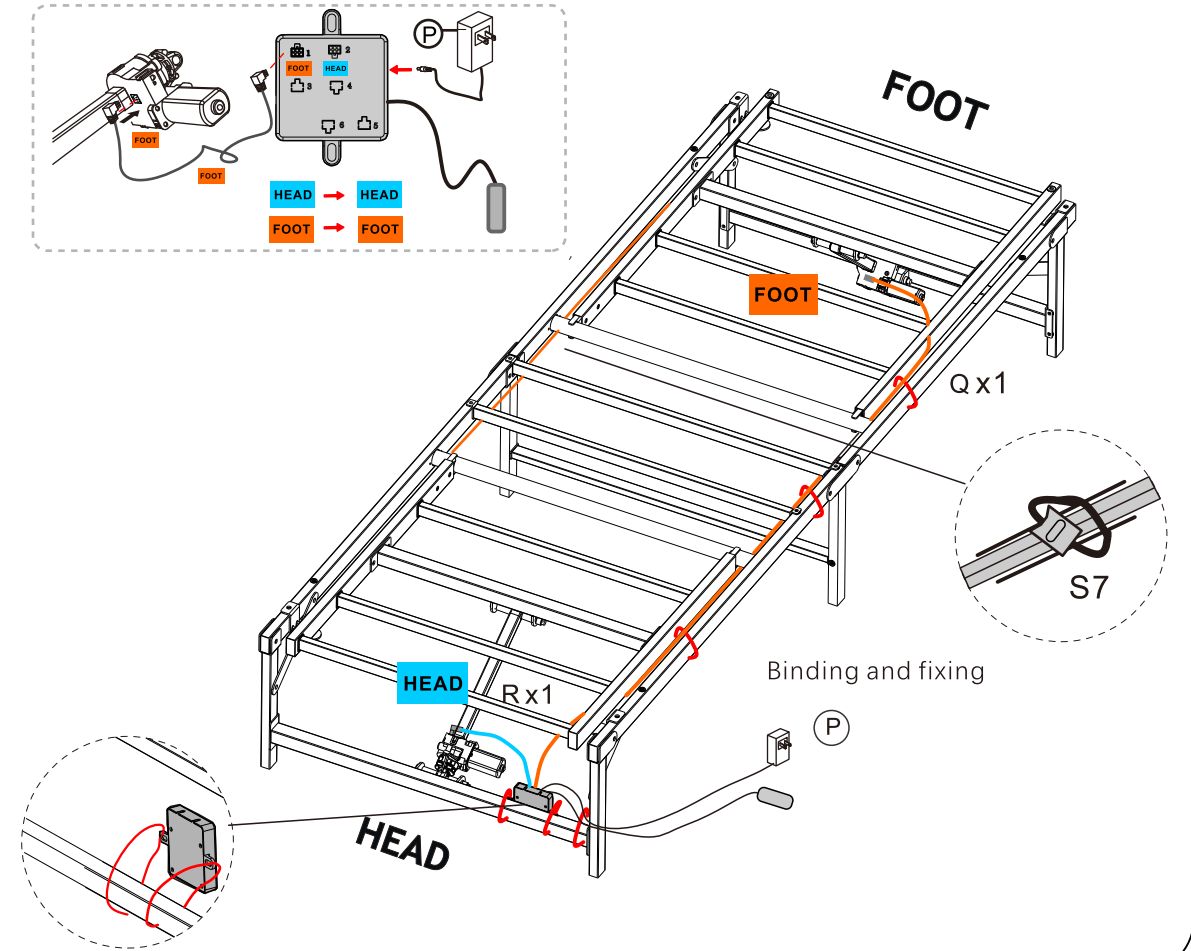
FOOT



P-x1



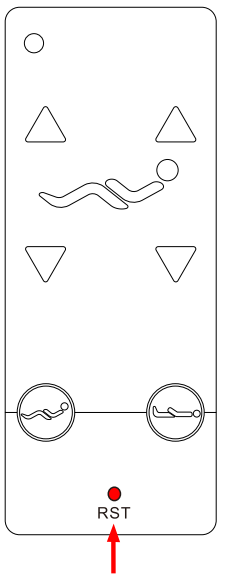
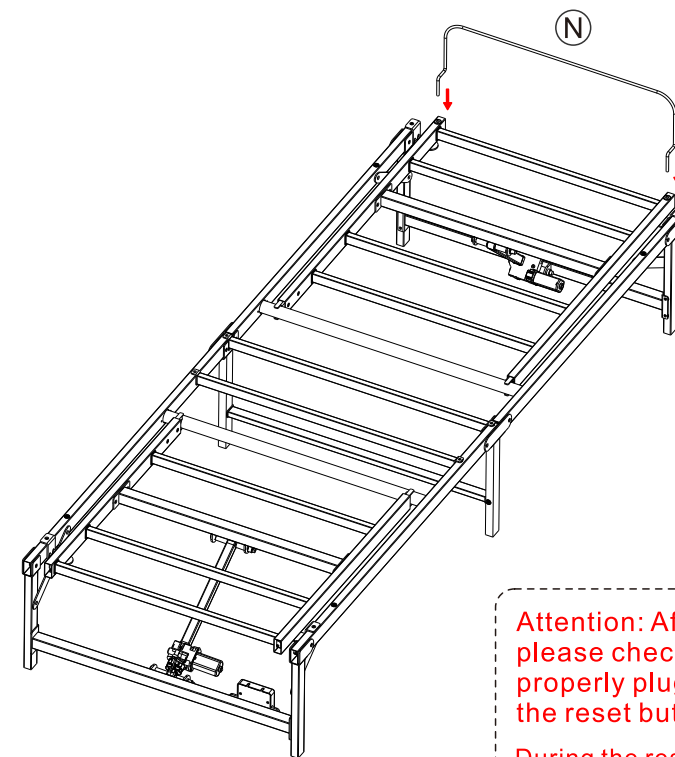
x8



8



N-x1



Attention: After installation is completed, please check if the connecting wires are properly plugged in, and then long press the reset button to start the electric bed

During the reset process, the electric bed will automatically run and wait for 1 minute until it stops running. Reset completed

--Installation completed