

ASSEMBLY INSTRUCTIONS



Fine Furniture for every stage of life

STORAGE OTTOMAN

ASSEMBLY INSTRUCTIONS

ASSEMBLY TIPS:

- 1.Remove Wood legs from ottoman and sort by size.
- 2.Please check to see that all parts are present prior to start of assembly.
- 3.Please follow attached instruction in the same sequence as numbered to assure fast & easy assembly.



WARNING!

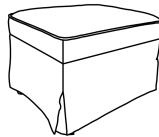
- 1.Don't attempt to repair or modify parts that are broken or defective. Please contact the store immediately.
- 2.This product is for home use only and not intended for commercial establishment.

ASSEMBLY TIME

3 MINUTES

PARTS IDENTIFICATION

A BASE



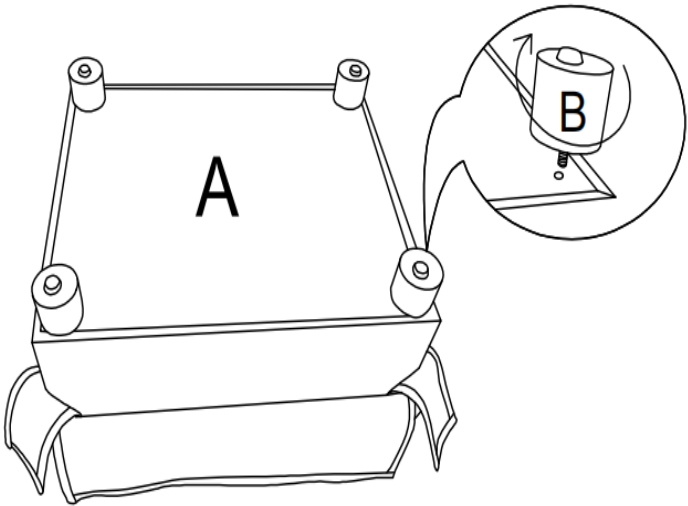
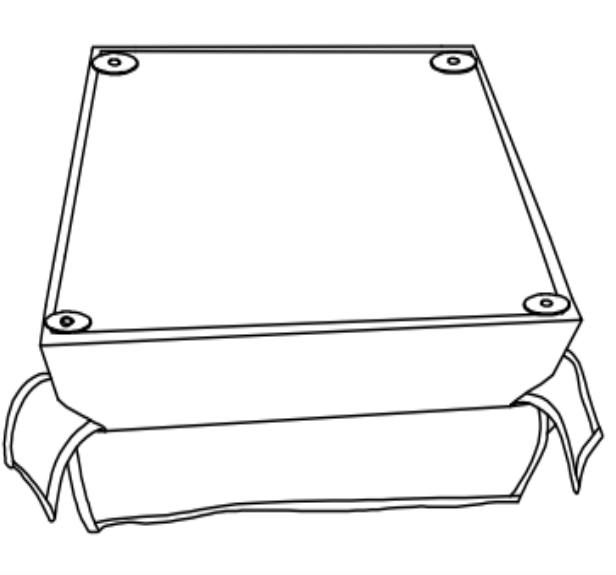
1PC

B WOOD LEG

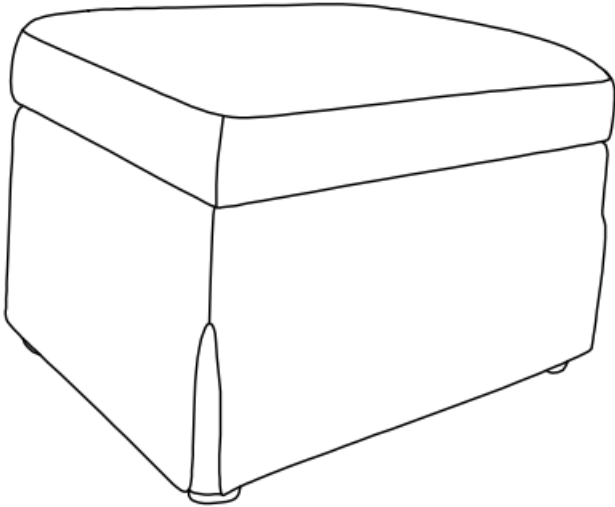


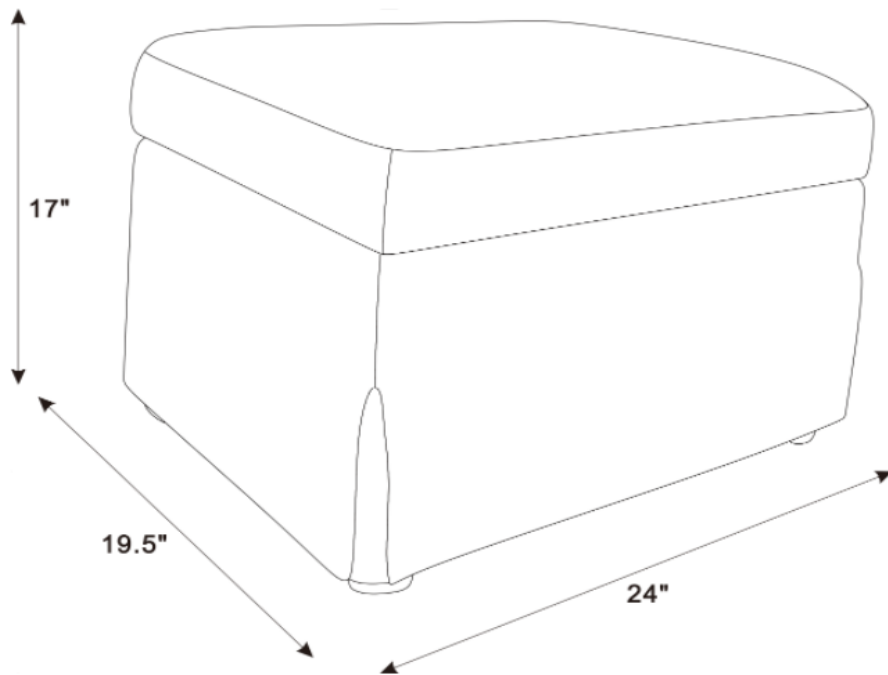
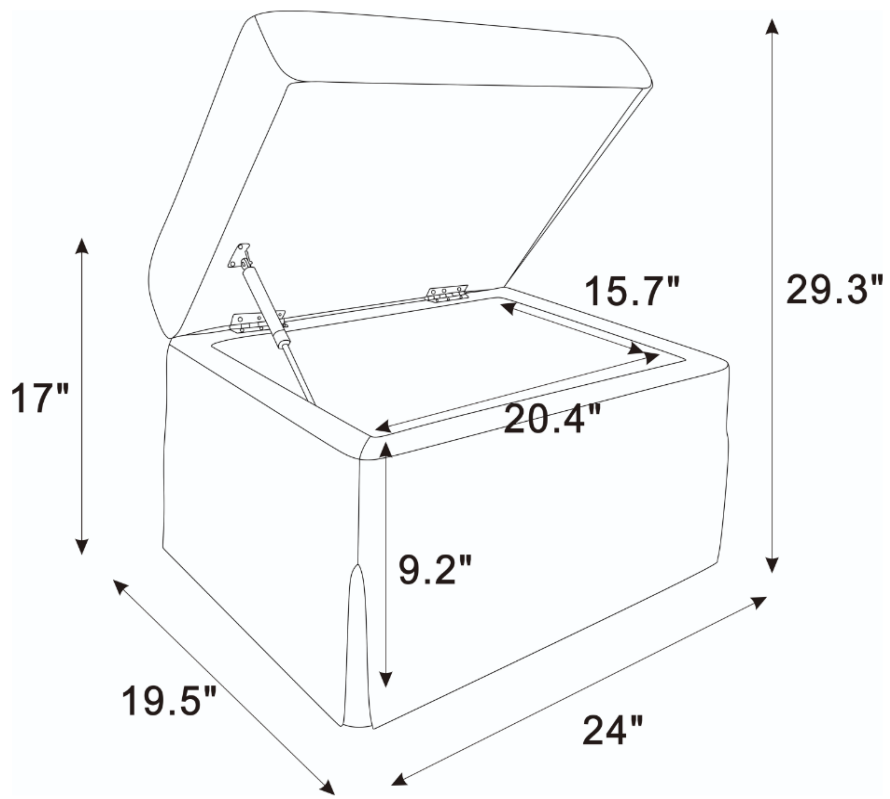
4PCS

STEP 1



STEP 2 COMPLETE





Note: Dimension tolerance $\pm 5\%$