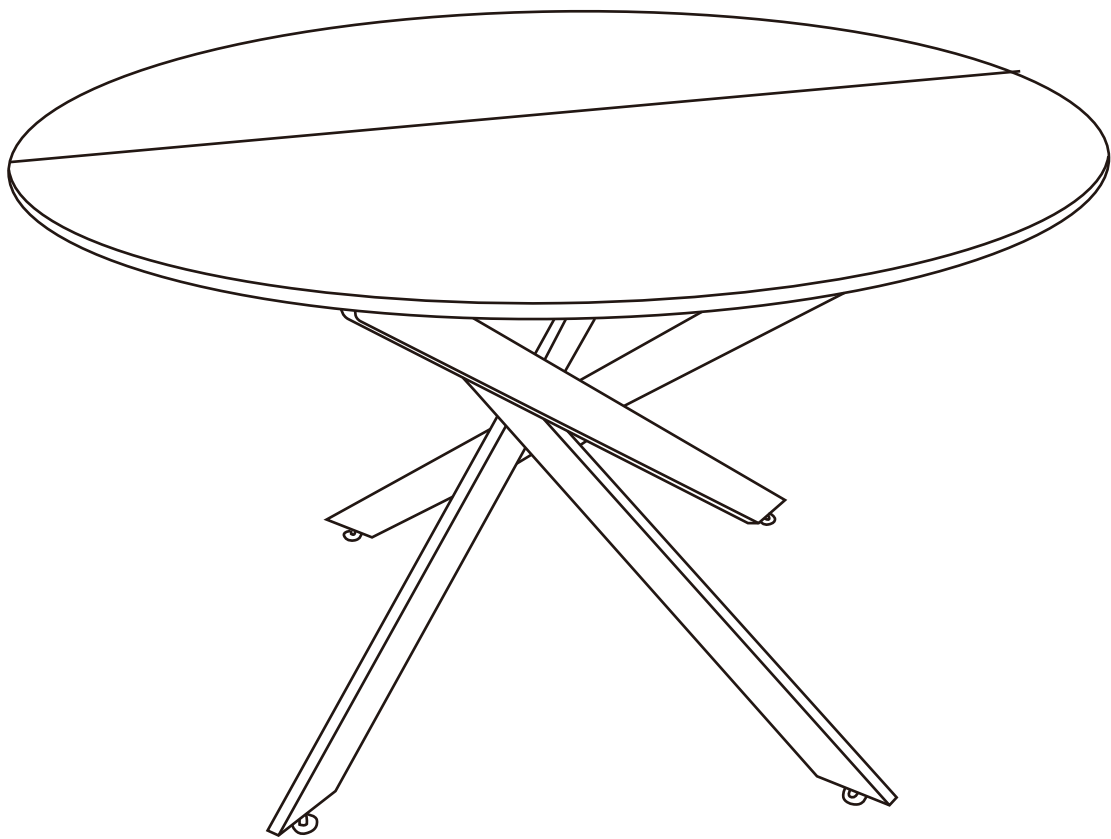


# INSTRUCTION MANUAL



## **Attention:**

If you encounter any problems during in-stallation or use, pls feel free to contact us on shopping platform.

We will provide you with a satisfactory solution with in 24 hours.



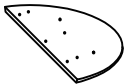










# Step. 1

## THIS SHOULD BE EASY JUST FOLLOW OUR INSTRUCTIONS!

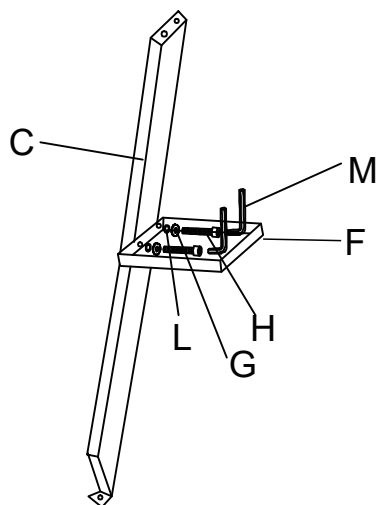
### Before the Installation

- ①Unpack all hardware bags and components to ensure you have all parts.
- ②Assemble on a clean non-marring surface (such as the product's packing foam)

#### What's included

A		x1	H		8x16mm	x8
B		x1	I		6x18mm	x4
C		x4	J		6x20mm	x12
D		x1	K		6x18mm	x4
E		x2	L		8x16mm	x8
F		x1	M			x1
G		x8				

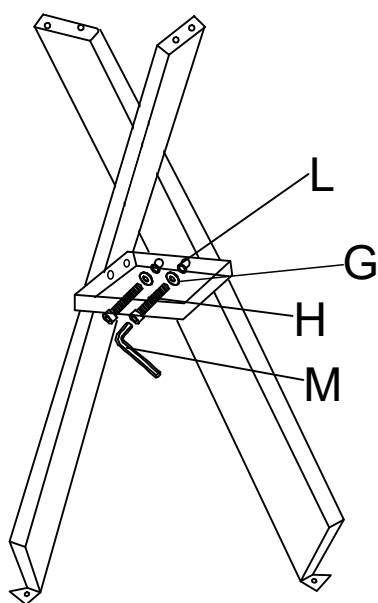
## Step 2



C	F	G
x1	x1	x2
H	L	M
8x16mm	8x16mm	
x2	x2	x1

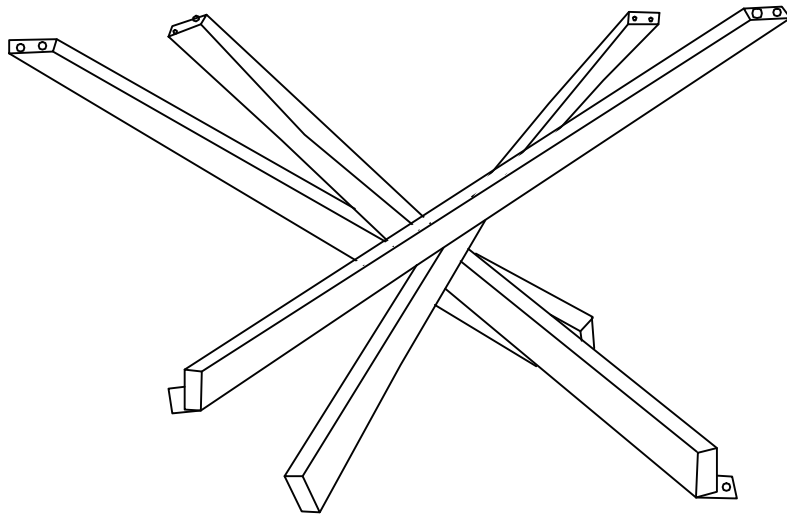
Please align the table plate and fit it tightly before tightening the screws.  
Be careful to differentiate between the sizes of different parts.

## Step 3



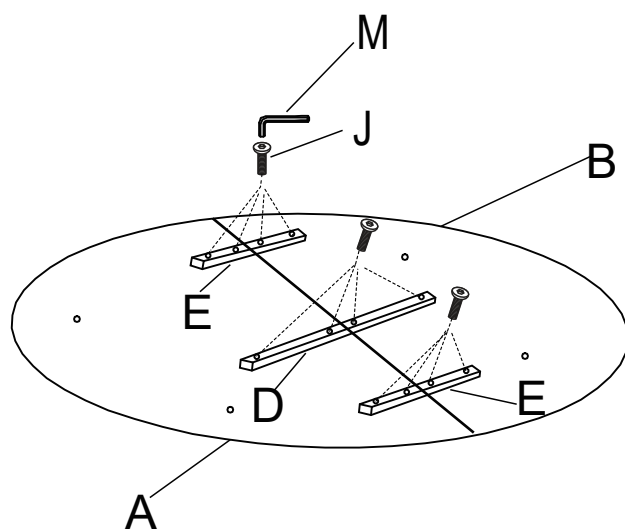
C	F	G
x1	x1	x2
H	L	M
8x16mm	8x16mm	
x2	x2	x1

# Step 4



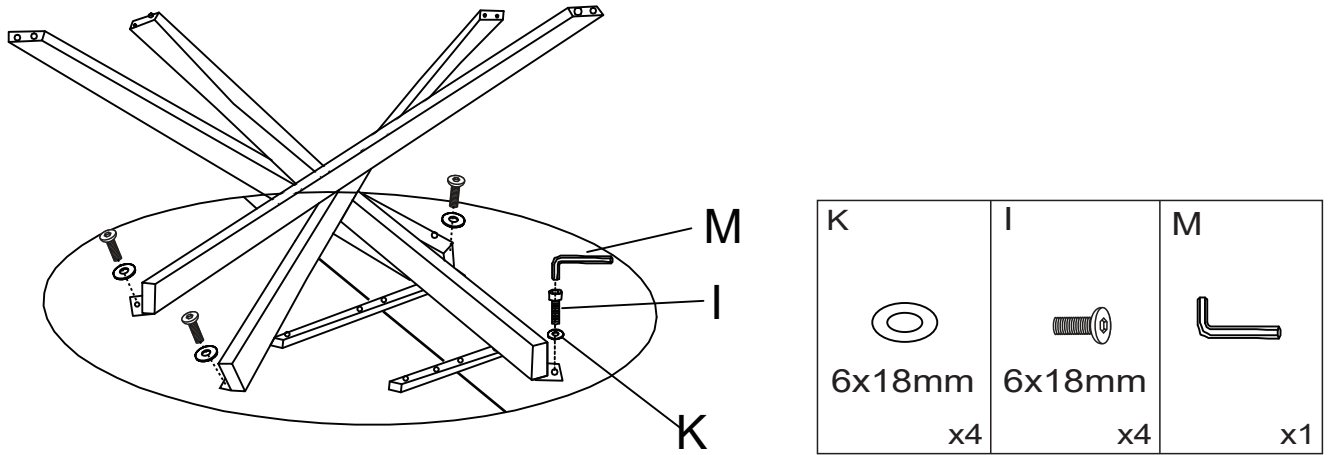
Be careful to differentiate between the sizes of different parts.

# Step 5

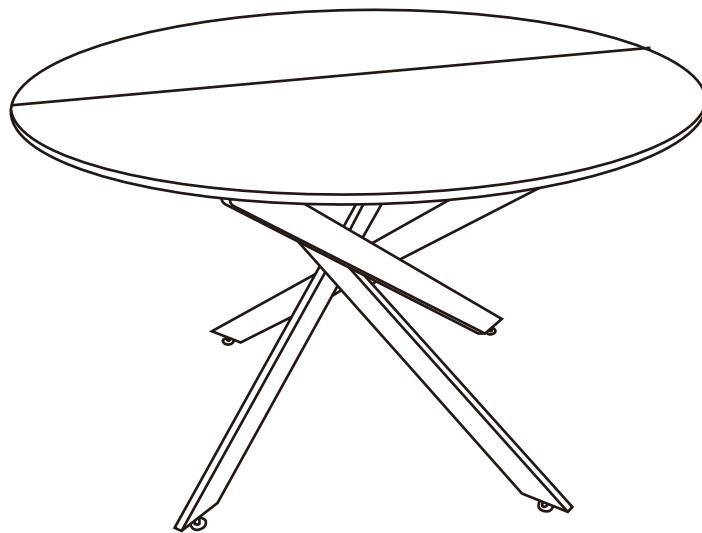


A  x1	B  x1	D  x1
E  x2	J  6x20mm x12	M  x1

## Step 6



## Step 7



## Care and Cleaning

1. To protect the finish, avoid use chemicals and household cleaners
2. All hot serving dishes should be placed on a pad.
3. Any liquid spilled onto the top should be cleaned up immediately with a damp cloth.