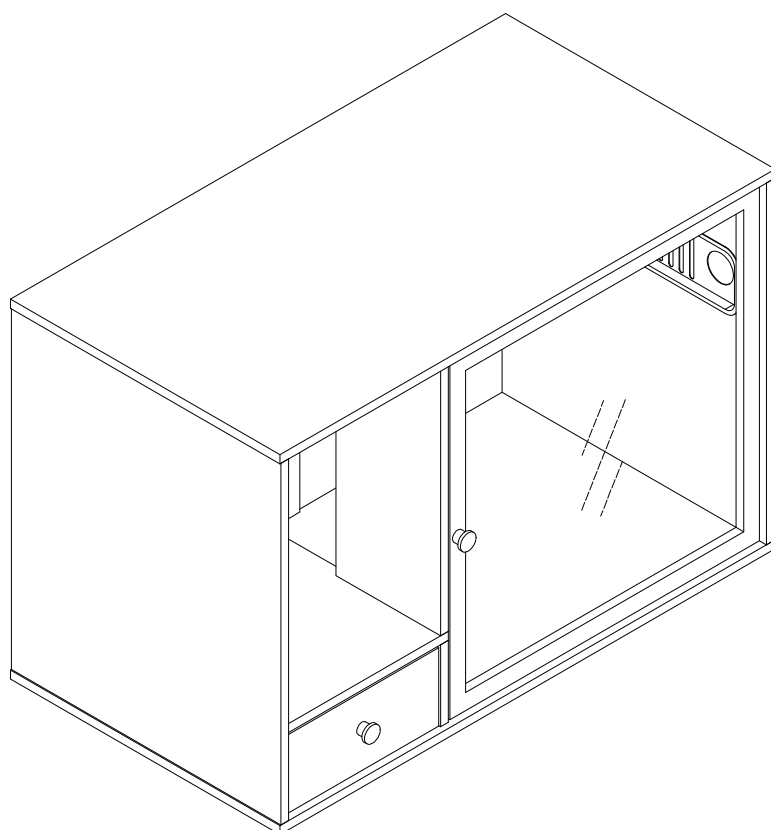
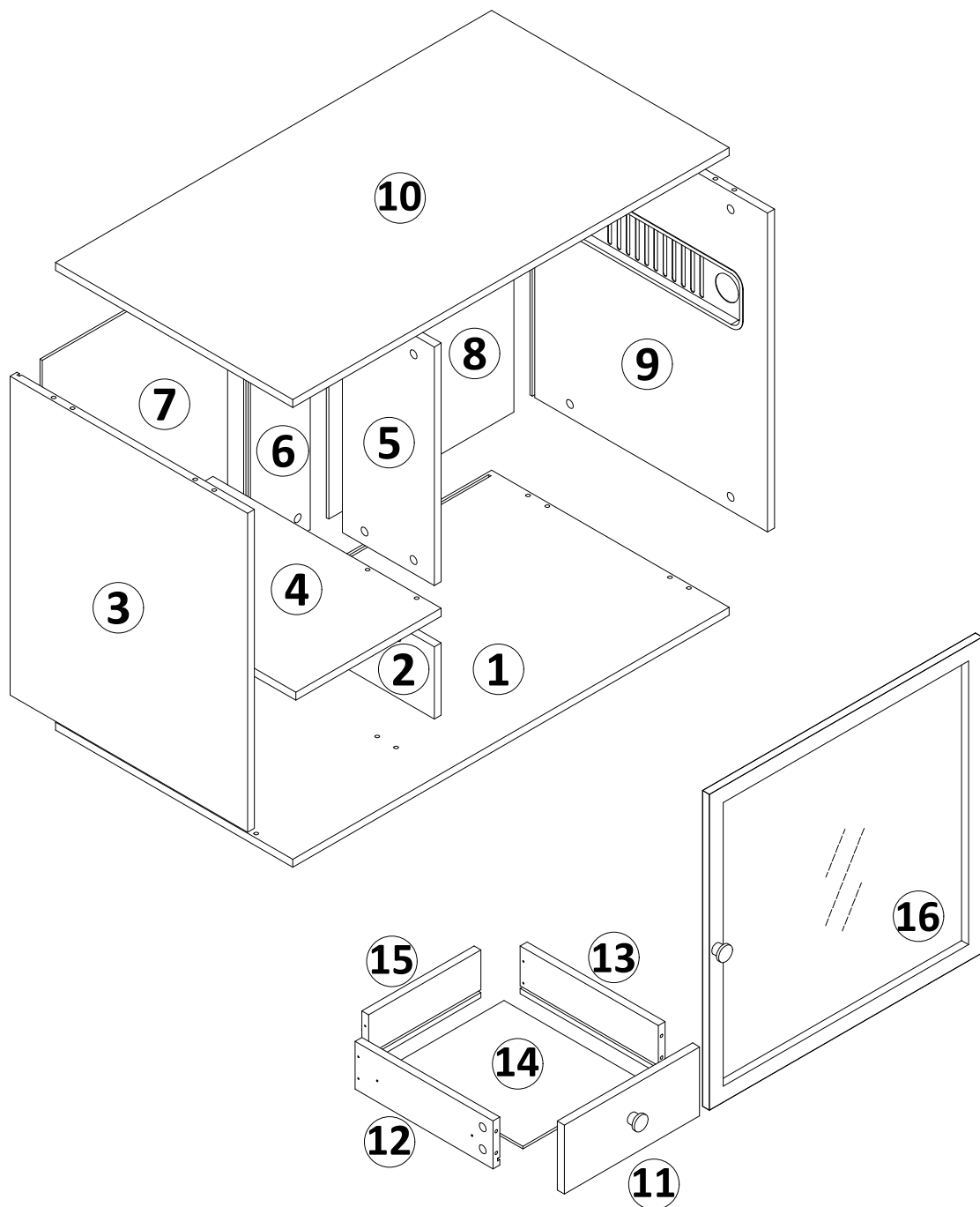


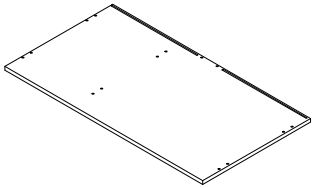
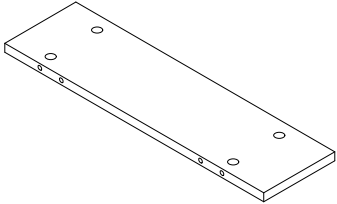
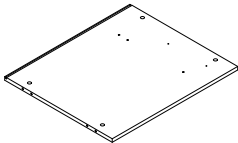
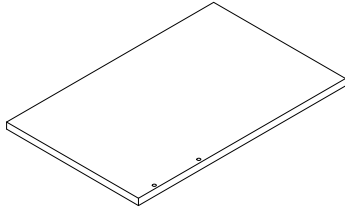
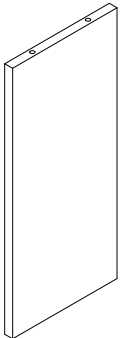
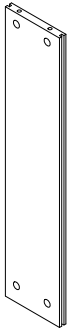
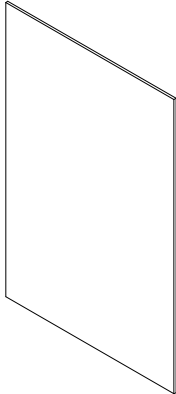
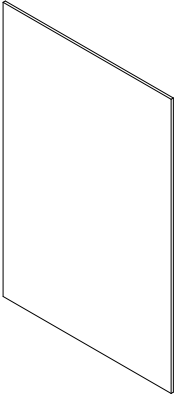
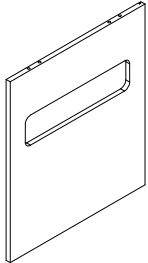
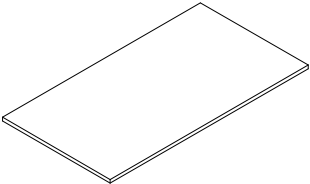
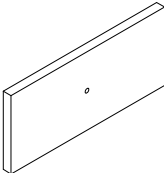
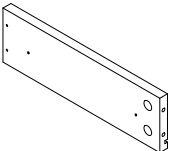
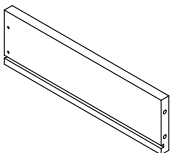
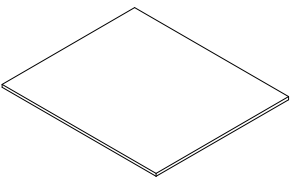
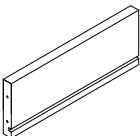
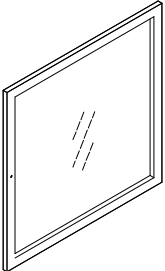
Installation & Assembly

Cat Cabinet

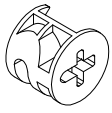
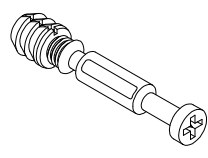
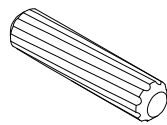

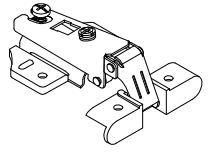
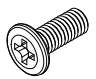

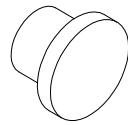
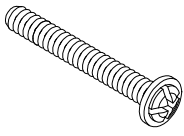
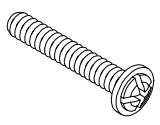
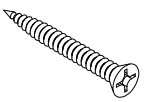

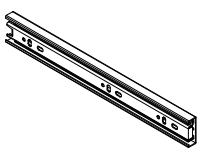
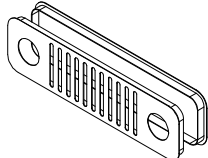
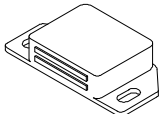
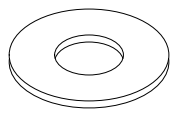
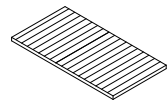
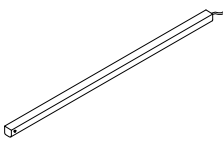


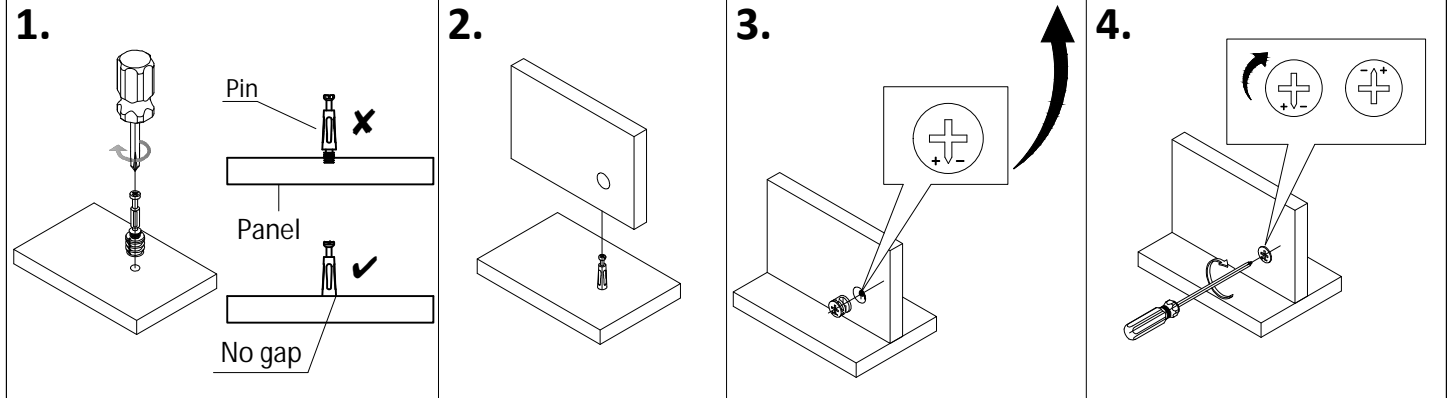
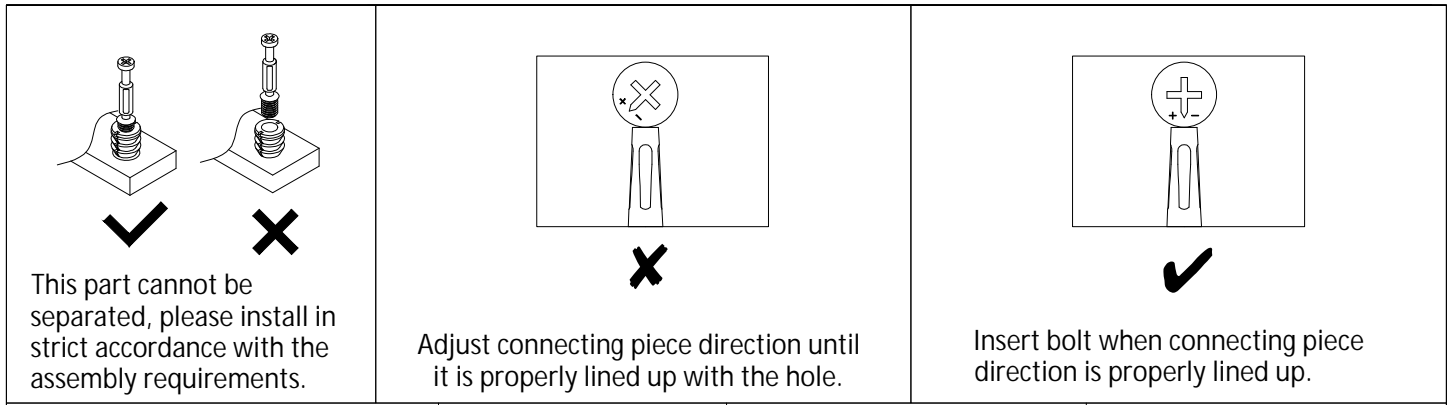


PARTS LIST

1 	2 	3 	4 
1PC	1PC	1PC	1PC
5 	6 	7 	8 
1PC	1PC	1PC	1PC
9 	10 	11 	12 
1PC	1PC	1PC	1PC
13 	14 	15 	16 
1PC	1PC	1PC	1PC

HARDWARE LIST

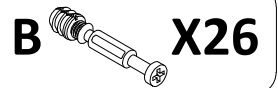
A		B		C		D		E	
									
$\varnothing 15*10\text{MM}$	26PCS	$\varnothing 6*35\text{MM}$	26PCS	$\varnothing 8*30\text{MM}$	14PCS	$\varnothing 20\text{MM}$	14PCS		2PCS
E1		E2		F		G		H	
									
$\varnothing 4*6\text{MM}$	4PCS	$\varnothing 3.5*16\text{MM}$	8PCS		2PCS	$\varnothing 4*25\text{MM}$	1PC	$\varnothing 4*20\text{MM}$	1PCS
I		J		K		L		M	
									
$\varnothing 3.5*35\text{MM}$	4PCS	$\varnothing 3.5*14\text{MM}$	12PCS	10"	2PCS		1PCS		2PCS
O		P		Q					
									
	4PCS		1PC		1PC				



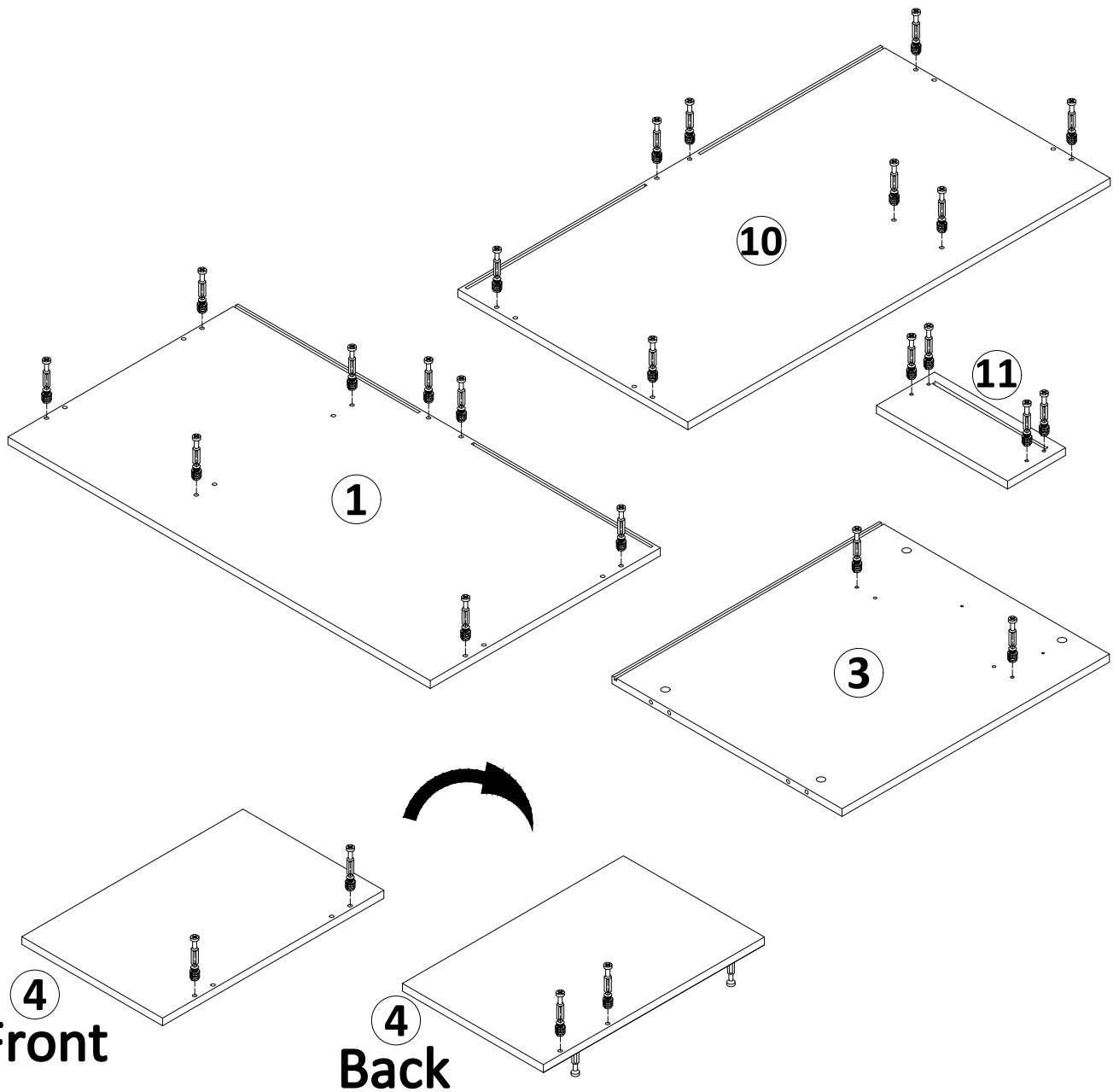
·The number in the upper left corner indicates the panel code, and the number in the lower middle indicates the quantity.

·If you encounter any missing or damaged panels, please contact us immediately. We will prioritize resolving your issue promptly.

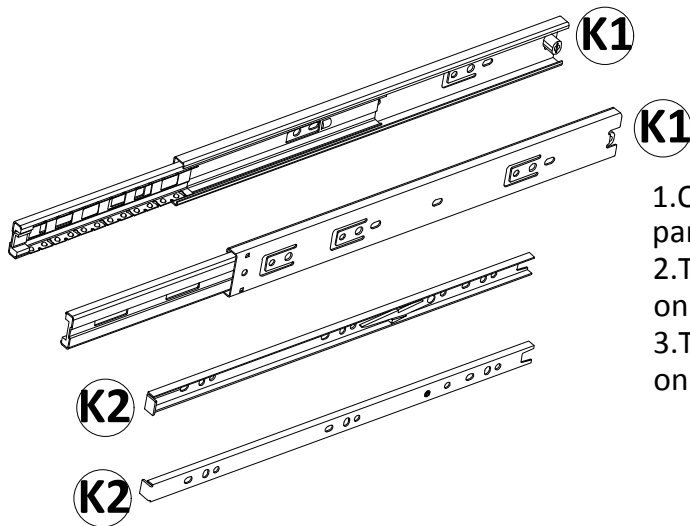
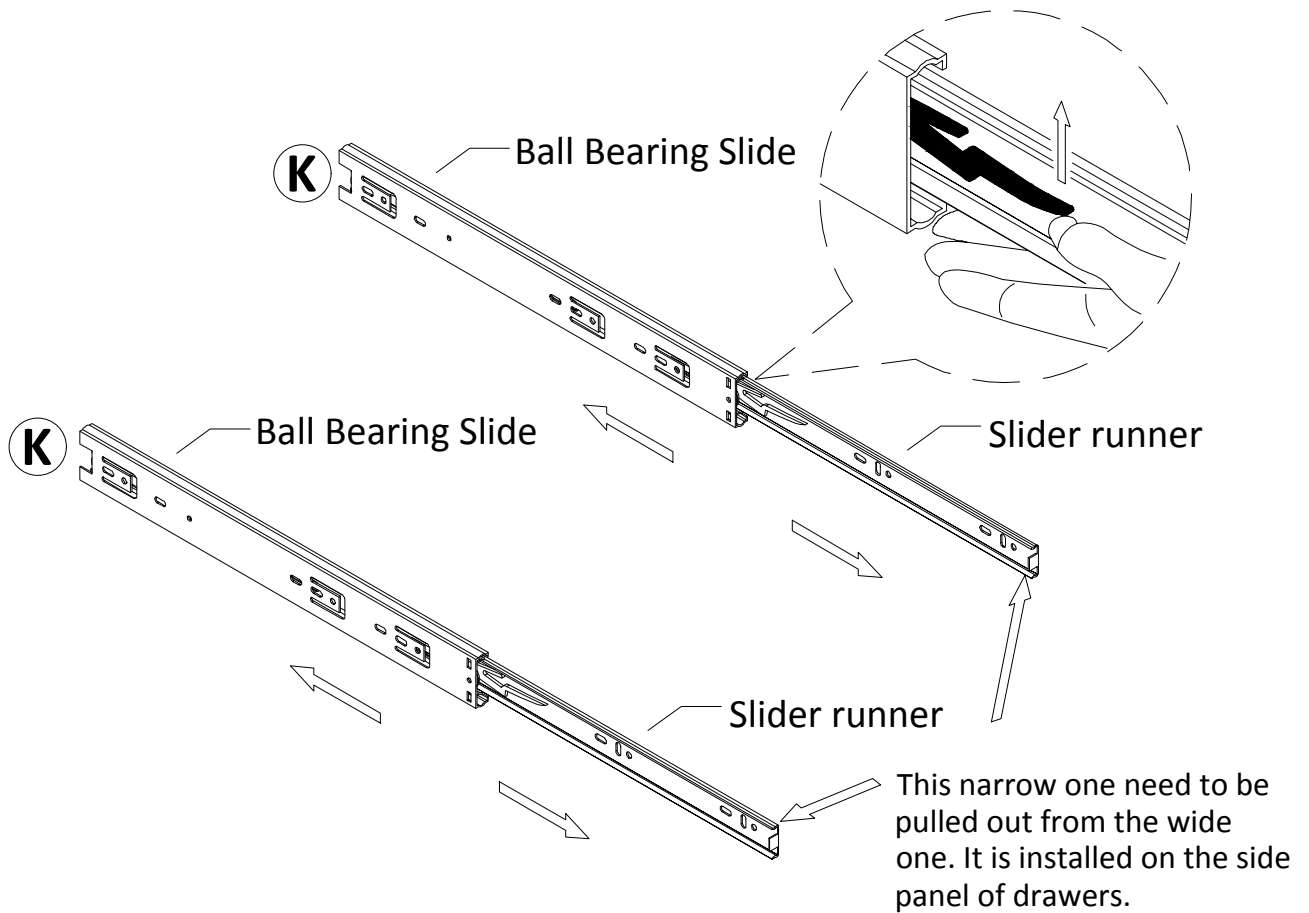
Step 1



As shown in the diagram, screw #B (connector bolt) into the corresponding holes of the Panels 1/3/4 (front and back) /10/11.



Step 2



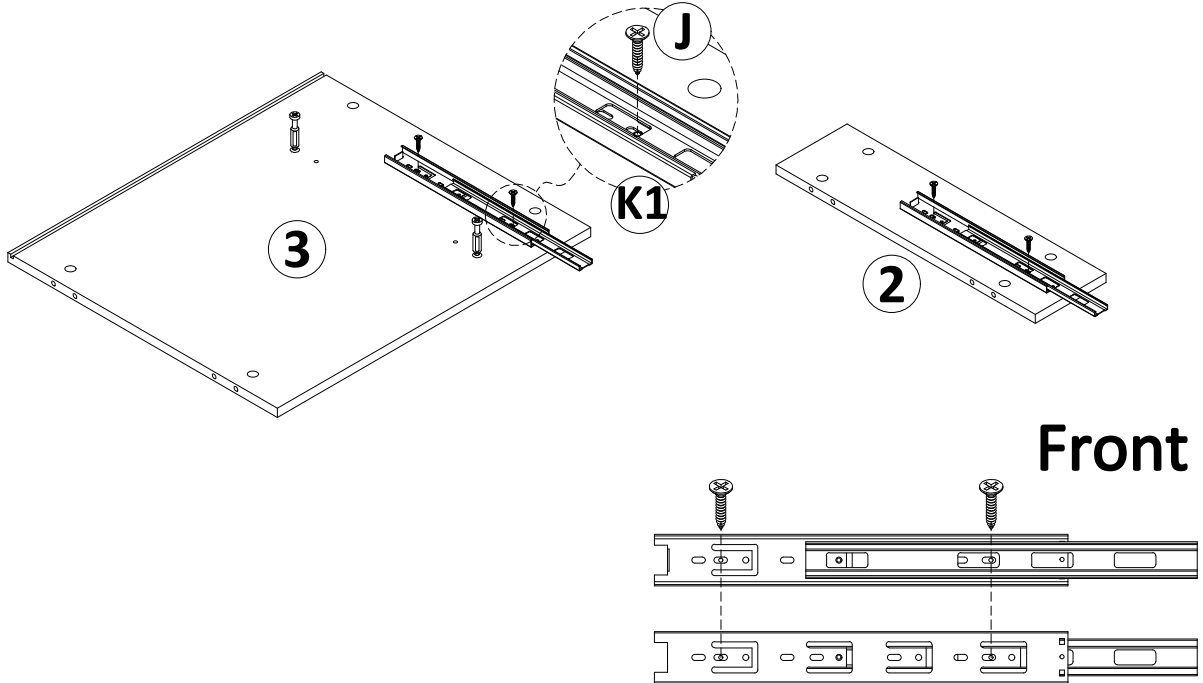
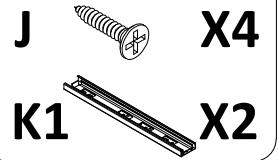
1. One set of guide rail should be four parts.
2. Two wide guide rails are installed on the side panel of the cabinet.
3. Two narrow guide rails are installed on the side panel of drawers.

Attention:

Take care when installing the slide rails as they have been pre-lubricated

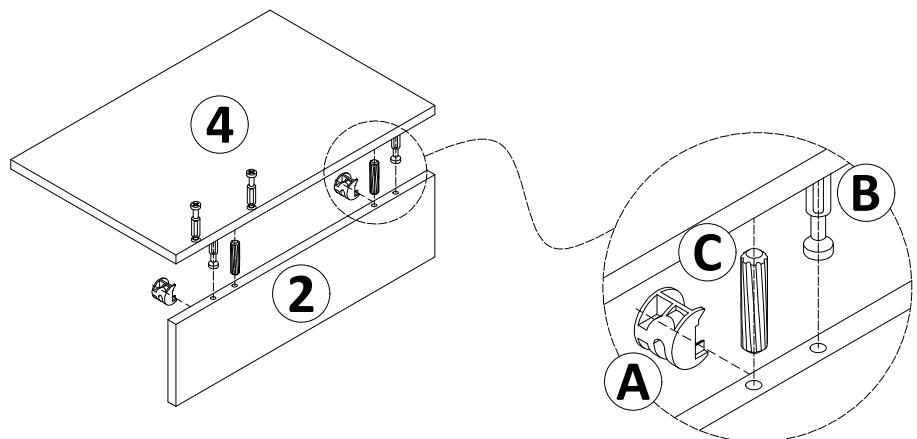
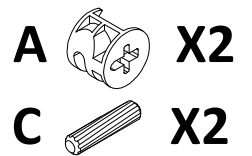
Step 3

Secure the K1 (outer rail) to the pre-drilled holes on Panel 2 and Panel 3 using #J (screws).



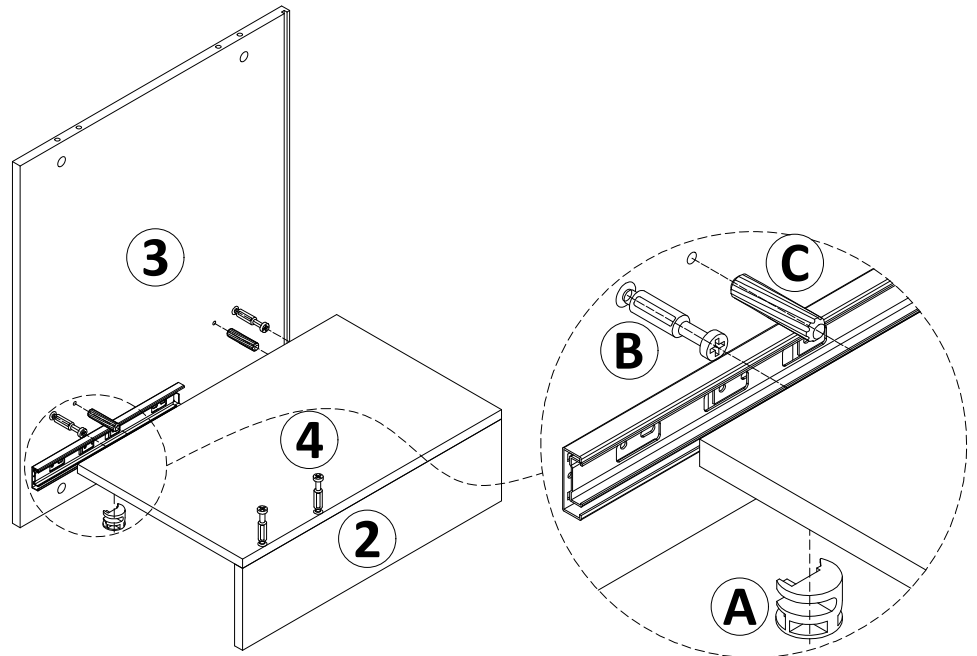
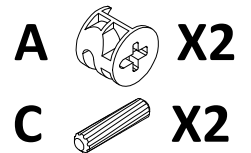
Step 4

Insert #C (wood dowel pins) into the side holes of Panel 2. Then, insert Panel 4 into Panel 2, and tighten #A (eccentric cam lock) to secure.



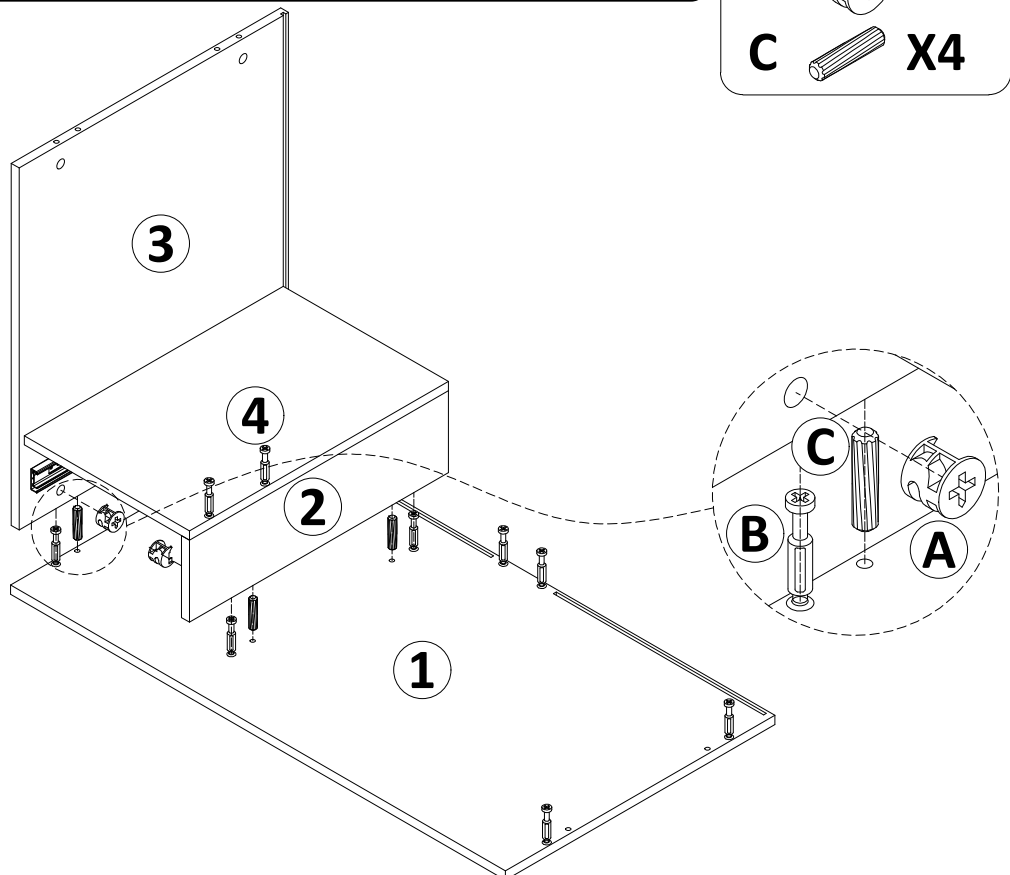
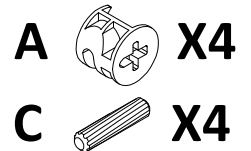
Step 5

Insert #C (wood dowel pins) into the holes of Panel 3. Insert Panels 2 and 4 into Panel 3, and tighten #A (eccentric cam lock) to secure.




Step 6

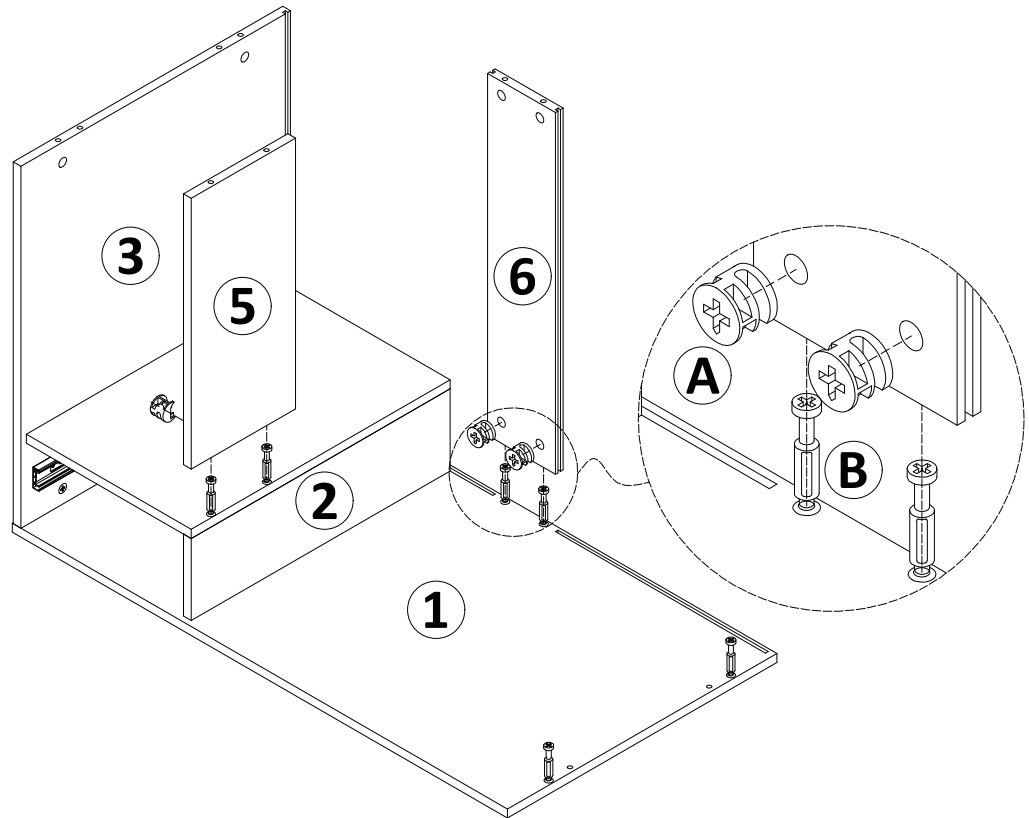
Insert #C (wood dowel pins) into the holes of Panel 1. Insert the pre-assembled structure into the Panel 1 and then screw in #A (eccentric cam lock) and tighten.



Step 7



Insert Panel 5 into Panel 4, insert Panel 6 into Panel 1, then screw in #A (eccentric cam lock) and tighten.

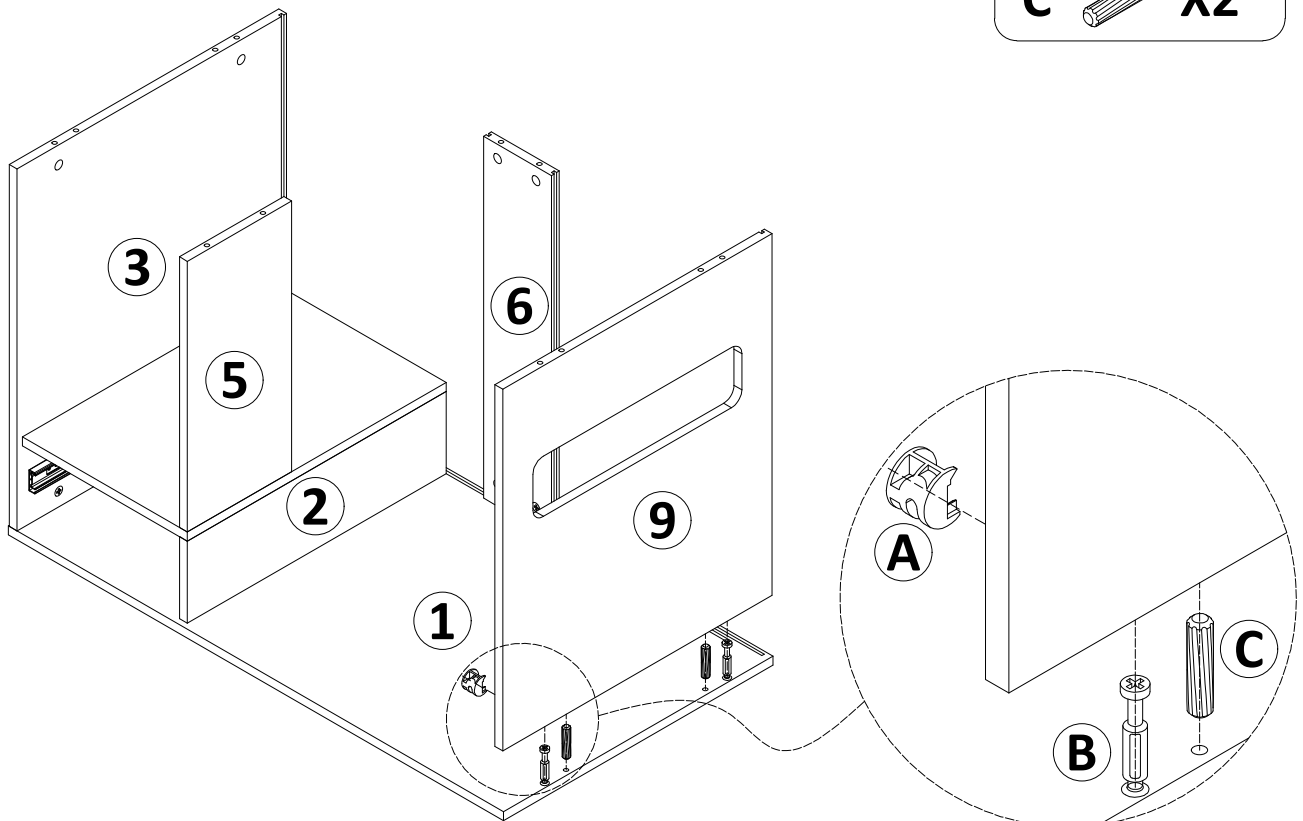
A  **X4**



Step 8

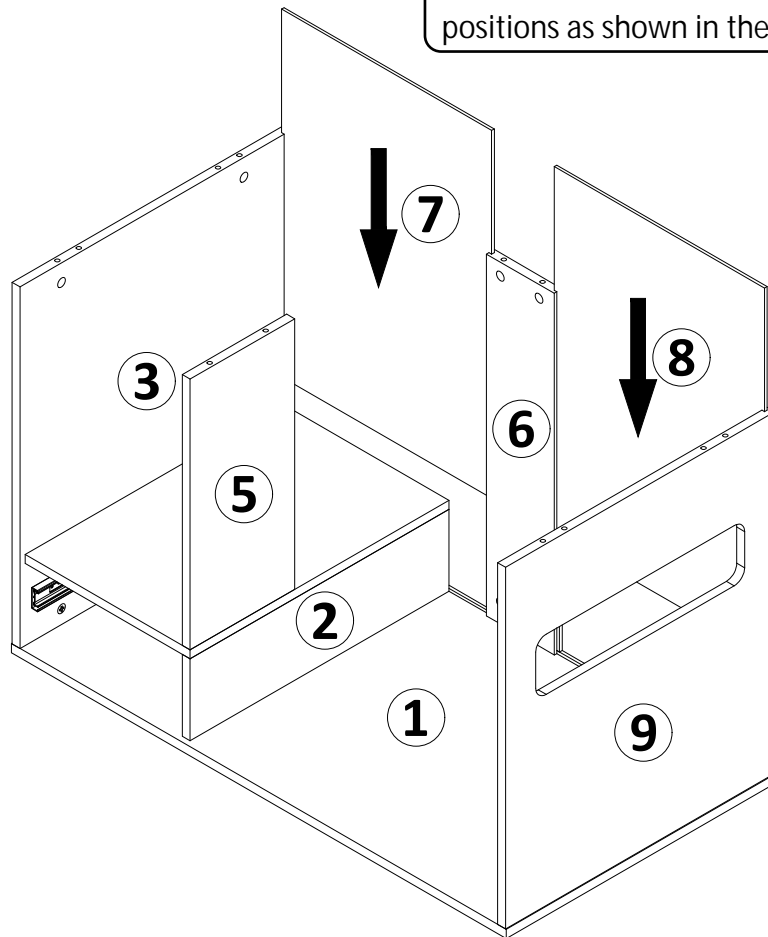
Insert #C into Panel 1, then snap Panel 9 into Panel 1, screw in #A and tighten. Note that the slot orientation of Panel 9 should be the same as that of Panel 1.

A  **X2**
C  **X2**





Step 9

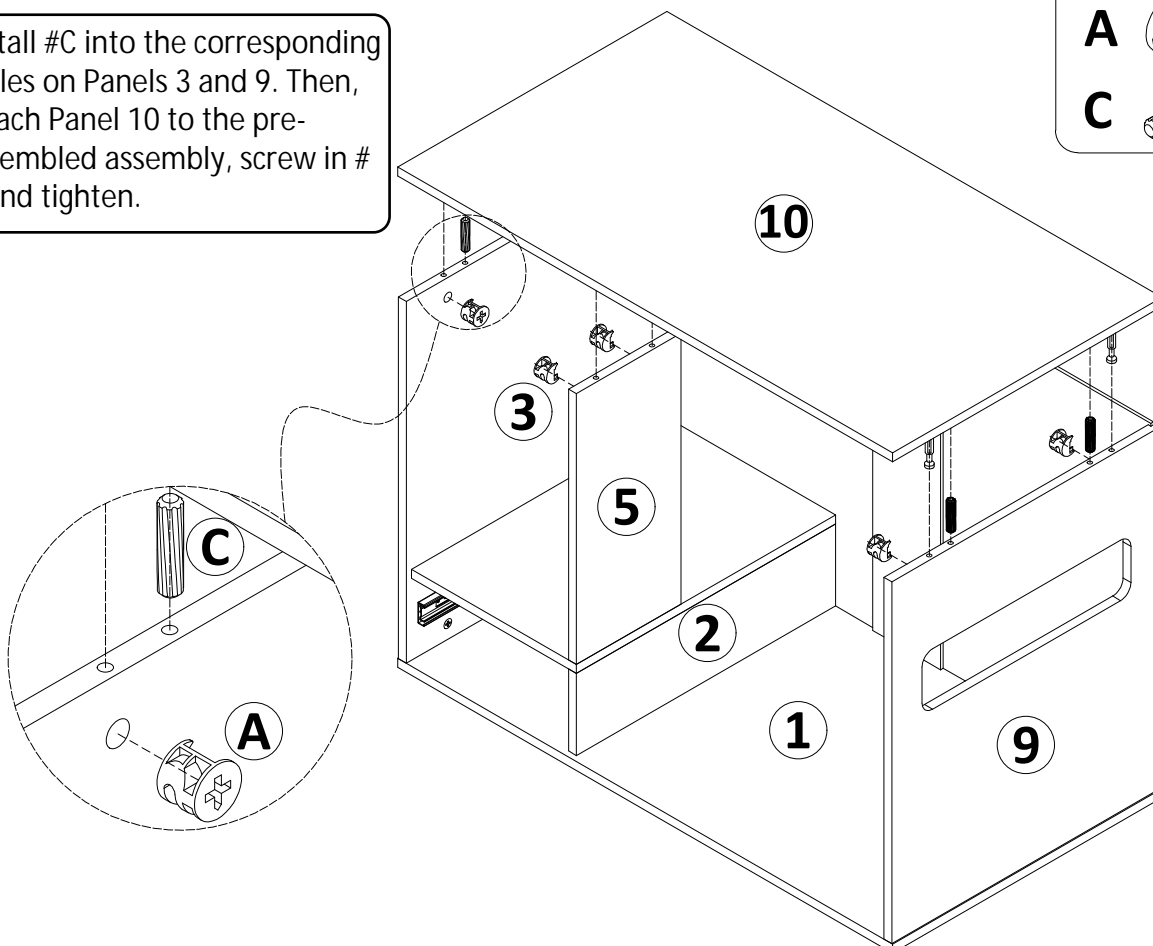
Attach Panel 7 and Panel 8 to their corresponding positions as shown in the illustration.



Step 10

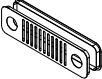
Install #C into the corresponding holes on Panels 3 and 9. Then, attach Panel 10 to the pre-assembled assembly, screw in #A and tighten.

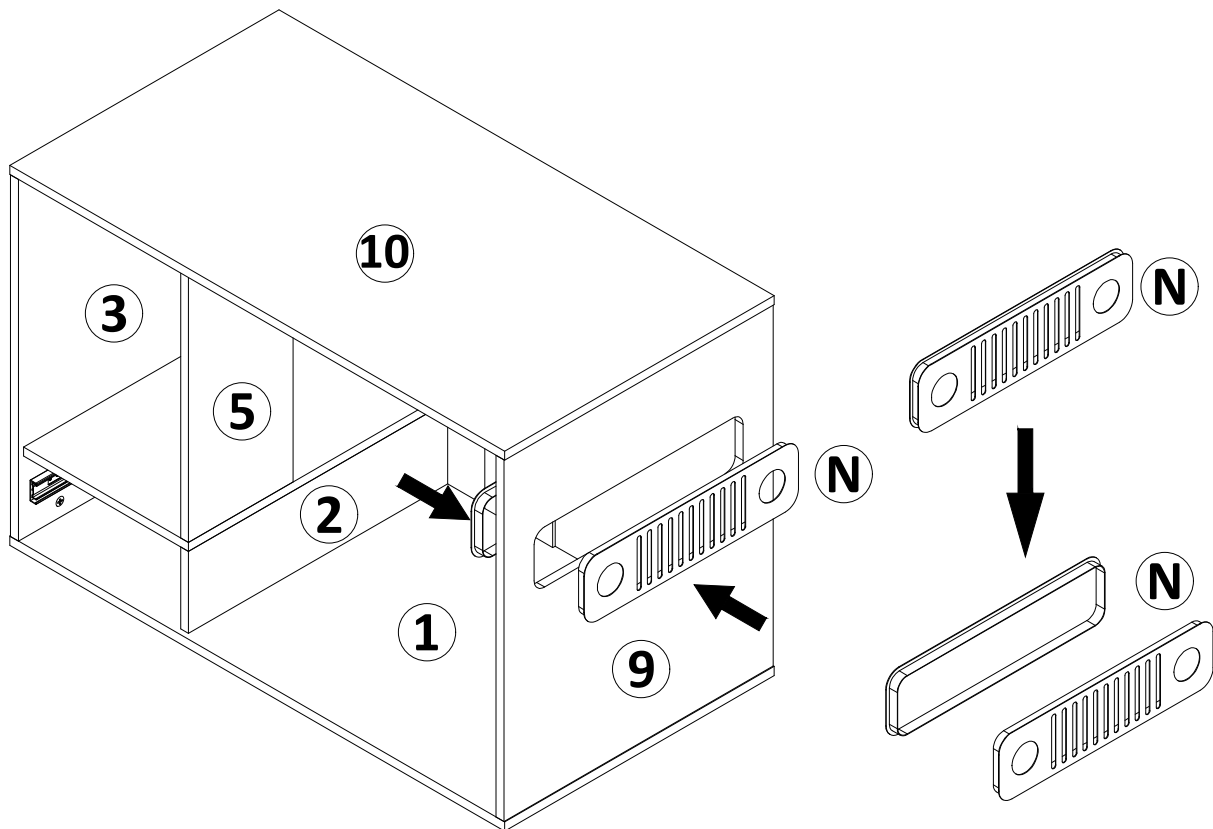
A  **X8**
C  **X4**



Step 11



Separate the #N (vent cover) into two halves for installation. Align and secure each half over the holes on Panel 9.

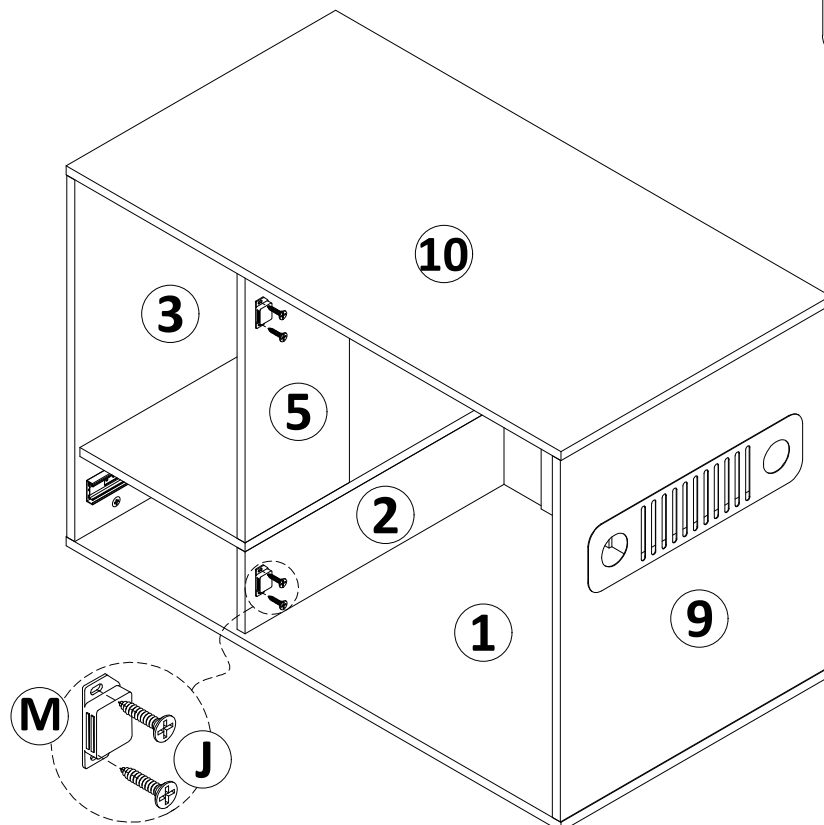
N  **X1**



Step 12

As shown in the figure, use #J (screws) to install the two #M (magnetic latches) into the corresponding positions on the cabinet.

J  **X4**
M  **X2**

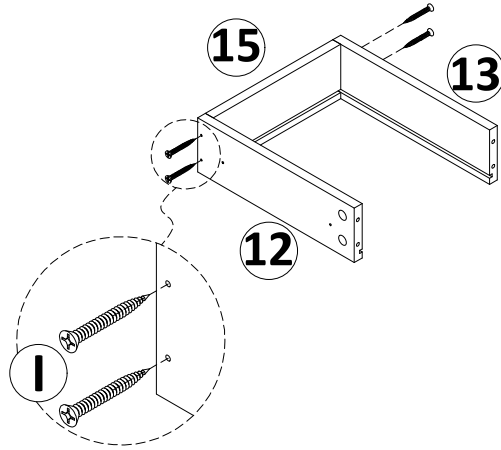


Step 13

Drawer Assembly:

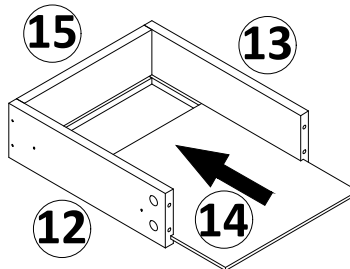
Using #1 (screws) secure Panel 12 and Panel 13 to both sides of Panel 15, ensuring the grooves are aligned in the same direction.

I  X4



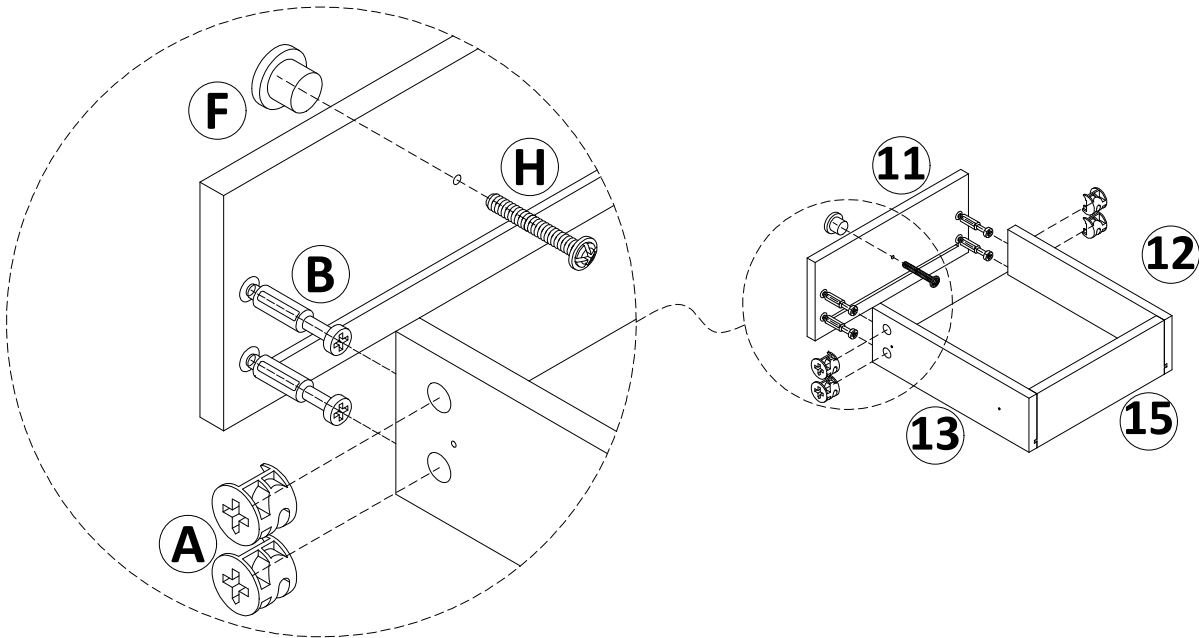
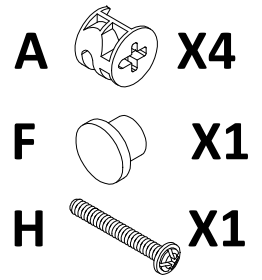
Step 14

Snap Panel 14 into the groove.



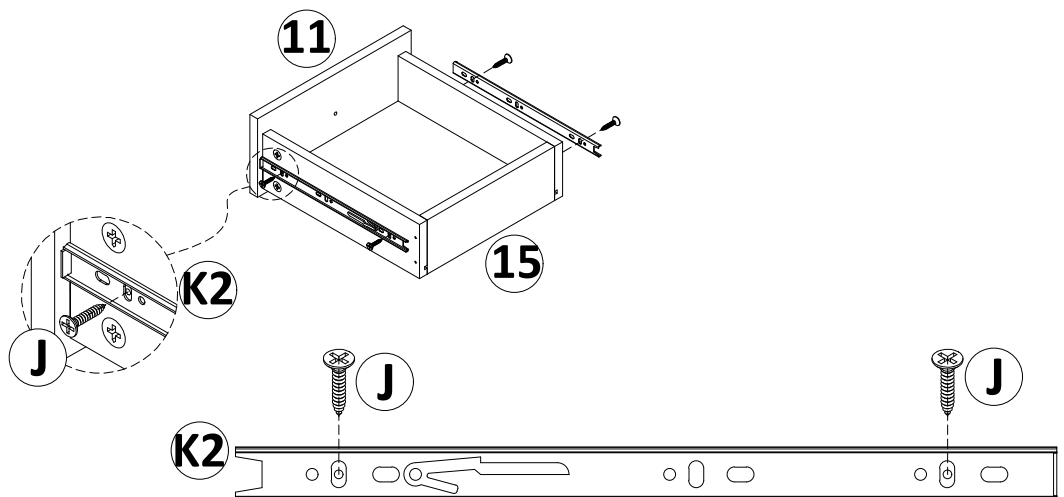
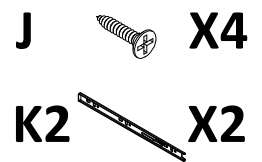
Step 15

Use the #H (screws) to install the #F (door handle) onto the Panel 11 and secure it by screwing #A (eccentric cam lock) into the side mounting holes.



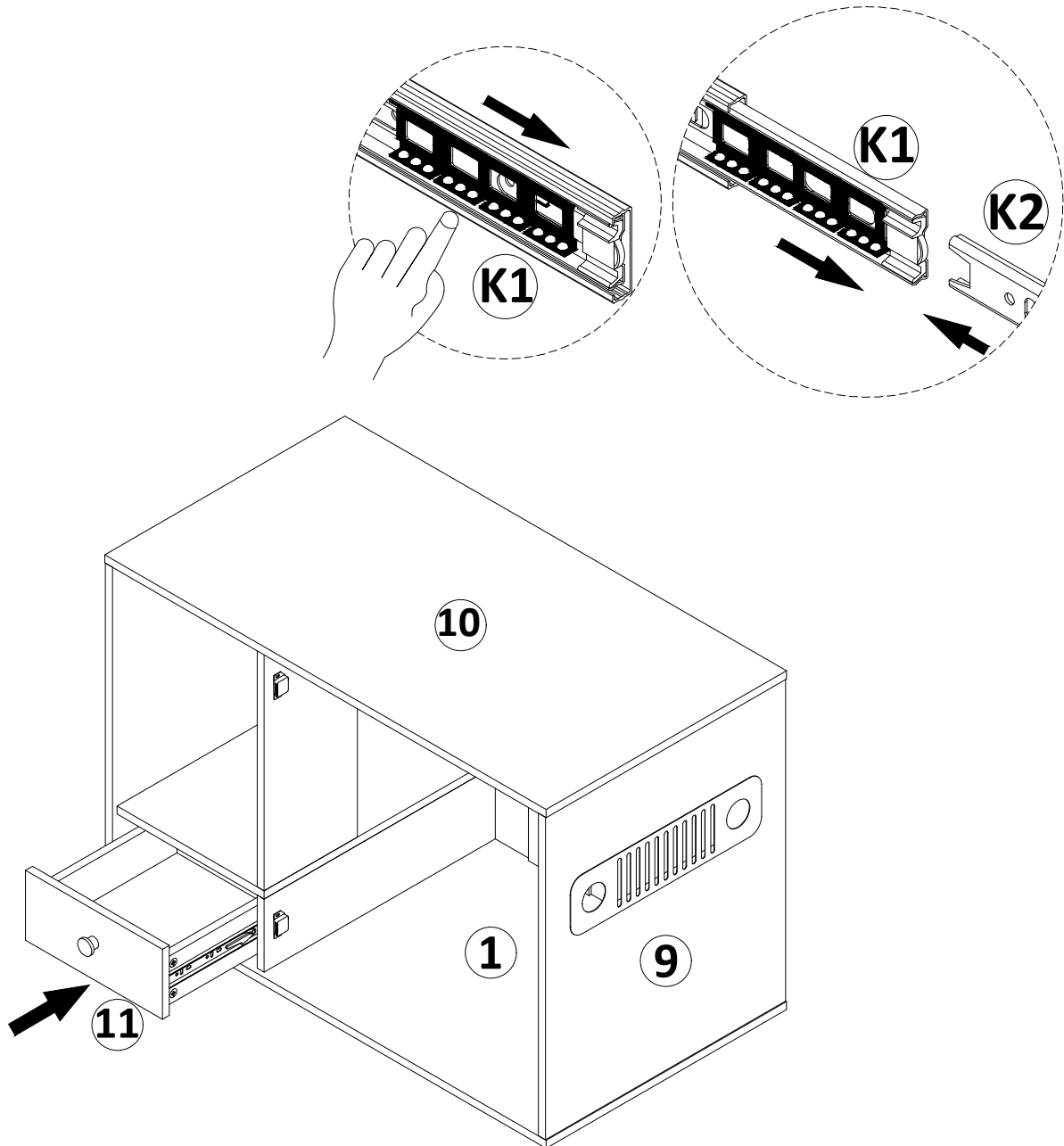
Step 16

Attach the K2 (inner rails) to both sides of the drawer using the #J (screws).



Step 17

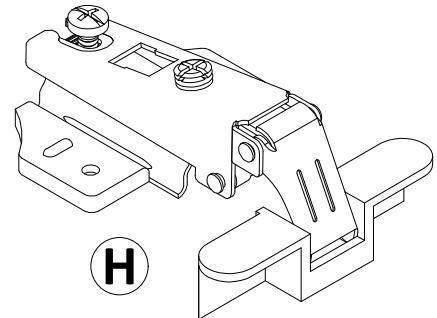
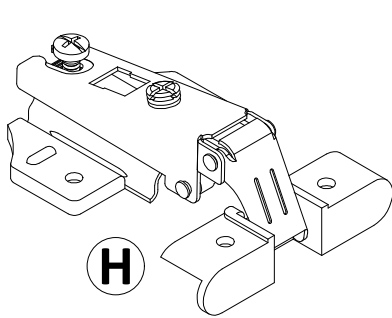
Slide the drawer with the installed inner rails into the corresponding slots in the cabinet until it clicks into place.



Install the Panel 11 drawer assembly at the bottom position.

Step 18

Door Hinge Deformation Instruction

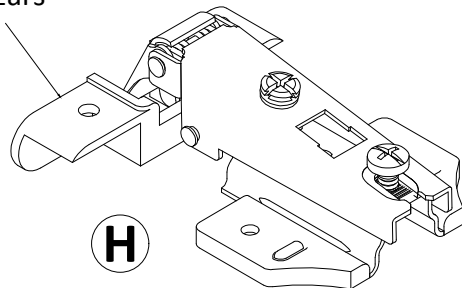


Before installing the door hinge, you need to take a small step to help the door hinge fit better into the door frame slot.

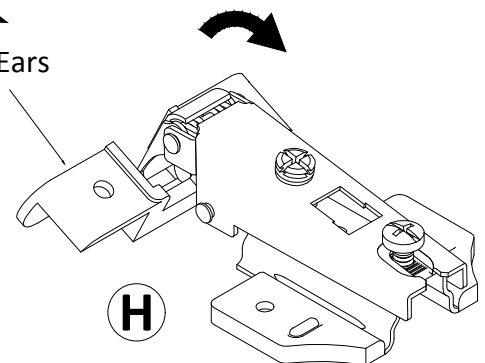
Step 19

1. Original Shape

Metal Ears

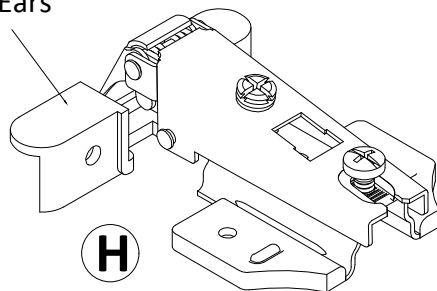


Metal Ears



2. Pull the metal ears back with your hands, and the door hinge will automatically deform.

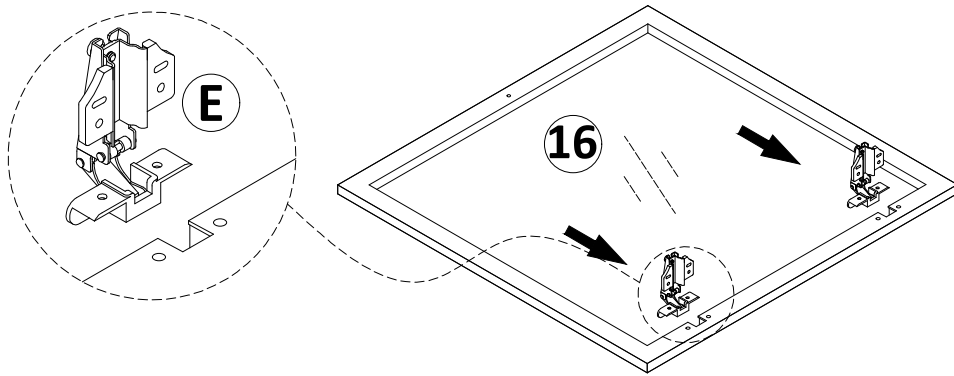
Metal Ears



3. Complete the transformation.

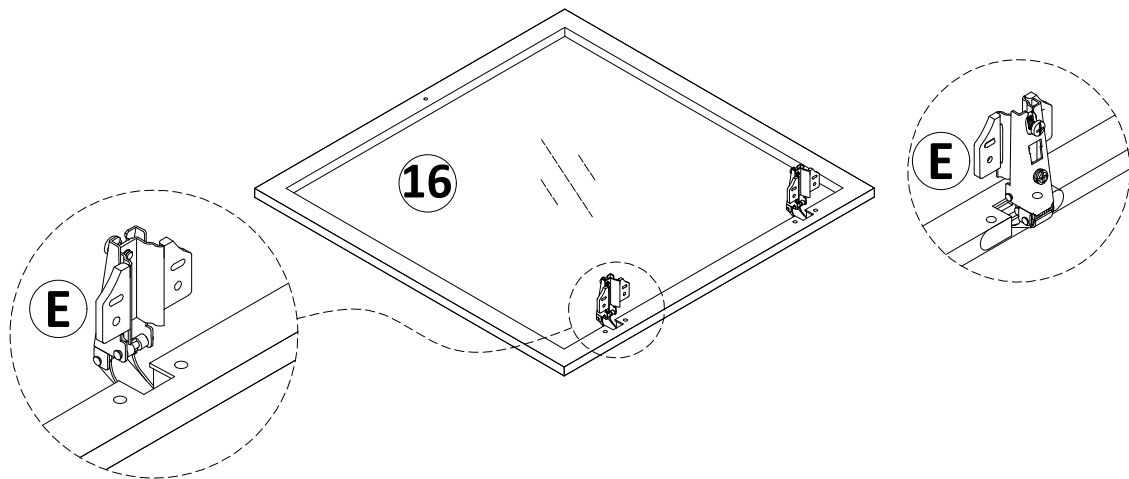
Step 20

Orient the #E (door hinges) as shown before securing.



Step 21

Mount the #E (door hinges) to the designated positions on the glass door as illustrated.

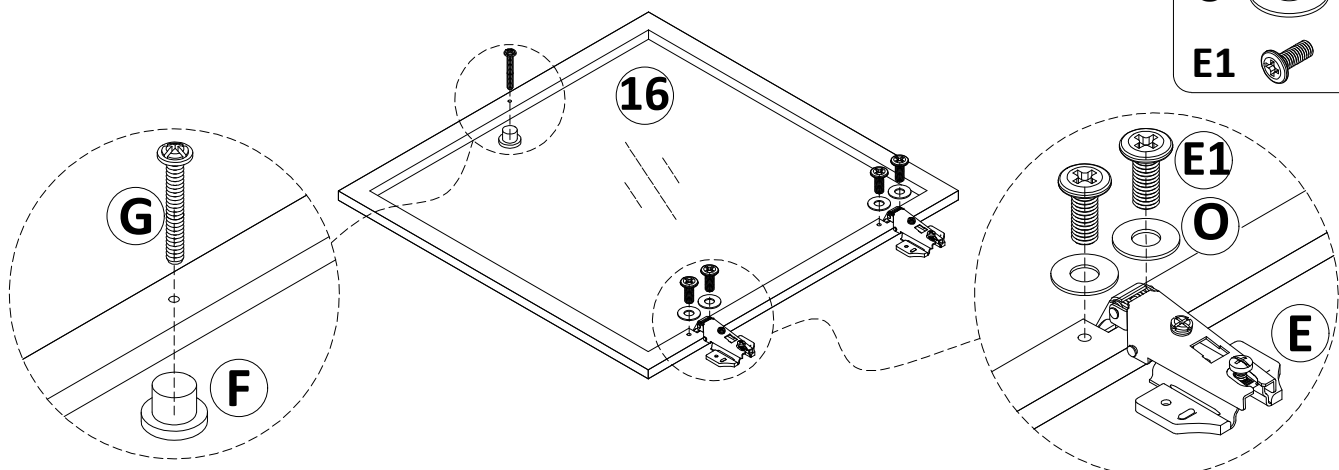


Step 22

1. Use #E1 (screws) to install #E (door hinge) onto the door frame (if the installation is not tight, add #O (washers) for fastening).

2. Install the handle: Use #G (screws) to install #F (handle) onto the door frame.

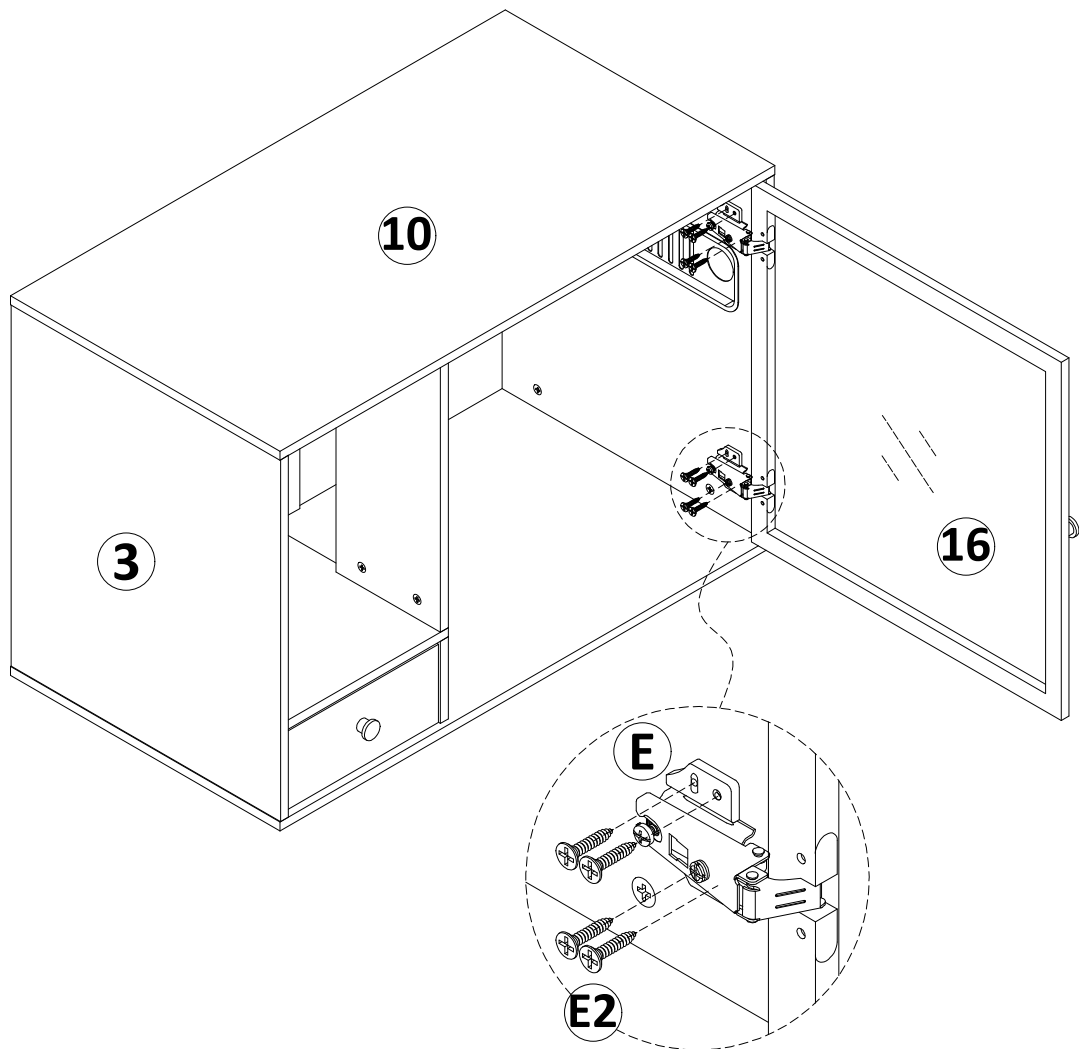
F		X1
G		X1
E		X2
O		X4
E1		X4



Step 23

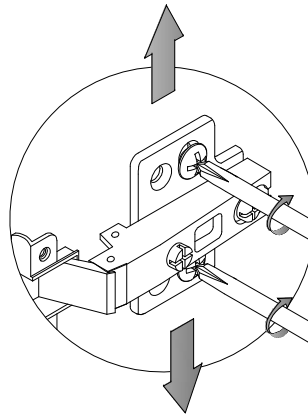
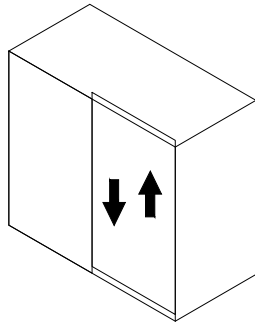
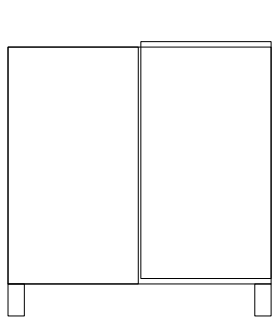
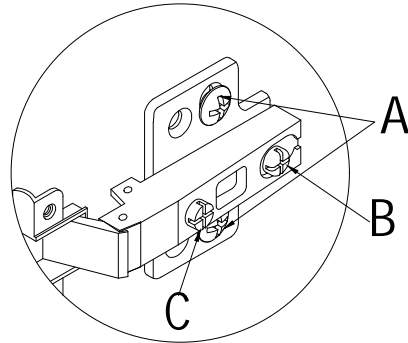
E2  **X8**

As shown, attach glass door 16 to the cabinet using #E (door hinges) and tighten with #E2 (screws).



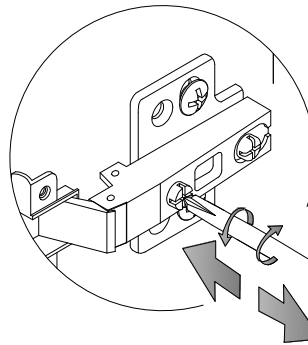
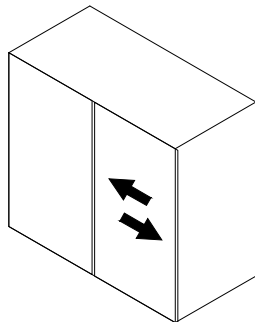
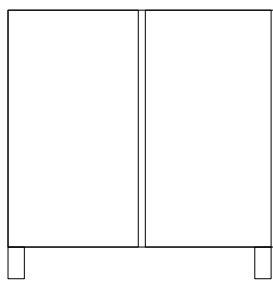
Step 24

Hinge Adjustment Diagram



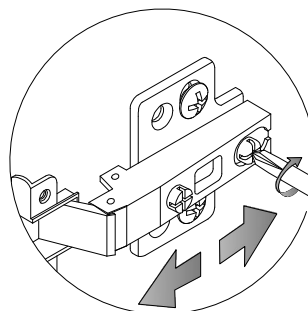
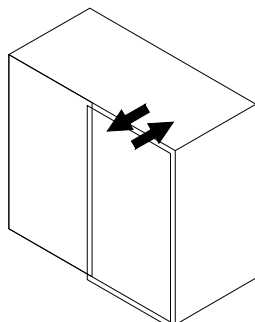
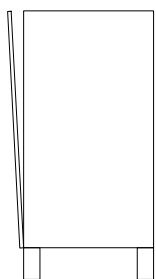
To adjust the vertical height.

Loosen the four screws labeled 'A' on both hinges, Two of these screws are usually in slotted holes, allowing for adjustment up or down by a few mm. After making the adjustment, tighten the screws back into place.



To adjust depth.

Loosen screw 'B' and adjust the door. If the door cannot be adjusted, loosen screw 'C' and try adjusting again. Once adjusted, tighten screws 'B' and 'C'.

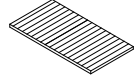



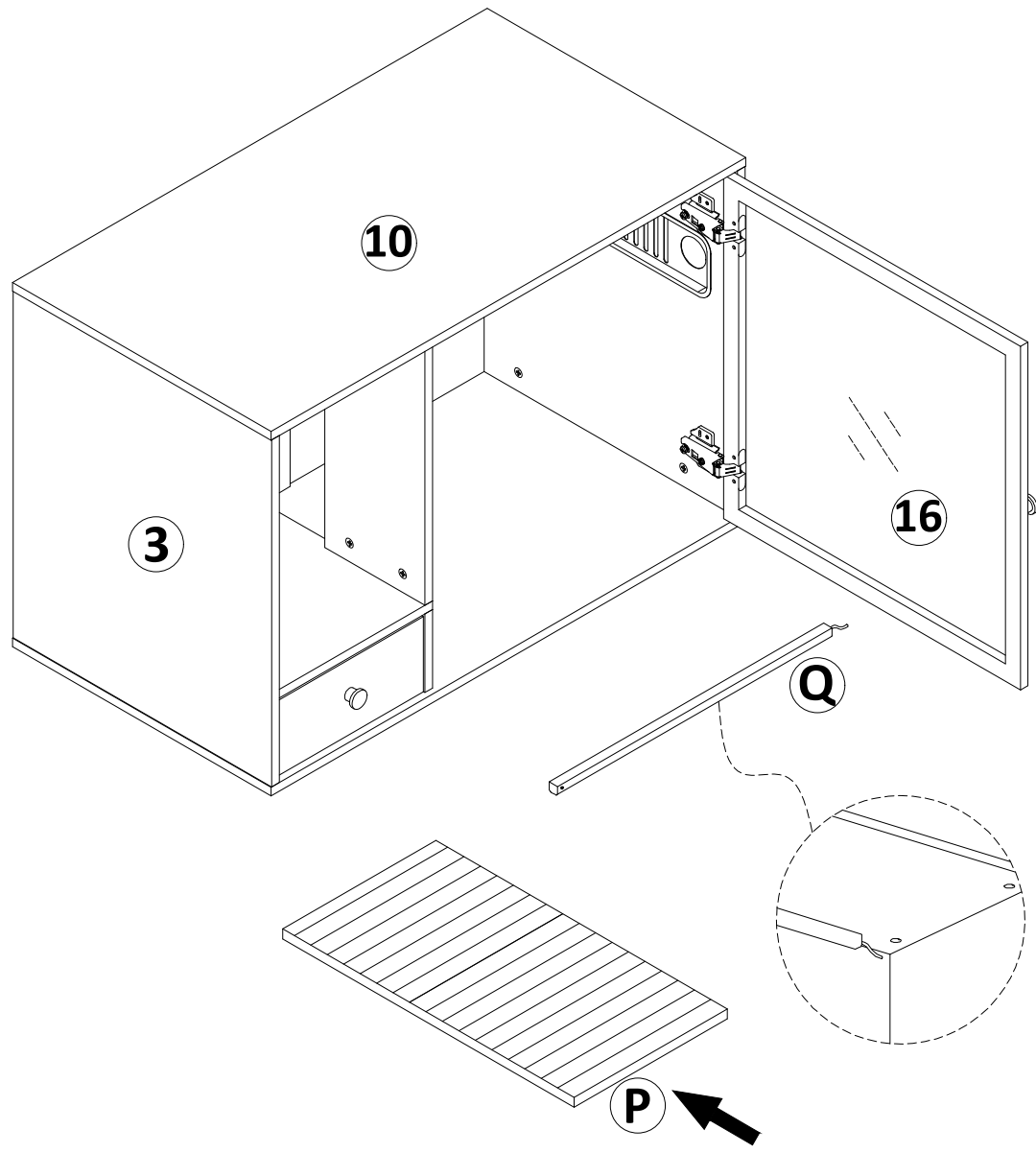
To adjust side ways.

Turn screw 'C' on both hinges of each door.

Step 25

As shown,, place the #P (cat scratching pad) on the left side of the cabinet, and install the #Q (light strip) inside the cabinet.

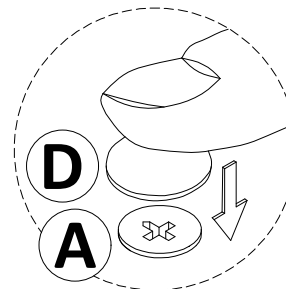
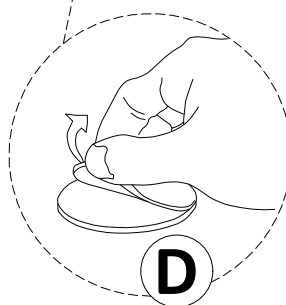
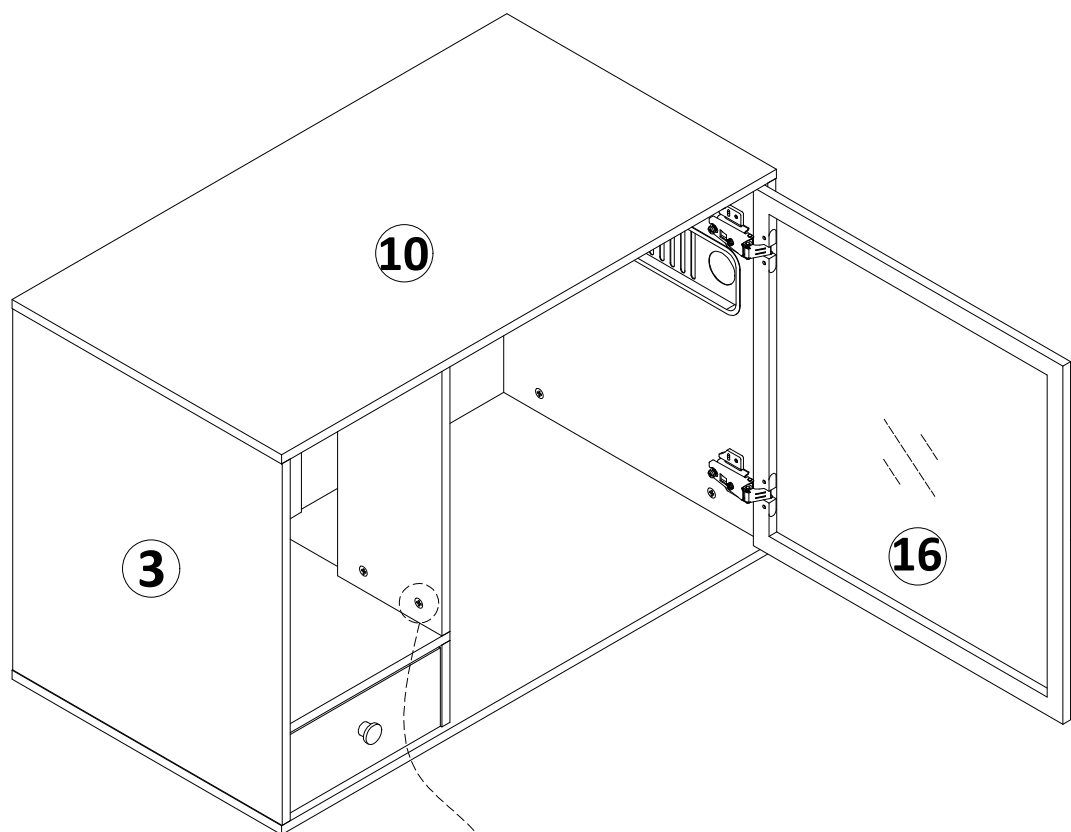
- P**  **X1**
- Q**  **X1**



Step 26

D  **X14**

Place the #D (hole sticker) inside the cabinet to cover the position of the #A (eccentric cam lock).



Assembly Completed

