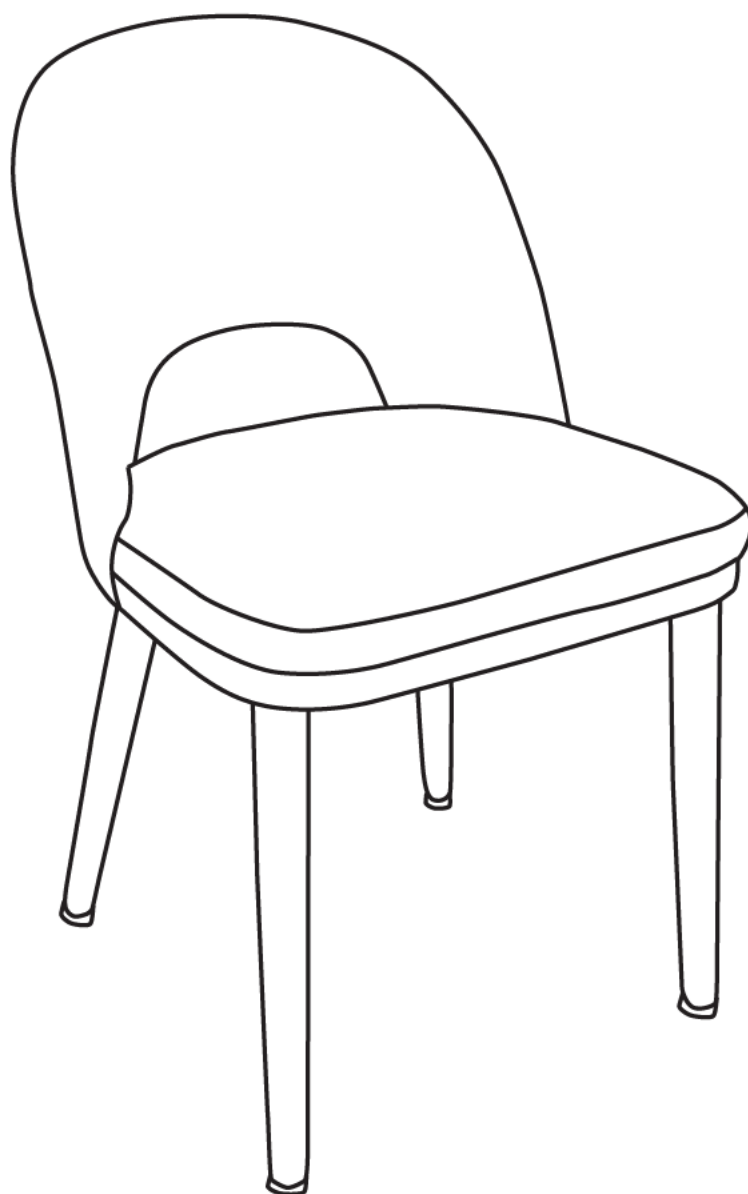



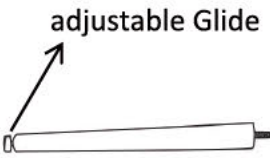
DINING CHAIR

ASSEMBLY INSTRUCTIONS

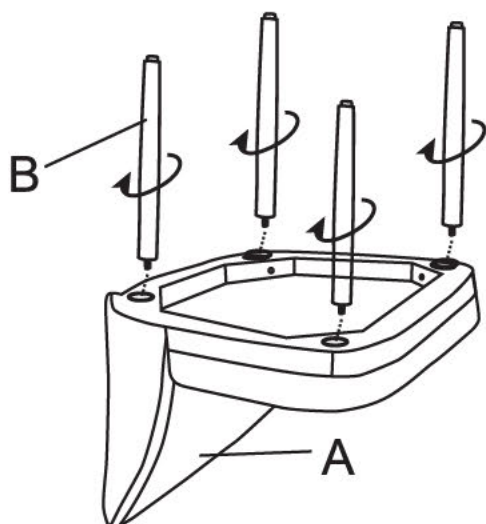
DINING CHAIR



Component List

Part Lable	DESCRIPTION		QTY
A		SEAT&BACK	1
B		LEG	4

① Rotate the legs as the picture.
Caution : At this stage,tigtten the leg completely.



② If wobble,pls adjust the adjustable glide height for balance

