

# OSLO 6 DRAWER WIDE CHEST

Cat No

5376



## Dimensions

Width: 120.00cm  
Depth: 39.00cm  
Height: 74.50cm

## No. people



## Assembly Time

2.0 Hours  
(approx.)

**Important** - Please read these instructions fully before starting assembly

# Safety and Care Advice

**Important - Please read these instructions fully before starting assembly**

- Check you have all the components and tools listed on next pages.
- Remove all fittings from the plastic bags and separate them into groups.
- Keep children and animals away from the work area, small parts could choke if swallowed.
- Make sure you have enough space to lay out the parts before starting.
- Do not stand or put weight on the product, this could cause damage.
- Assemble the item as close to its final position (in the same room) as possible.
- Assemble on a soft, level surface to avoid damaging the unit or your floor.
- We do not recommend the use of power drill/drivers for inserting screws, as this could damage the unit. Only use hand screwdrivers.
- Dispose of all packaging carefully and responsibly.
- Warning : Do not over tighten the handle screw that way break the mirror.



## Care and Maintenance

- Please clean using cloth with glass cleaner, do not use bleach or abrasive cleaners.
- From time to time check that there are no loose screws on this unit.
- This product should not be discarded with household waste. Take to your local authority waste disposal centre.
- Assemble all parts and bolts loosely during assembly, only once the product is complete should you fully tighten the bolts
- Regularly check and ensure That all bolts and fittings are tightend properly.

### WARNING

In order to help prevent overturning-  
please follow these instructions

To help prevent product toppling over please follow the below steps:-

Use the anti tip stap or wall fixing method provided (if applicable)

Do not allow children to climb or hang on the furniture

Do not open more than one drawer at a time

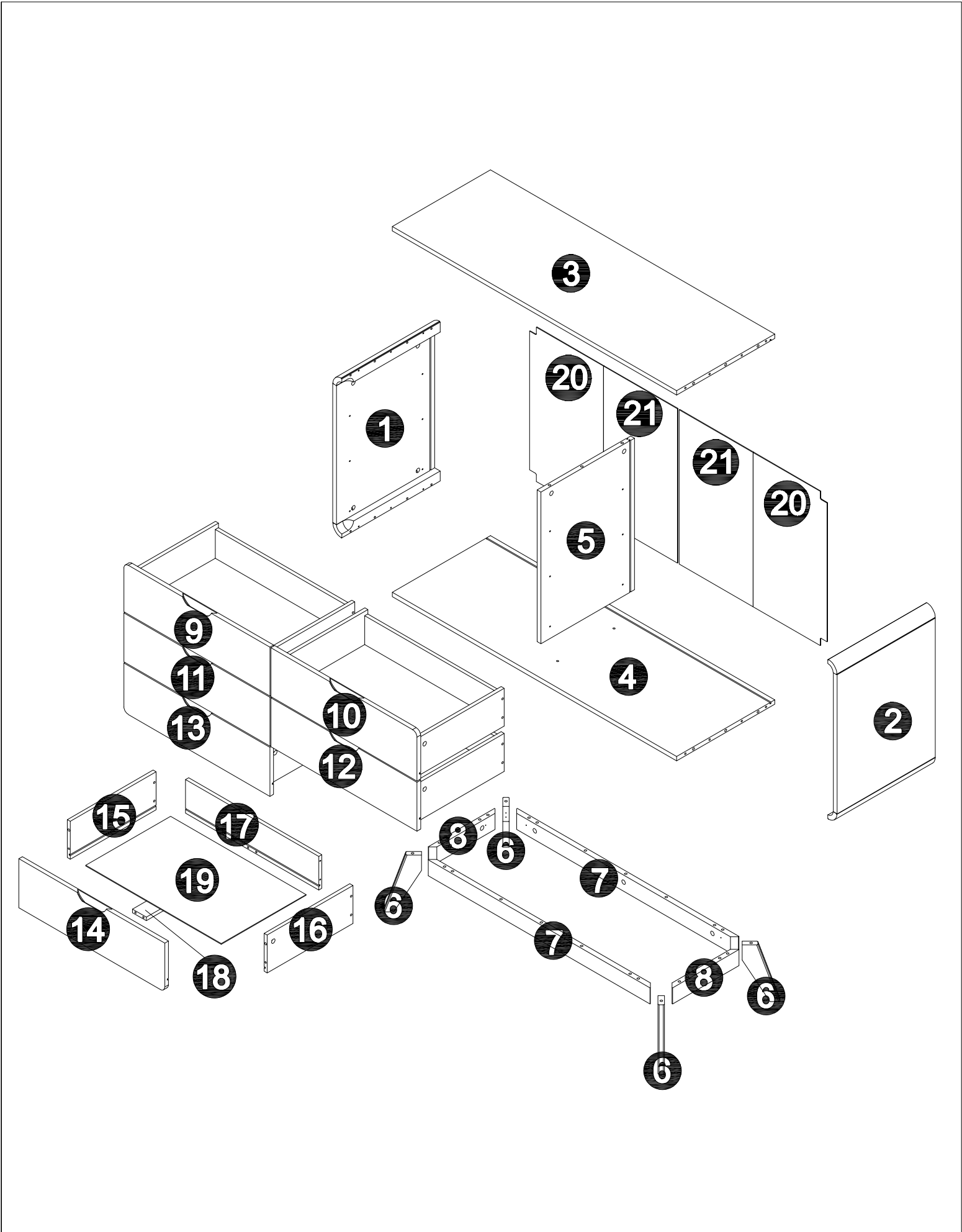
Do not place heavy items in the top drawers

Do not place heavy items on top of the furniture, unless the furniture has been designed for this purpose

please note that only the anti tip strap is provided.

You will need to provide wall plugs and screws applicable for your wall type

# Exploded View



# Components - Panels

Please check that you have all the components listed below before constructing your items.





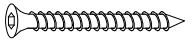
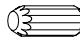


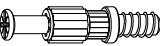
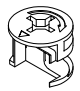
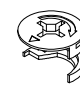
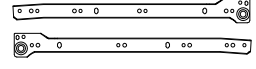

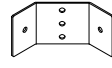
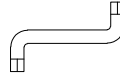
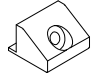
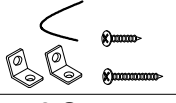
Part No	Description	Qty
1	Side Panel (Left)	1
2	Side Panel (Right)	1
3	Top Panel	1
4	Bottom Panel	1
5	Divider Panel	1
6	Leg	4
7	Bottom Rail Panel (Front / Back)	2
8	Bottom Rail Panel (Left / Right)	2
9	Drawer Front Top (Left)	1
10	Drawer Front Top (Right)	1
11	Drawer Front Center (Left)	1
12	Drawer Front Center (Right)	1
13	Drawer Front Bottom (Left)	1
14	Drawer Front Bottom (Right)	1
15	Drawer Side (Left)	6
16	Drawer Side (Right)	6
17	Drawer Back	6
18	Drawer Support	6
19	Drawer Bottom	6
20	Back Panel	2
21	Back Panel	2

# Components - Fixings

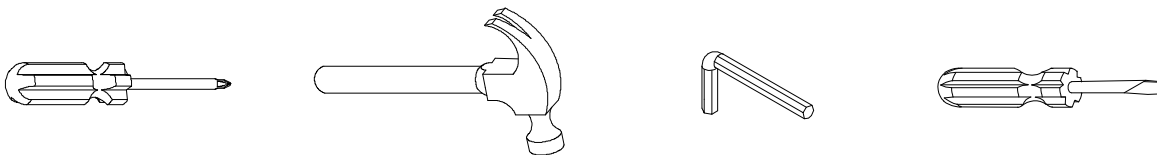
**Please check that you have all the components listed below before constructing your items.**

**Note:** The quantities below are the correct amount to complete the assembly. In some cases more fittings may be supplied than are required.

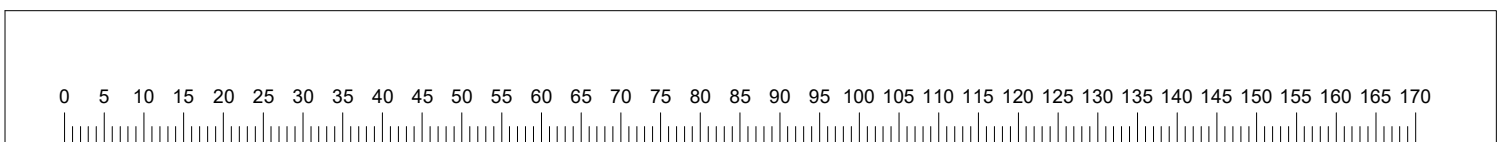
**\*Hardware packed separately according to the code.**

(A)	CSK M3.5 X 12MM	(B)	CSK M3.5 X 15MM	(C)	CSK M4 X 25MM	(D)	EURO SCREW M6 X 9MM
							
	24 unit		20 unit		8 unit		24 unit
(E)	JCBC(W) M6 X 40MM	(F)	WOOD DOWEL Ø6 X 20MM	(G)	WOOD DOWEL Ø6 X 35MM	(H)	WOOD DOWEL Ø8 X 25MM
							
	26 unit		36 unit		16 unit		17 unit
(J)	BOLT DOWEL 20 X 5MM	(K)	CAM 15/15	(L)	CAM 15/12	(M1) & (M2)	DRAWER SLIDE (350MM)
							
	36 unit		24 unit		12 unit		6 sets
(N1) & (N2)	DRAWER SLIDE (350MM)	(P)	TABLE CORNER BRACKET (5 HOLES)	(Q)	ALLEN KEY M4	(R)	BACKPLY STOPPER
							
	6 sets		4 unit		1 unit		12 unit
(S)	TIPPING RESTRAINT KIT						
							
	2 Sets						

## Tools Required



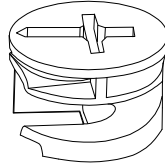
**Ruler - Use this to measure your screws (mm)**



# Using Camlocks

## SPECIAL TIPS FOR FITTING CAM-LOCKS AND CAM-BOLTS

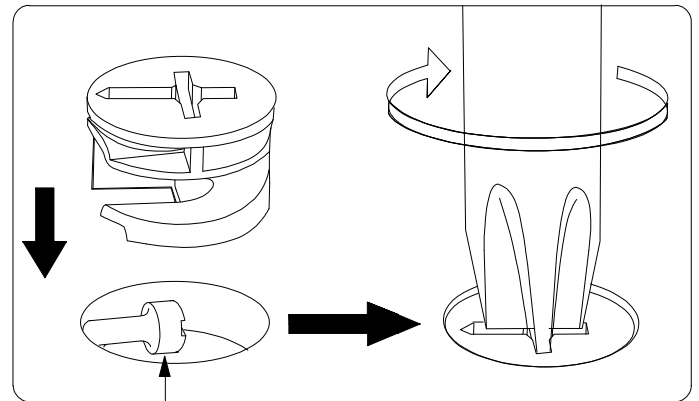
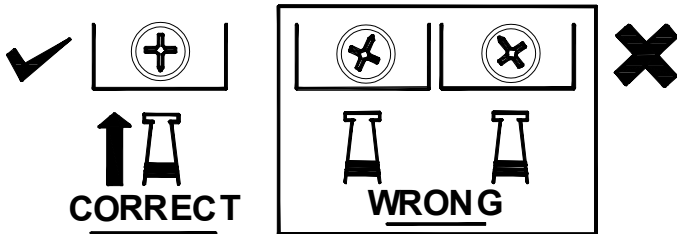
### CAM-LOCK



Align with long point of cross

#### WHEN FITTING CAMS

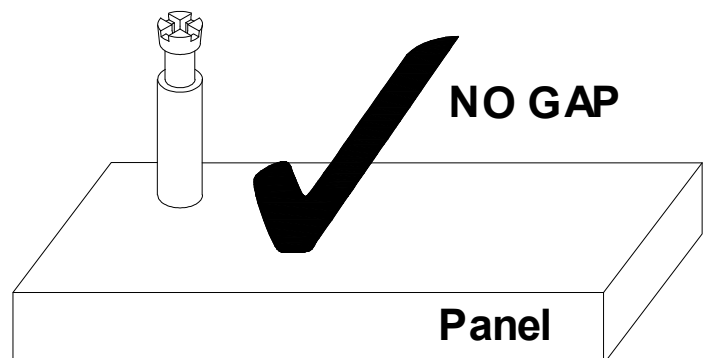
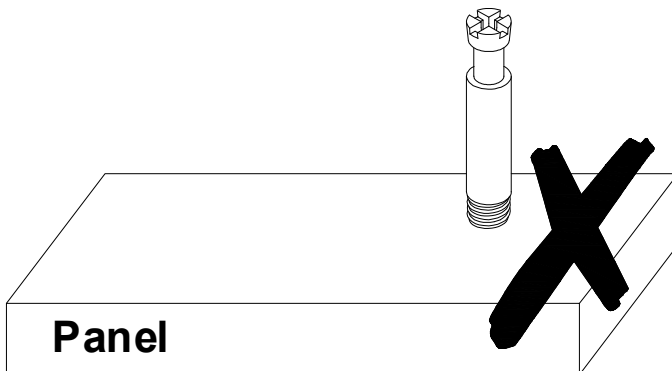
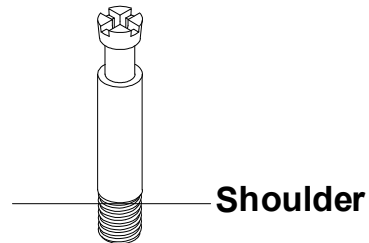
ENSURE STARTING POSITION IS CORRECT  
BEFORE YOU INSERT CONNECTING CAM-BOLTS  
TURN CLOCKWISE UNTIL SECURE



Lock head needs to be in centre



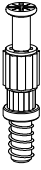
### CAM-BOLT

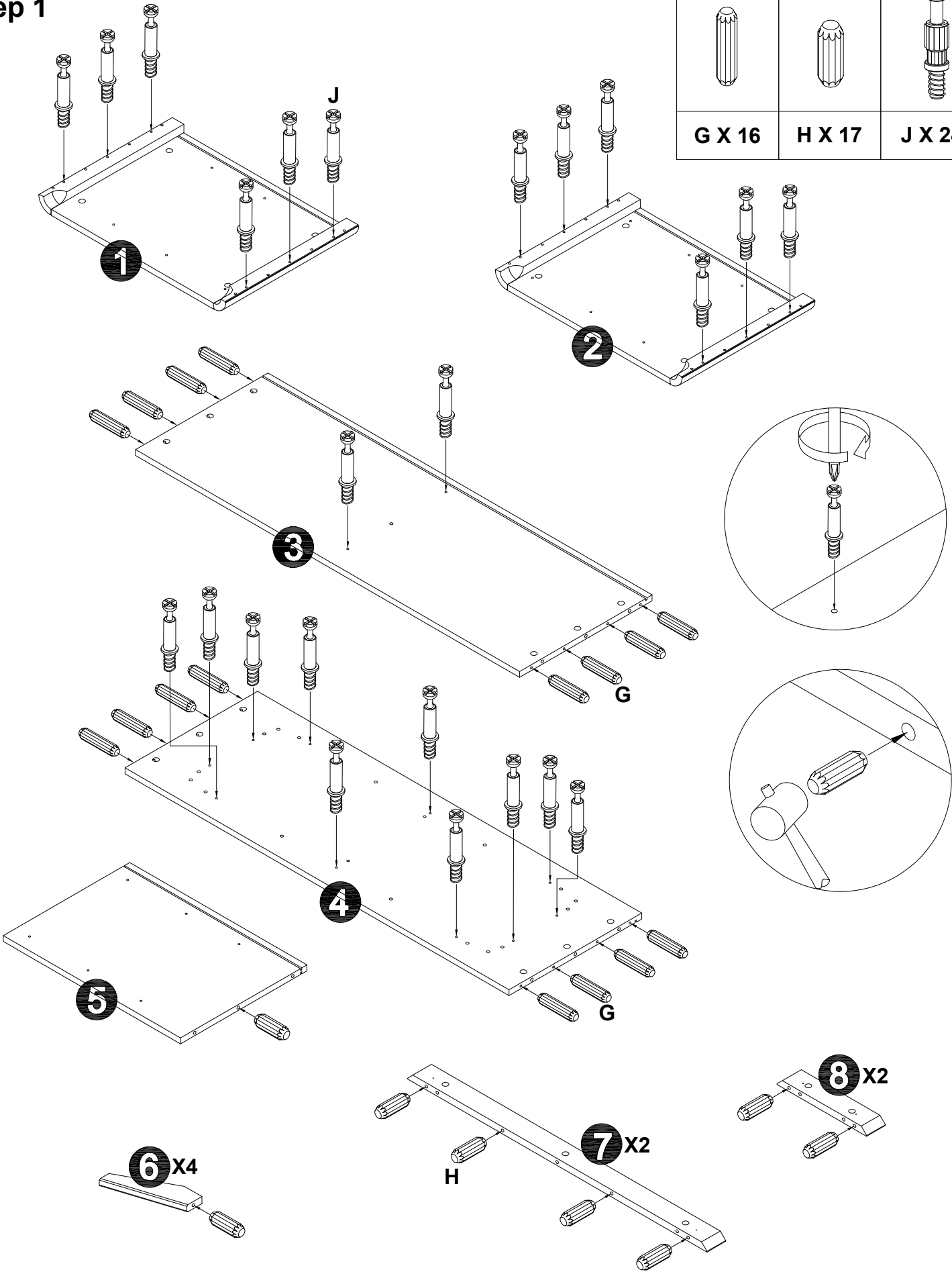
Tighten until shoulder is flush with panel. Do not overtighten or undertighten (see example below)



# Assembly Instructions

## Step 1

		
<b>G X 16</b>	<b>H X 17</b>	<b>J X 24</b>

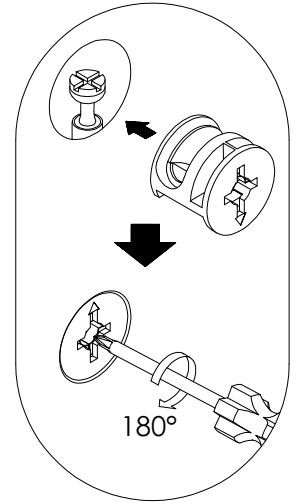
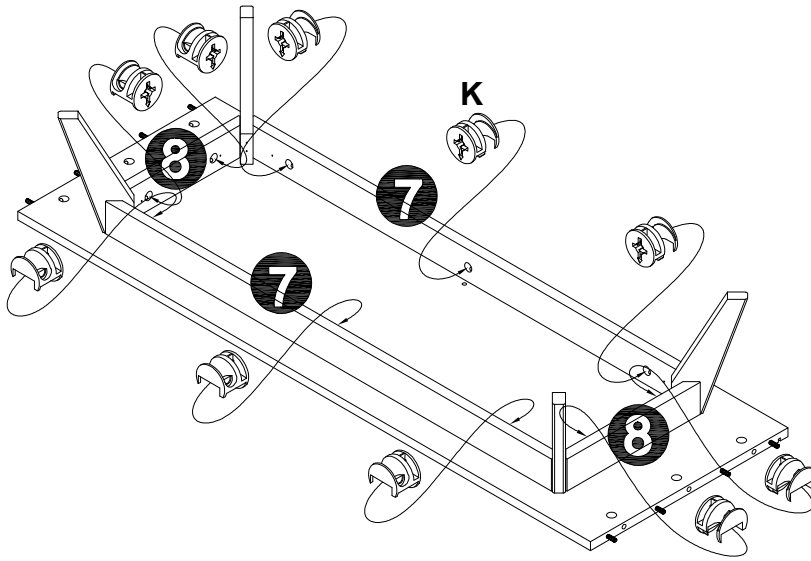




# Step 4



**K X 10**



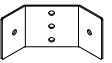
# Step 5



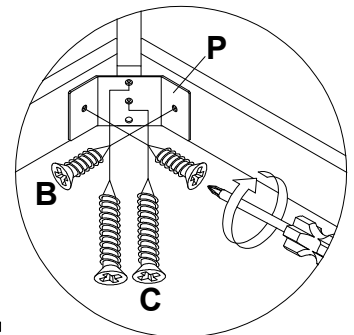
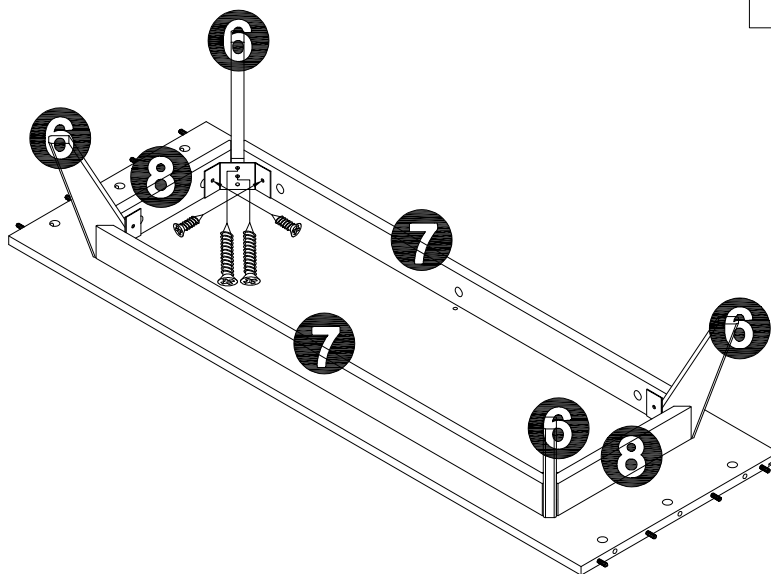
**B X 8**



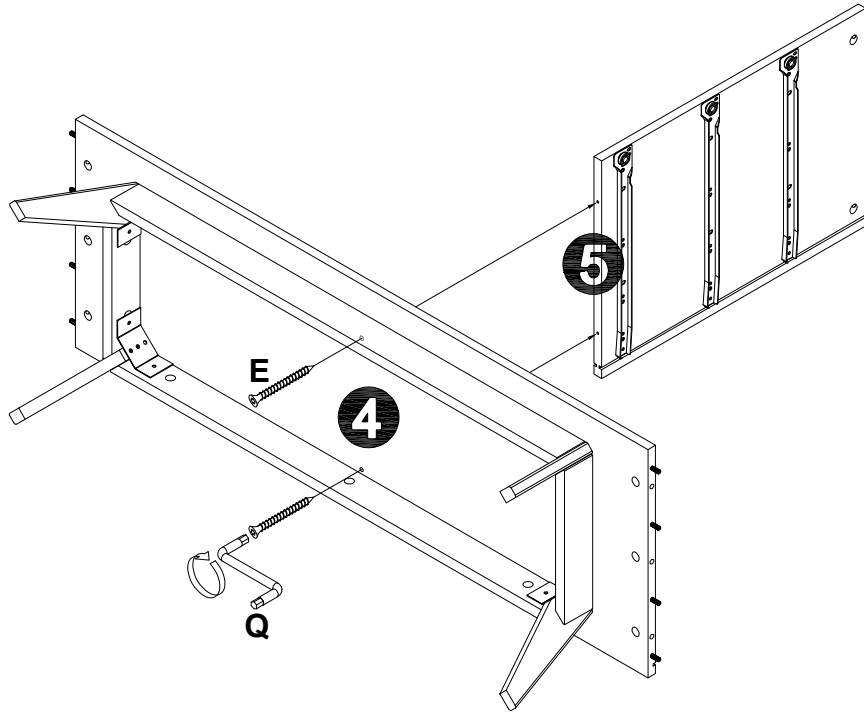
**C X 8**



**P X 4**



# Step 6

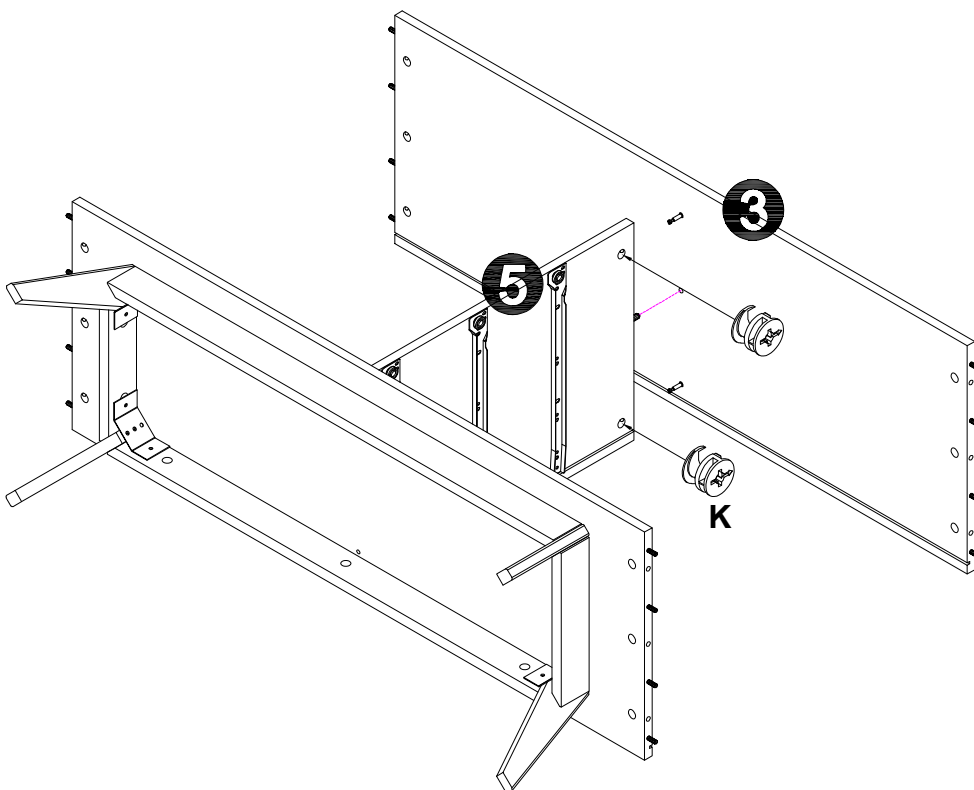


E X 2

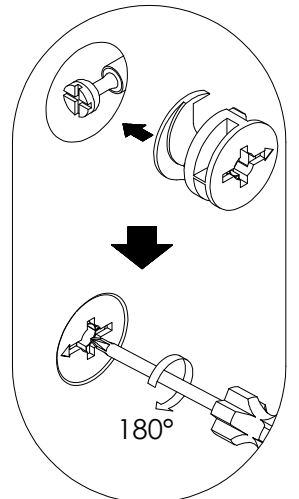


Q

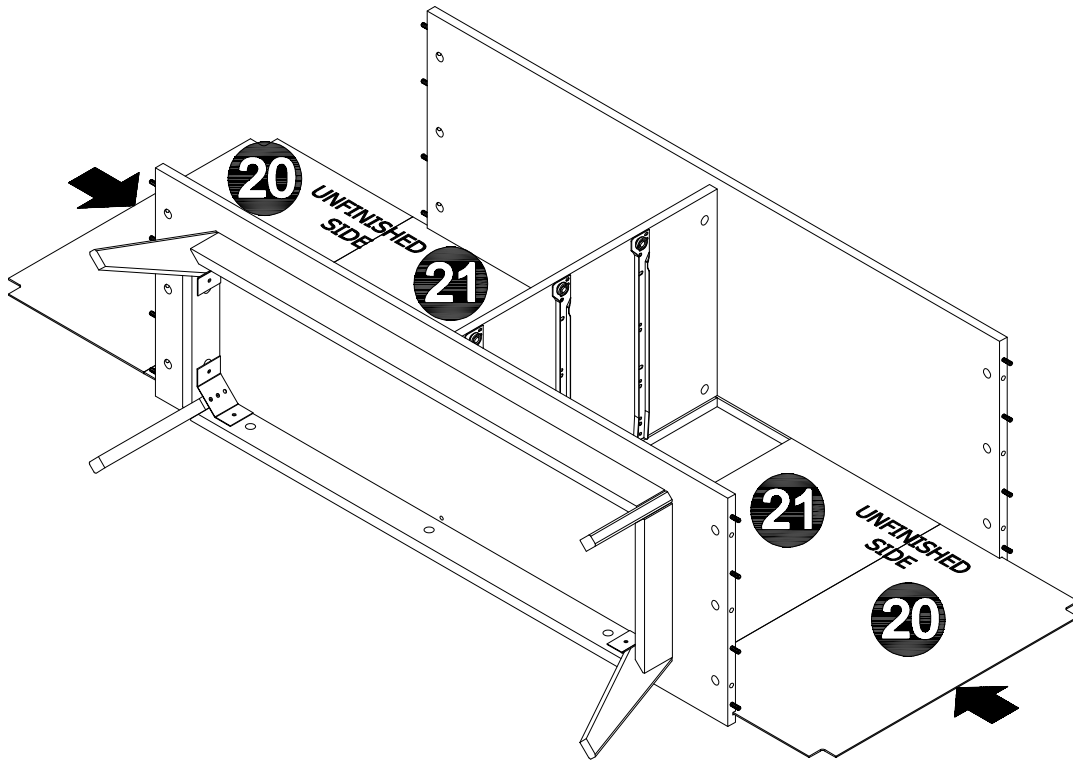
# Step 7



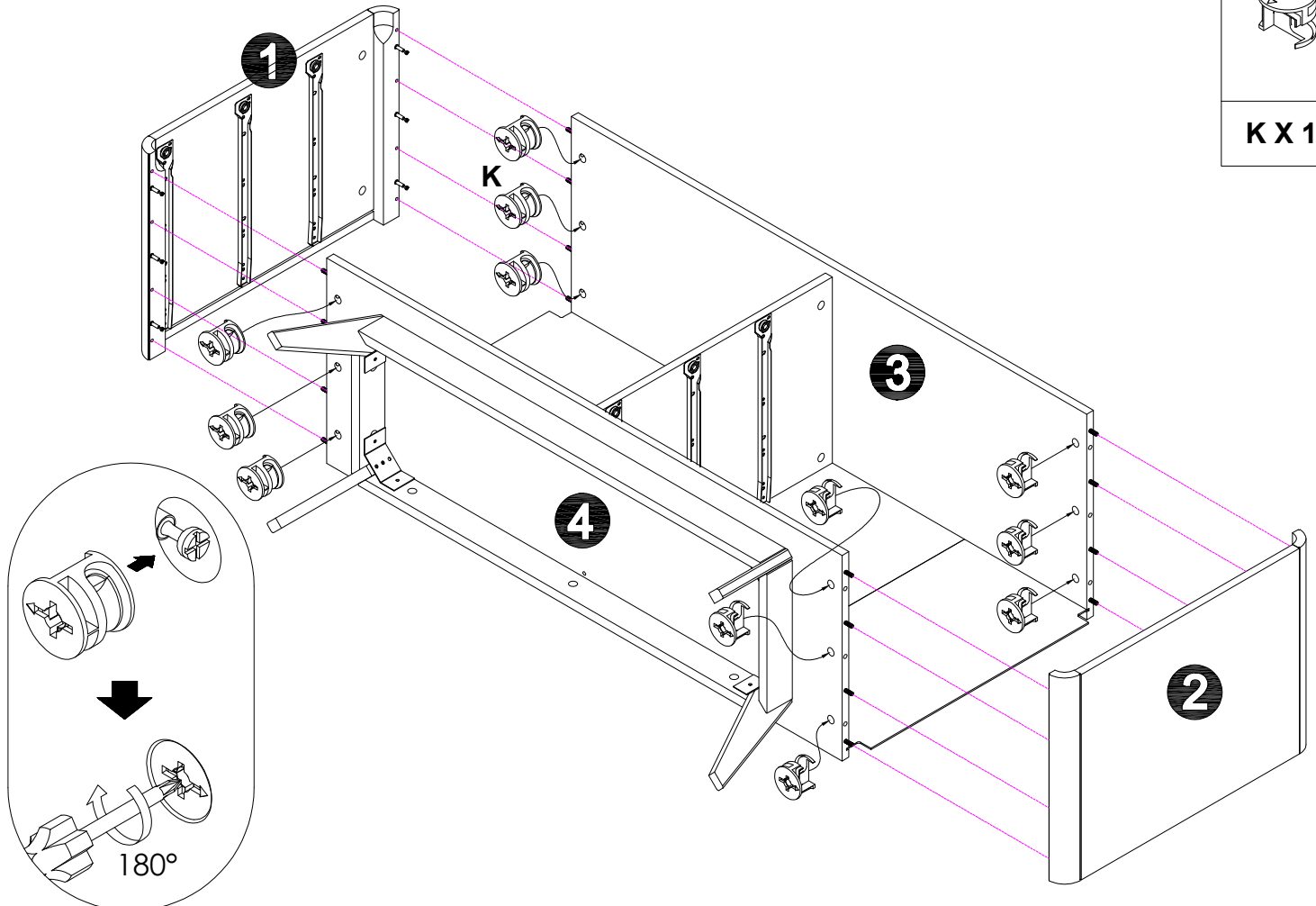
K X 2



## Step 8

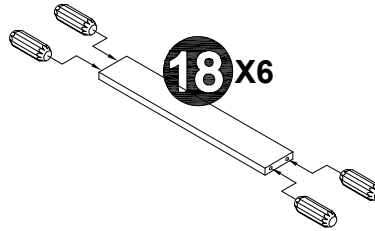
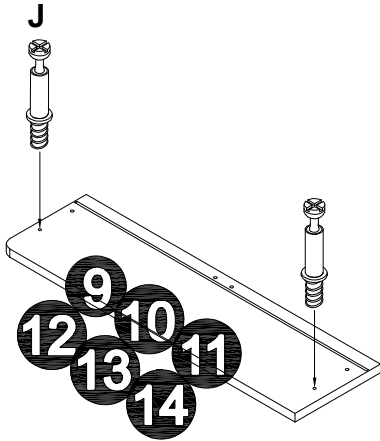
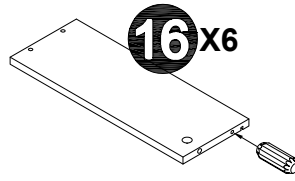
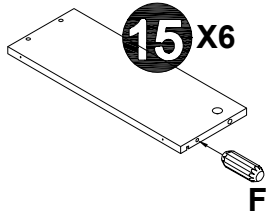


## Step 9

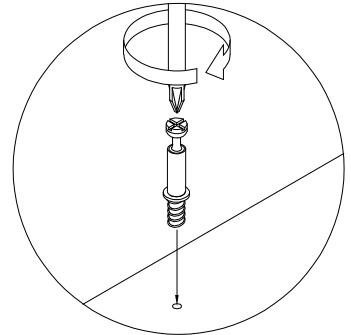
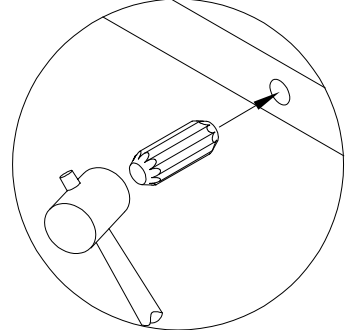


K X 12

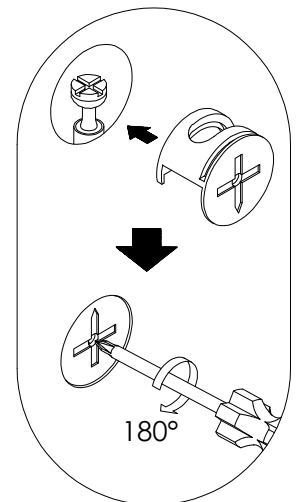
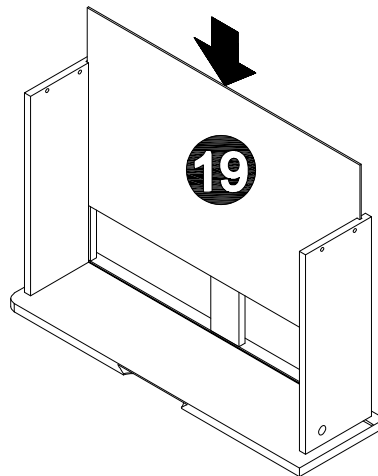
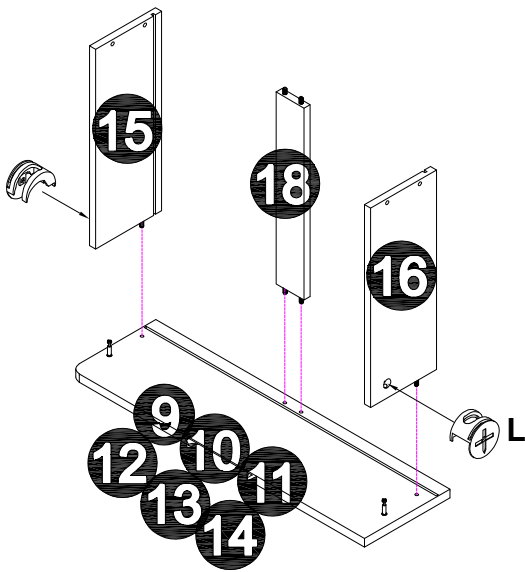
## Step 10



<b>F X 36</b>	<b>J X 12</b>

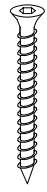
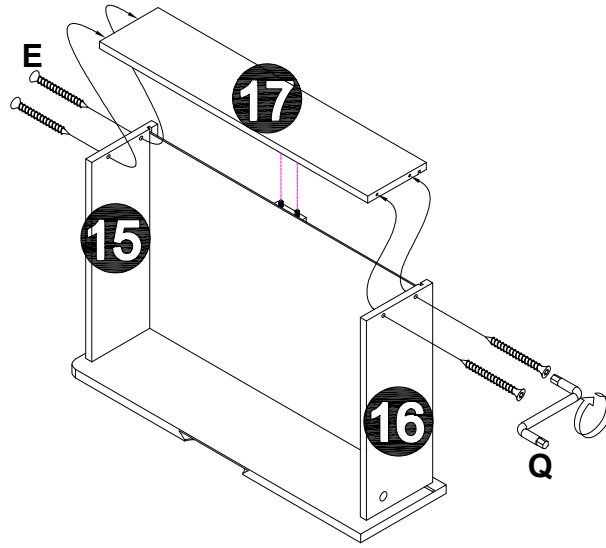


## Step 11

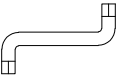


<b>L X 12</b>

# Step 12



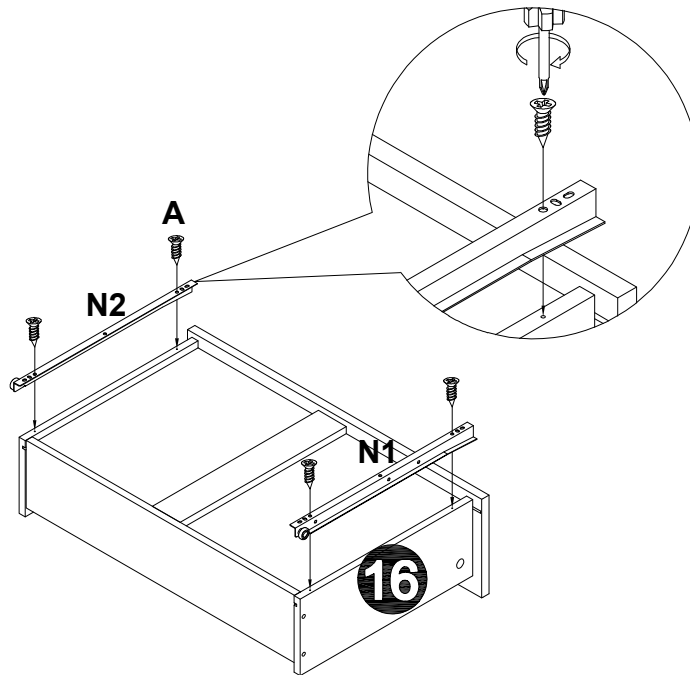
E X 24



Q

# X6

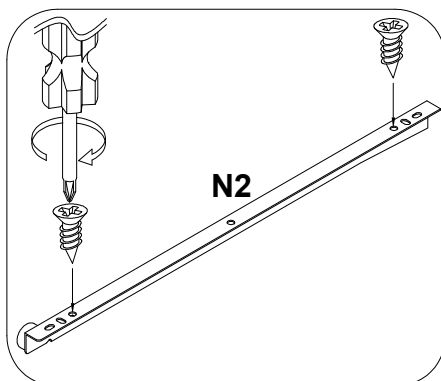
# Step 13



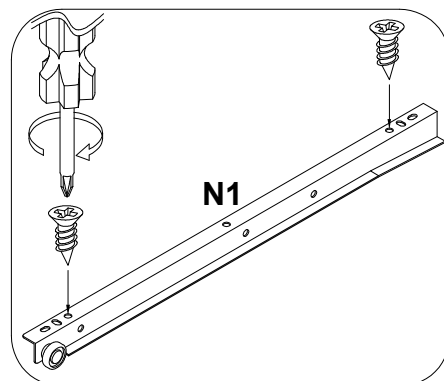
A X 24



N1 & N2  
X 6SETS



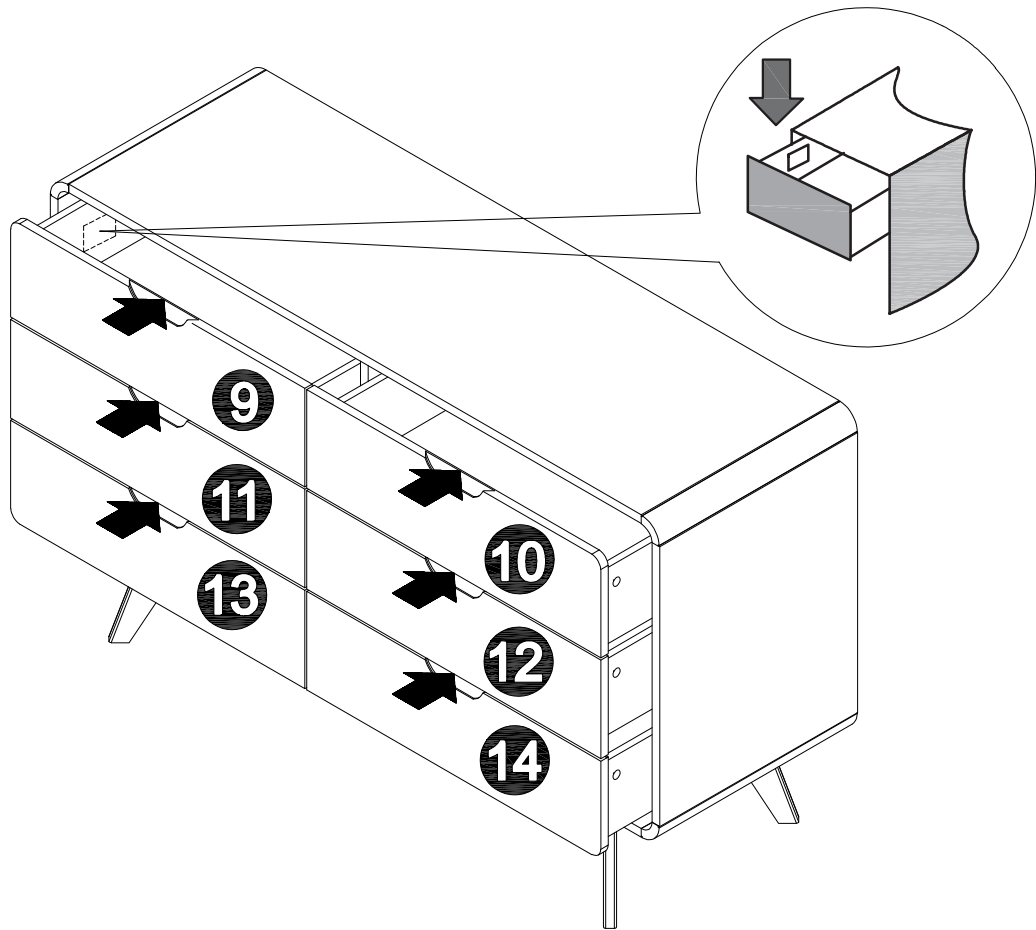
N2



N1

# X6

## Step 14

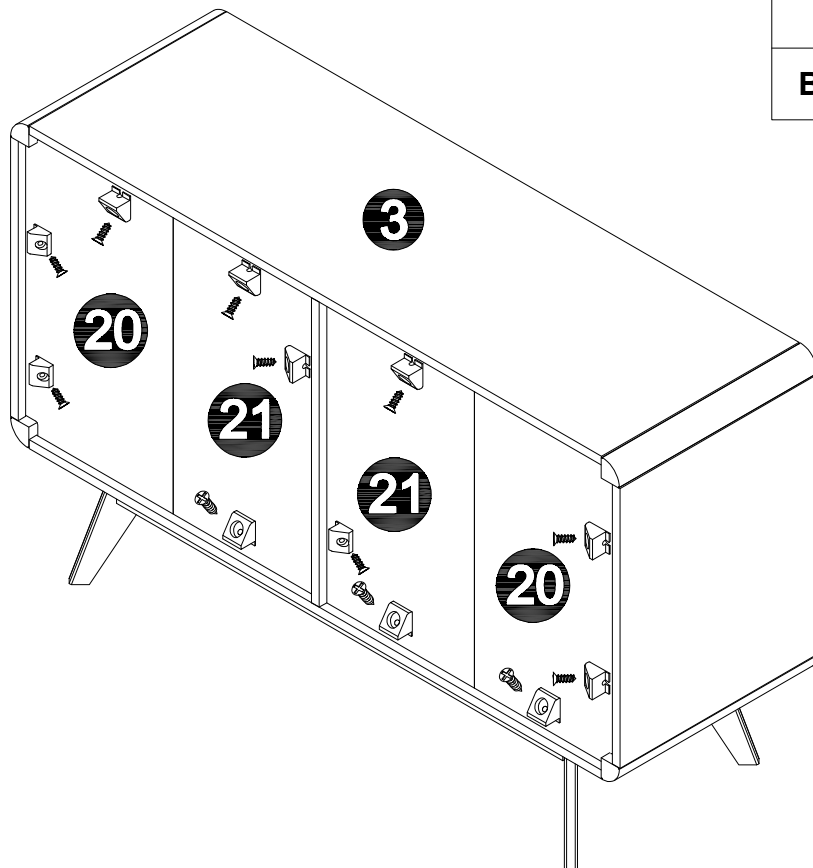
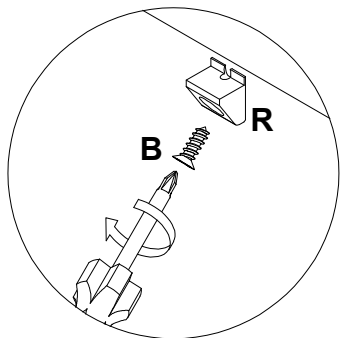


## Step 15



**B X 12**

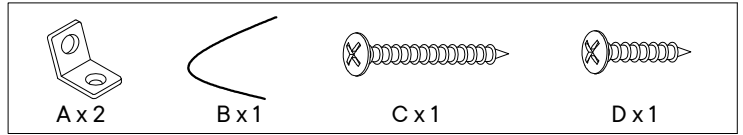
**R X 12**



# Step 16

## TIPPING RESTRAINTS KIT INSTALLATION GUIDANCE

This tipping restraint is not an earthquake restraint. If you wish to add the extra security of earthquake restraints, they must be purchased and installed separately.



WALL

