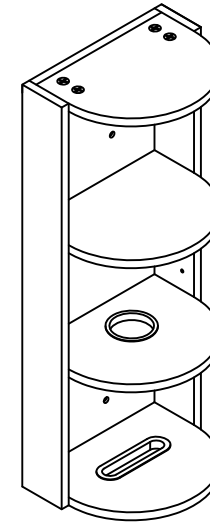
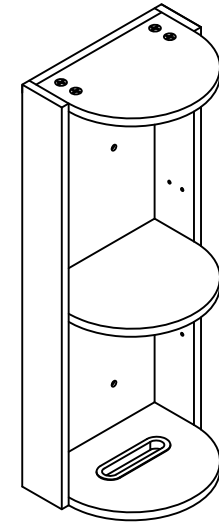


THANKS FOR WATCHING

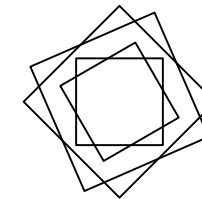
Your feedback is invaluable to us and we would love to hear about your experience. Please take the time to leave us a review.



Three layer side cabinet



Two layer side cabinet

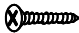

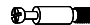


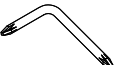


Thank you for shopping with us!

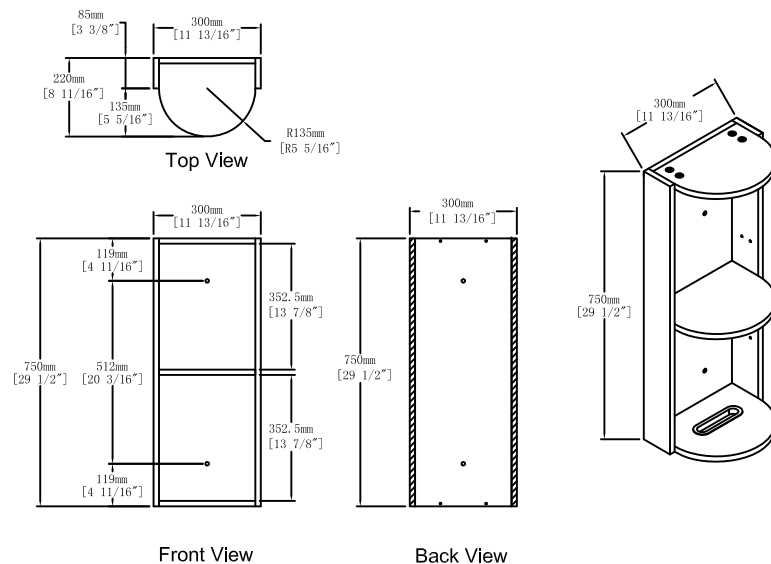
We encourage you to take a few minutes to go through this booklet. It contains important information on installation and care tips to keep your furniture looking as good as new.

Item NO.:SC 00612

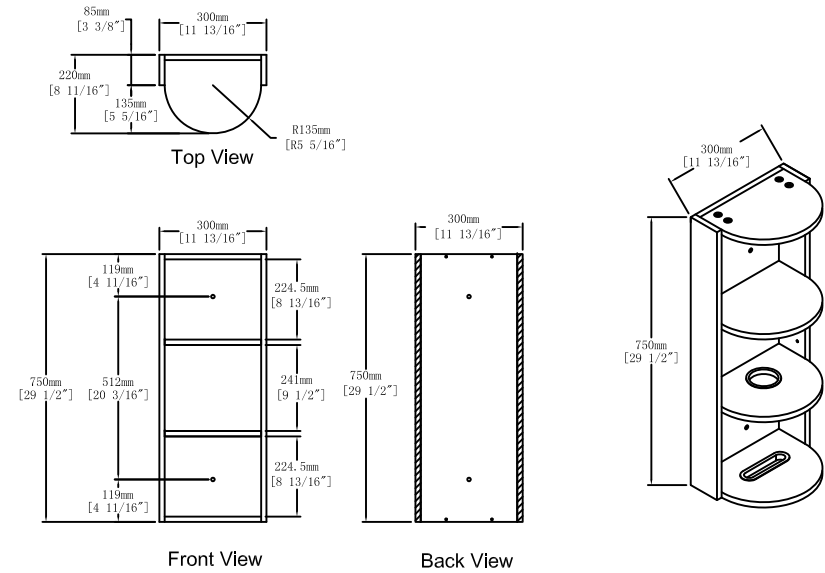
Hardware

NO.	Draw	QTY	NO.	Draw	QTY
A	 Screws Ø4x25mm	4	D	 Plastic anchor(Ø10mm)	2
B	 Two-in-one connector	22	E	 Screws for fix on the wall	2
C	 Two-in-one connector	22	F	 Screwdriver	1

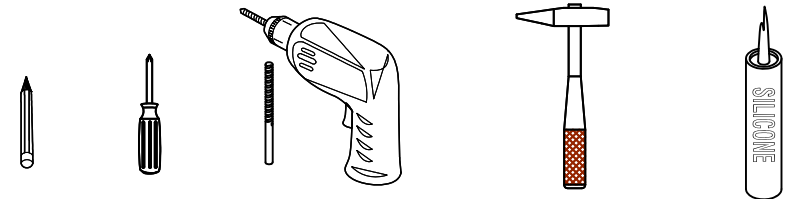
Dimensions Two layer side cabinet



Dimensions Three layer side cabinet



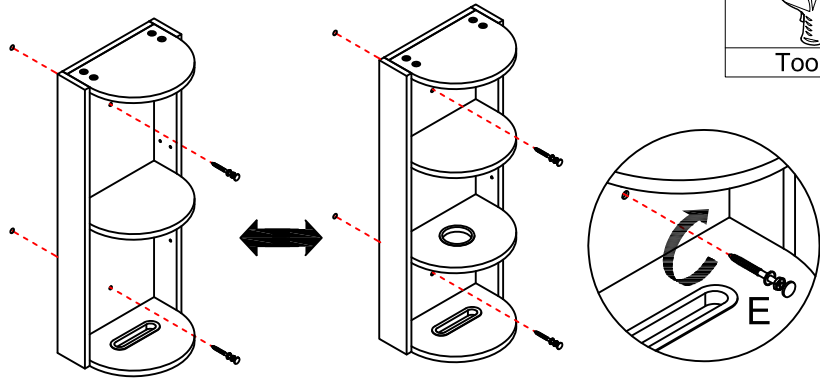
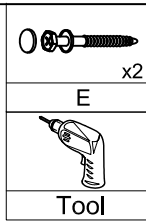
Recommended tools



CARE CLEANING AND MAINTENANCE

1. Dust regularly with a soft , dry cloth.
2. Avoid the use of all chemicals household cleaners, abrasives, or cleaners that contain lemon, vinegar, or other acids that may damage the finish.
3. Excessive exposure to sunlight and extreme changes in temperature and moisture can damage wood furniture.
4. Do not place hot appliances, such as curling irons and hot hair dryers directly on the countertop. Wipe spills immediately.

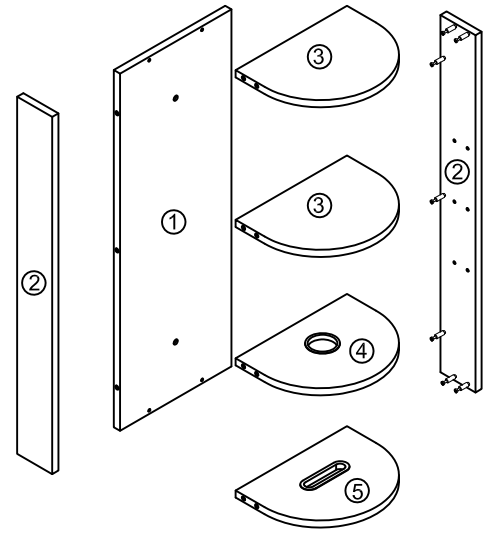
Step 7



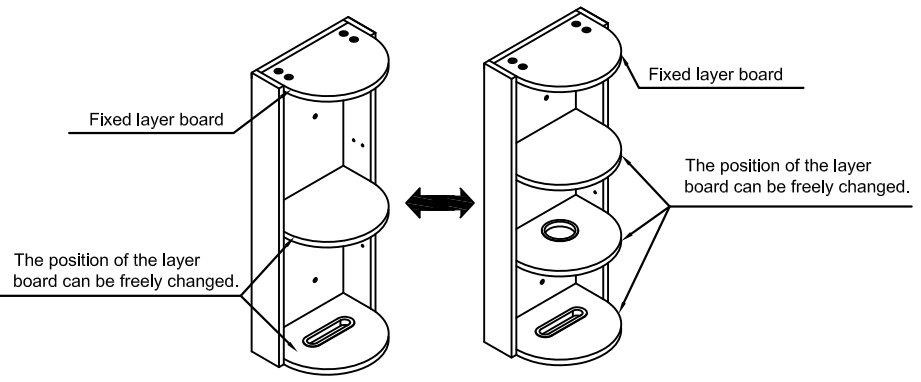
Two layer side cabinet

Three layer side cabinet

Components



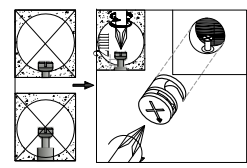
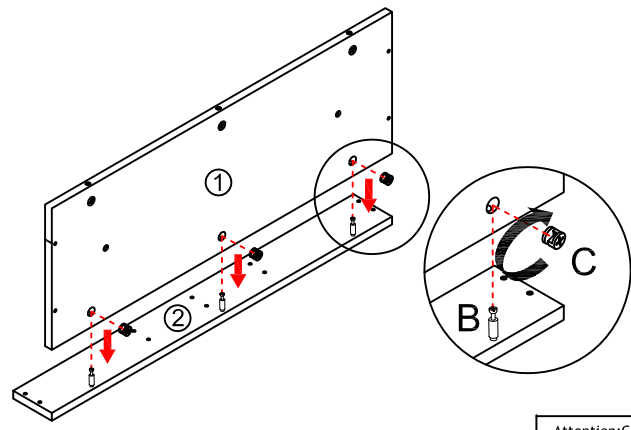
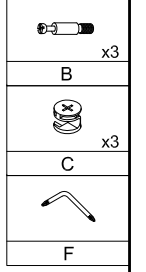
Finished



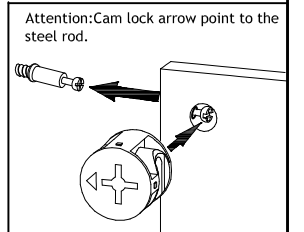
Two layer side cabinet

Three layer side cabinet

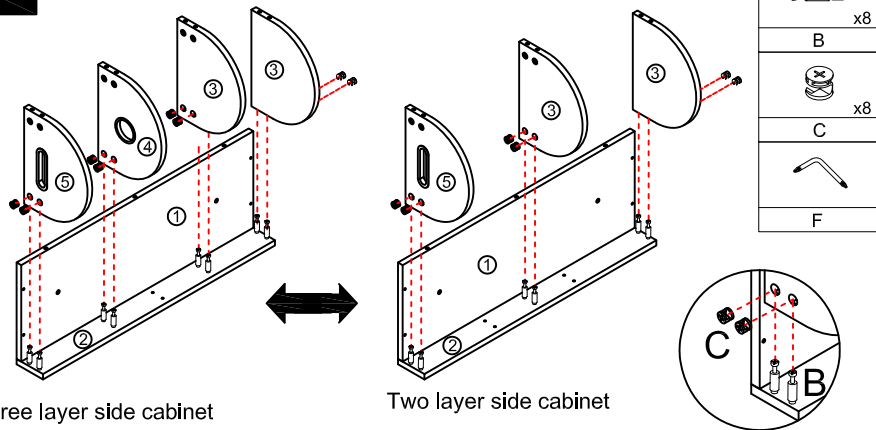
Step 1



Notes: Screw installation depth as shown



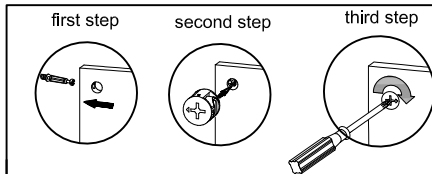
Step 2



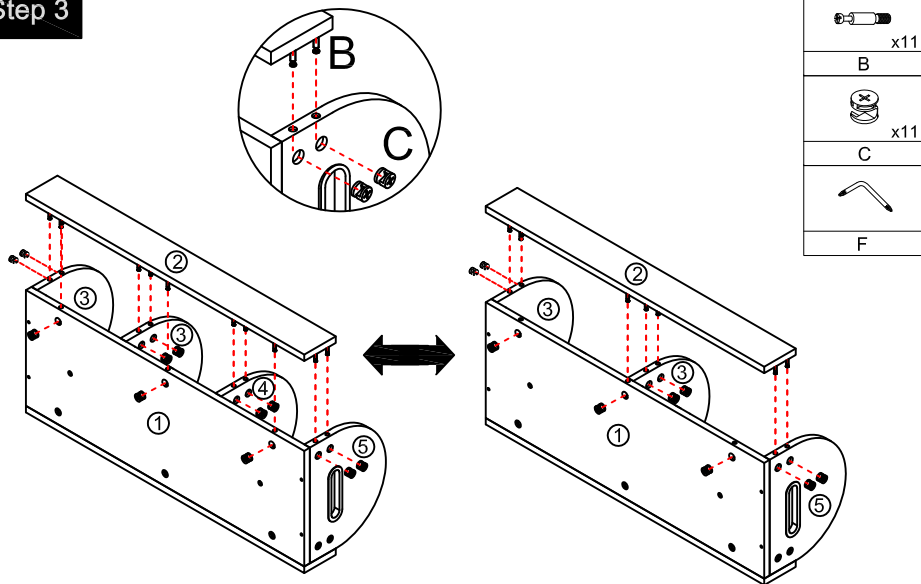
Three layer side cabinet

Two layer side cabinet

The top layer is a fixed board, and other layers can be installed with one or two boards according to their own needs. The installation position of the boards can be installed as needed, as shown in the diagram.



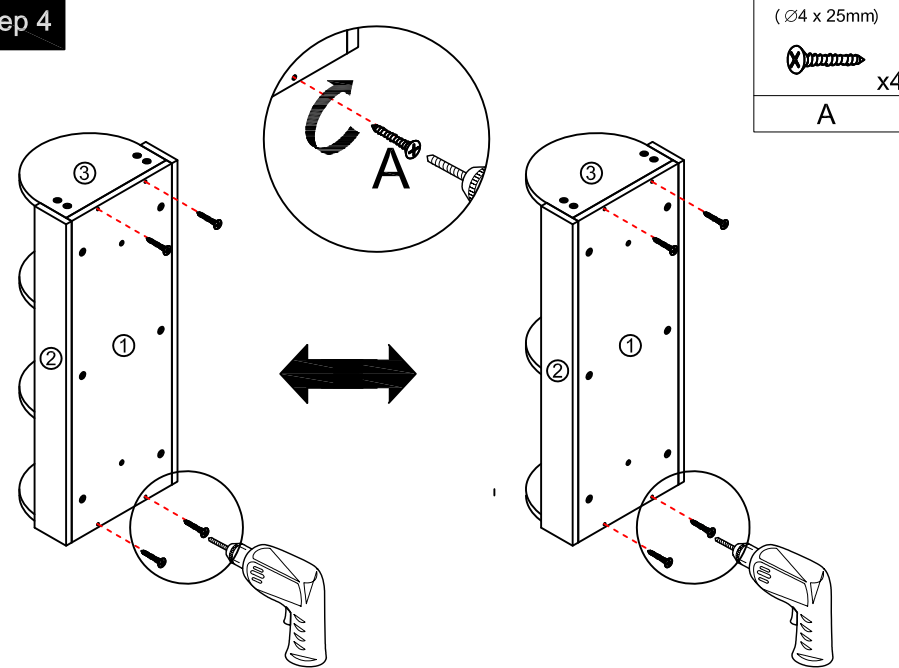
Step 3



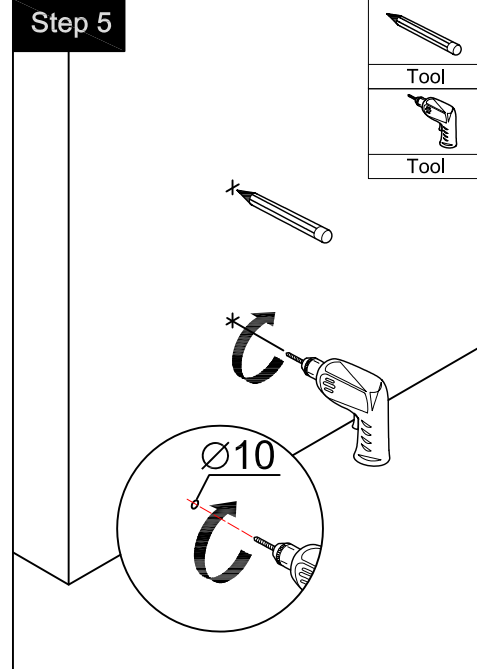
Three layer side cabinet

Two layer side cabinet

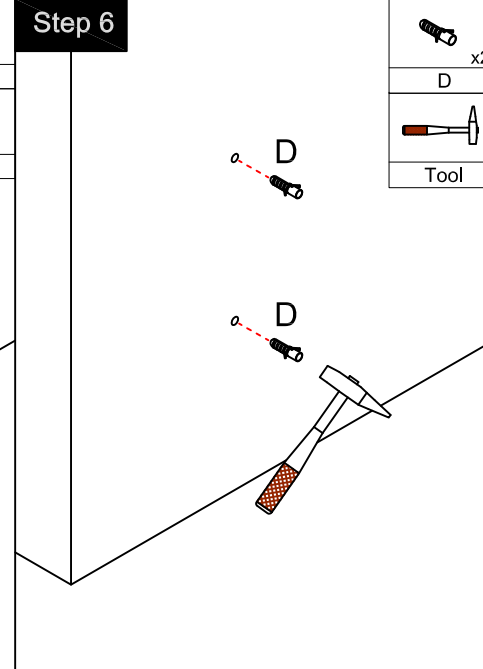
Step 4



Step 5

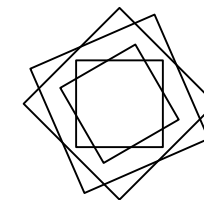
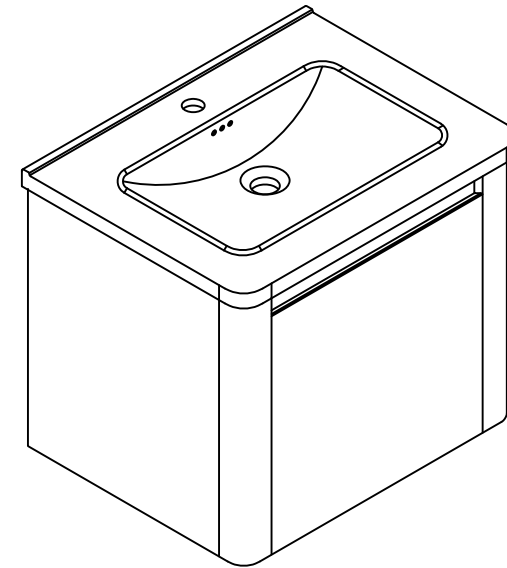


Step 6



THANKS FOR WATCHING

Your feedback is invaluable to us and we would love to hear about your experience. Please take the time to leave us a review.






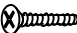








Thank you for shopping with us!

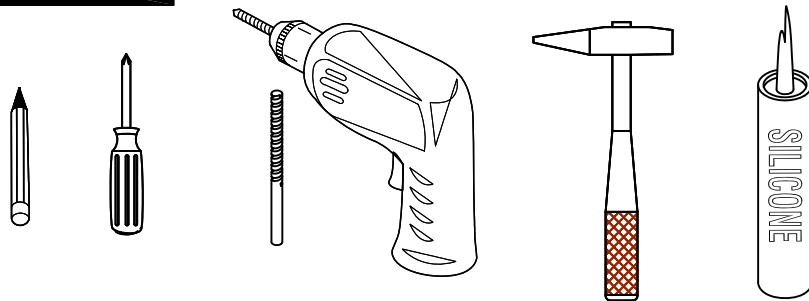
We encourage you to take a few minutes to go through this booklet. It contains important information on installation and care tips to keep your furniture looking as good as new.

Item NO.:BV H12124

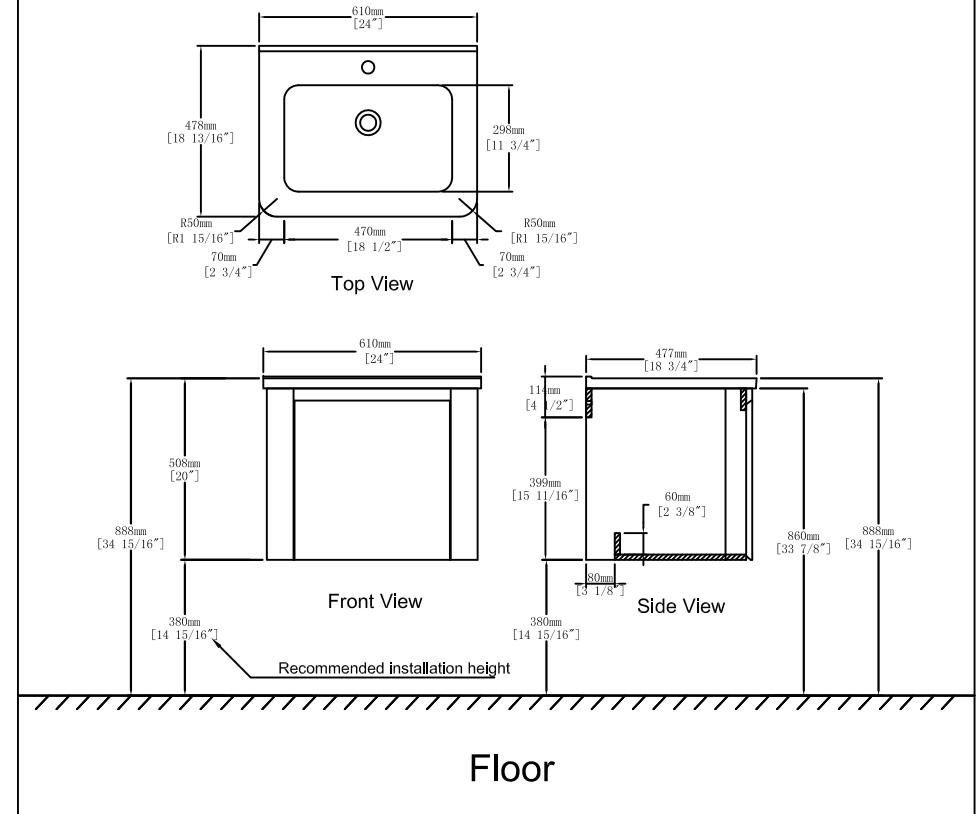
Hardware

NO.	Draw	QTY	NO.	Draw	QTY
A	 Screws Ø4x14mm	32	H	 Bracket (19x19x35mm)	2
B	 Two-in-one connector	17	I	 Hinges(Internal hiding)	2
C	 Two-in-one connector	17	J	 Screws Ø4x25mm	6
D	 Wood plug	4	K	 Anti-collision gasket	2
E	 Plastic anchor(Ø10mm)	2	L	 Screwdriver	1
F	 Screws for fix on the wall	2			
G	 Bracket (53x70x44mm)	2			

Recommended tools



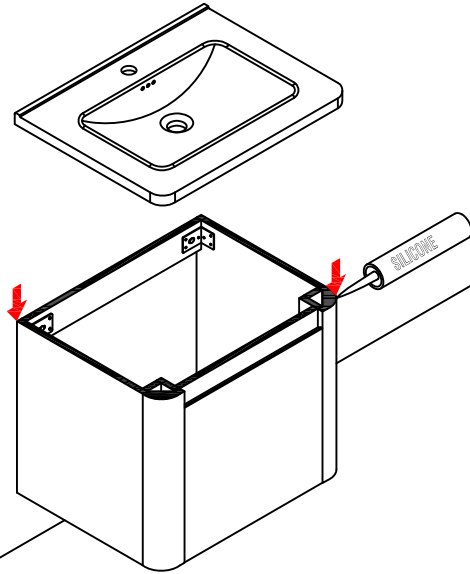
Dimensions



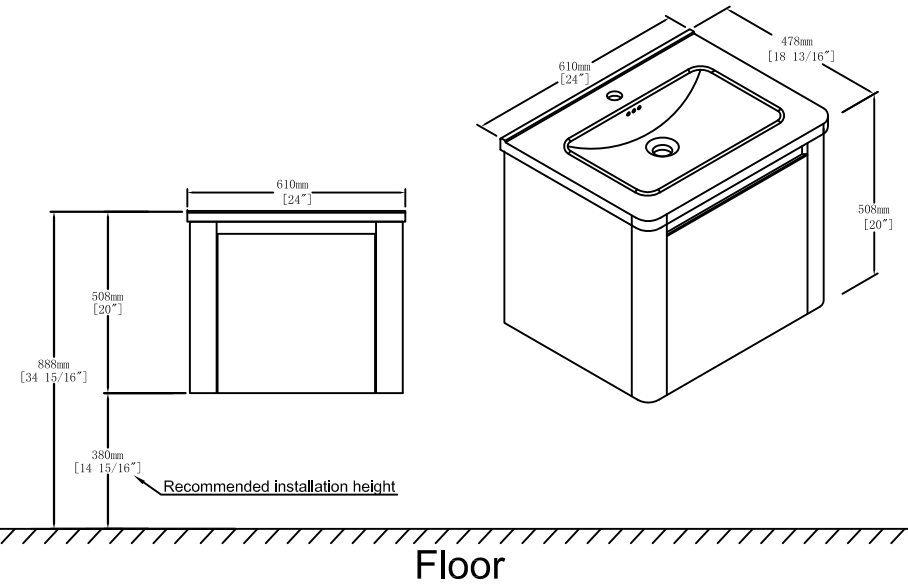
CARE CLEANING AND MAINTENANCE

1. Dust regularly with a soft , dry cloth.
2. Avoid the use of all chemicals household cleaners, abrasives, or cleaners that contain lemon, vinegar, or other acids that may damage the finish.
3. Excessive exposure to sunlight and extreme changes in temperature and moisture can damage wood furniture.
4. The sink is fragile, please pay attention to maintaining its appearance.
5. Do not place hot appliances, such as curling irons and hot hair dryers directly on the countertop. Wipe spills immediately.

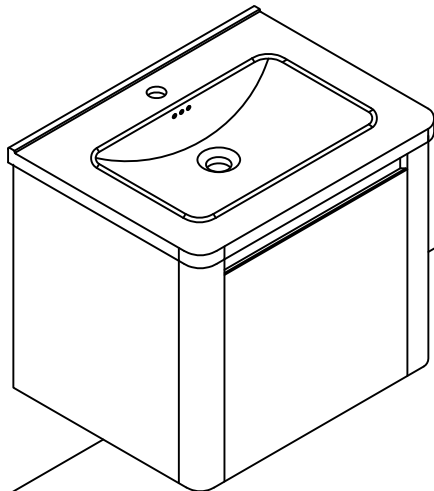
Step 13



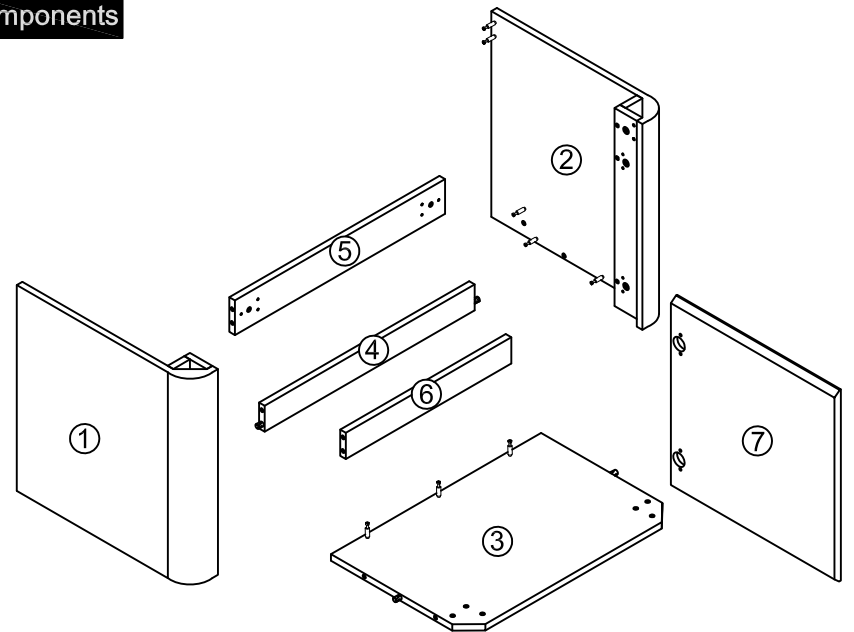
Dimensions

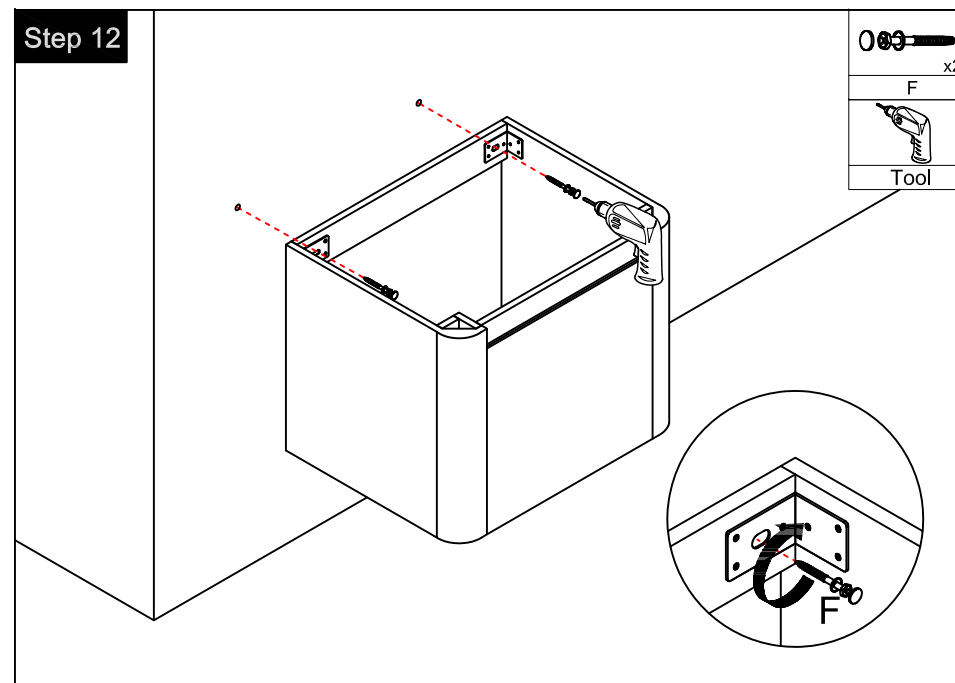
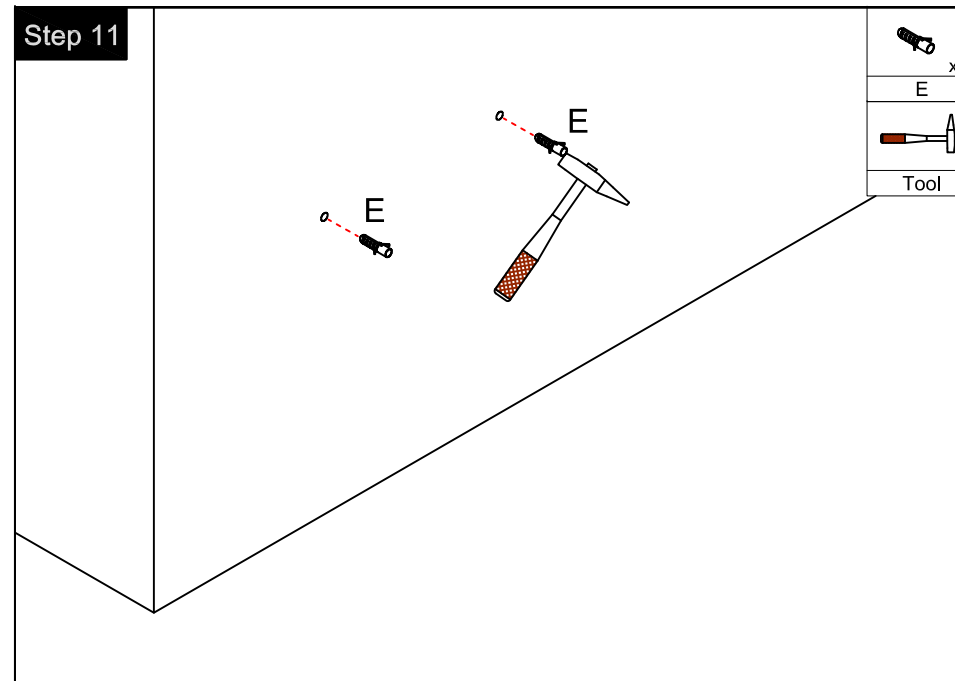
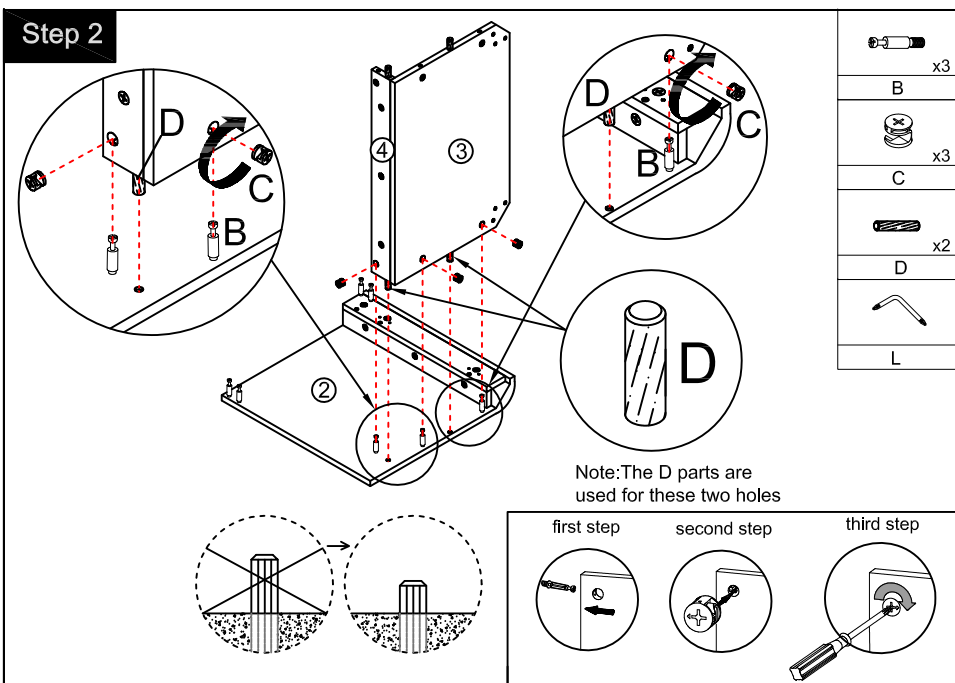
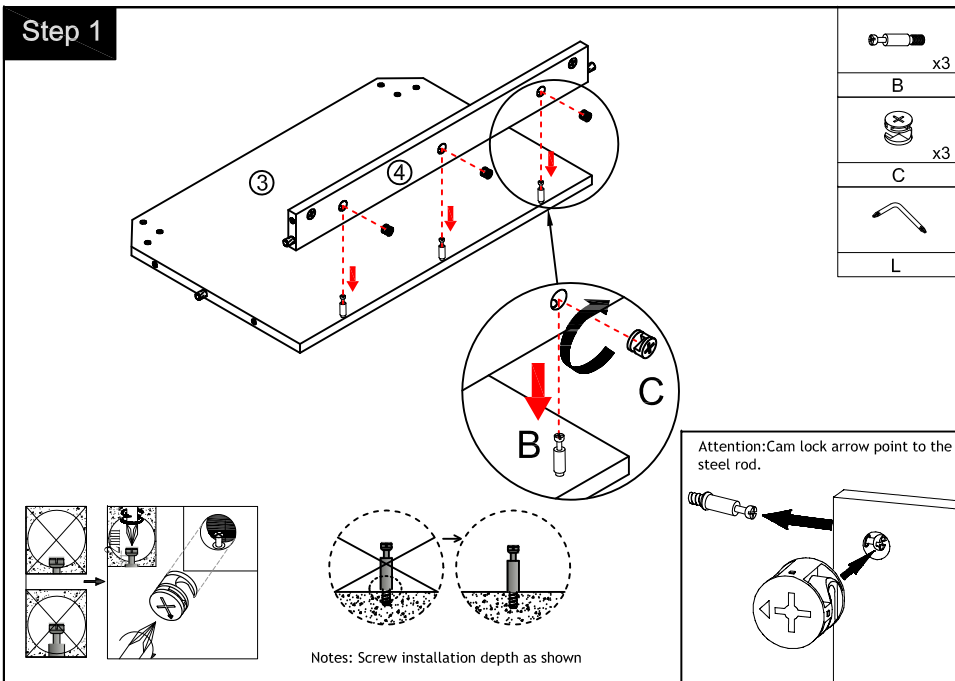


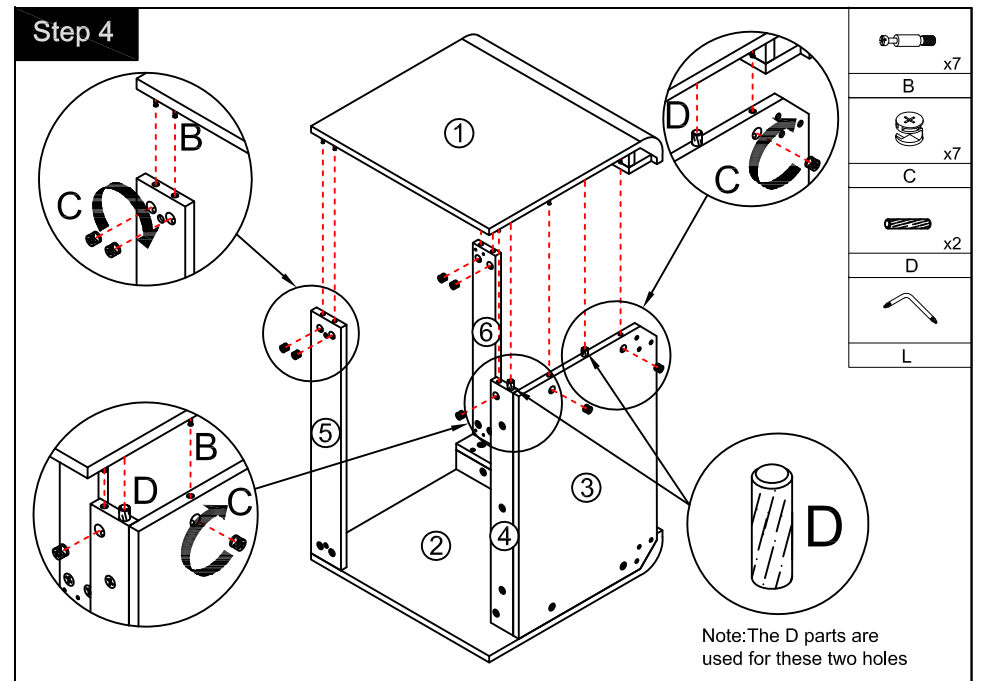
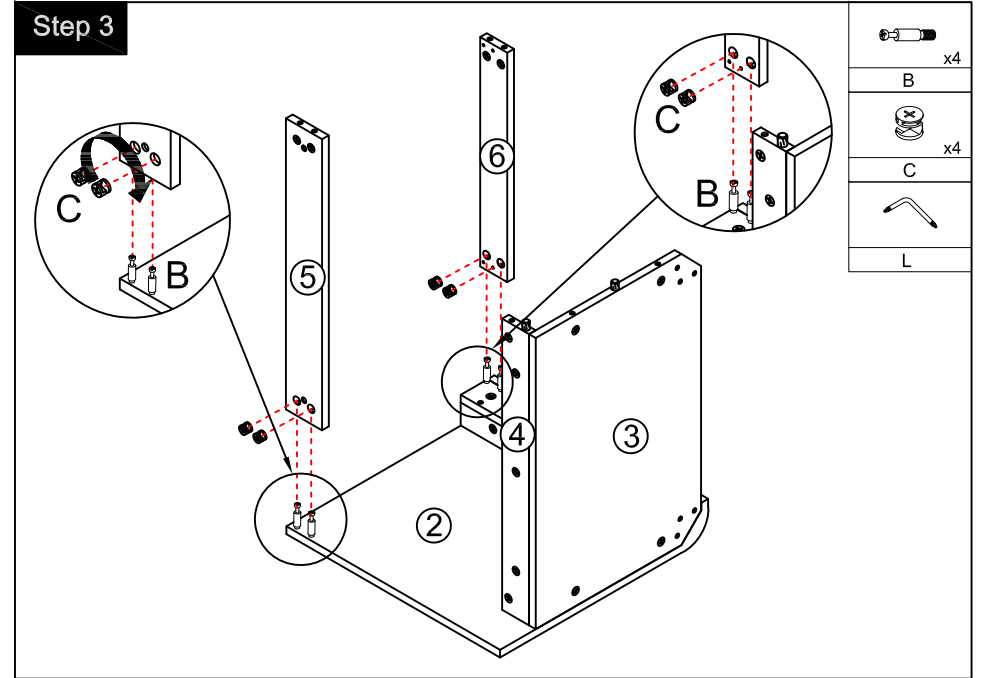
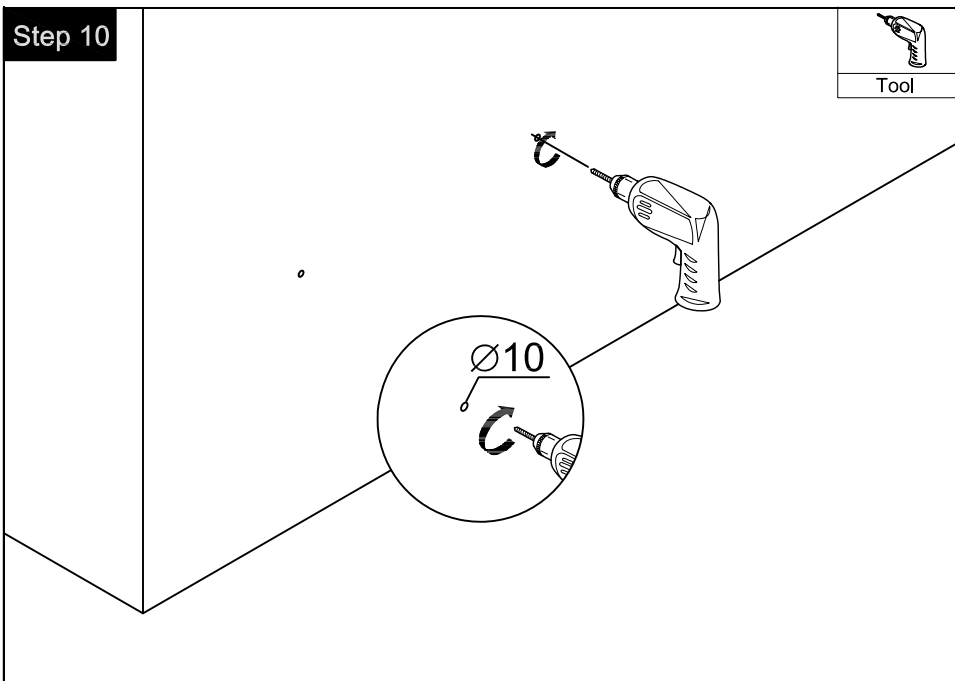
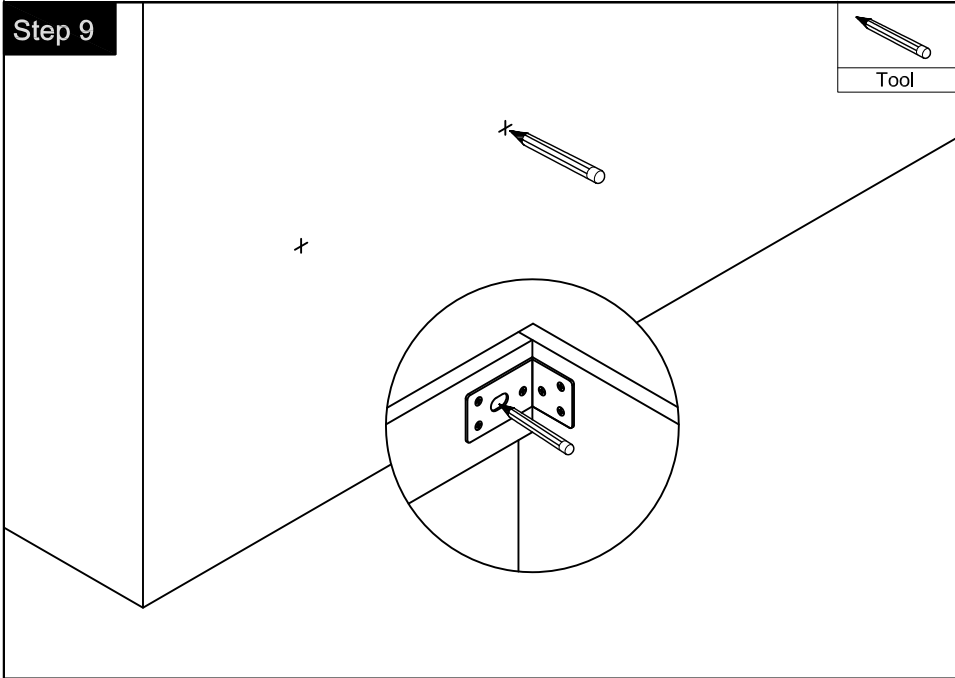
Finished



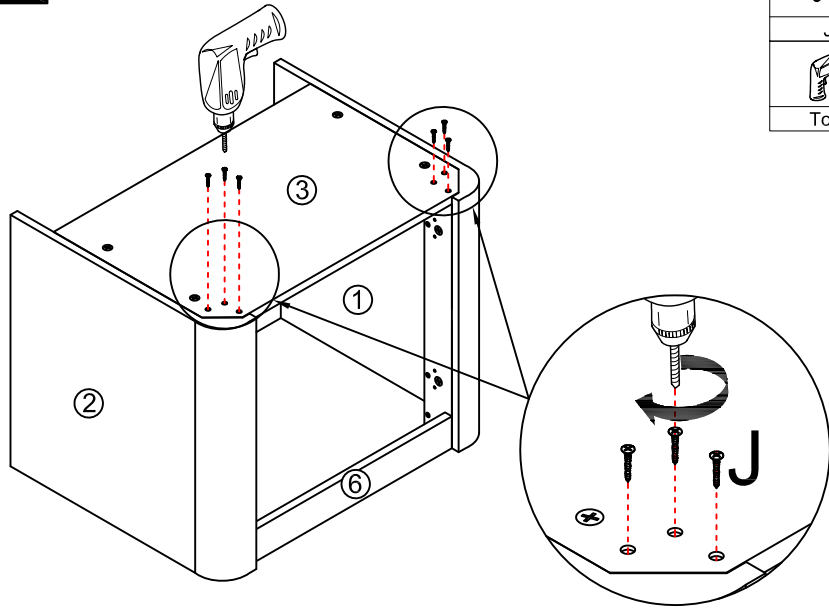
Components





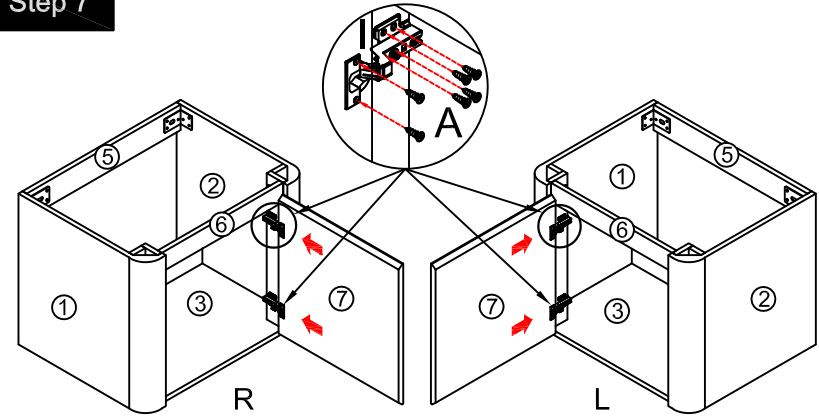


Step 5



- ($\varnothing 4 \times 25\text{mm}$)
J x6
- J
- Tool

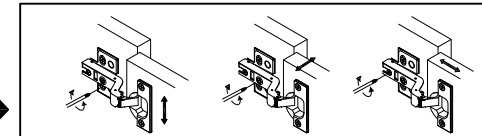
Step 7



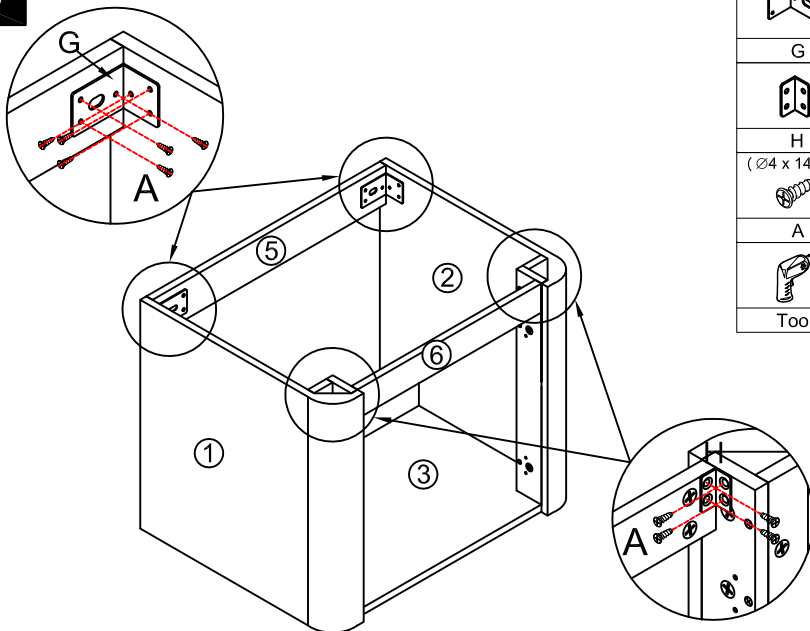
- I x2
- ($\varnothing 4 \times 14\text{mm}$)
A x12
- A
- Tool

Note: The opening direction of the door panel can be installed as left or right according to one's own needs.

You can adjust the doors by tightening or loosening the screws on the hinge. →

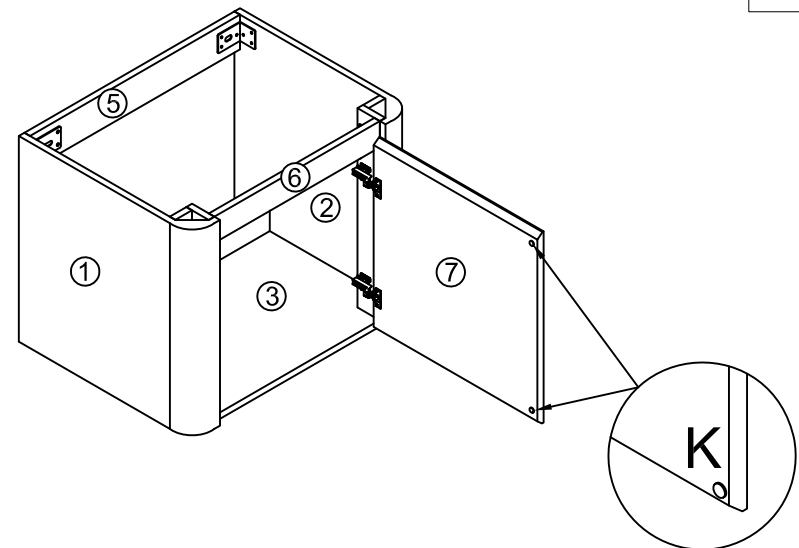


Step 6



- G x2
- G
- H x2
- ($\varnothing 4 \times 14\text{mm}$)
A x20
- A
- Tool

Step 8



- K x2
- K