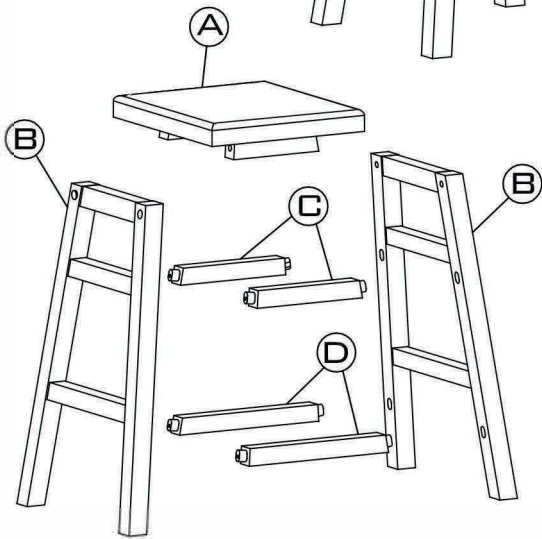


CHAIR & TABLE COMPANY

Thank you for purchasing a Chair & Table Company product. This product has been designed for easy assembly and is constructed for durability. Please take this time to read and follow the assembly instructions carefully. If a part or hardware is missing or you have any difficulties in assembling this product, please contact us.


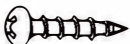


ASSEMBLY INSTRUCTIONS TAVERN STOOL



PARTS CHECK LIST

CODE	COMPONENTS	QTY
(A)	STOOL TOP	x01
(B)	LEG ASSEMBLY	x02
(C)	SHORT STRETCHER	x02
(D)	LONG STRETCHER	x02

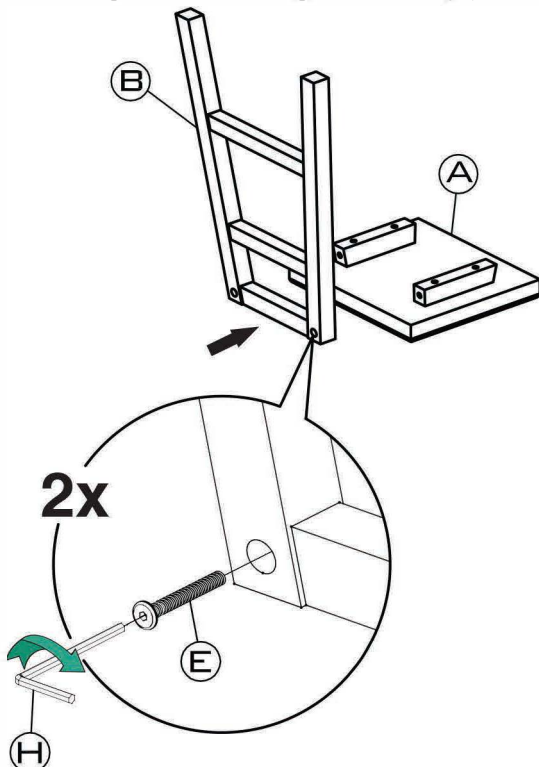
FITTINGS CHECK LIST

CODE	DESCRIPTION	QTY
(E)		x04
(F)		x08
(G)		x04
(H)		x01

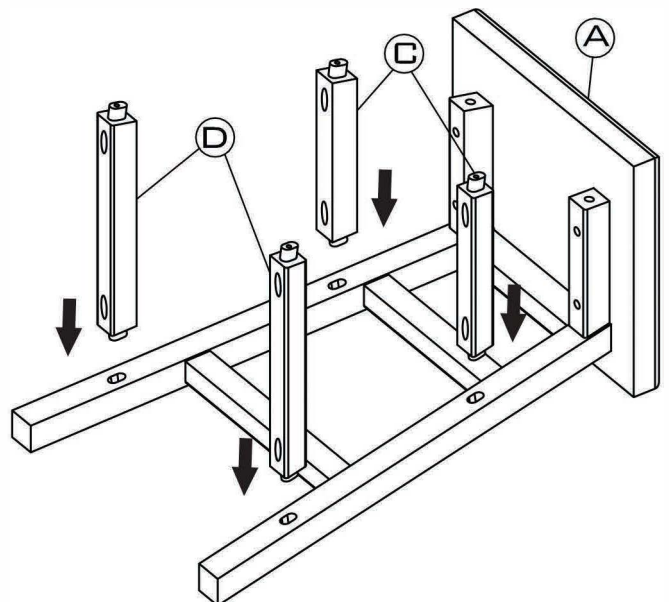


PHILLIPS HEAD SCREWDRIVER
TOOL NEEDED (NOT INCLUDED)

- 1.** Place stool top (A) upside down on a non-abrasive surface. Attach one leg assembly (B) to the rails on the stool top (A), using hexagonal bolts (E) to tighten on each side.
Do not tighten the hexagonal bolts (E) all the way.

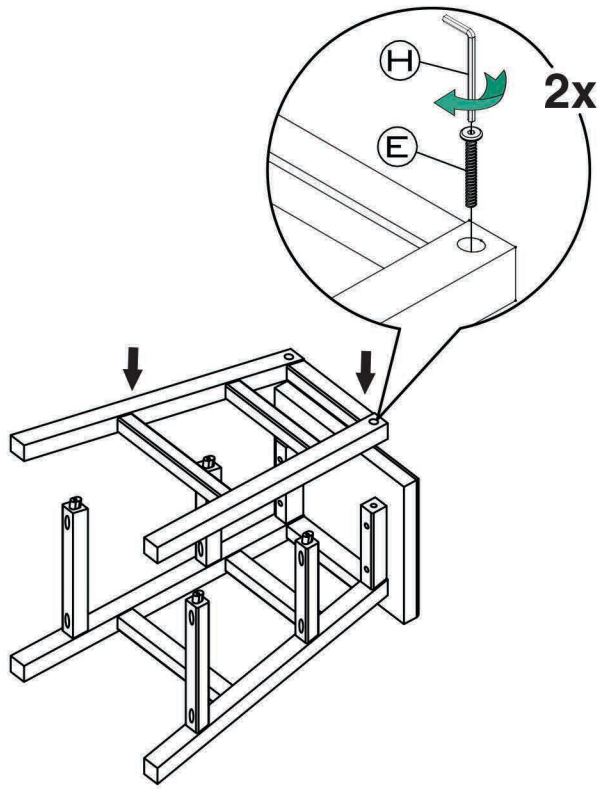


- 2.** Insert the short stretchers (C) into the upper part of leg assembly (B) as shown.
Note: the shorter side of stretchers must face the top.
- Insert the long stretchers (D) into the bottom part of leg assembly (B) as shown.
Note: the shorter side of stretchers must face the top.



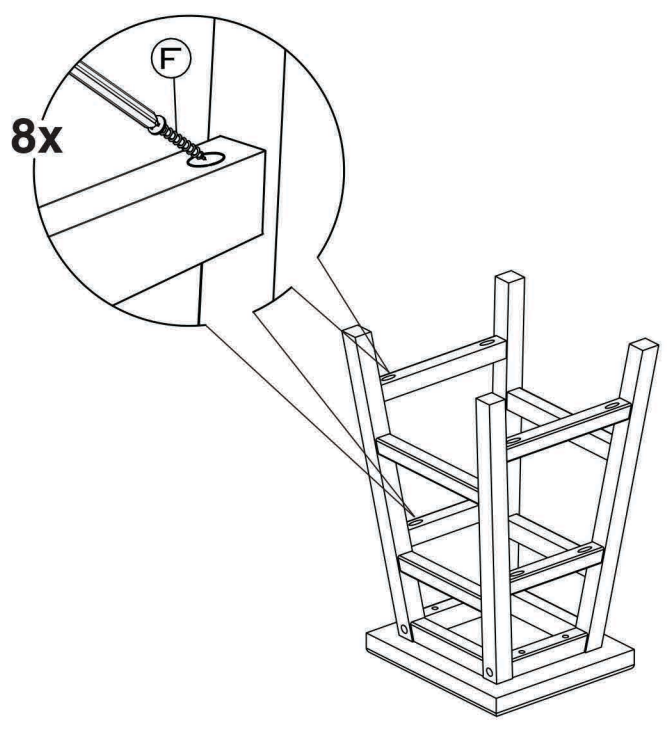
3. Attach the second leg assembly (B) to stool top (A), short stretchers (C) and long stretcher (D).

Insert hexagonal bolts (E) on both sides of leg assembly (B) to connect to top seat rails. Tighten slightly.
Do not tighten the hexagonal bolts (E) all the way.



4. Place the stool upside down. Insert the screws (F) through all the stretcher holes located on the underside of all stretchers (C and D), as shown. Tighten all screws all the way so there is firm connection between the stretchers and leg assemblies.

When completed, tighten 100% all 4 hexagonal bolts (E) used in the assembly of this product.



5. Insert wood buttons.
Assembly is complete.

