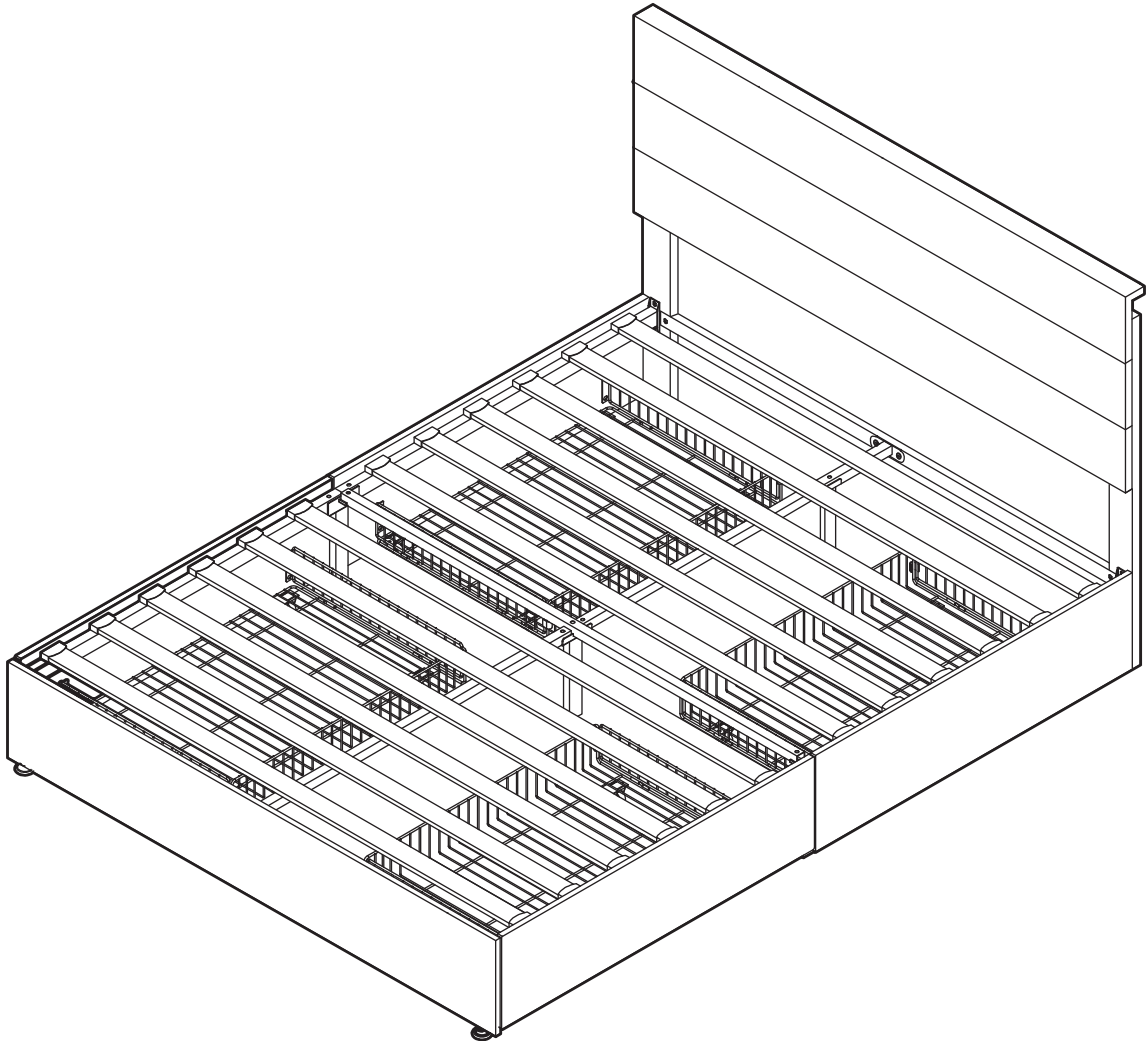


PLATFORM BED

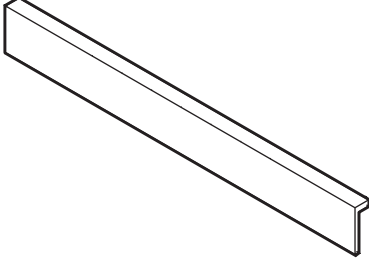
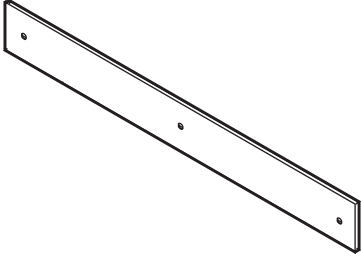
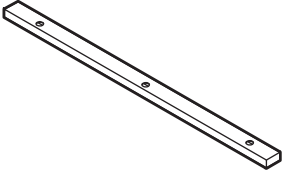
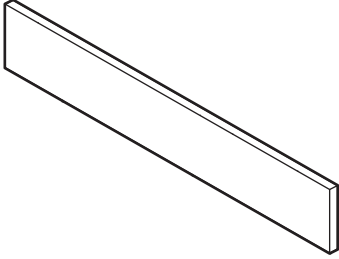
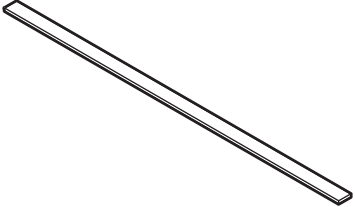
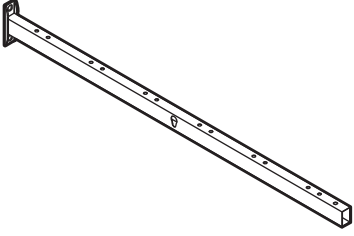
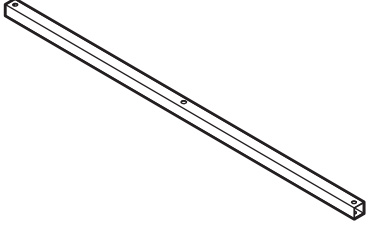
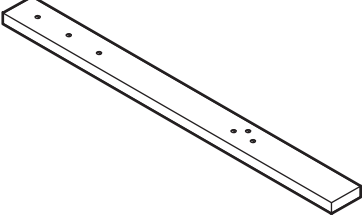
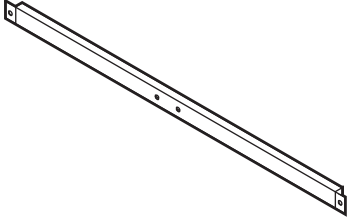
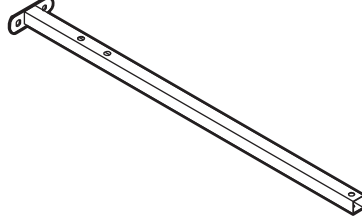
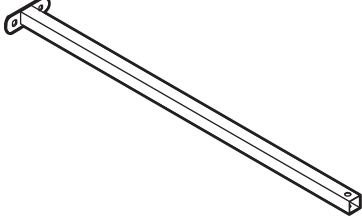
ORIGINAL INSTRUCTION MANUAL

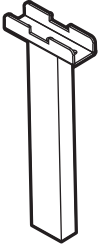
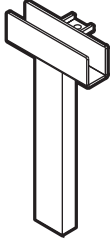
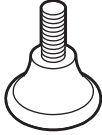
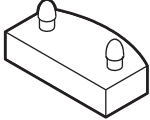
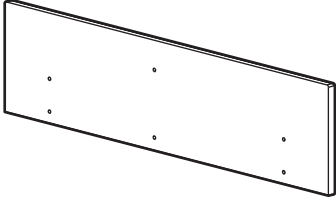
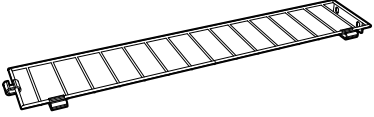
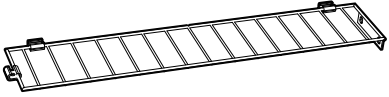
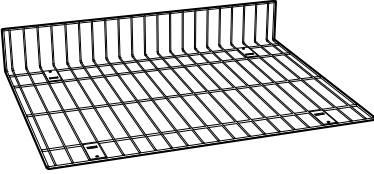
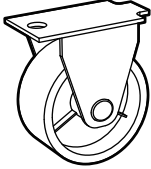
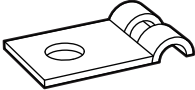
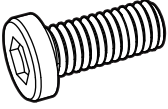
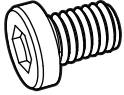
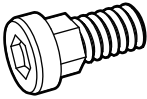
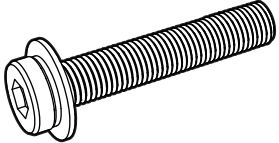
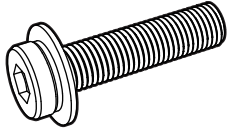
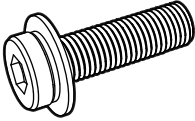




DEAR CUSTOMER,

Thank you for choosing our product. Please read this manual carefully before assembling or using the product, to avoid damage caused by improper use. If the product is passed on to third parties, this manual has to be passed on along with the product. For any question don't hesitate to contact us.

PARTS LIST

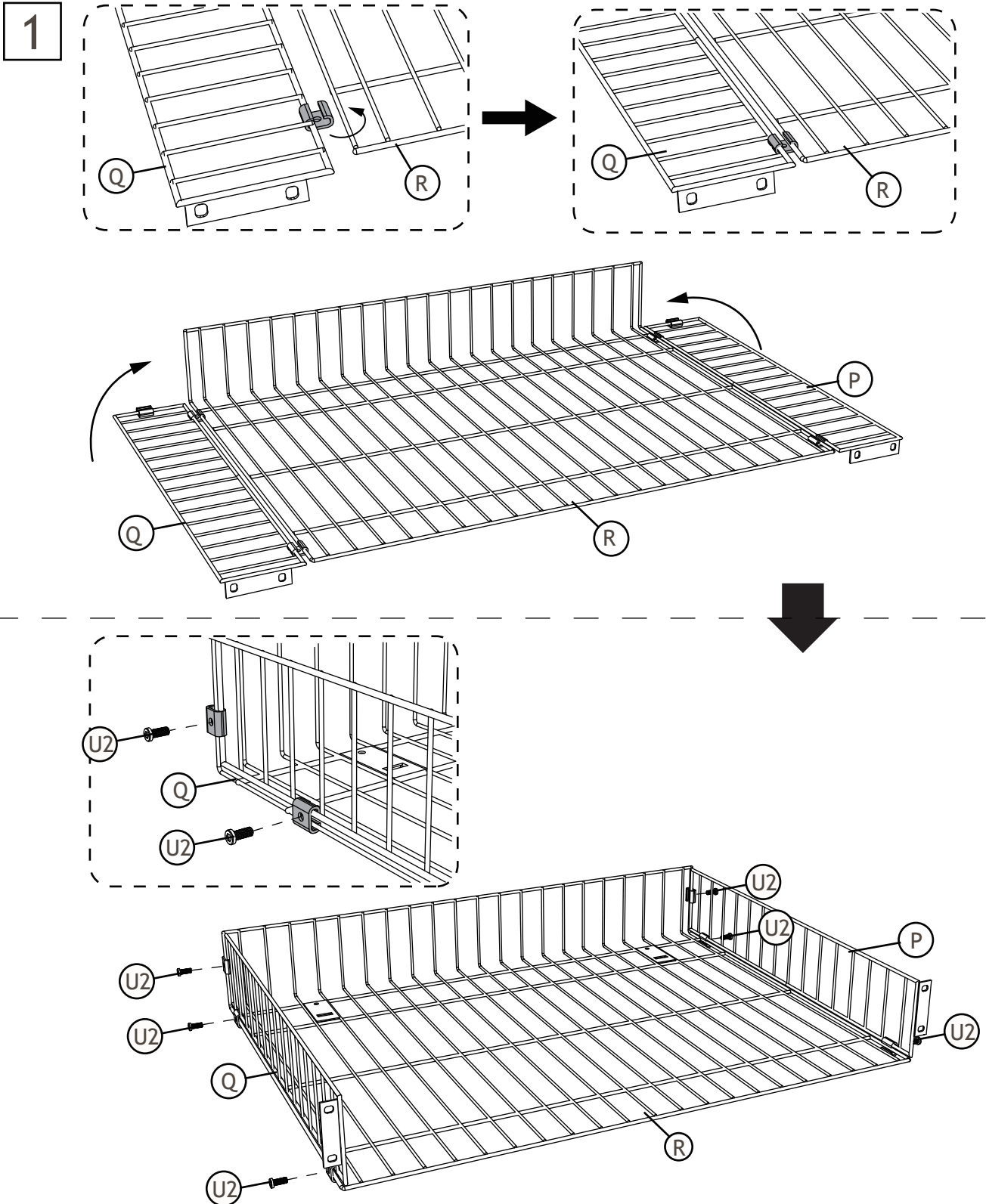
<p>A</p> 	<p>1×</p>	<p>A1</p> 	<p>2×</p>
<p>A2</p> 	<p>1×</p>	<p>B</p> 	<p>1×</p>
<p>C</p> 	<p>12×</p>	<p>D1</p> 	<p>2×</p>
<p>E1</p> 	<p>1×</p>	<p>F1</p> 	<p>1×</p>
<p>G1</p> 	<p>1×</p>	<p>H1</p> 	<p>1×</p>
		<p>H2</p> 	<p>1×</p>

I	2×	J	2×	K	2×
					
L	24×	O1	4×	P	4×
					
Q	4×	R	4×	S	16×
					
T	4×	U1	20×	U2	40×
			M6×15		M6×10
U3	4×	U4	11×	U5	9×
	M6×15		M8×50mm		M8×35mm
U6	14×	U7	1×	U8	1×
	M8×18mm		M4		M5

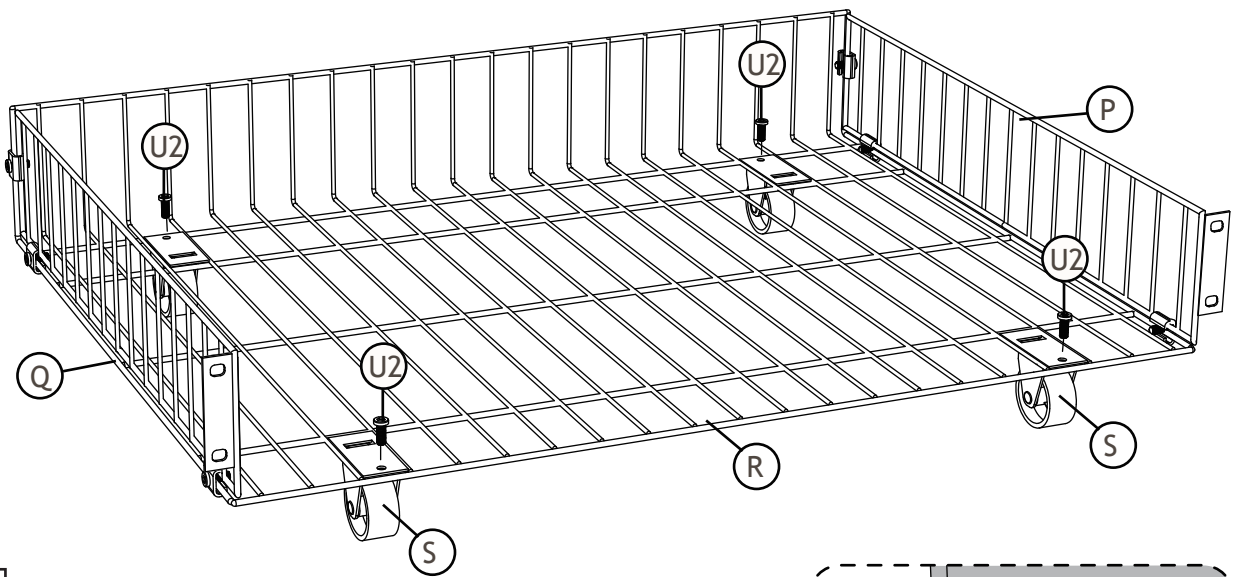
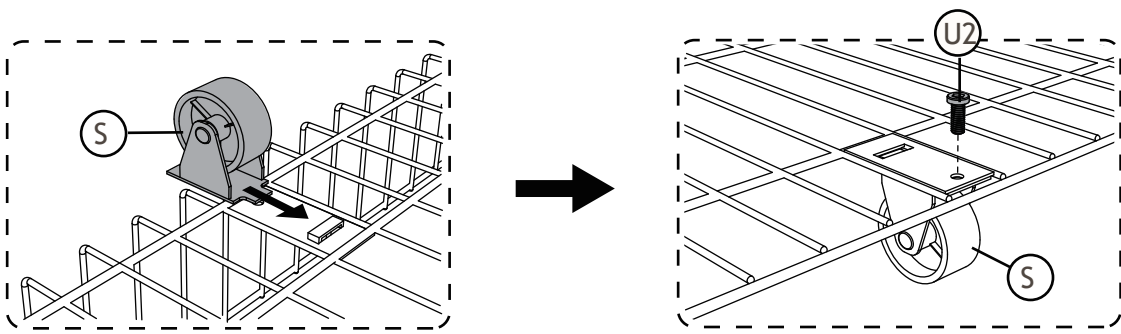
ASSEMBLY

Before your installation, please make sure that you have all the parts listed on the manual. If you find something missing, stop installing and contact your supplier immediately.

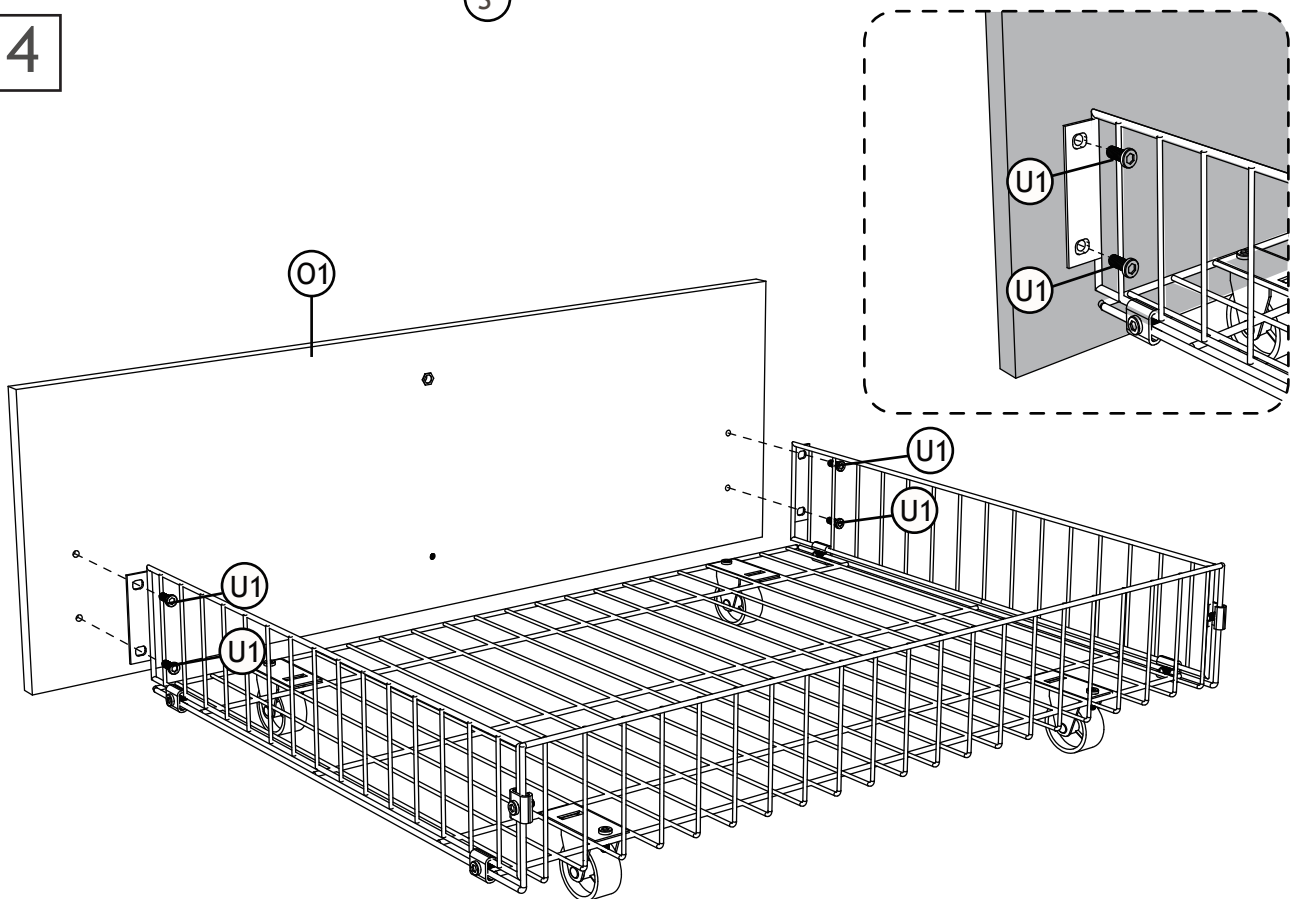
NOTE: Please do not completely tighten all the hardware until the entire assembly is completed!



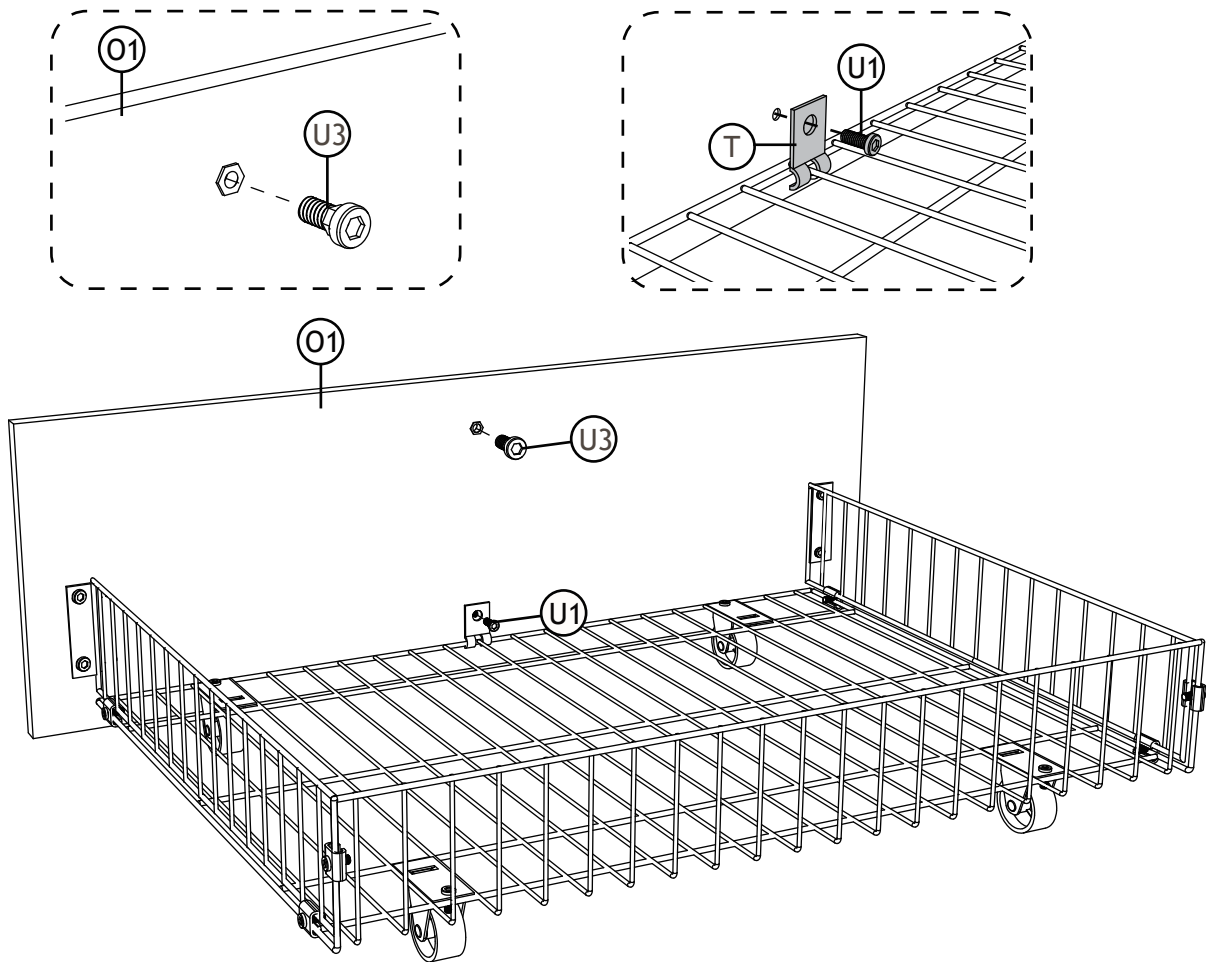
3



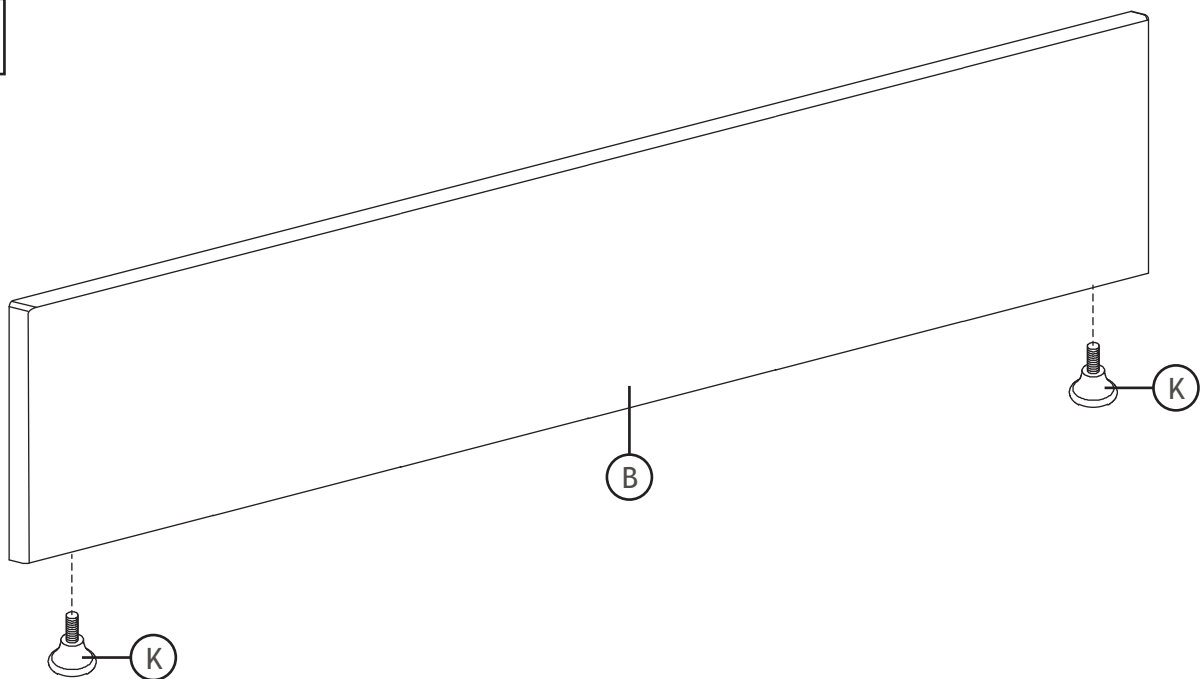
4



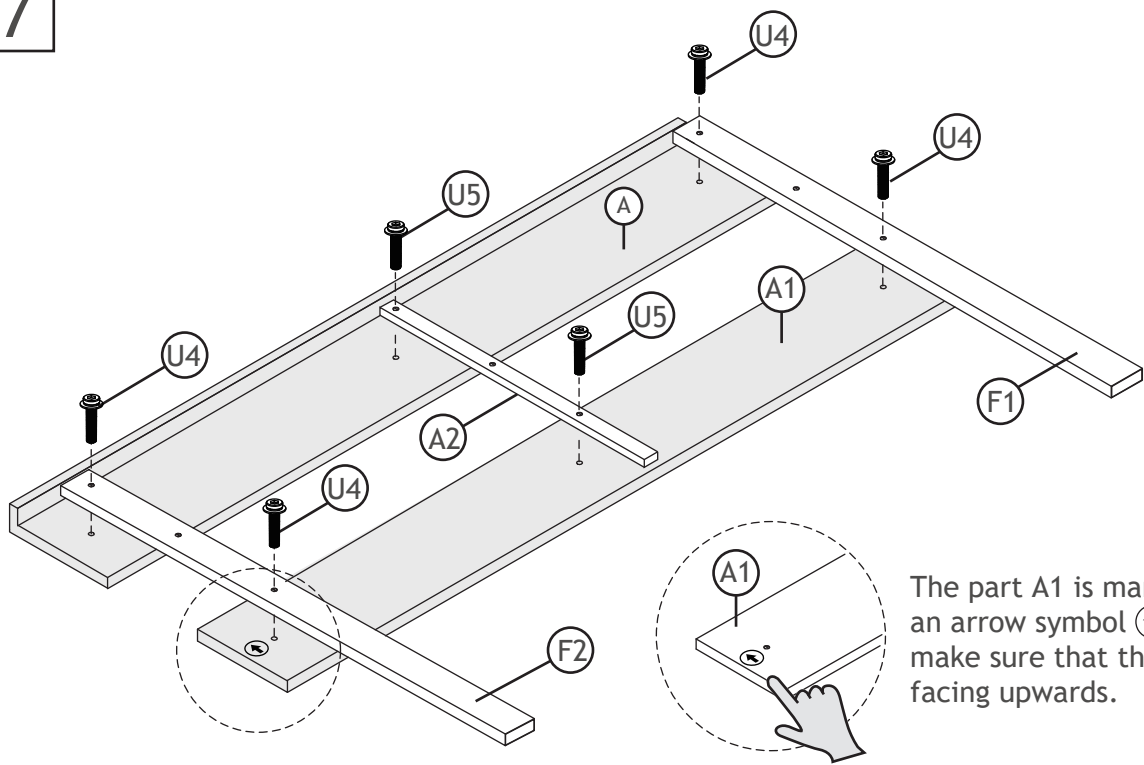
5



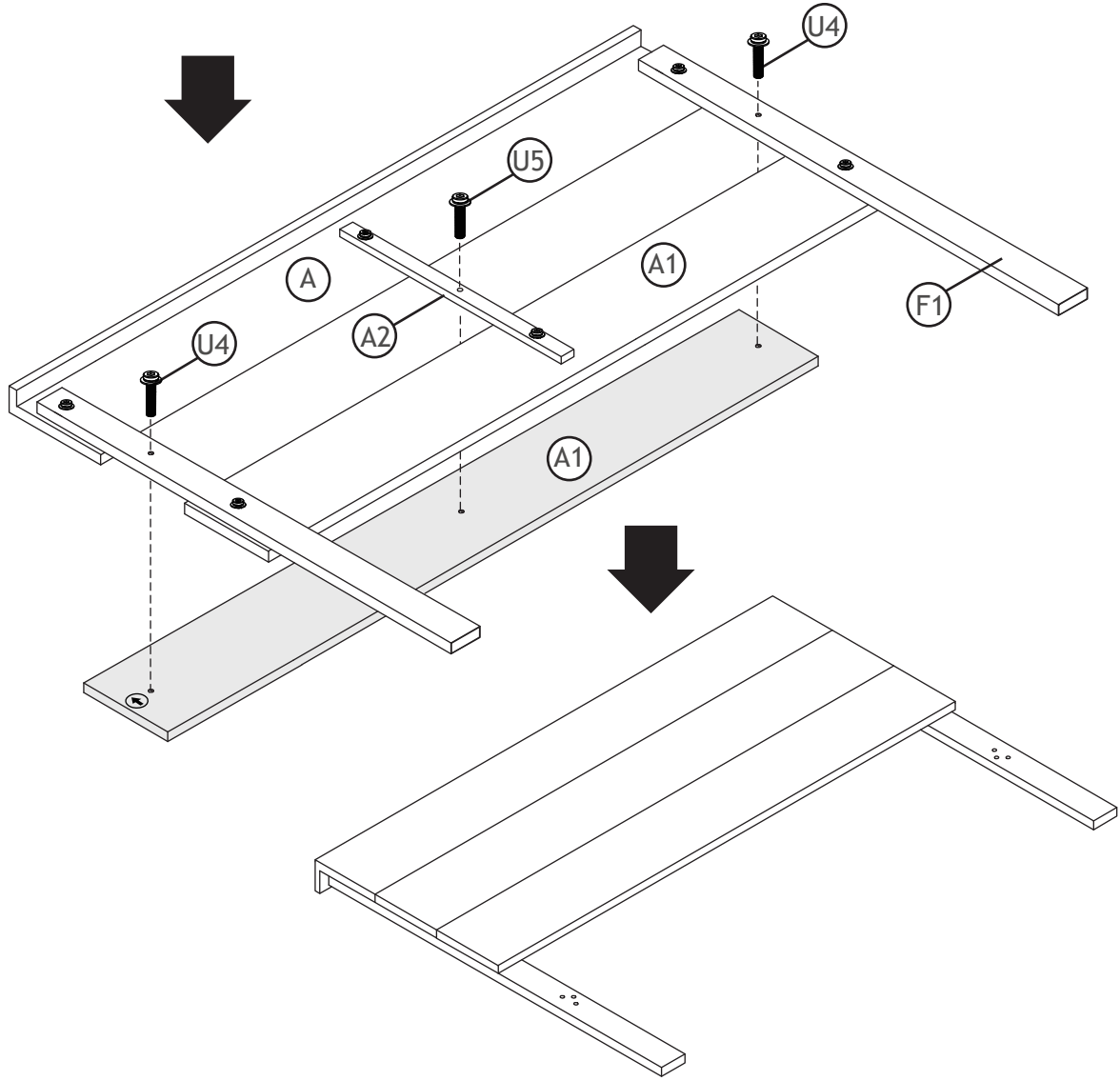
6



7

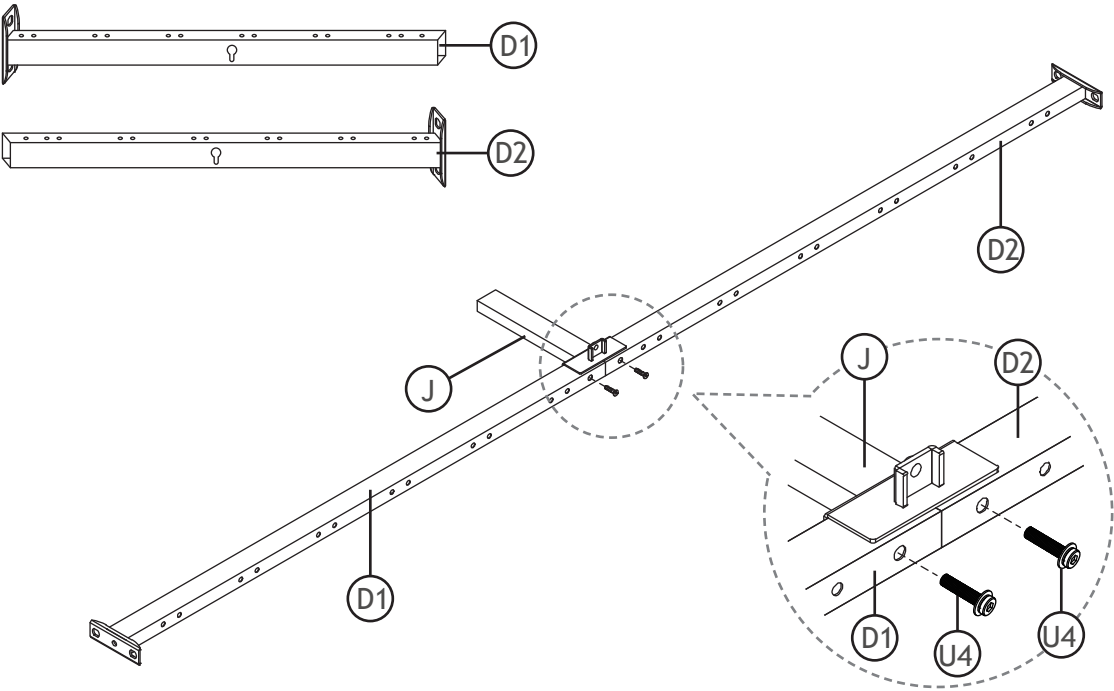


The part A1 is marked with an arrow symbol (↑), please make sure that the arrow is facing upwards.

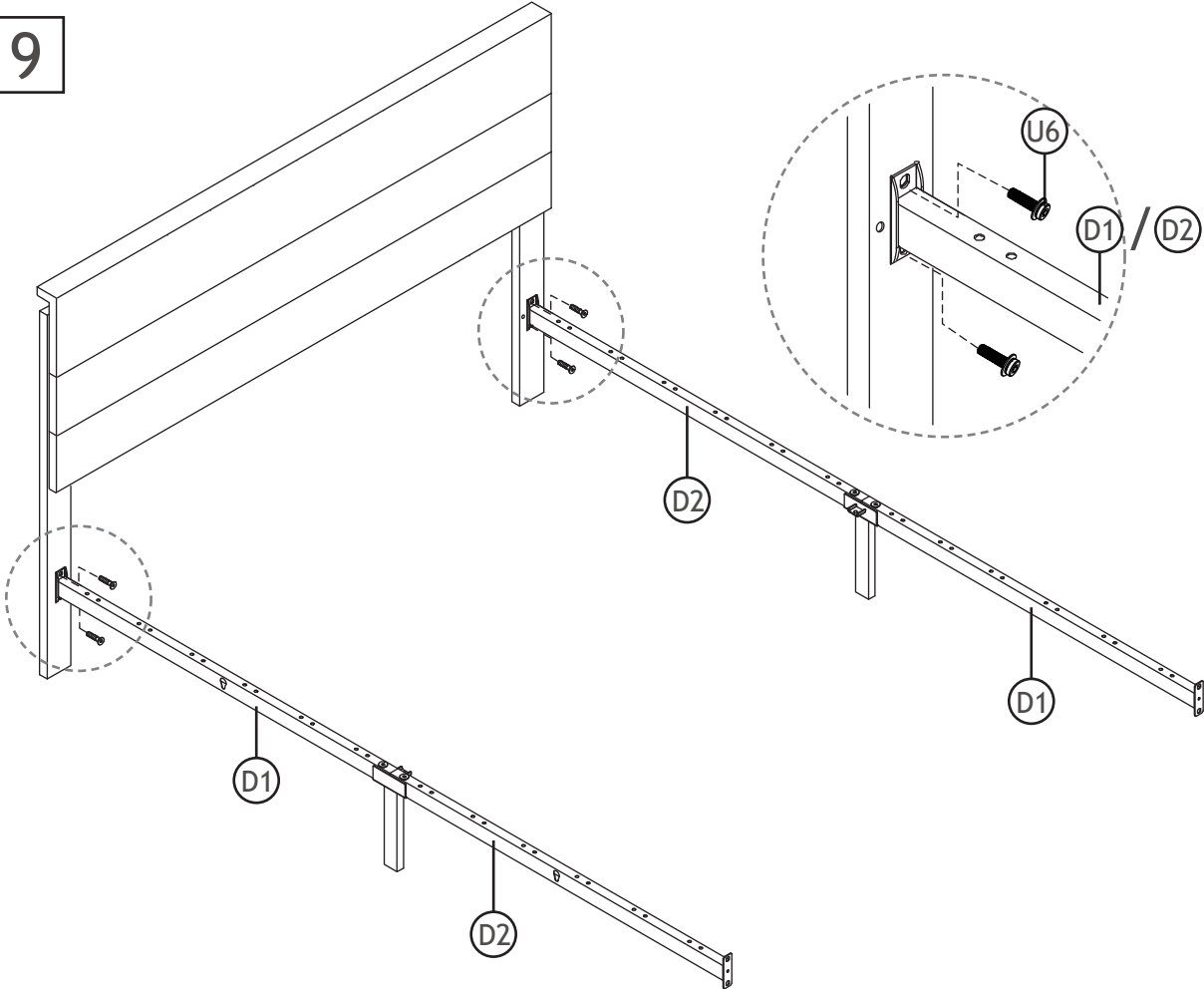


8

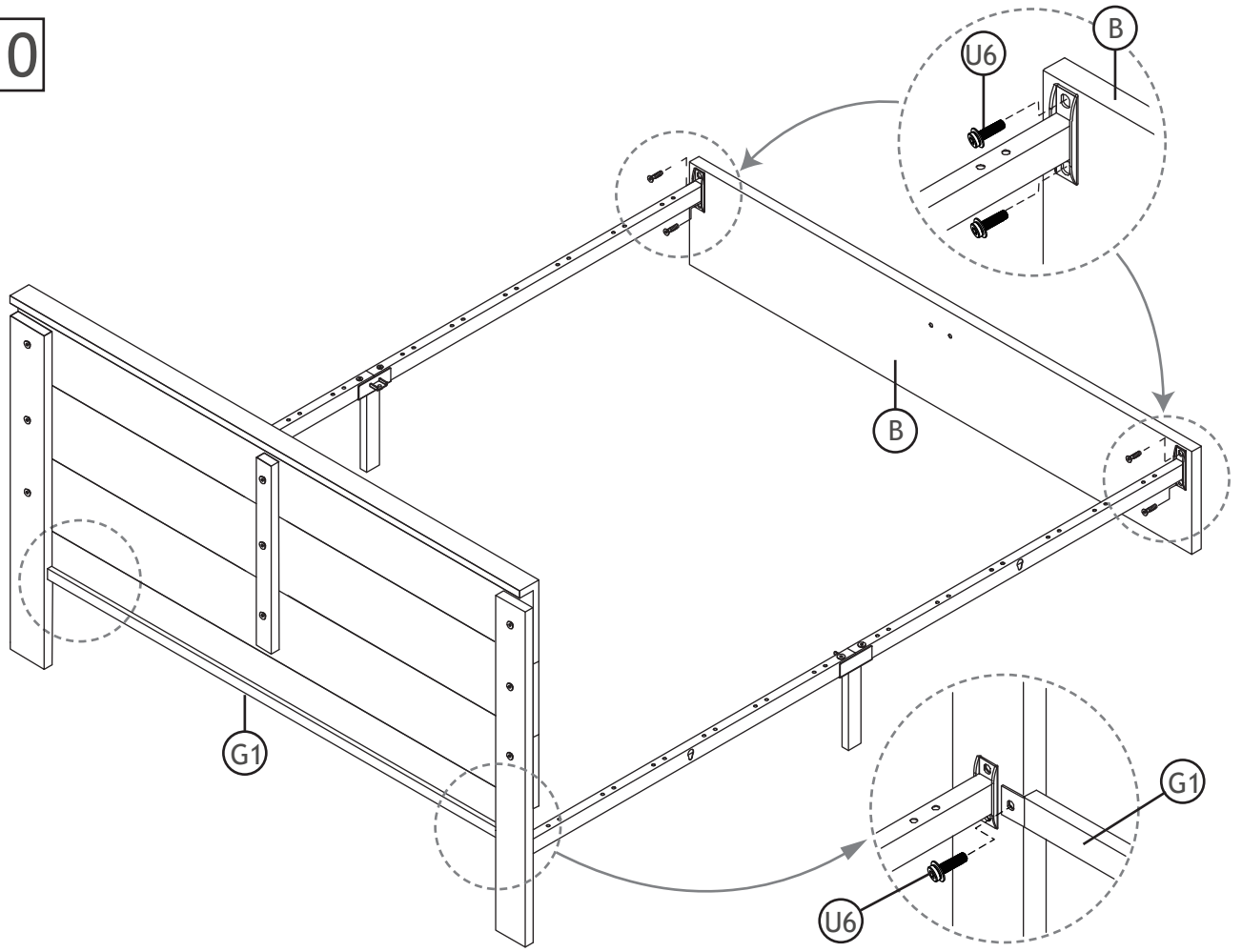
Please do not mix up part D1 & D2.



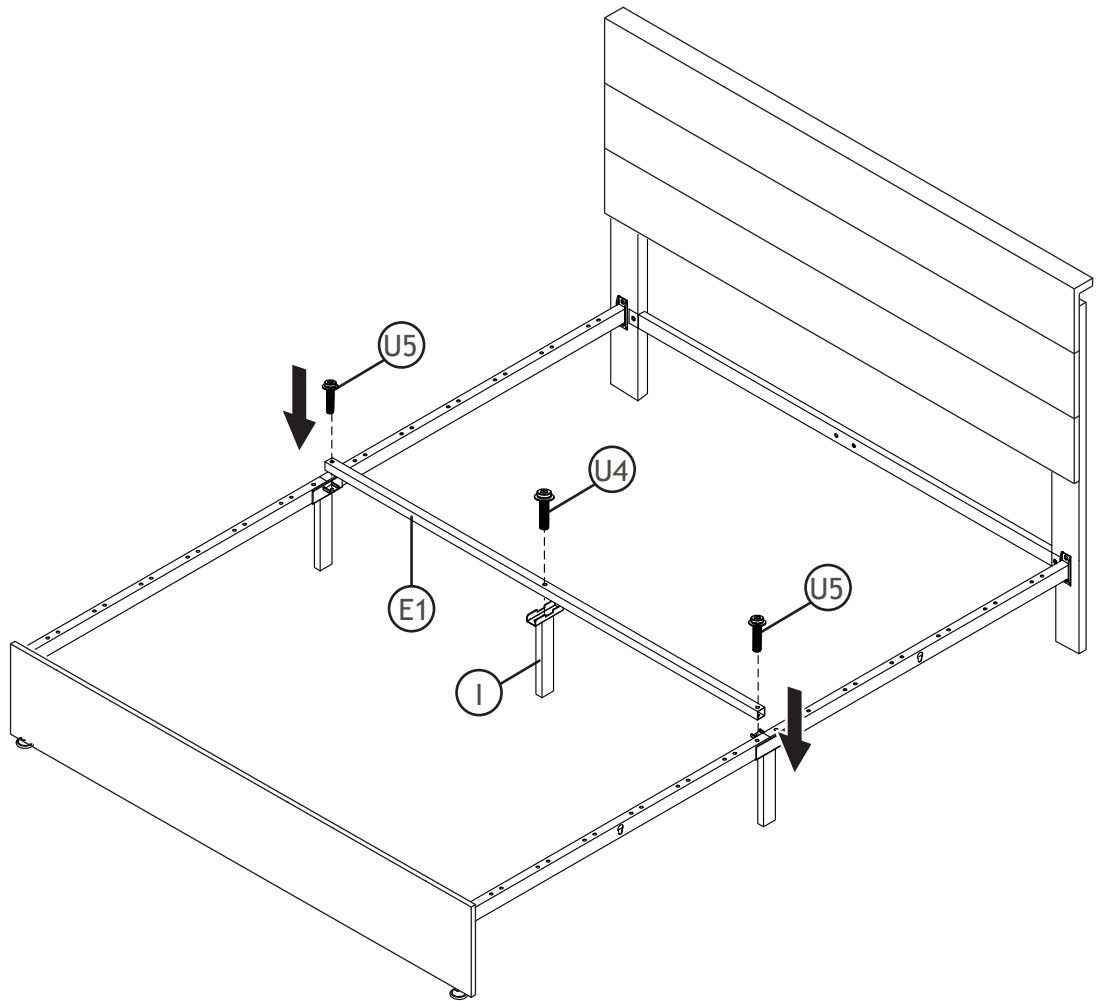
9



10



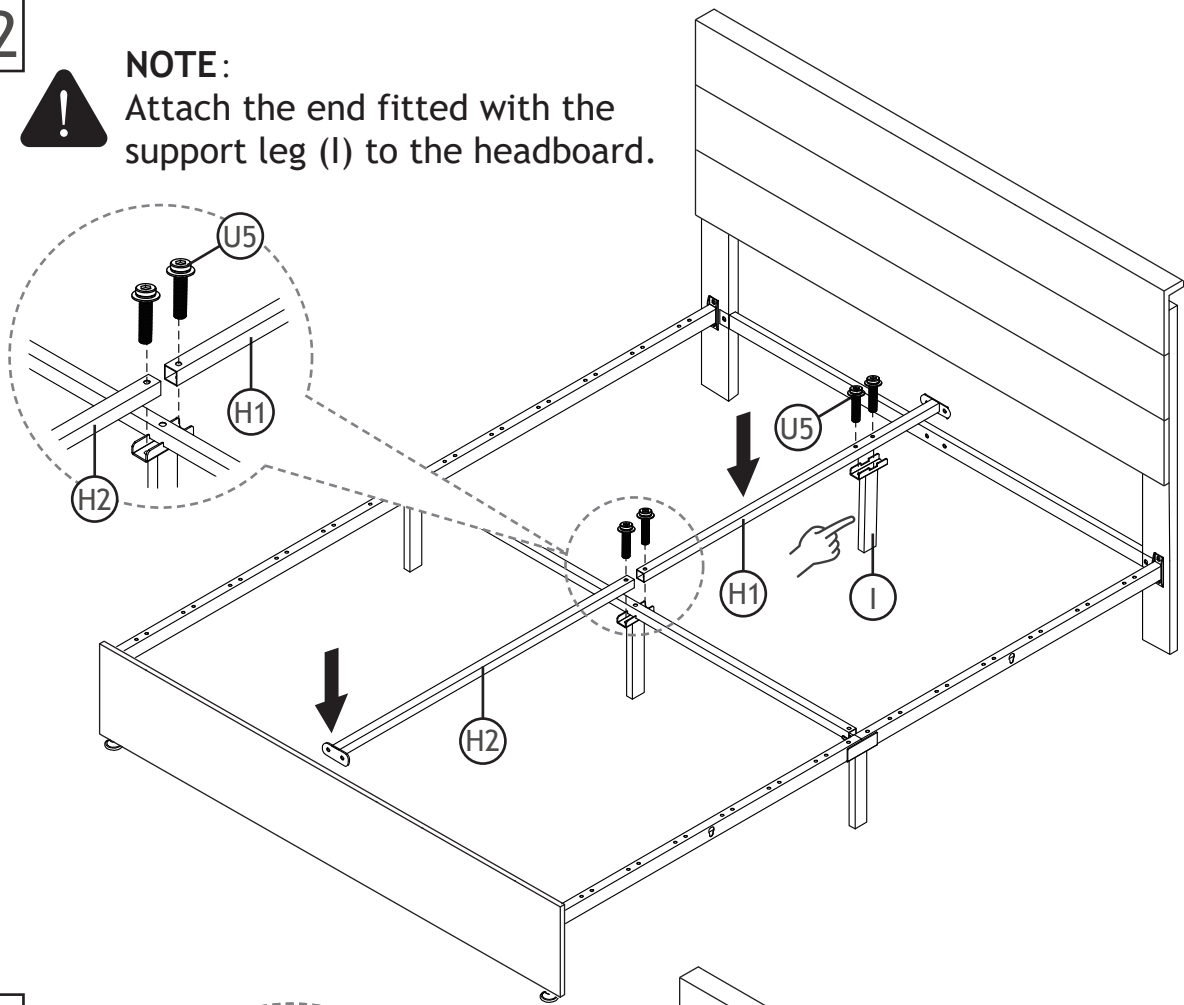
11



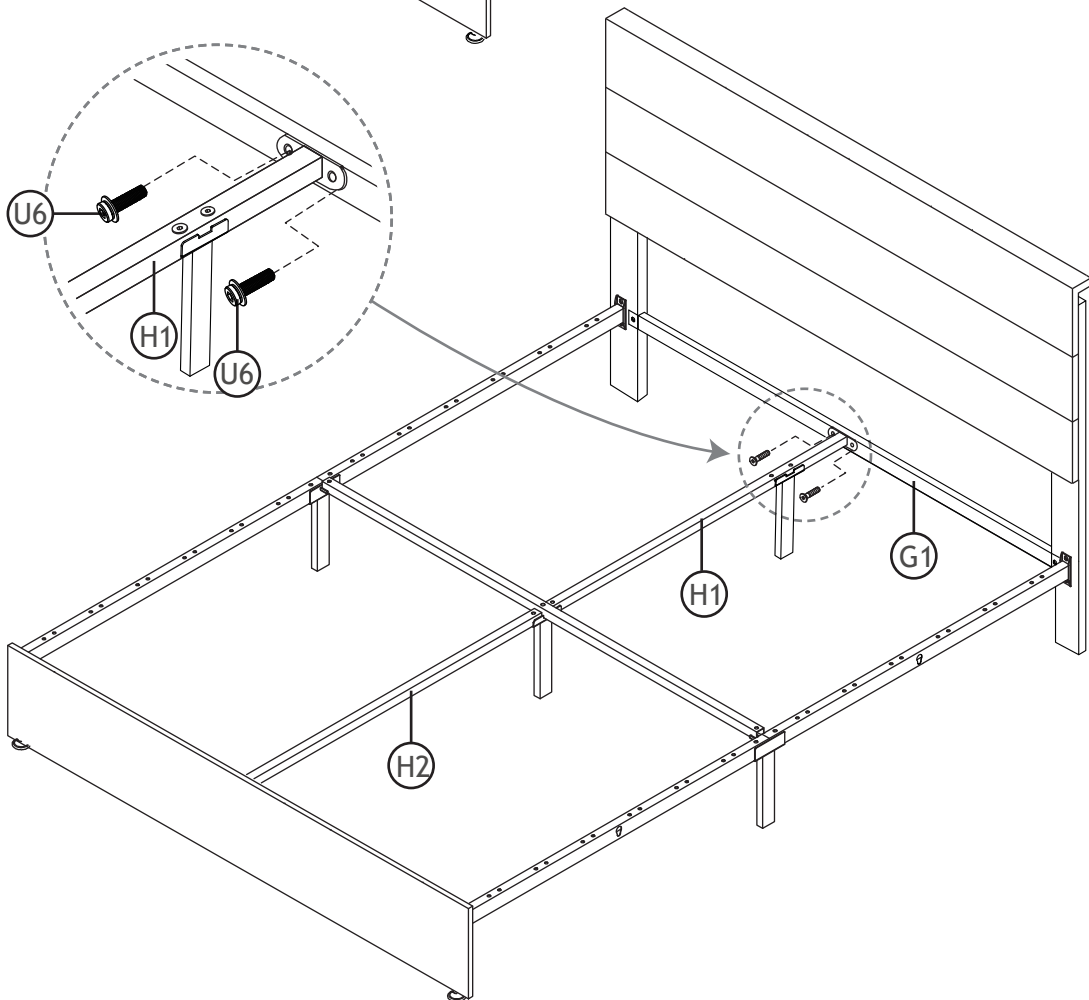
12



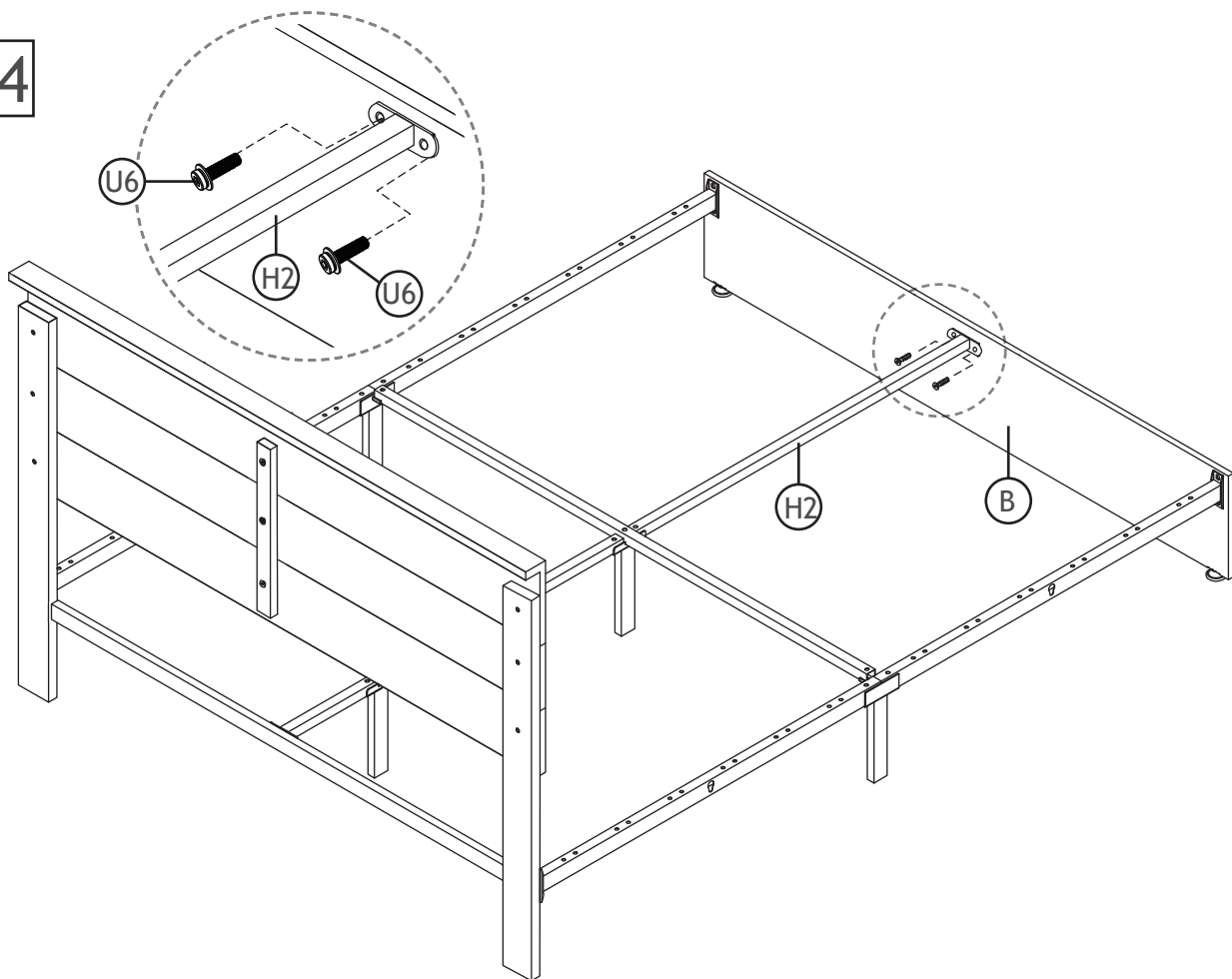
NOTE:
Attach the end fitted with the support leg (I) to the headboard.



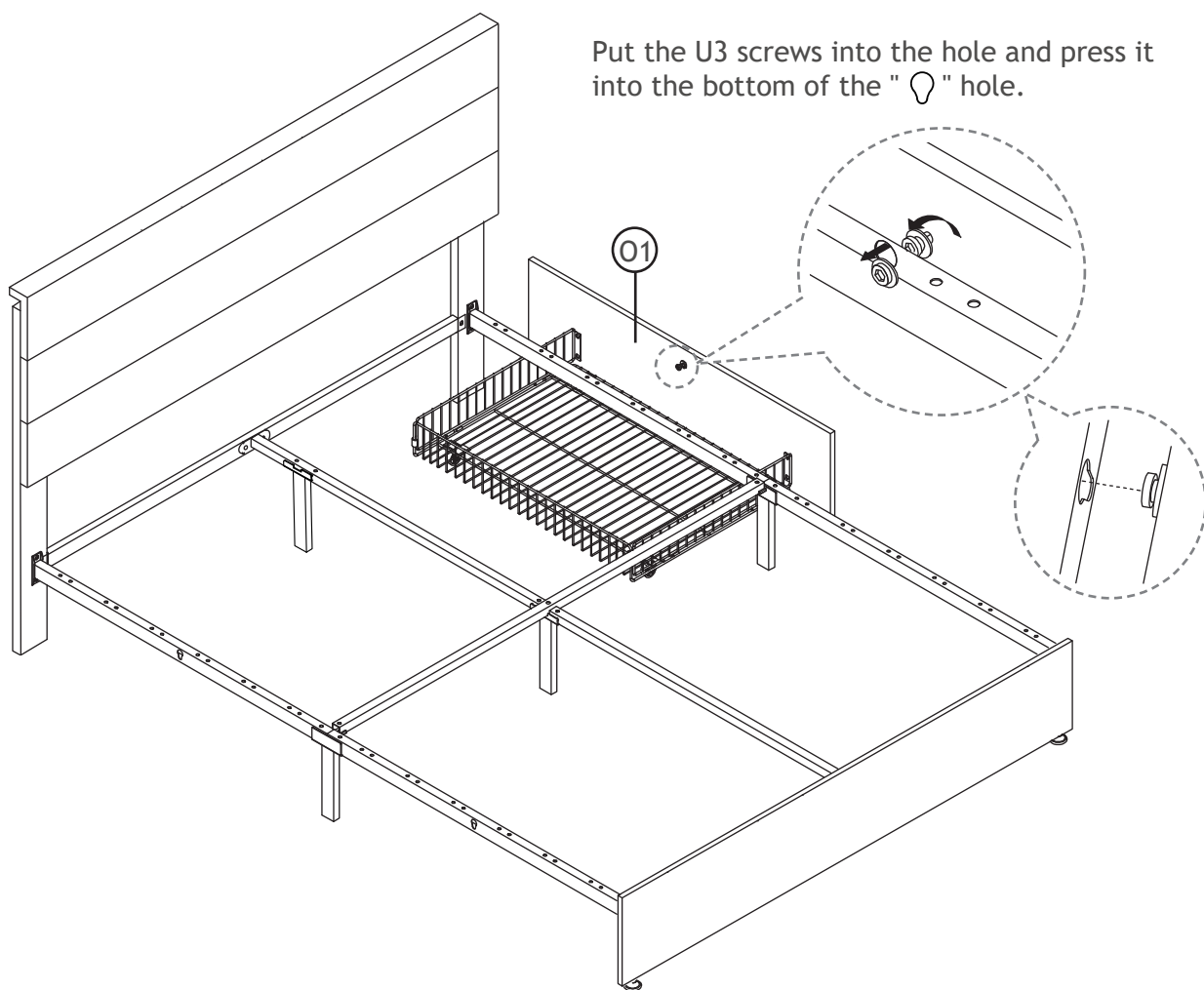
13



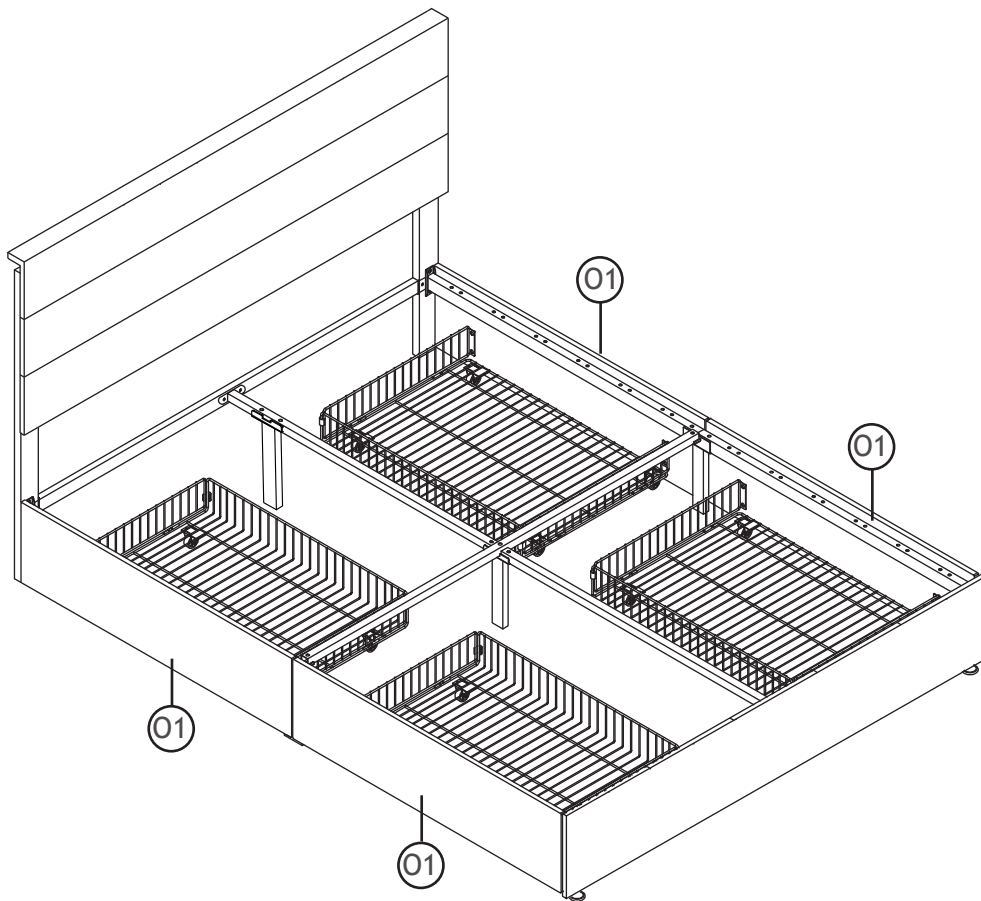
14



15



16



17

