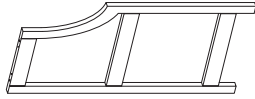
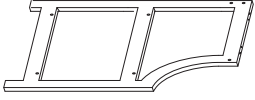
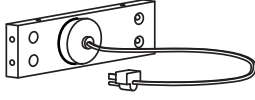

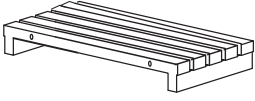



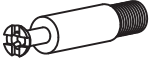

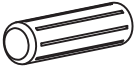

ASSEMBLY INSTRUCTION

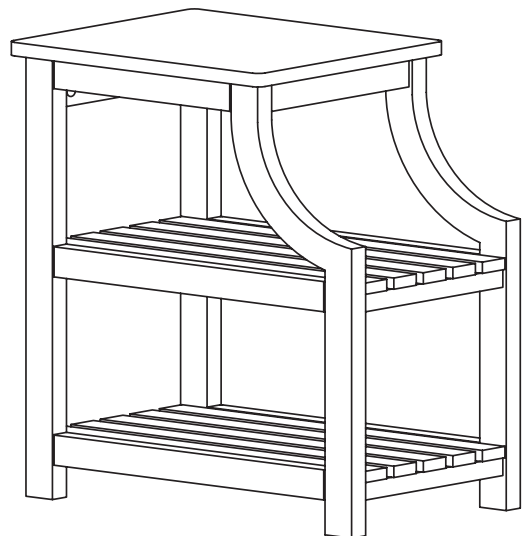
Thank you for purchasing the quality product. Be sure to check all packing material carefully for small parts which may have come loose inside the carton during shipment. Separate, identify and count all parts and metal hardware. Compare with all parts list to be sure all parts are present. If any part(s) are missing or damaged, please contact your local furniture dealer. For efficient and speedy service, please indicate the model number and code letter of part(s) needed.

Do not fully tighten screws until fully assembled

COMPONENT PARTS		
DESCRIPTION	PART NAME	Q'TY(PCS)
(A)	Left Side panel 	1
(B)	Right Side panel 	1
(C)	Cross Bar(Back) 	1
(D)	Cross Bar(Front) 	1
(E)	Shelf Panel 	2
(F)	Top Panel 	1

HARDWARE REQUIRED

- | | | | |
|---|---|--------------|--------------|
| ① |  | Cam bolt | 14pcs |
| ② |  | Cam lock | 14pcs |
| ③ |  | Wooden dowel | ∅8*30mm 4pcs |
| ④ |  | Screw | ∅4*30mm 8pcs |

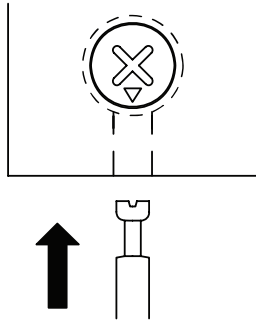


Attention:

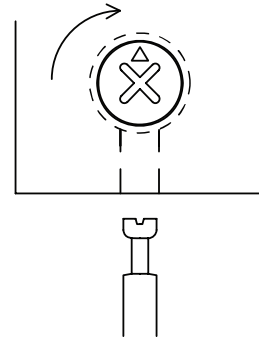
*** Some number parts listed on the instruction sheet may not be in parts bag as they may already be assembled. Carefully check parts and packing materials prior to ordering replacements.

CAM LOCK SYSTEM

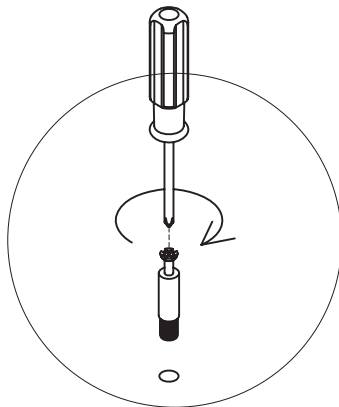
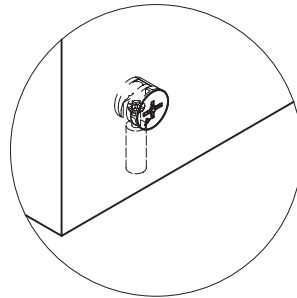
(1)



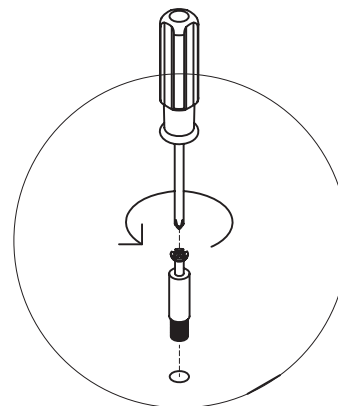
(2)



IMPORTANT NOTE--CAM LOCK ADJUSTMENT



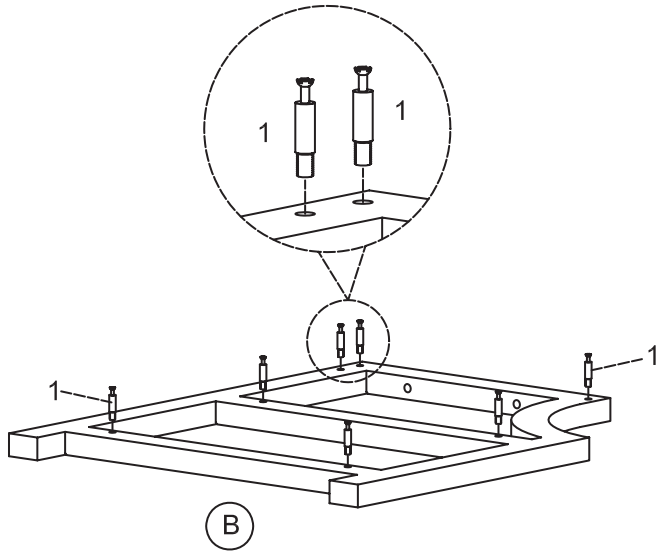
If Cam Lock
is too loose,
Please adjust Metal
Dowel to turn right
as drawing.



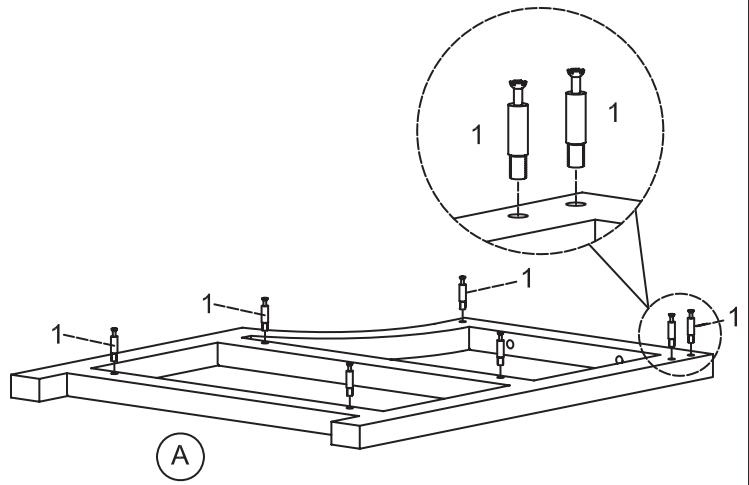
If Cam Lock
is too tight,
Please adjust Metal
Dowel to turn left
as drawing.

How to assemble:

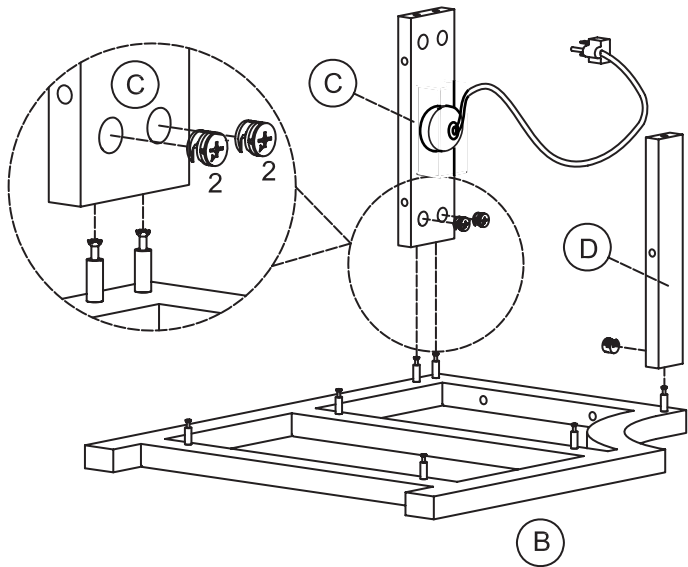
Step 1



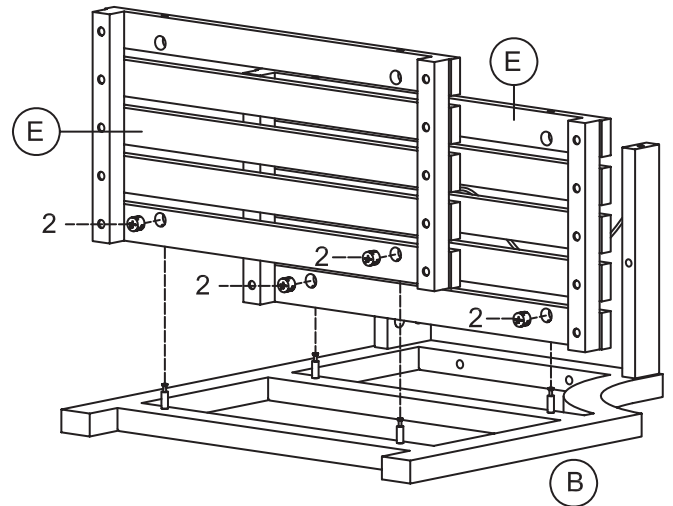
Step 2



Step 3

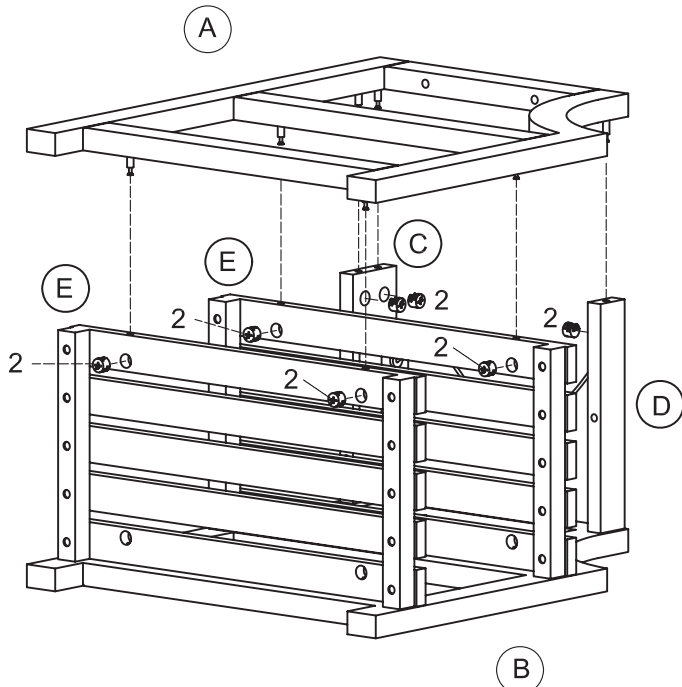


Step 4

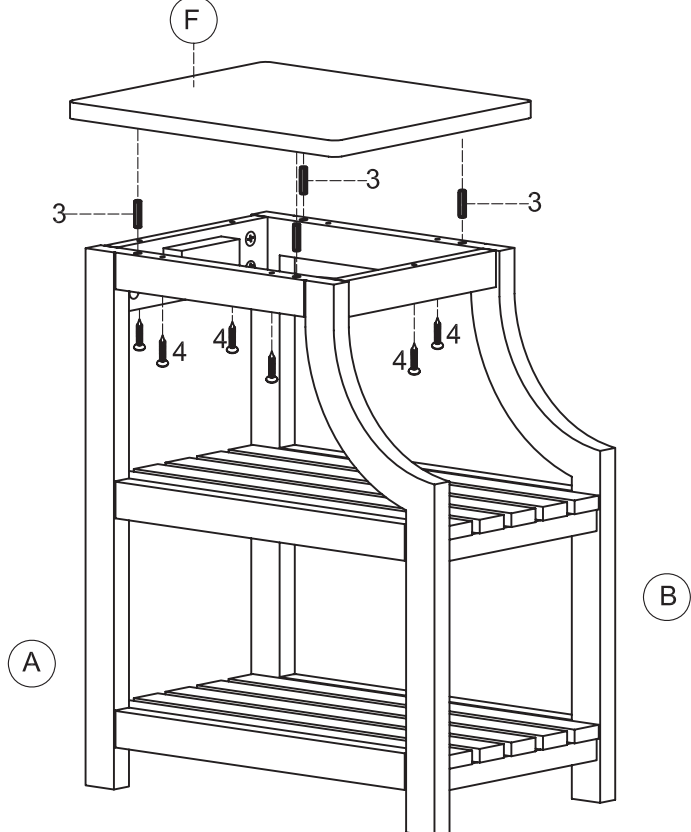


How to assemble:

Step 5



Step 6



Step 7

