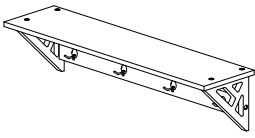
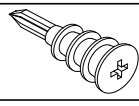
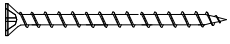


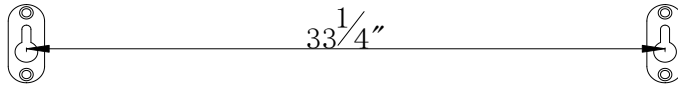
# MOUNTING INSTRUCTION

NO.	DRAWINGS	DESCRIPTION	QTY.
A		Coat Hook	1
B		EZ Anchor	2
C		4x60mm Wood Screw	2

**Note:** If possible, we recommend that when mounting the coat hook that at least one screw is secured in to a stud.

## Step 1

Measure the distance between the two key holes on back of shelf. Mark the location on the wall where the shelf will be hung.



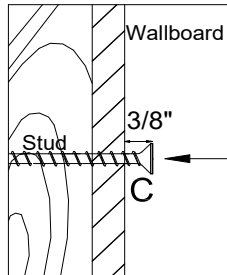
## Step 2

Drill a 1/8" pilot hole 3/4" deep. This will mark the location for the screw that the coat hook will hang from.

## Step 3

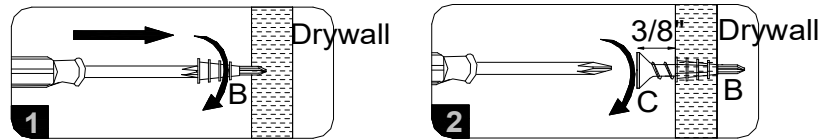
If hole location is aligned with a stud in wall, secure screw ( C ) directly in to the stud.

**Note:** Do not drive screw all the way in, keep head of screw out about 3/8".



## Step 4

If hole location does not align with the stud in wall, install the EZ Anchor (B) by tapping it in to the predrilled pilot hole in the drywall.



## Step 5

Secure screws into EZ Anchor (B)

**Note:** Do not drive screw all the way, have head of screw out about 3/8".

## Step 6

Hang Coat Hook.

