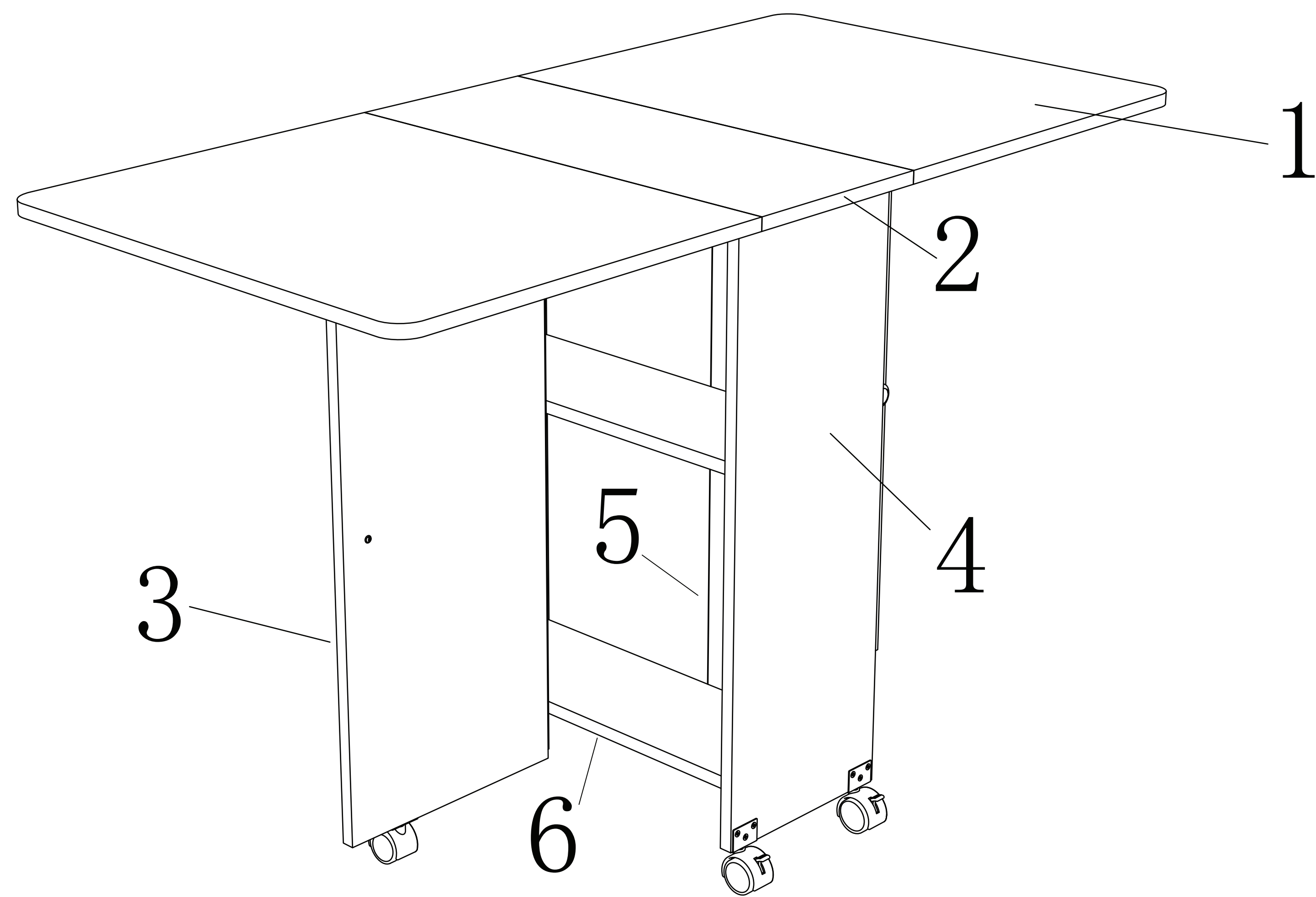
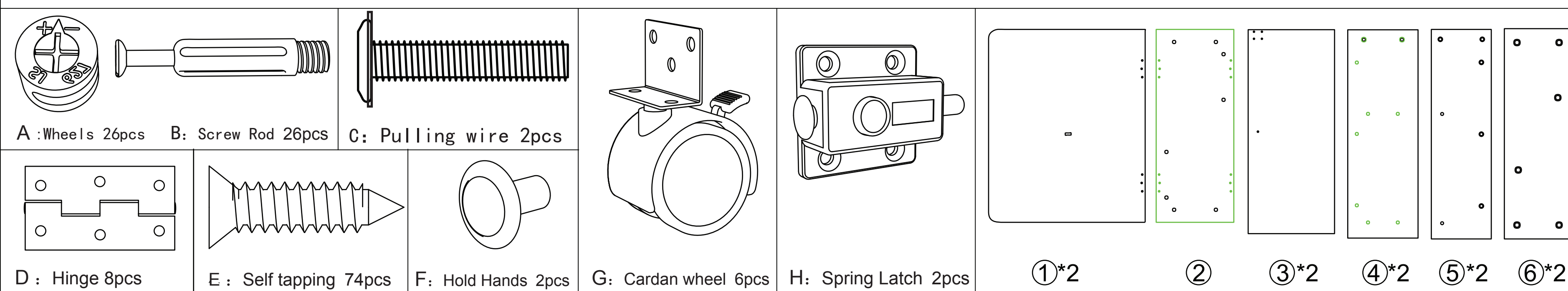
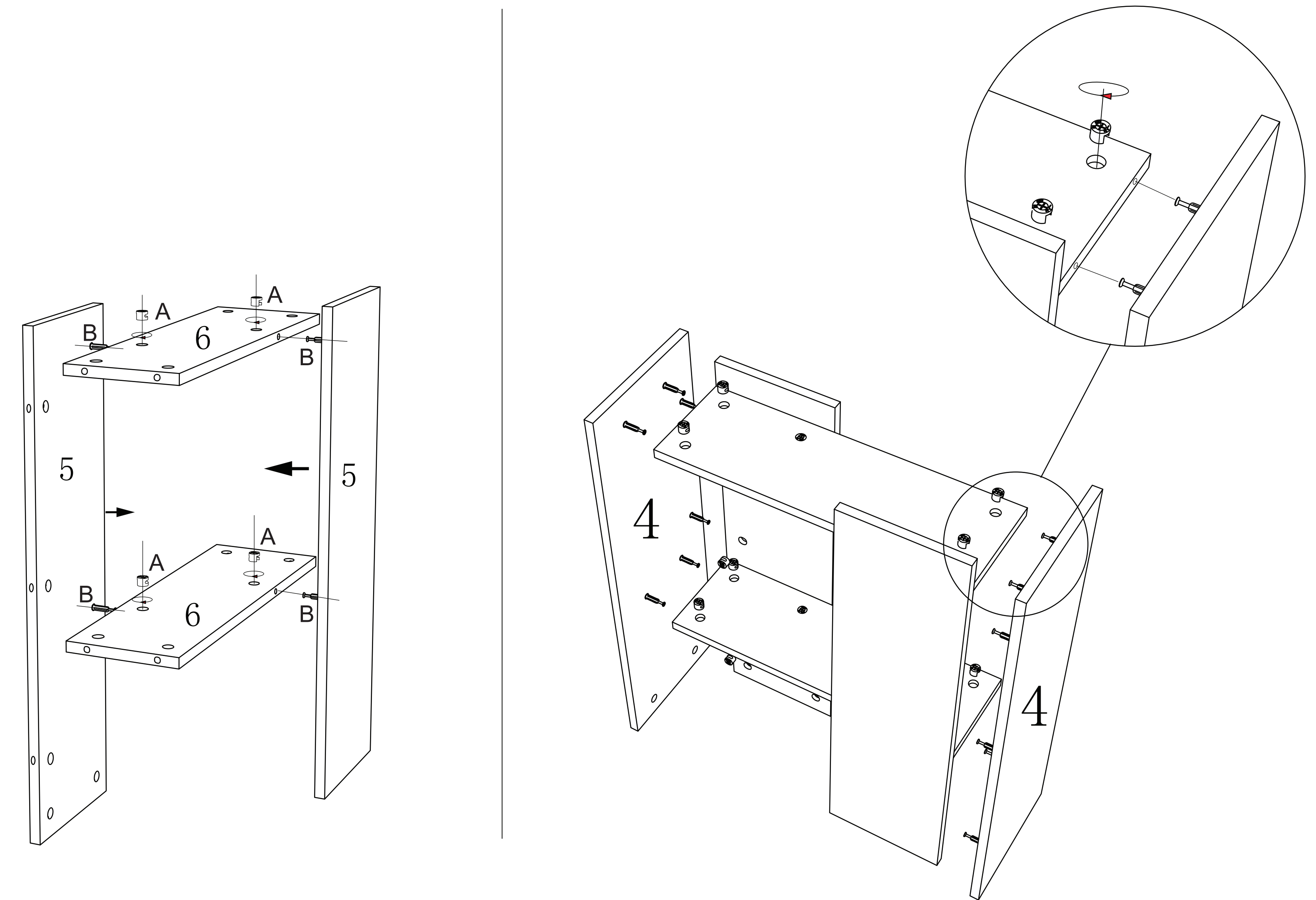


Installation instructions for a removable folding table

(It's a two-man job)

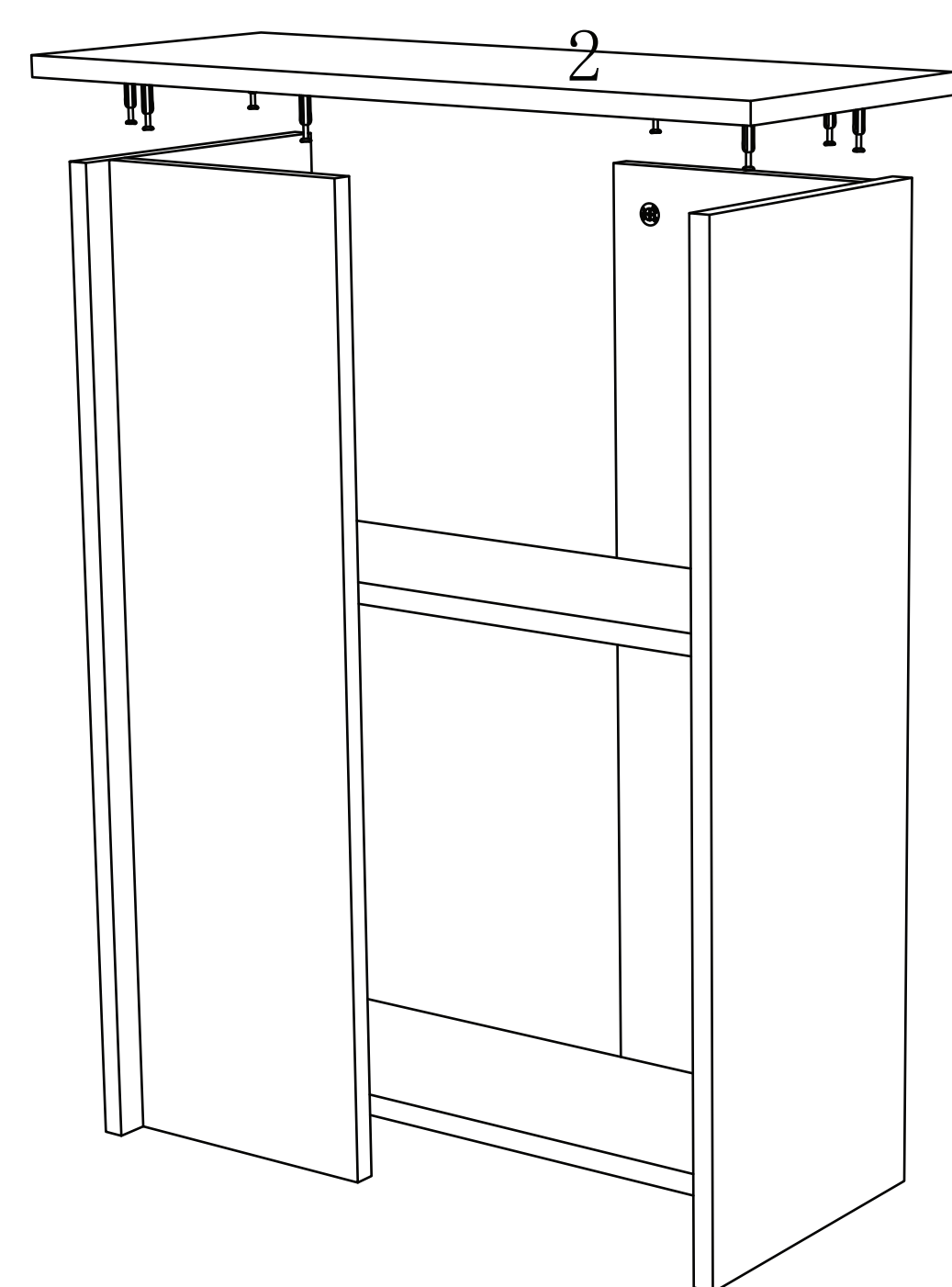


① As shown in the picture: The whole table turned over, the table upside down, easy to install. Find the corresponding board according to the number on the drawing.

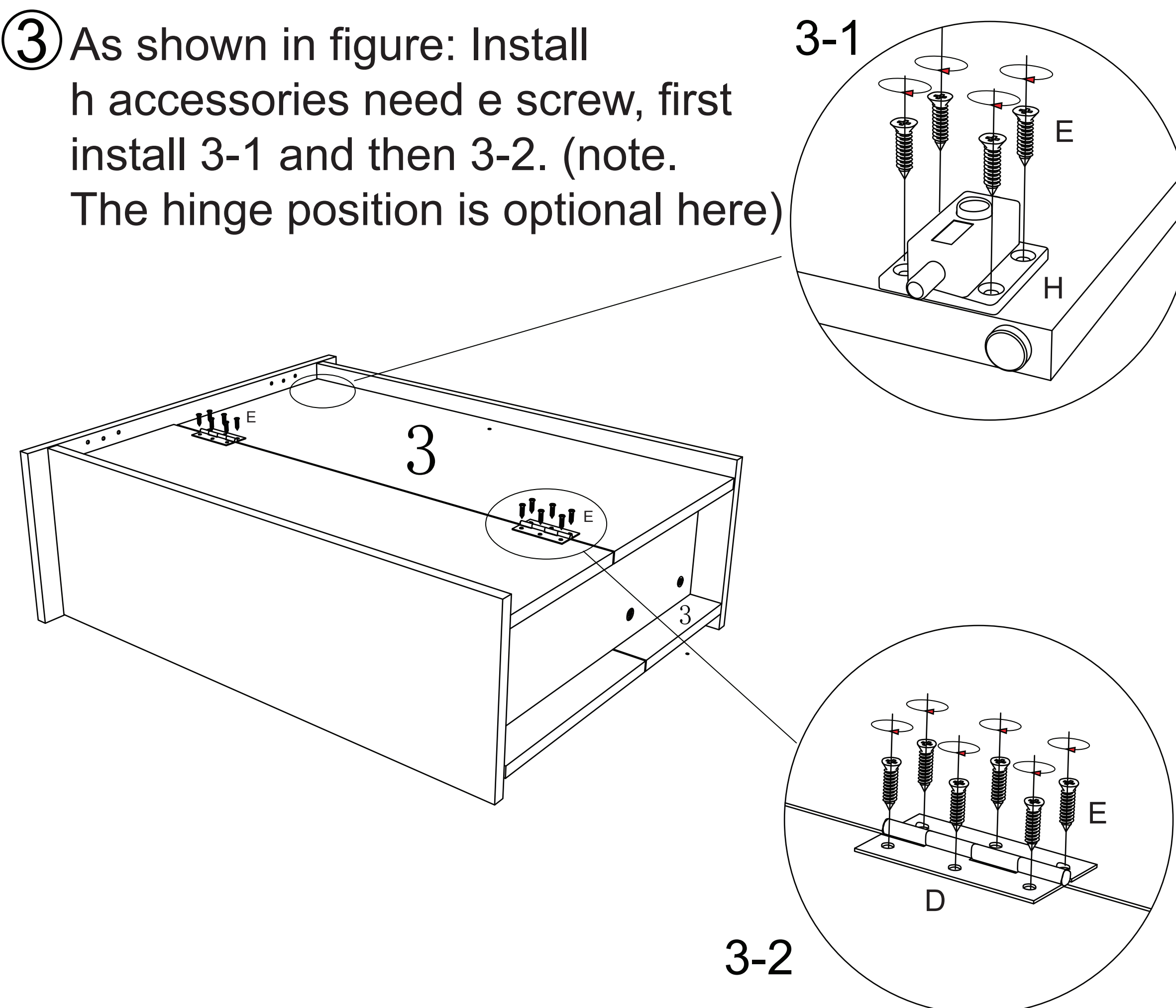


The digit number in the table corresponds to the digit number on the board

② As shown in the picture: install the No. 2 board and turn the table upside down.

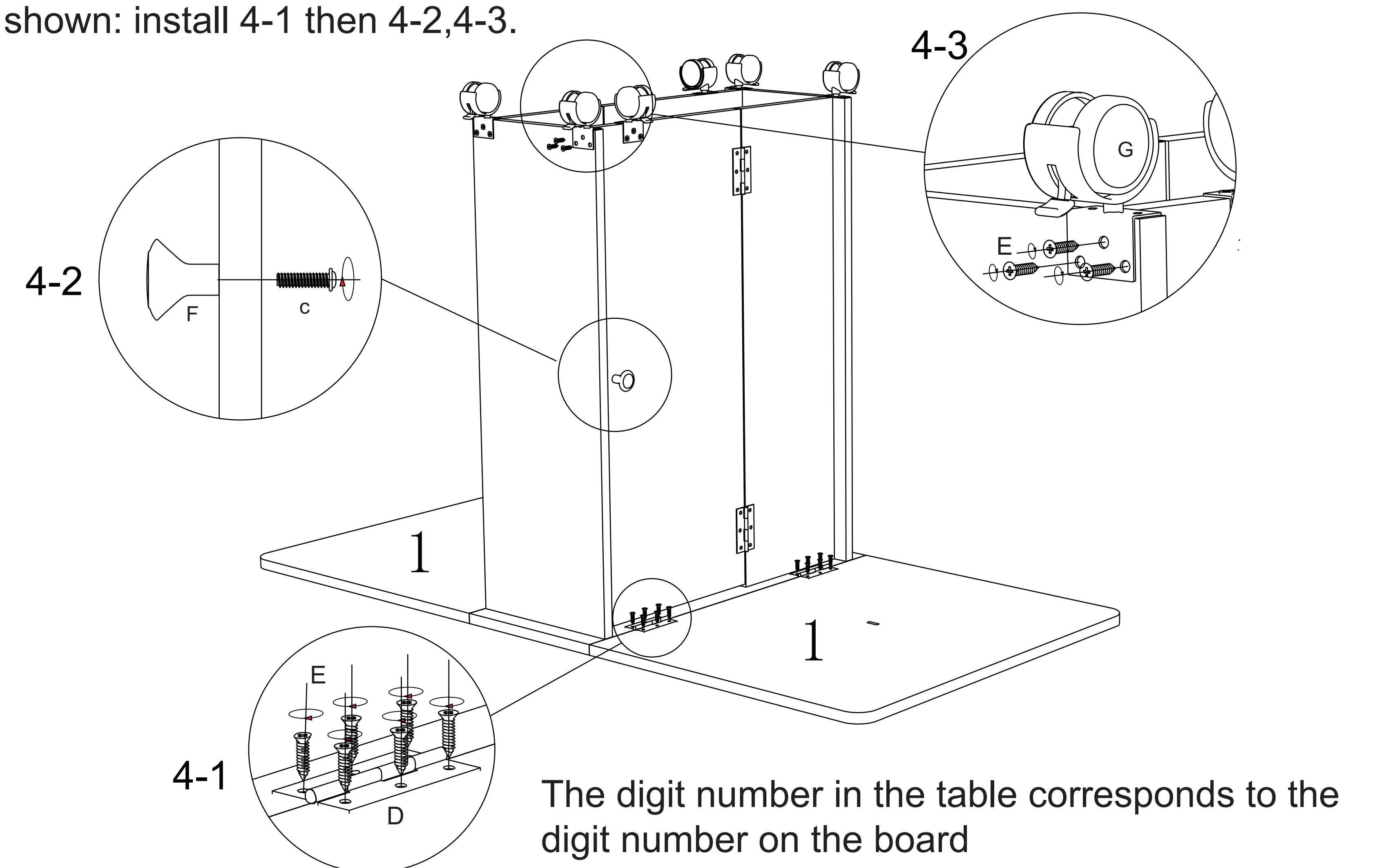


③ As shown in figure: Install the accessories need the screw, first install 3-1 and then 3-2. (note. The hinge position is optional here)



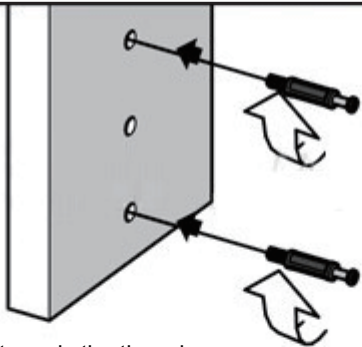
The digit number in the table corresponds to the digit number on the board

④ As shown: install 4-1 then 4-2, 4-3.

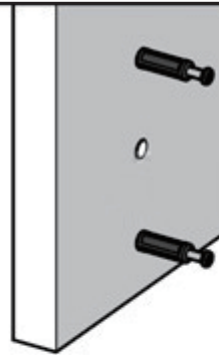


The digit number in the table corresponds to the digit number on the board

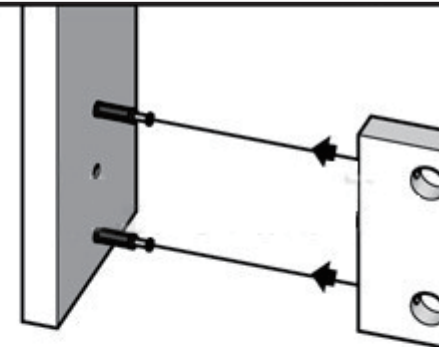
Detailed explanation of installation of three in one components



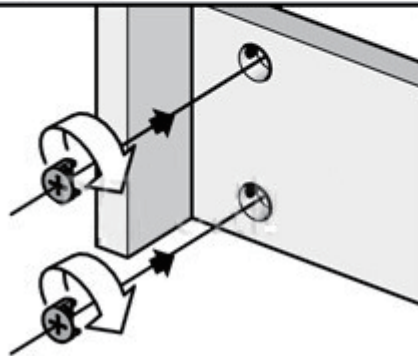
First, apply the three in one component in the above diagram. Insert the screwdriver into the reserved plastic hole position.



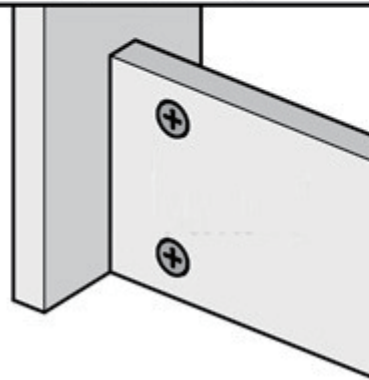
Complete the first step as shown in the figure.



Combine the two boards to be combined. Stack up according to the diagram above.



Align the eccentric wheel component with a screwdriver. Insert the hole position as shown in the above picture and tighten it.



OK