

CONSOLE TABLE

ASSEMBLY INSTRUCTIONS

PARTS AND FITTING PACKAGING DETAIL

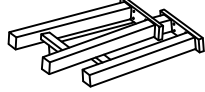
BOX #1

A. TABLE TOP 1PC

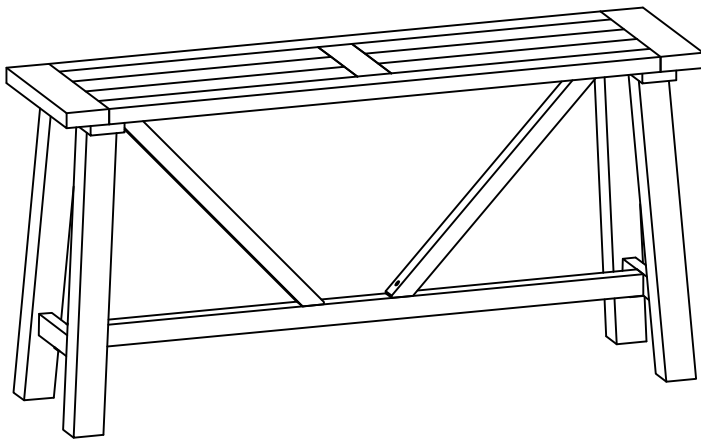
B. LEGS 2PCS

C. CENTER RAIL 1PC

D. SUPPORT 2PCS
BRACE



CONSOLE TABLE ASSEMBLED



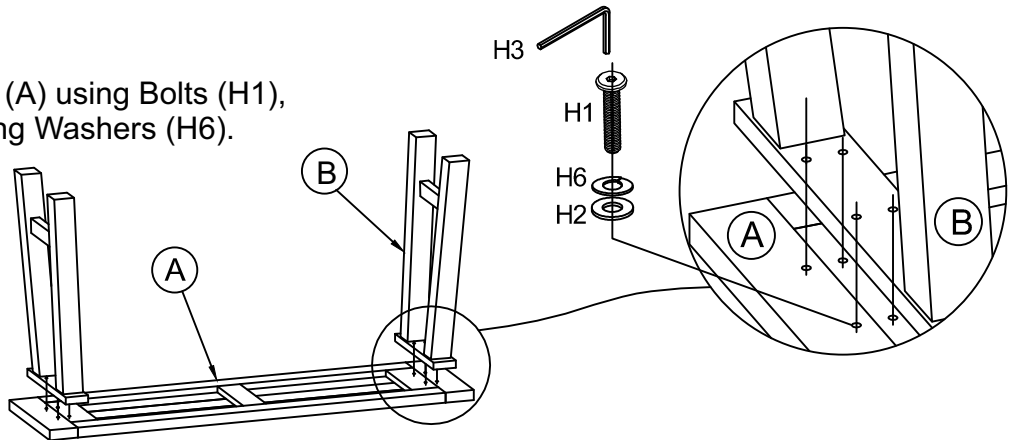
HARDWARE * PACKED IN BOX #1

H1	ALLEN BOLT 8 X 50mm	8 PCS	H2	FLAT WASHER M8	8 PCS
H3	ALLEN KEY M4	1 PC	H4	SCREW 4 X 20mm	4 PCS
H5	SCREW 4 X 40mm	4 PCS	H6	SPRING WASHER M8	8 PCS

YOUR BOX MAY CONTAIN EXTRA HARDWARE

STEP 1

Attach Legs (B) to Table Top (A) using Bolts (H1), Flat Washers (H2), and Spring Washers (H6). Tighten with Allen Key (H3).



STEP 2

Following the illustration, attach Center Rail (C) to the Legs with Screws (H4). After securing the Center Rail, attach Support Braces (D) to the Table Top and Center Rail with Screws (H5). Screwdriver is not provided.

