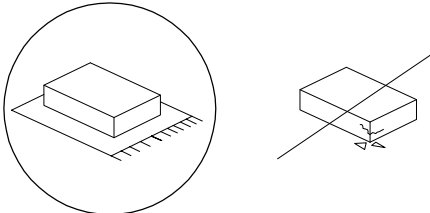
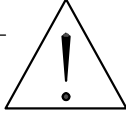

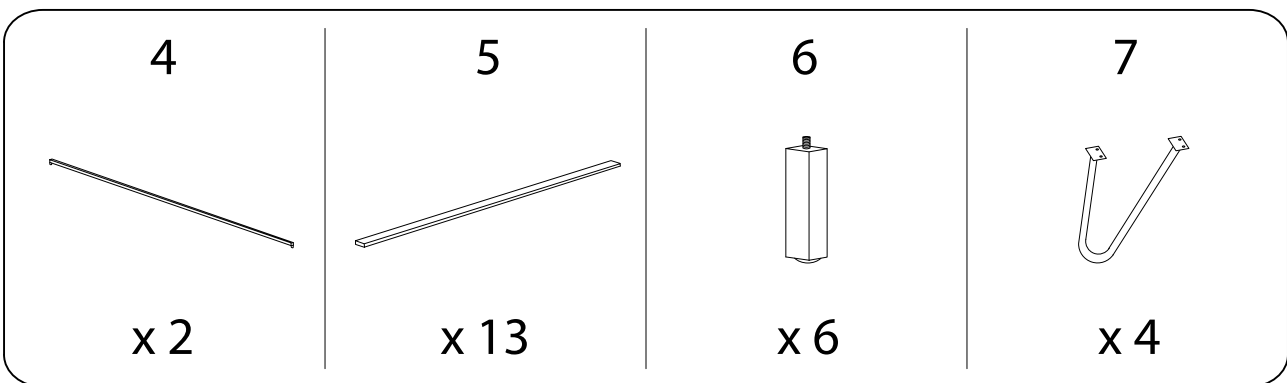
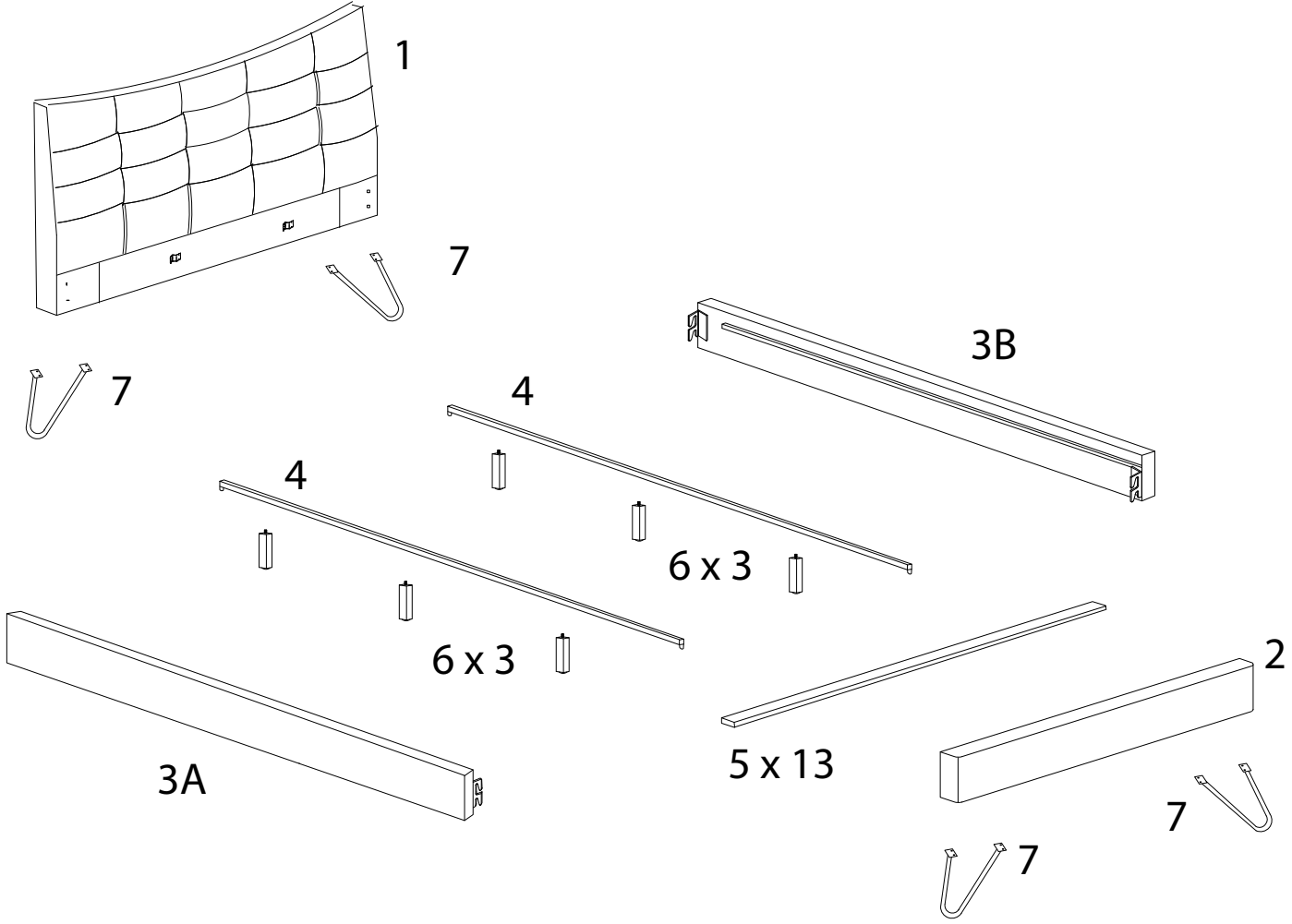
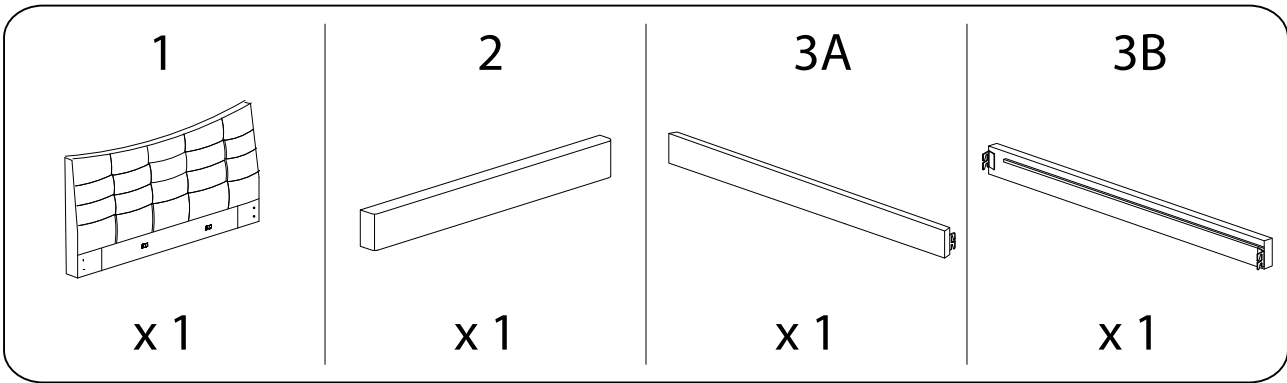
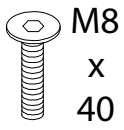

		<b>40'</b>
		
		<b>2</b>

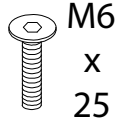


A



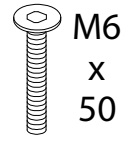
x 8

B



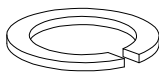
x 8

C



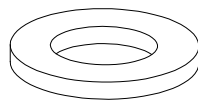
x 6

D



x 22

E



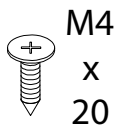
x 16

F



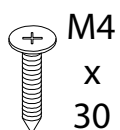
x 6

G



x 16

H



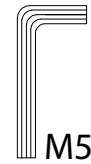
x 46

I



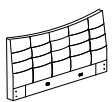


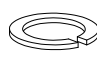


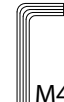
x 1

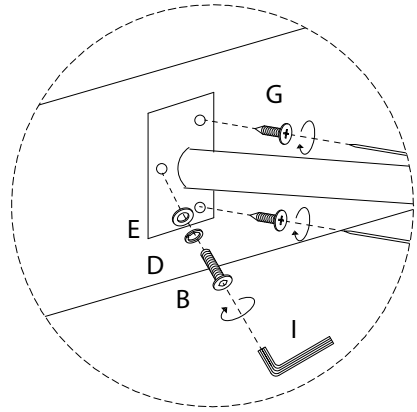
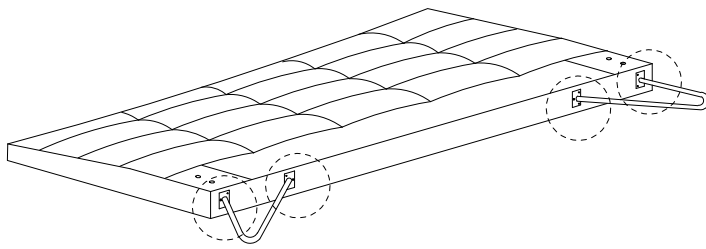
J



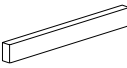

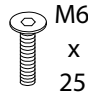

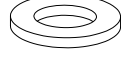


x 1

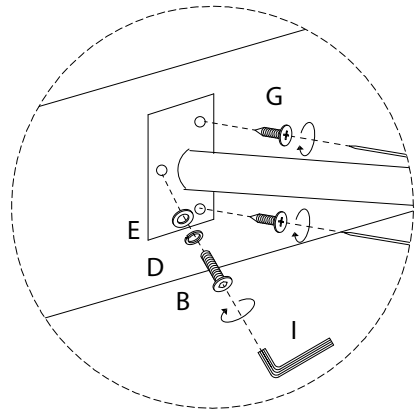
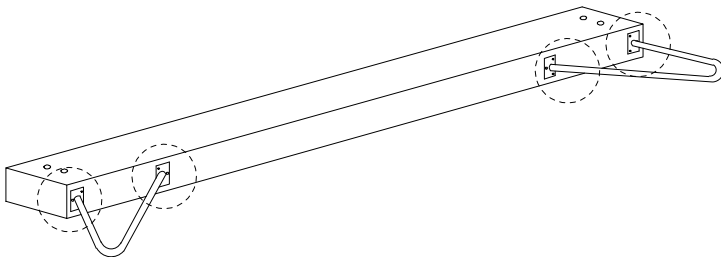
1

1	7	B	D	E	G	I
		 M6 x 25			 M4 x 20	 M4
x 1	x 2	x 4	x 4	x 4	x 8	x 1

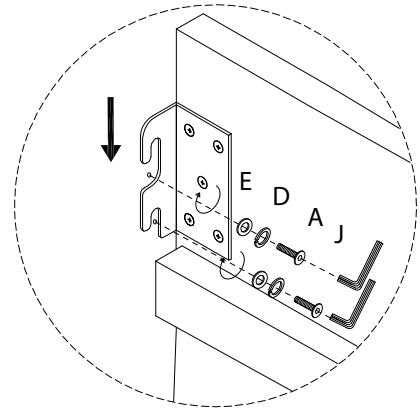
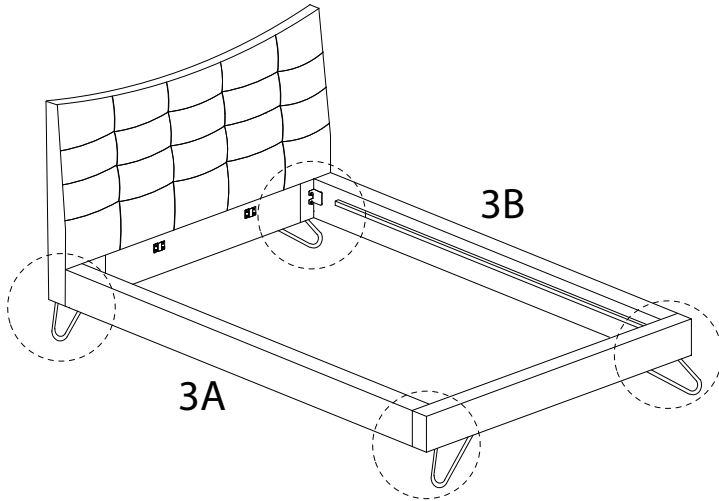
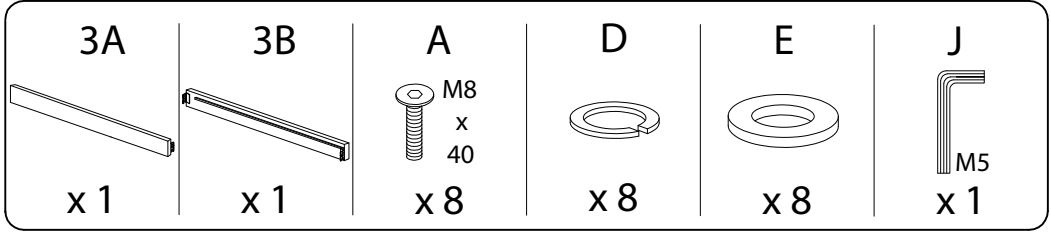


2

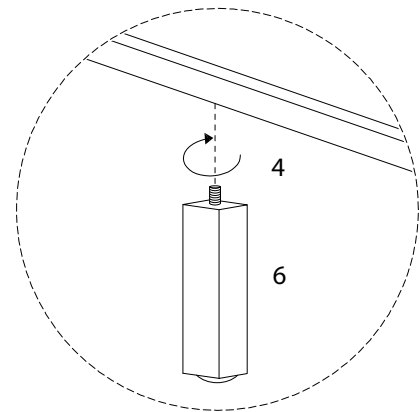
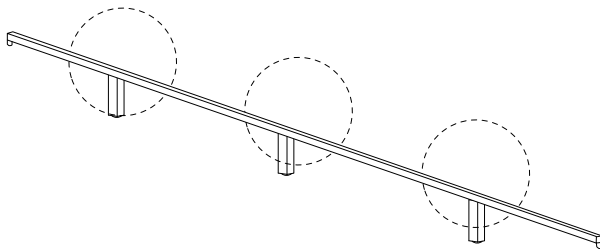
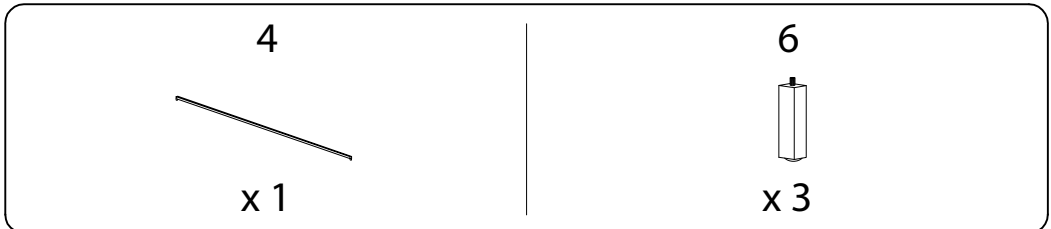
2	7	B	D	E	G	I
		 M6 x 25			 M4 x 20	 M4
x 1	x 2	x 4	x 4	x 4	x 8	x 1



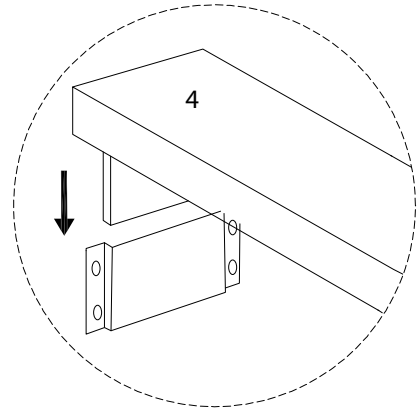
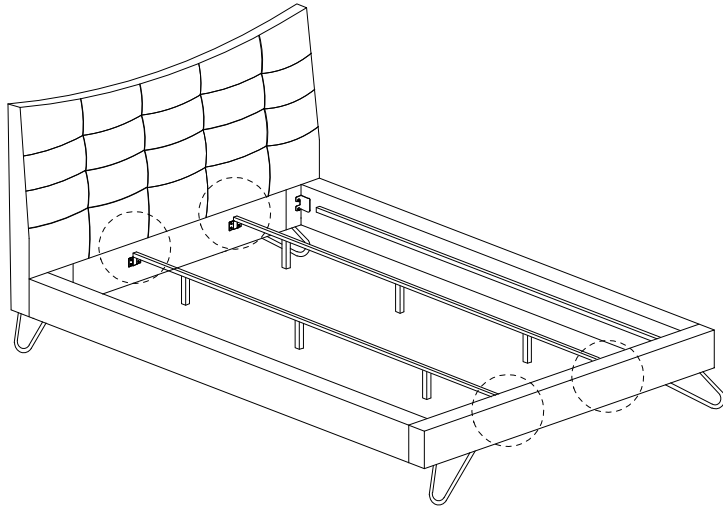
3




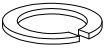

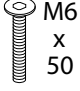

4 x 2

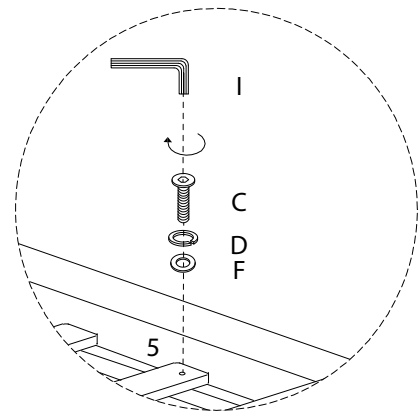
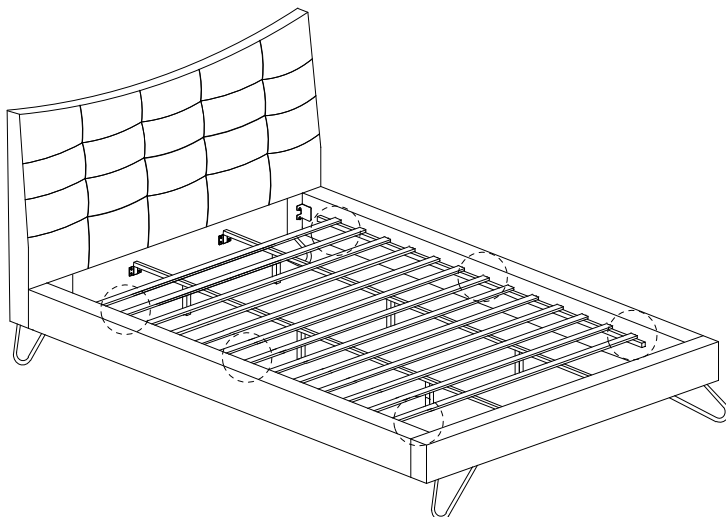


5



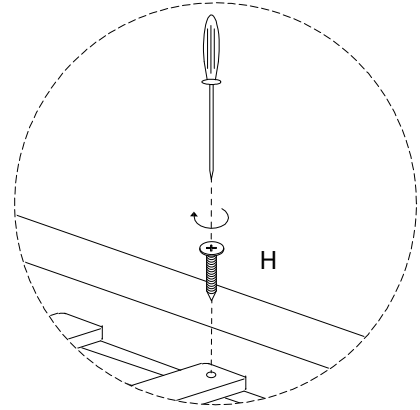
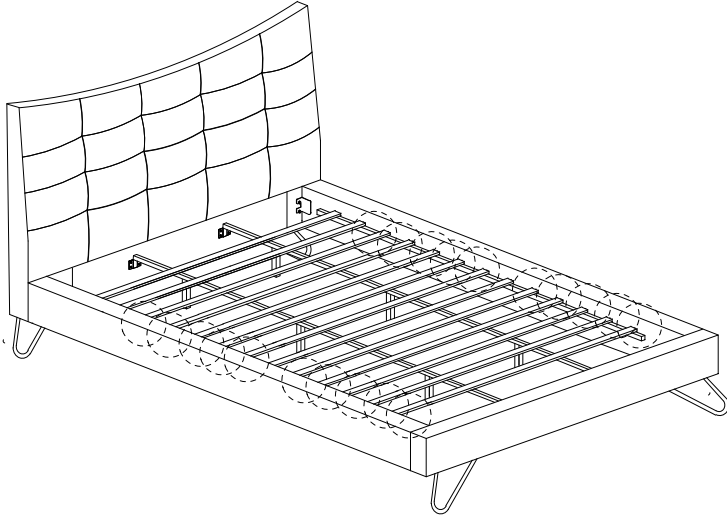
6

<p>5</p>  <p>x 13</p>	<p>D</p>  <p>x 6</p>	<p>F</p>  <p>x 6</p>	<p>C</p>  <p>M6 x 50</p> <p>x 6</p>	<p>I</p>  <p>M4</p> <p>x 1</p>
--	---	---	--	---



7

H  
M4  
x  
30  
x 20



8 x 13

H  
M4  
x  
30  
x 2

