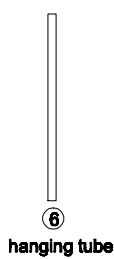
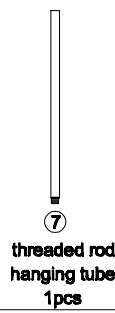


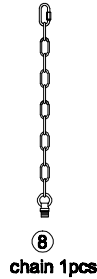
light arm
bottom box
end cap
light fixture
lock nut & teeth lock washer



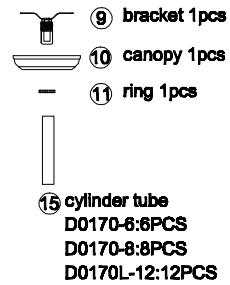
hanging tube 1pcs



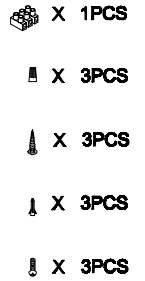
threaded rod hanging tube 1pcs



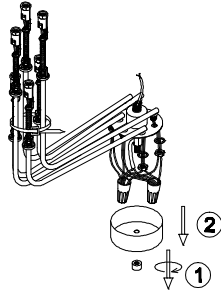
chain 1pcs



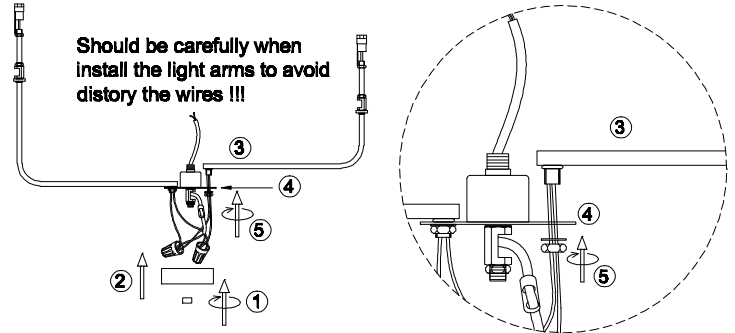
bracket 1pcs
canopy 1pcs
ring 1pcs
cylinder tube
D0170-6:6PCS
D0170-8:8PCS
D0170L-12:12PCS



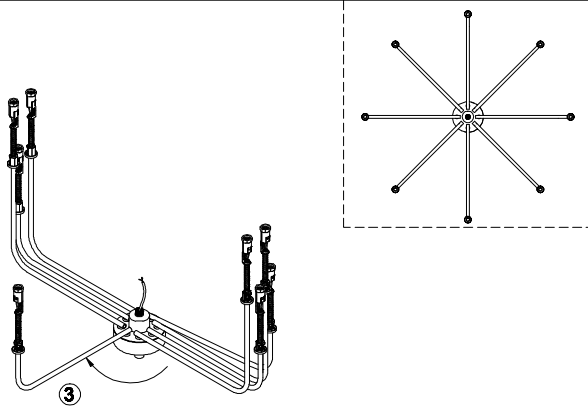
X 3PCS
X 3PCS
X 3PCS



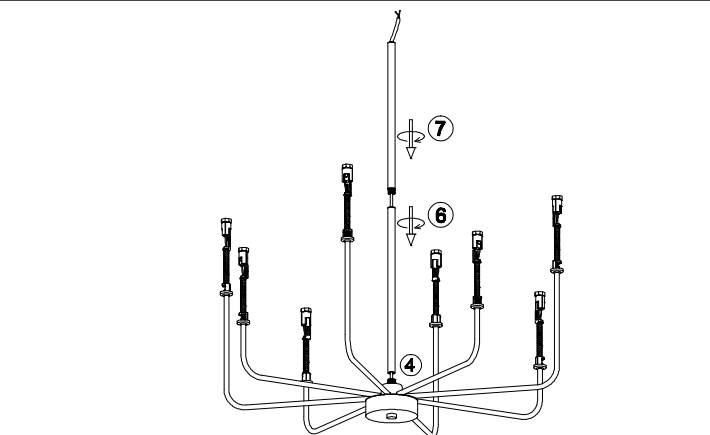
1. Rotate end cap ① to remove out bottom box ②.



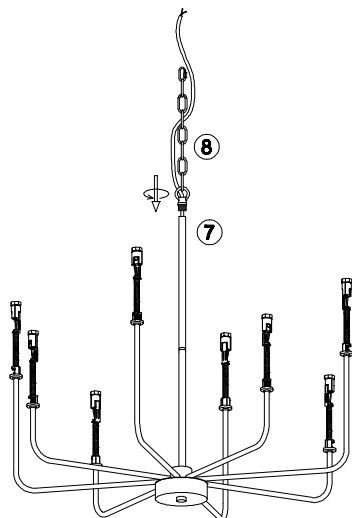
2. Fixed the light arms ③ to the fixture ④ with lock nuts & teeth lock washers ⑤, lock the bottom box ② to the fixture ④ with end cap ①. (Should be carefully when install the light arms to avoid distory the wires !!!)



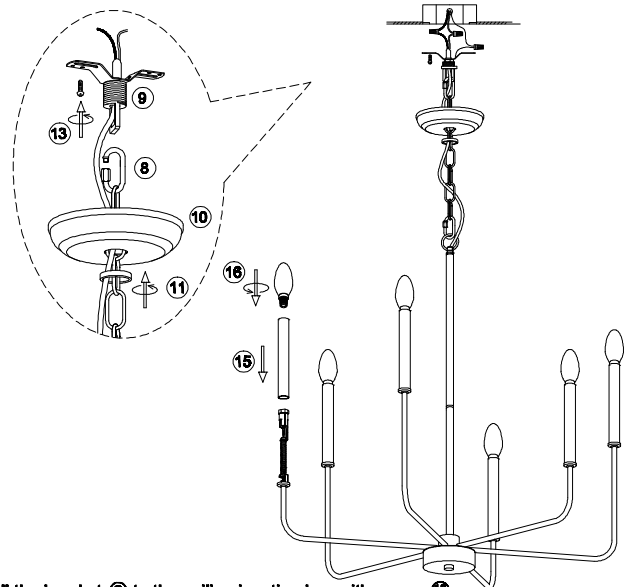
3. Adjust the arms ③ to suitable position like picture showed. (If the arm loosen, please back to step 2 to lock tighten the lock nuts ⑤.)



4. Let the wire go through the hanging tube ⑥ and tube ⑦, rotate to install the tube ⑥ and tube ⑦ on the fixture ④.



5. Install the chain ⑧ to the hanging tube ⑦, let the wire go through chain ⑧.



6. Install the bracket ⑨ to the ceiling junction box with screw ⑬.
7. Let the chain ⑧ and the wire go through the ring ⑪, canopy ⑩ and the bracket ⑨, after that hang the fixture to the bracket ⑨.
8. Connect the wire to your home line.
9. Push the canopy ⑩ up to the bracket ⑨ and lock it with ring ⑪.
10. Put the cylinder tube ⑮ to the bulbholder and after that install the bulbs ⑯.

Please read carefully before installation!!!

Note : Please make sure that the electricity is powered off during installation !

Only a professional electrician should install this kind of product !