

# ASSEMBLY INSTRUCTIONS

Read this instruction carefully. See hardware and furniture part list for guidance. Be sure all parts are complete, before you assemble. Place all wooden furniture parts on a clean and flat soft surface to prevent from being scratched. Follow the figure to start assembling.

**CAUTIONS :** 1. Do not FULLY - TIGHTEN the nut or nut bolt until all nut or bolt is ready assembled.  
 2. Do not OVER - TIGHTEN the nut or bolt to avoid causing damages to the thread.  
 3. Keep all hardware parts out of reach of children.

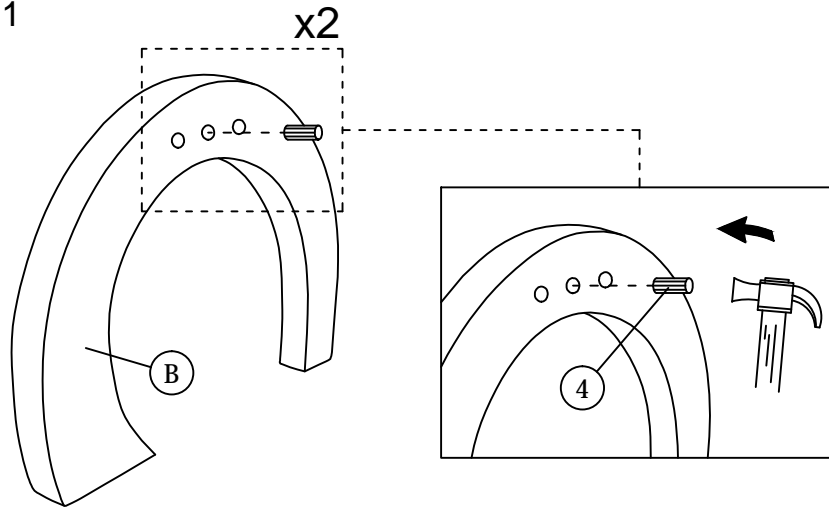
**NOTE :** THE LIST AND QUANTITY SHOWN ARE FOR 1 UNIT ASSEMBLY.

Tool needed : Screwdriver (not provided).

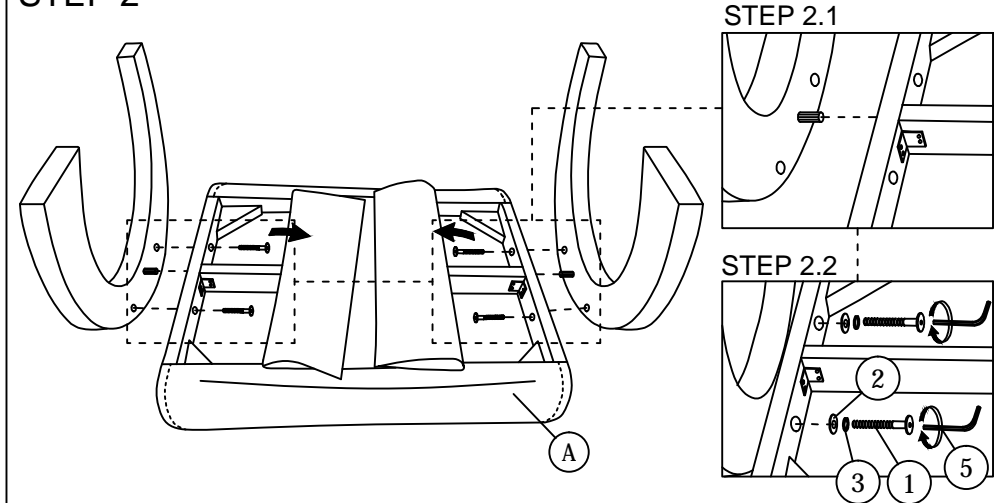
PART LIST		
ITEM	DESCRIPTION	QTY
A	STOOL	1 PC
B	LEG	2 PCS

HARDWARE LIST		
ITEM	DESCRIPTION	QTY
1	JCBB BOLT M8 x 40mm 	4pcs
2	M8 FLAT WASHER 	4pcs
3	M8 SPRING WASHER 	4pcs
4	WOOD DOWEL M8 x 30mm 	2pcs
5	M5 ALLEN KEY (BALL SHAPE) 	1pc

## STEP 1



## STEP 2



## STEP 3

