

NOTICE

*Please make sure that you have all parts indicated and they are in good condition before you begin assembly of this item. Refer to part list and hardware list below for guidance.

*This item should be assembled on a soft surface to prevent scratching the finish during assembly.

*This item may require periodic tightening.

PREPARATION

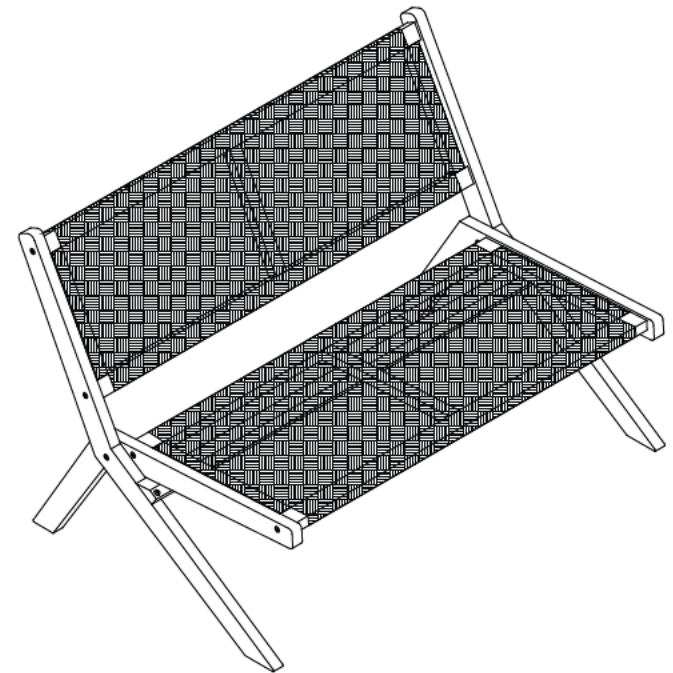
* Before beginning assembly of product, make sure all parts are present. Compare parts with part contents list and hardware contents list.

* If any part is missing or damaged, do not attempt to assemble the product.

* Estimated Assembly Time: 10 minutes.

* **Tools Required for Assembly (included): Allen Key**

Product Dimensions: 45.5" W x 30.7" D x 29.9" H



WARNING



Weight Capacity : 400 lbs












Warning : Do not stand on bench

Warning : Do not over torque bolts / screws

CARE AND MAINTENANCE

Insert Care and Maintenance here

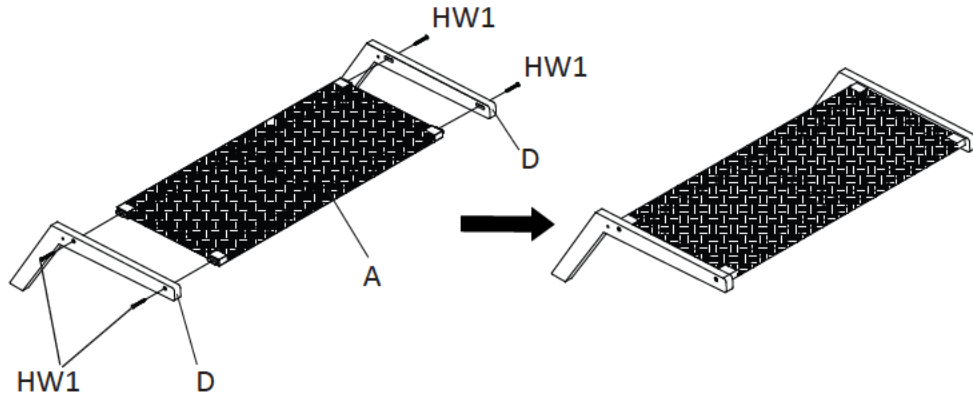
Part List and Hardware List

PIECE	DESCRIPTION	PICTURE	QUANTITY
A	Frame Seat		1X
B	Frame back		1X
C	Frame leg 1		2X
D	Frame leg 2		2X
E	Cross Bar		1X
HW1	Screw: M6 x0.5 x70 mm		8X
HW2	Screw: M6 x0.5 x45 mm		2X
HW3	Allen Bolt: M6x0.5x45 mm		2X
HW4	Washer \varnothing 6.5/20x2 mm		2X
HW5	Sleeve nut: M6 x0.5x15mm		2X
HW6	Allen key 4		2X

PREPARATION

- *Before beginning assembly of product, make sure all parts are present. Compare parts with package contents list and hardware contents list.
- *If any part is missing or damaged, do not attempt to assemble the product.
- * Estimated Assembly Time : 10 minutes.
- * Tools Required for Assembly (included): Allen Key

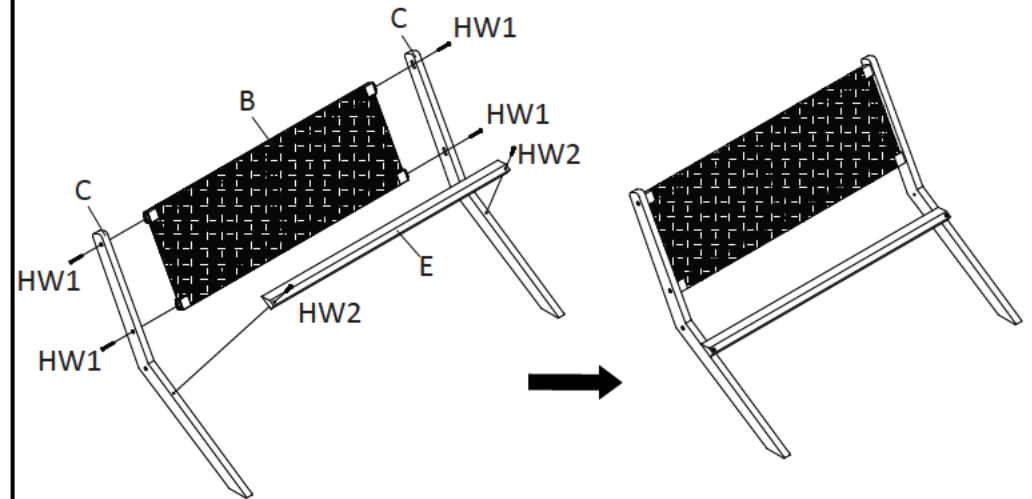
1



Step 1

Attach Frame leg 2 (D) to Frame Seat (A), use Screws (HW1) tighten with allen key (HW6).

2



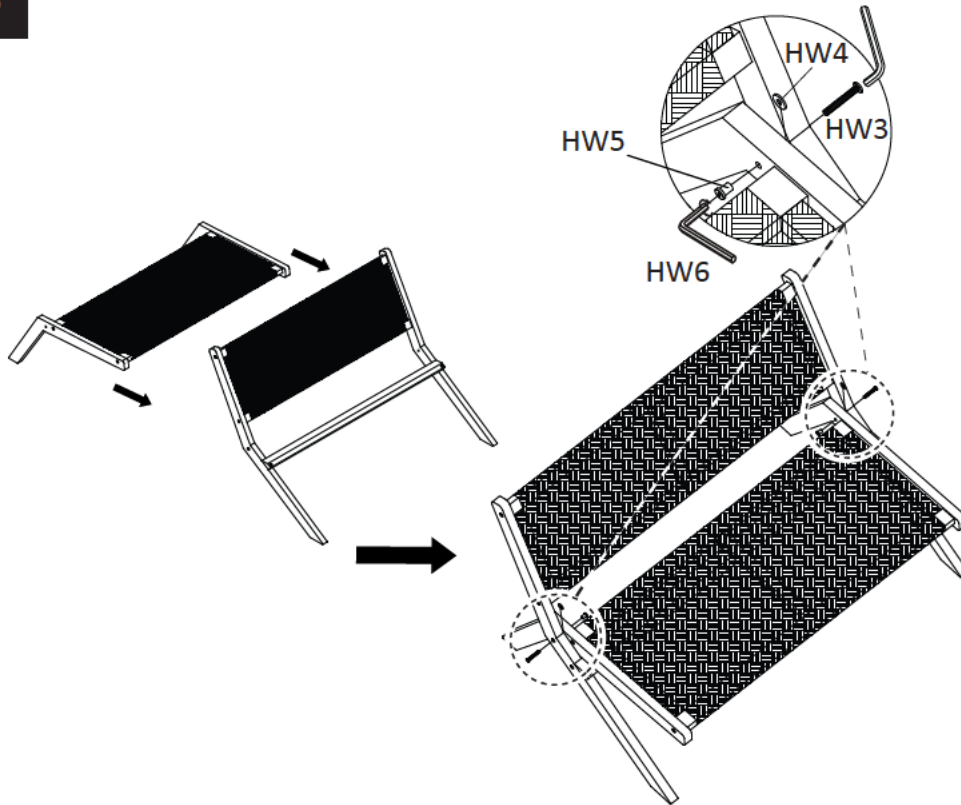
Step 2

Attach Frame leg 1 (C) to Frame back (B), use Screws (HW1) tighten with allen key (HW6).
Attach Coss bar (E) to Frame leg 1 (C), use Screws (HW2) tighten with allen key (HW6).

PREPARATION

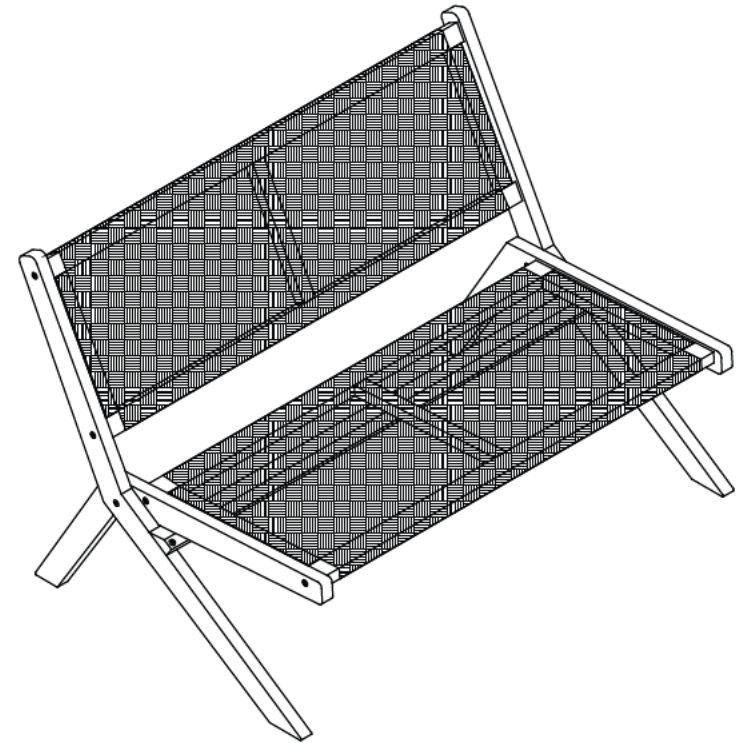
- *Before beginning assembly of product, make sure all parts are present. Compare parts with package contents list and hardware contents list.
- *If any part is missing or damaged, do not attempt to assemble the product.
- * Estimated Assembly Time : 10 minutes.
- * Tools Required for Assembly (included): Allen Key

3



Step 3
Attach Frame leg 2 (D) to Frame leg 1 (C), use Bolts (HW3), Washers (HW4), Insert Nut (HW5) tighten with allen key (HW6).

4



Step 4
Caution: This Chair can only be used on a flat, level surface