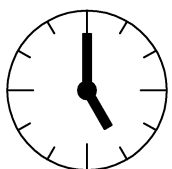
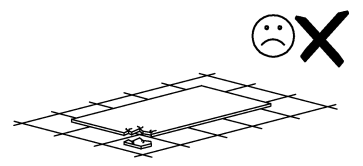
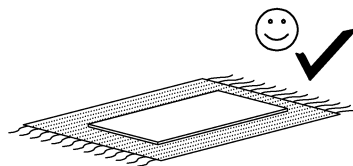
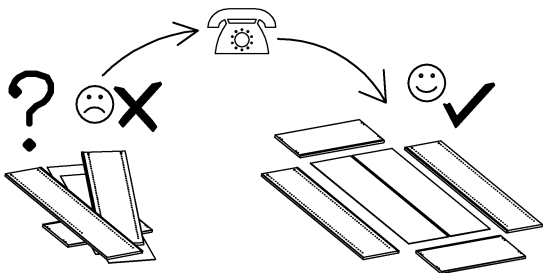
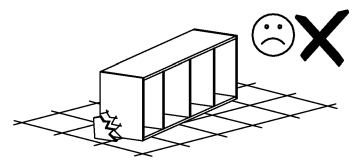
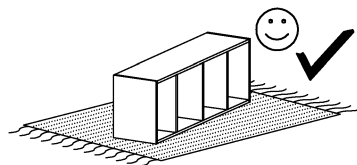
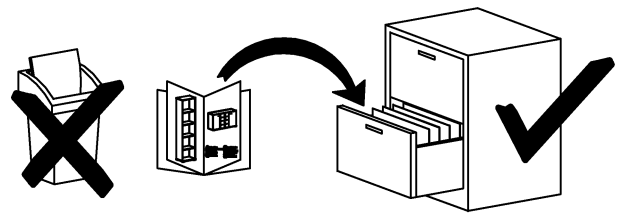
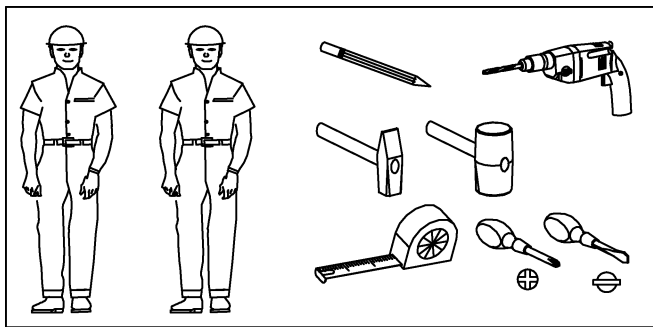
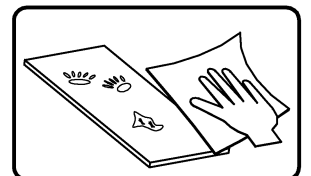
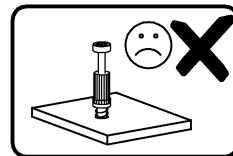
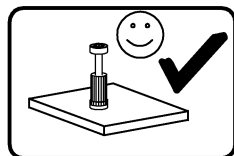
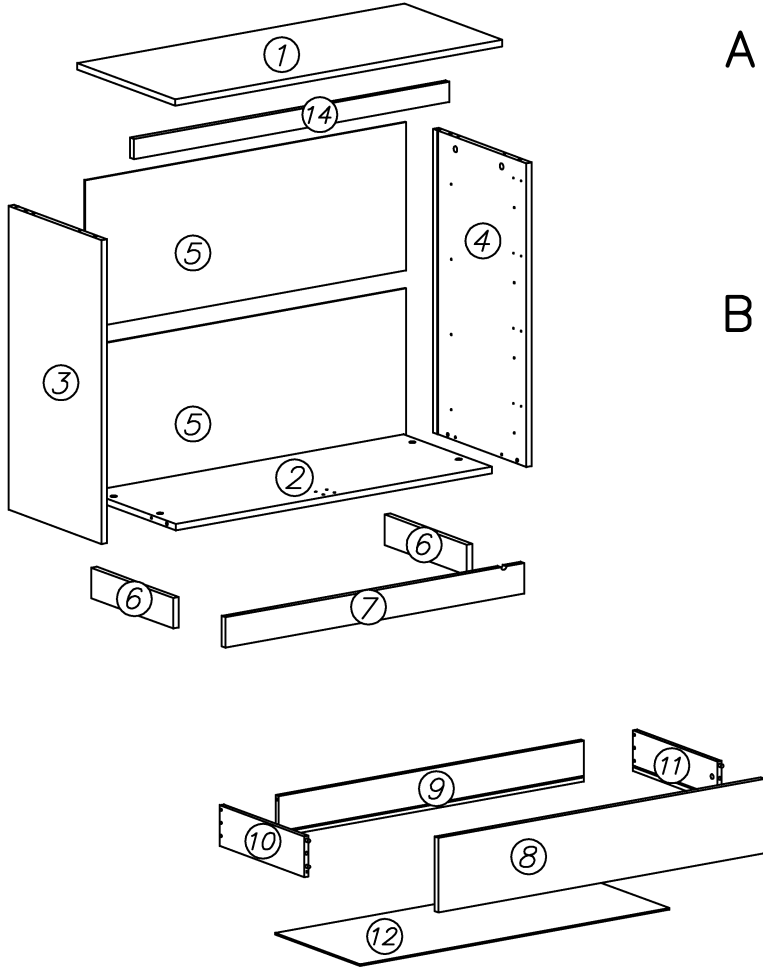
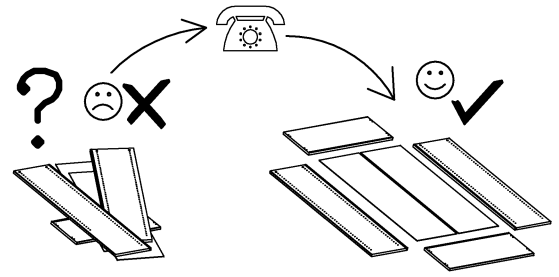
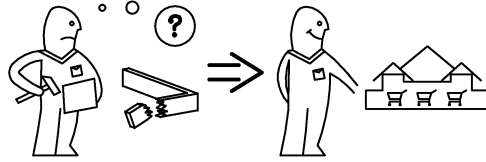
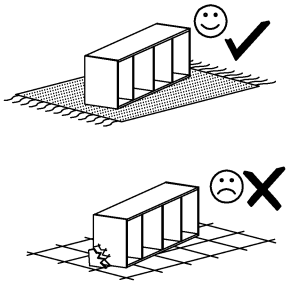


PUSH

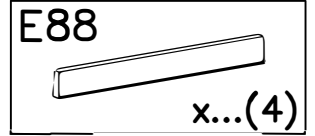


1,5h

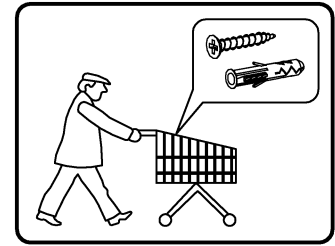
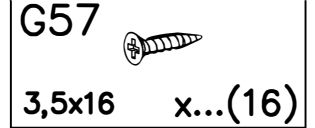
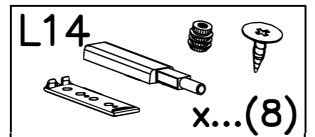
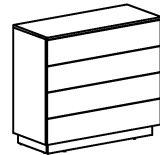




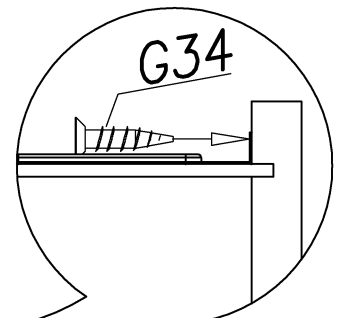
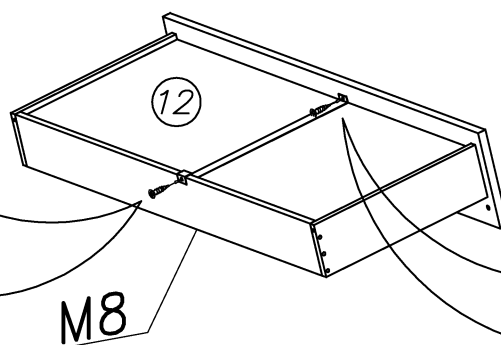
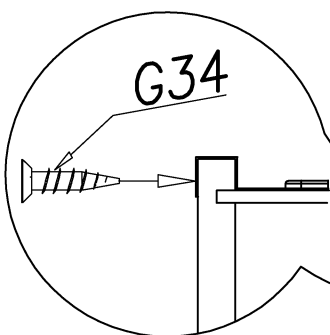
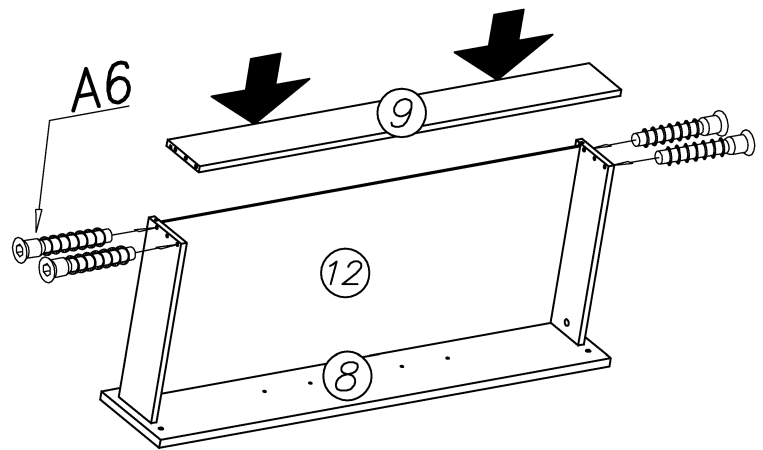
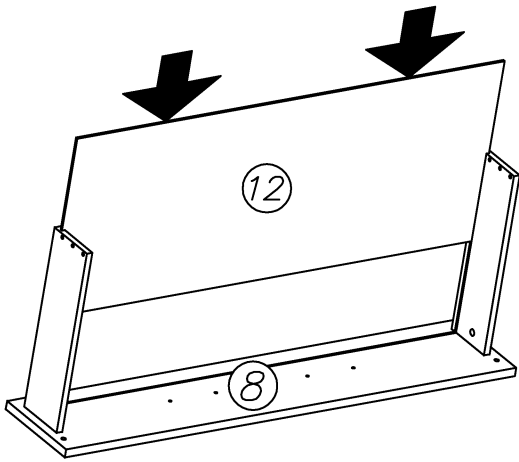
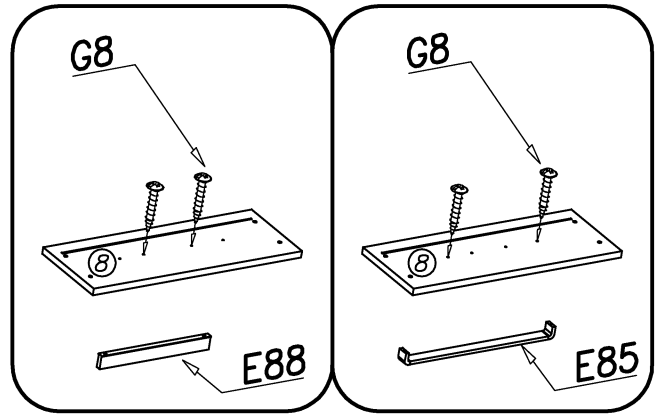
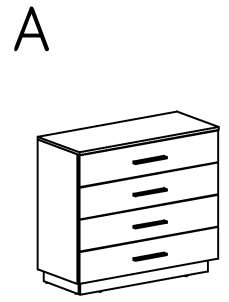
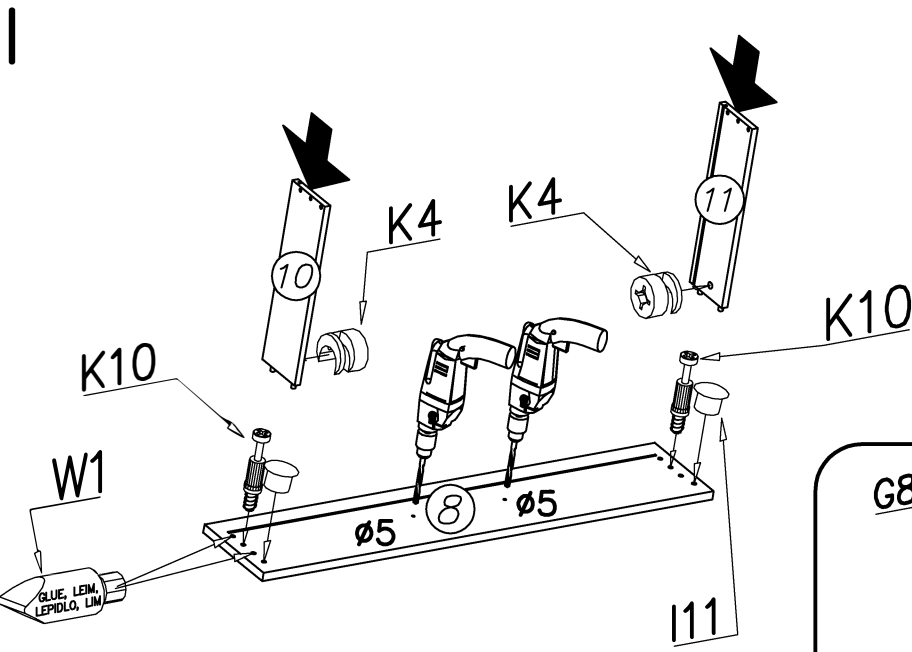
A



B

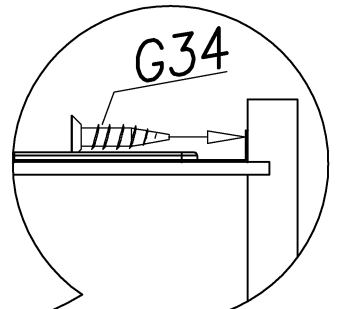
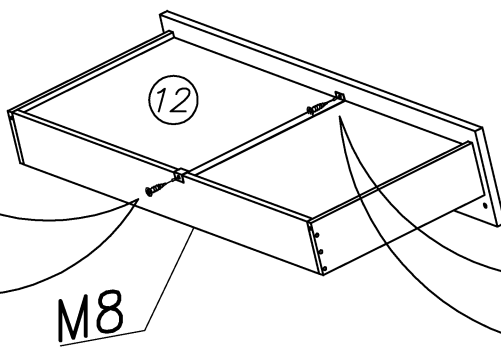
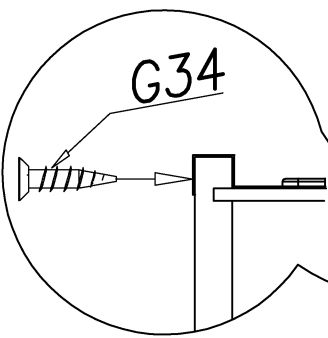
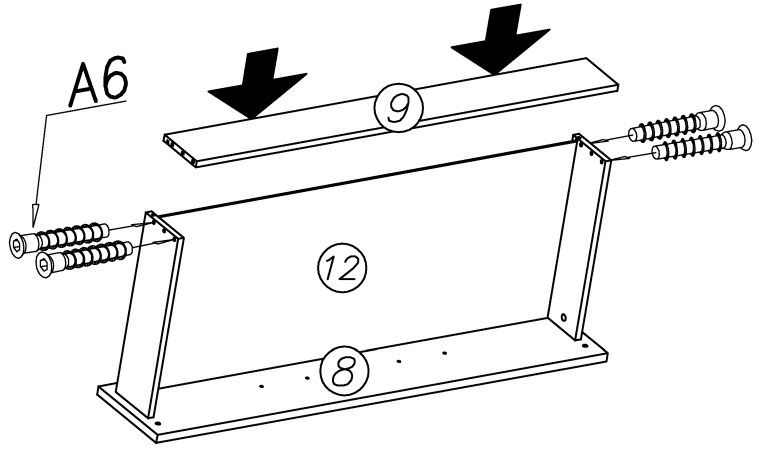
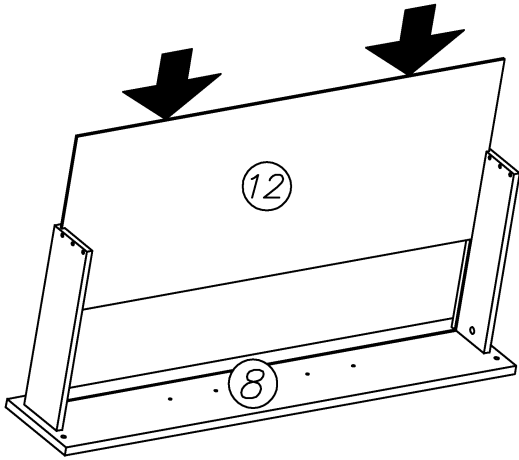
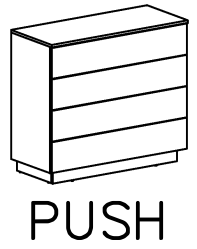
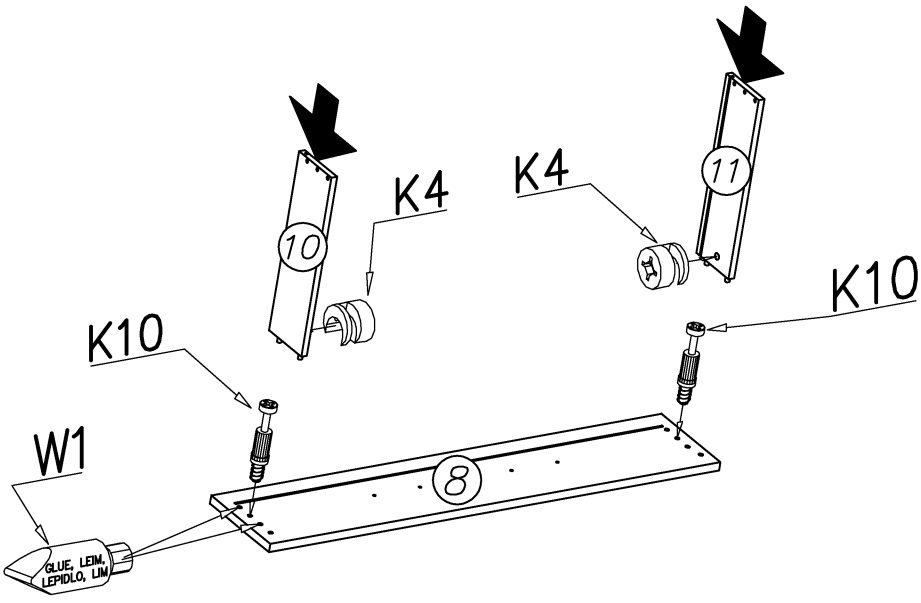


	<p>S1</p> <p>916mm x...(1)</p>	<p>I11</p> <p>∅10 x...(8)</p>	<p>M8</p> <p>350mm x...(4)</p>
<p>H23</p> <p>H27-350mm x...(4)</p>	<p>A6</p> <p>∅7x40 x...(16)</p>	<p>G20</p> <p>5x13 x...(32)</p>	<p>M11</p> <p>x...(1)</p>
	<p>W2</p> <p>x...(1)</p>	<p>I1</p> <p>x...(10)</p>	<p>W1</p> <p>GLUE, LEIM, LEPIDLO, LIM x...(2)</p>
<p>K1</p> <p>∅15x12 x...(8)</p>	<p>G8</p> <p>4x30 x...(8)</p>	<p>K4</p> <p>∅12x10 x...(8)</p>	<p>G34</p> <p>3,5x16 x...(70)</p>
<p>K10</p> <p>x...(16)</p>	<p>B1</p> <p>∅8x35 x...(8)</p>	<p>I7</p> <p>x...(8)</p>	<p>P4</p> <p>x...(6)</p>
			<p>W10</p> <p>700mm x...(1)</p>

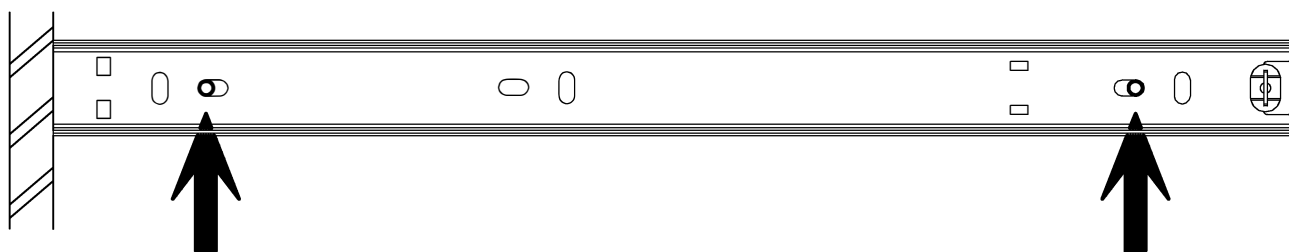
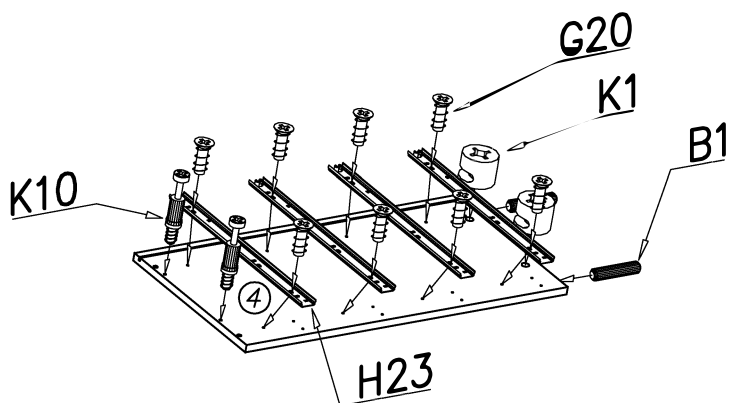
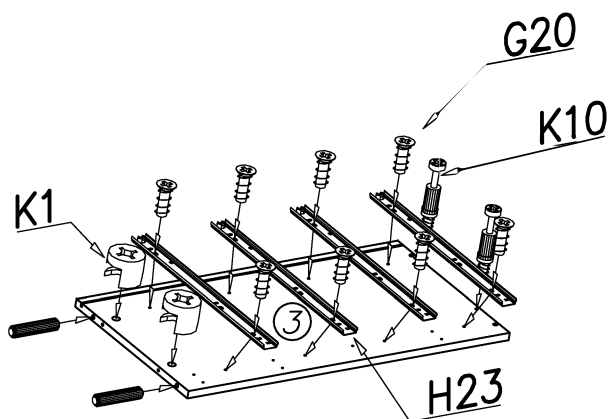
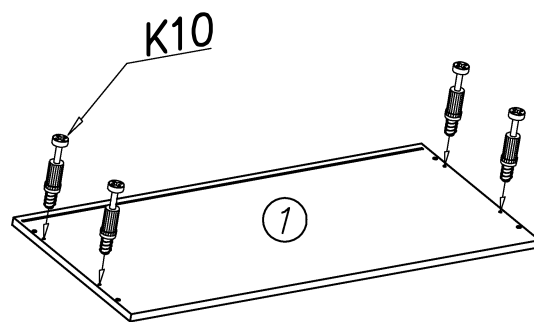
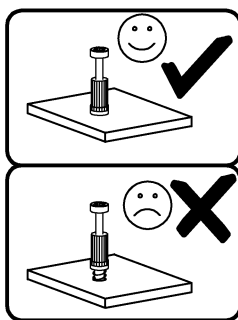
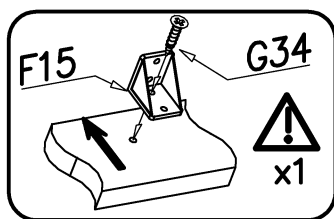
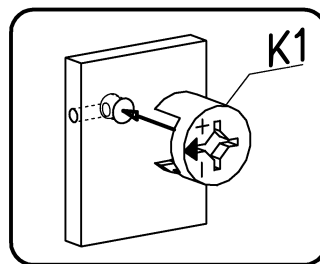
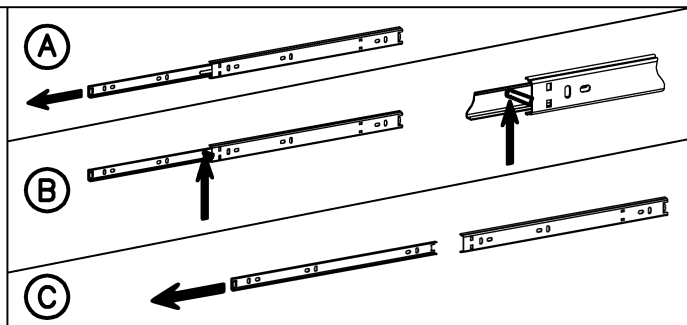
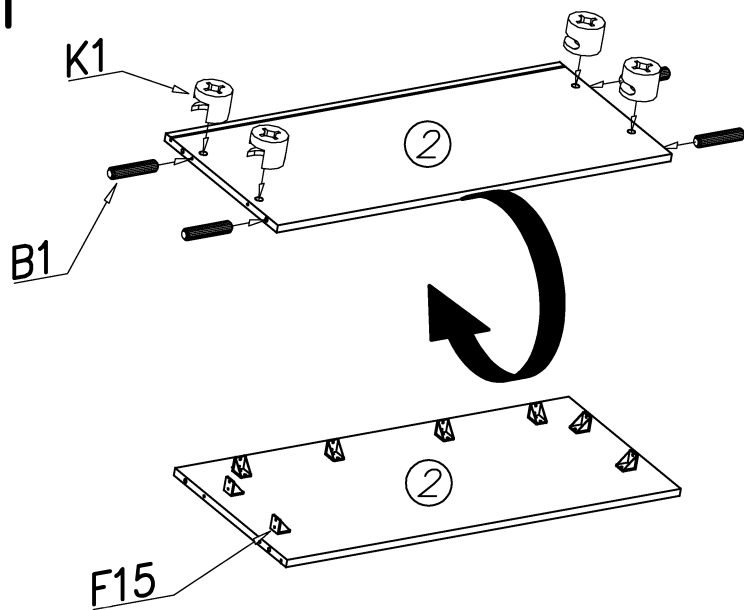


I

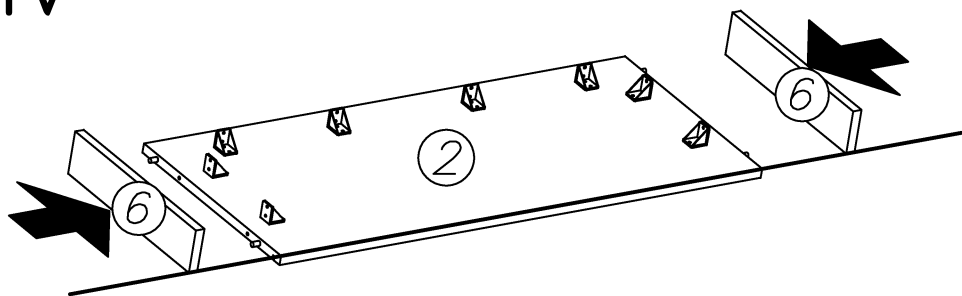
B



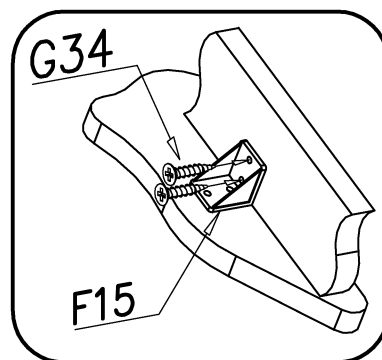
III



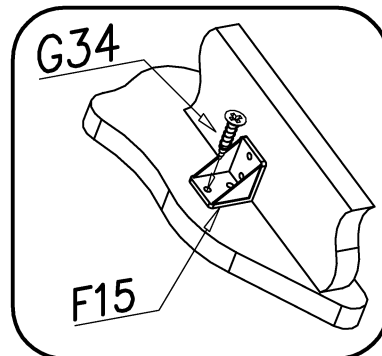
IV



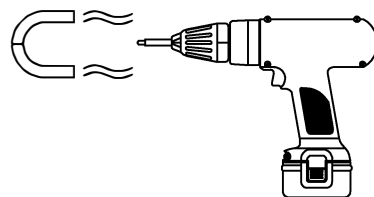
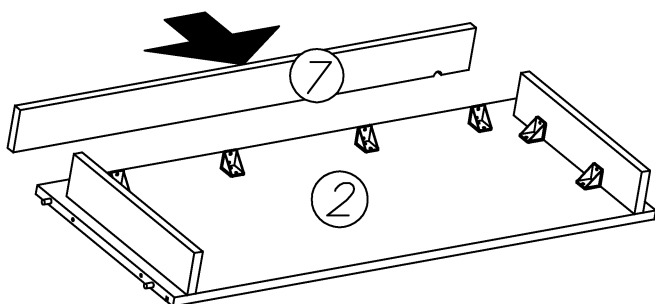
1.



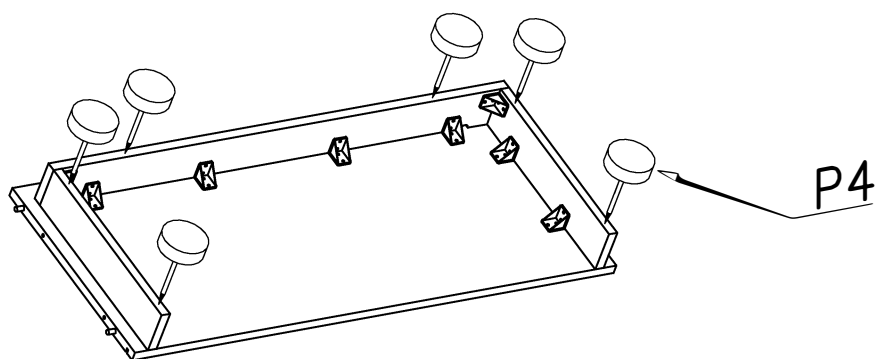
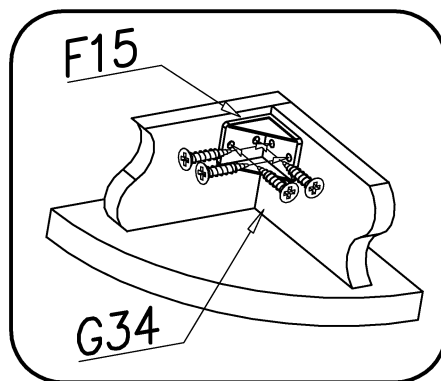
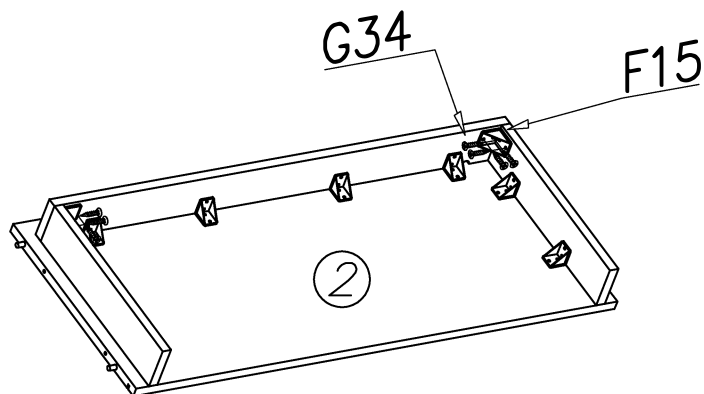
2.



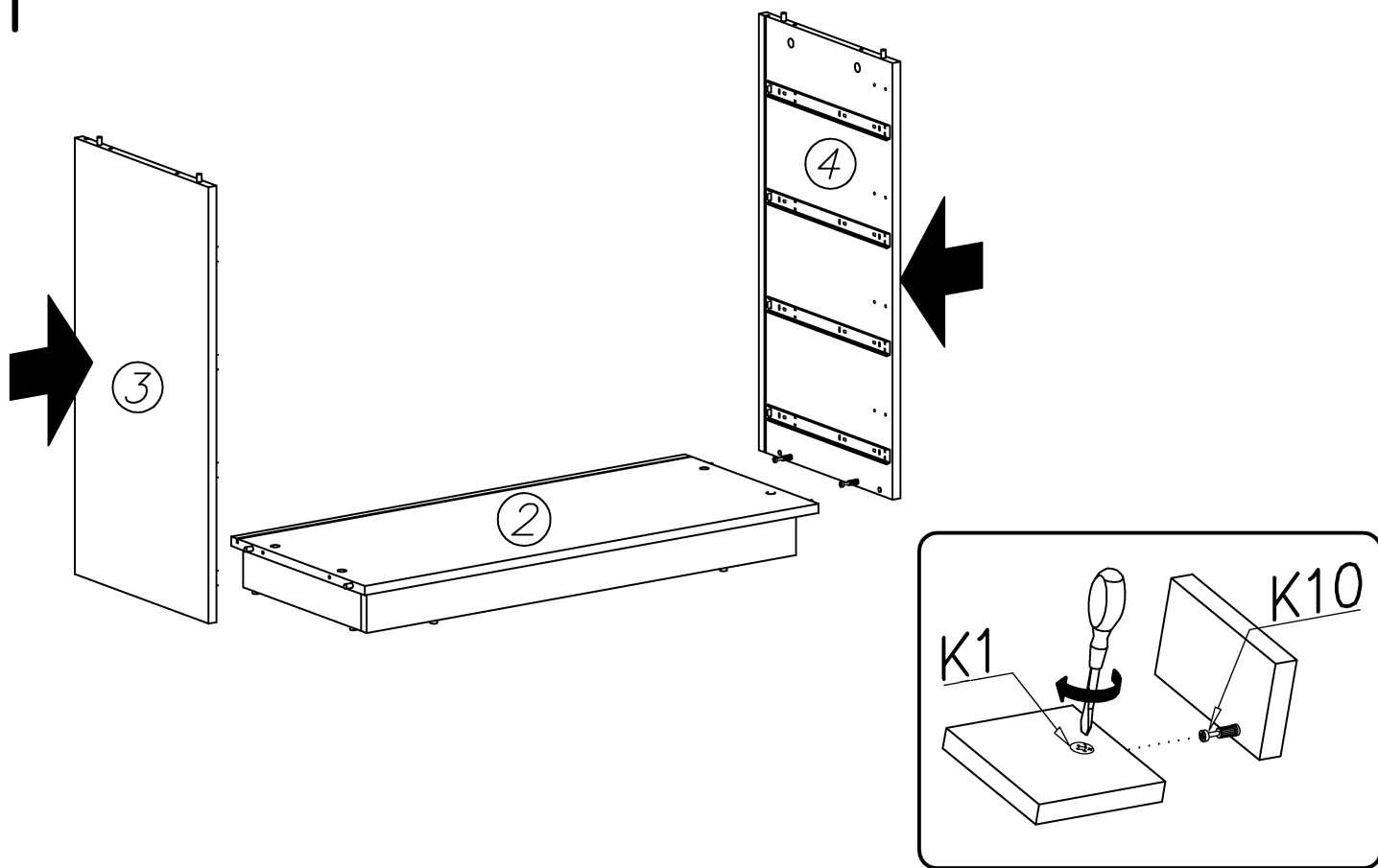
V



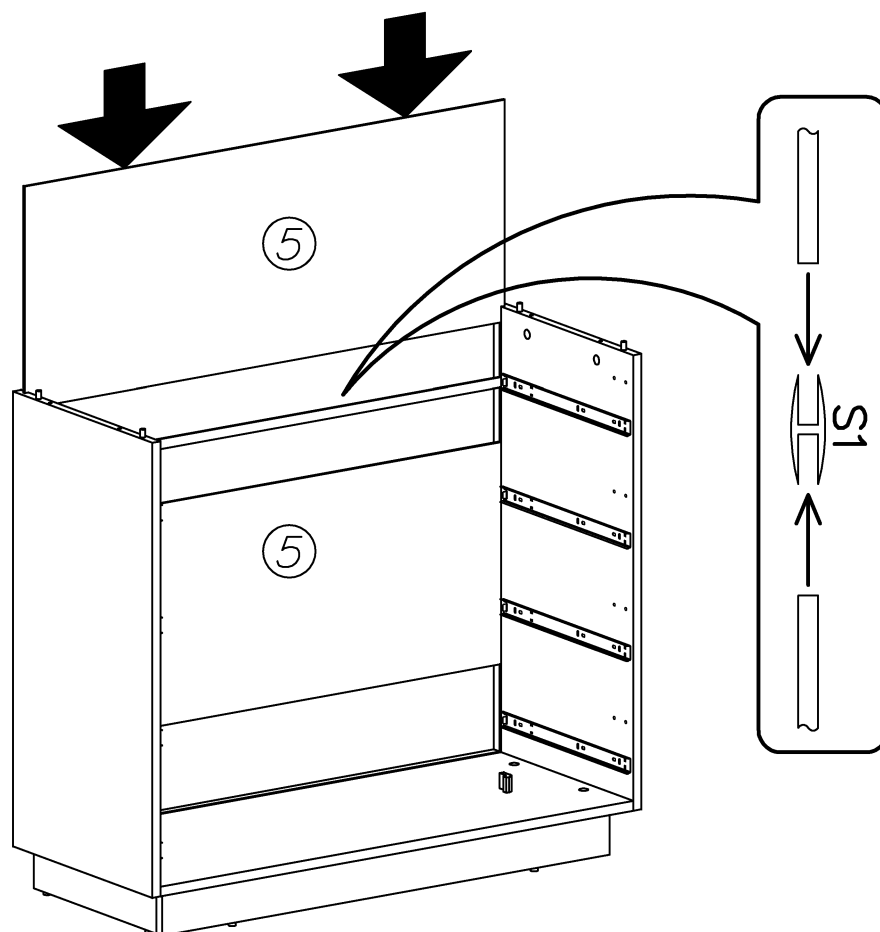
VI



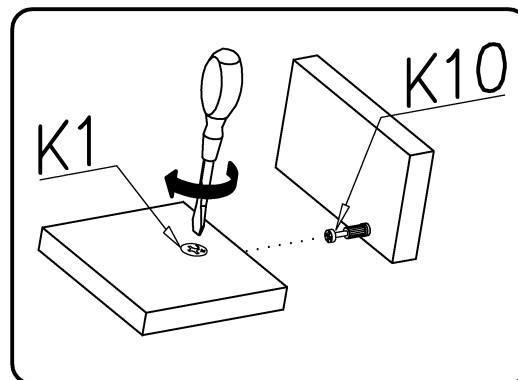
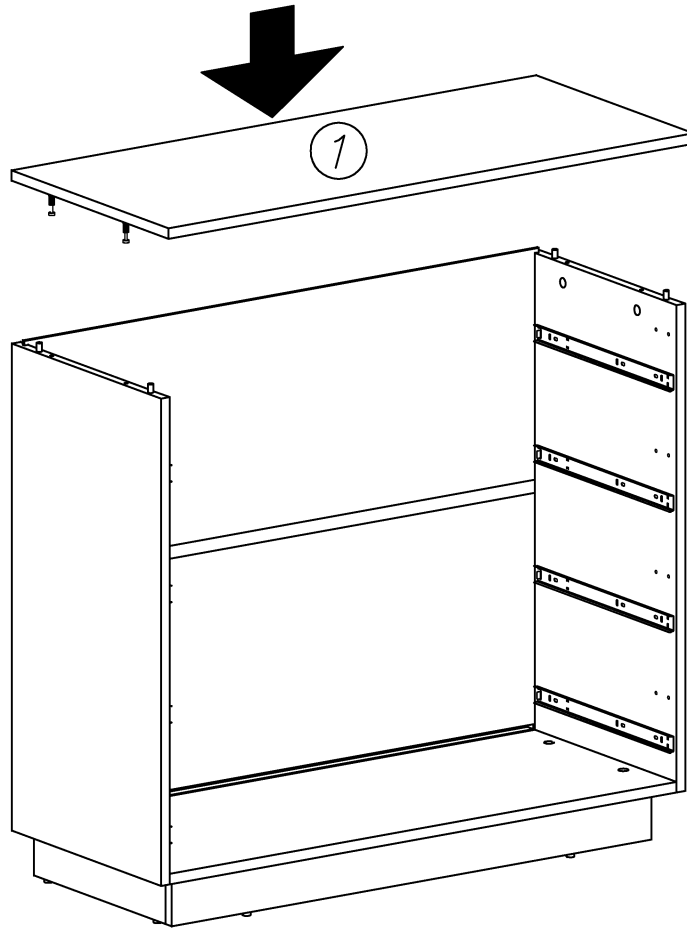
VII



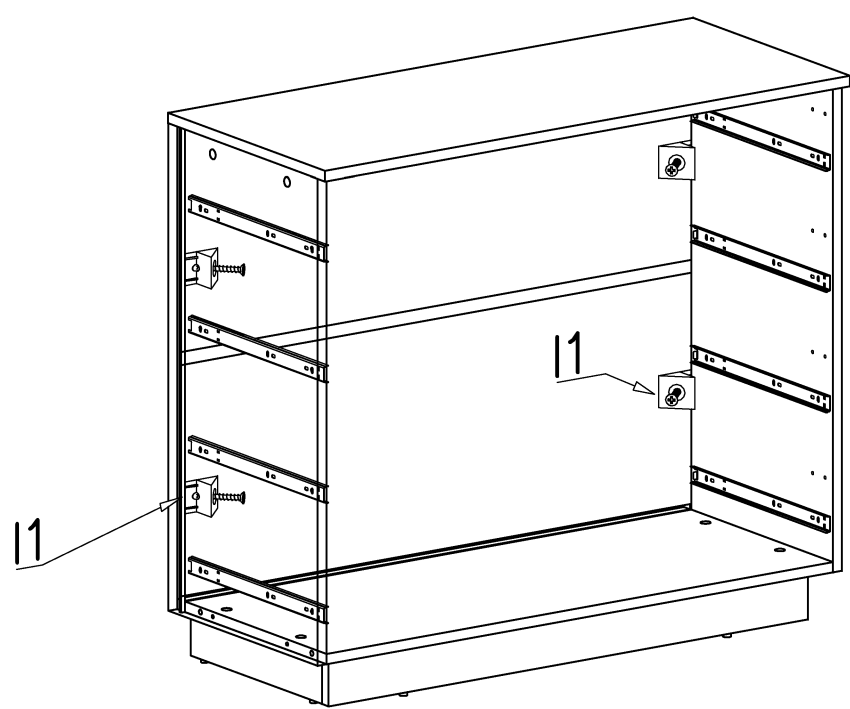
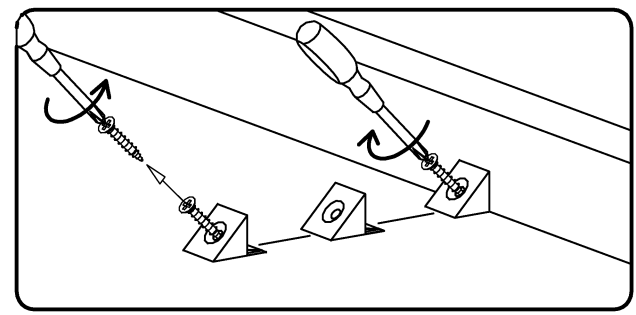
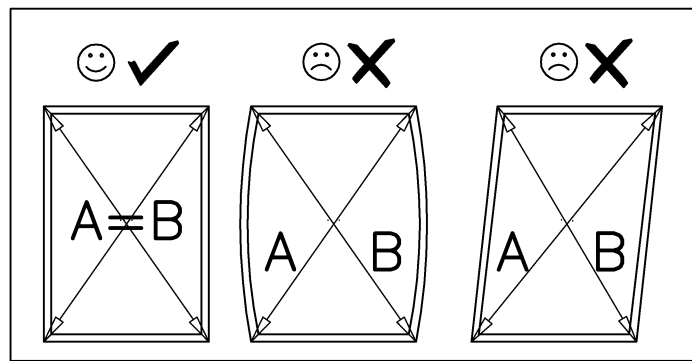
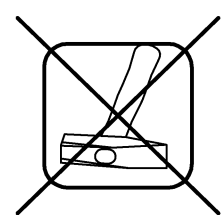
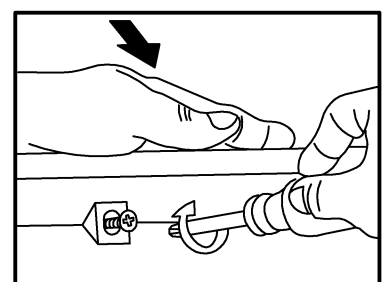
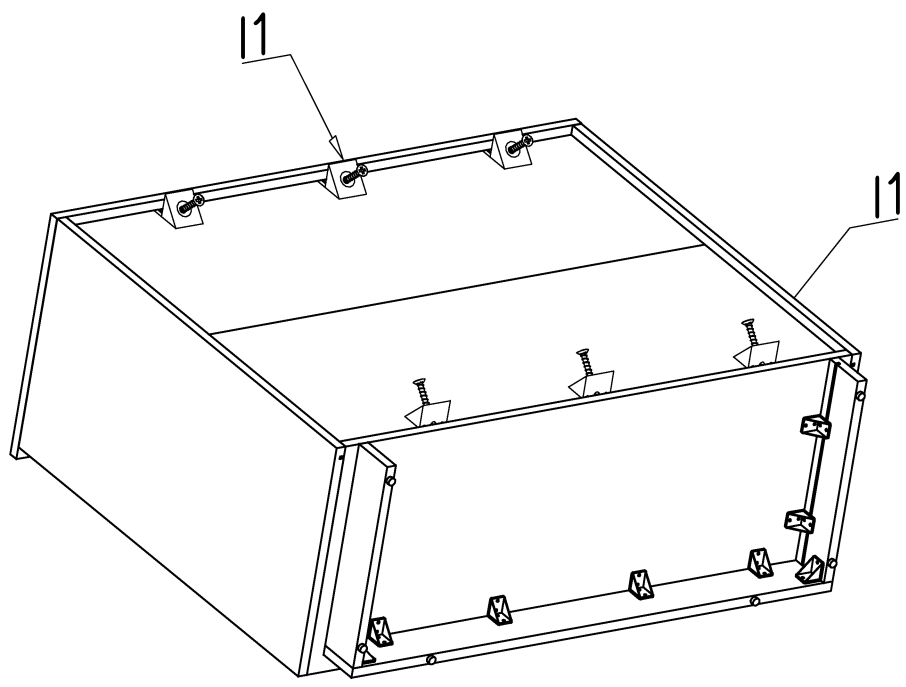
VIII



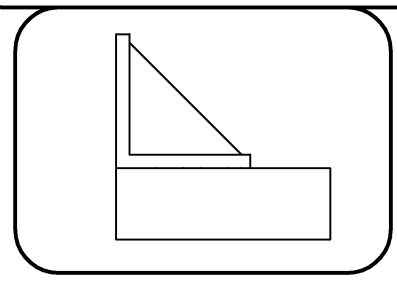
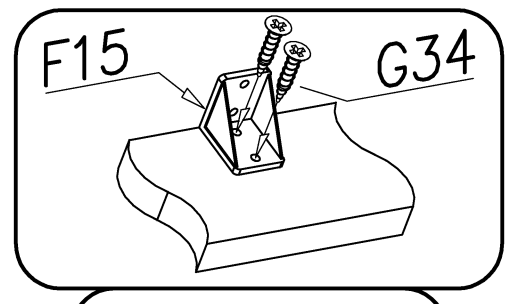
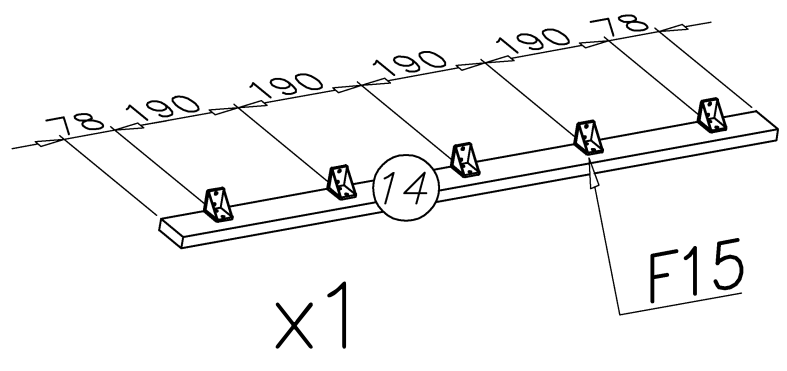
IX



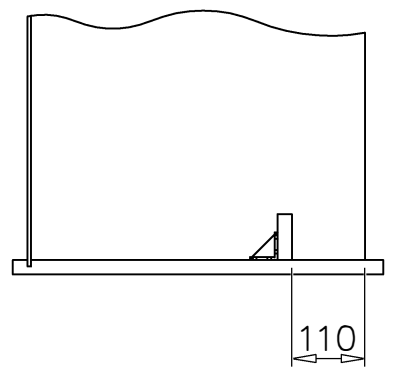
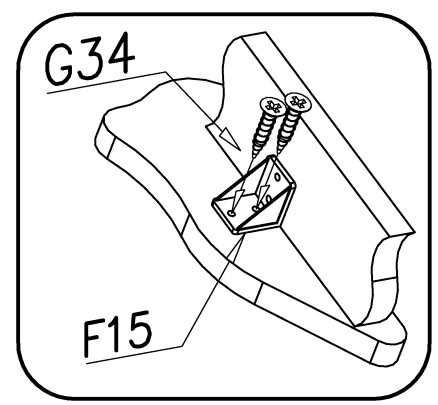
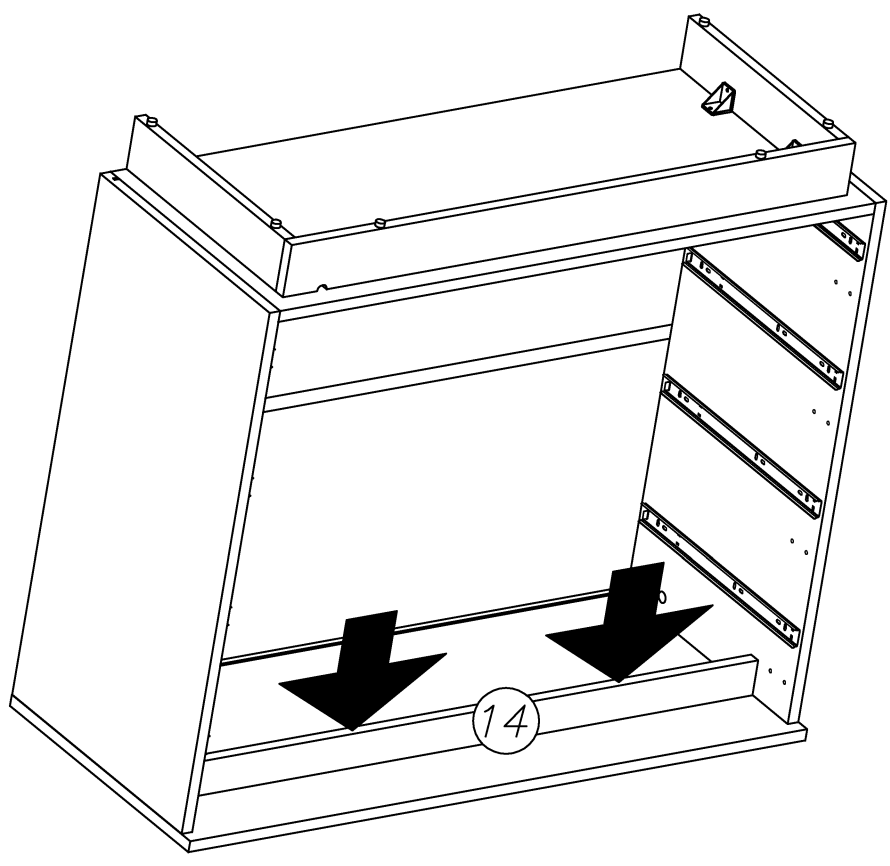
X



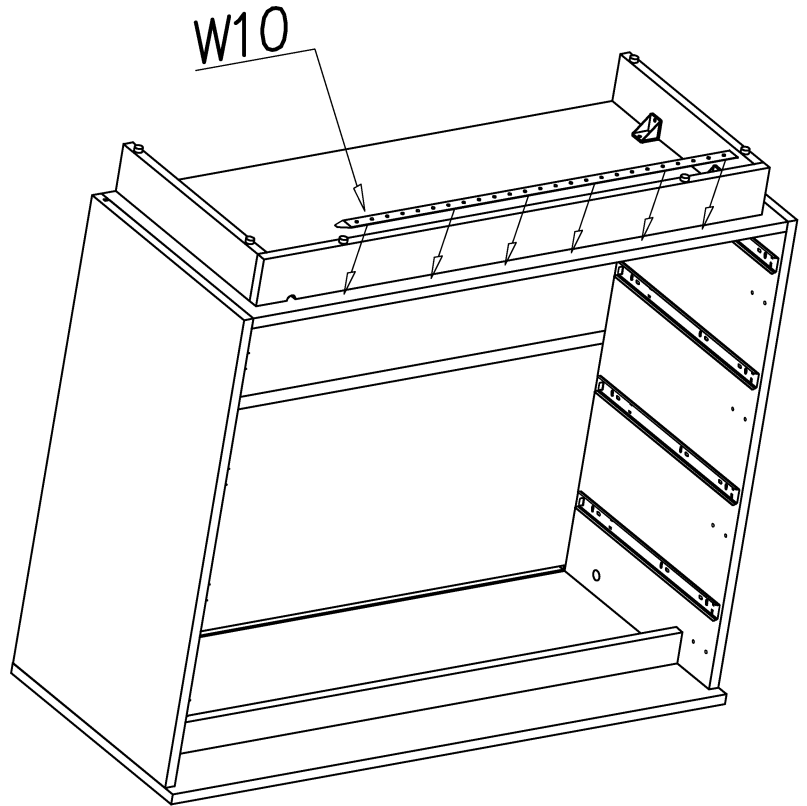
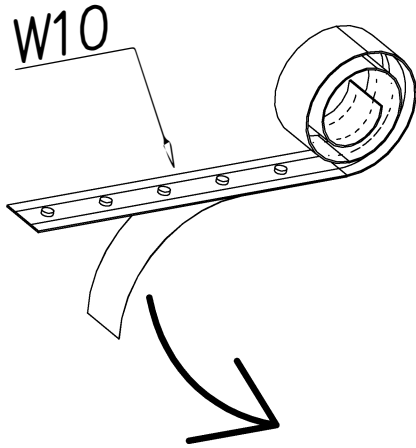
XI



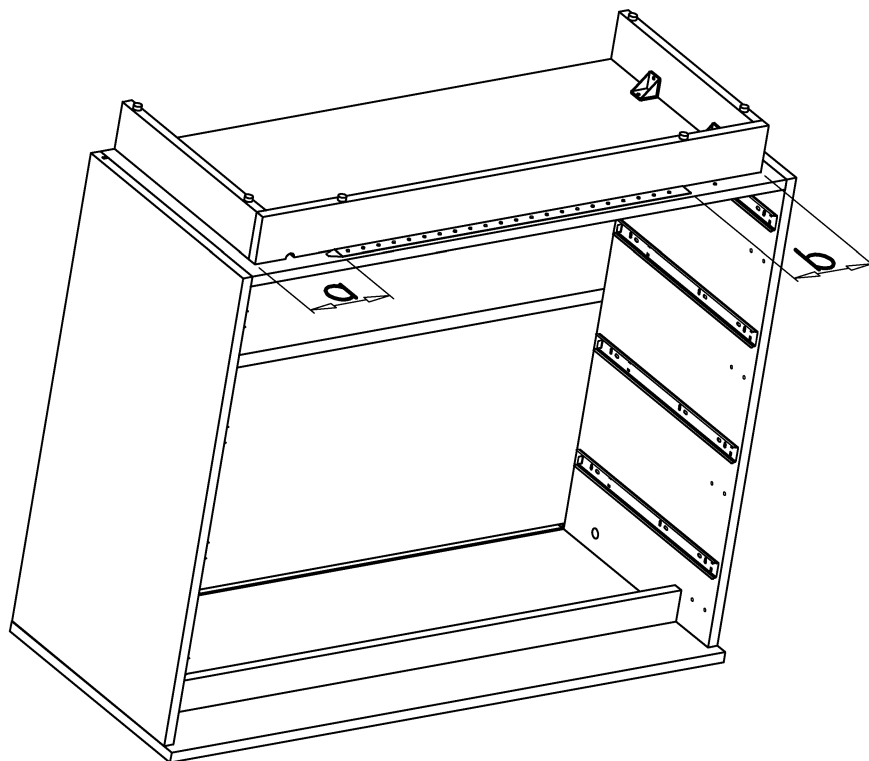
XII



XIII

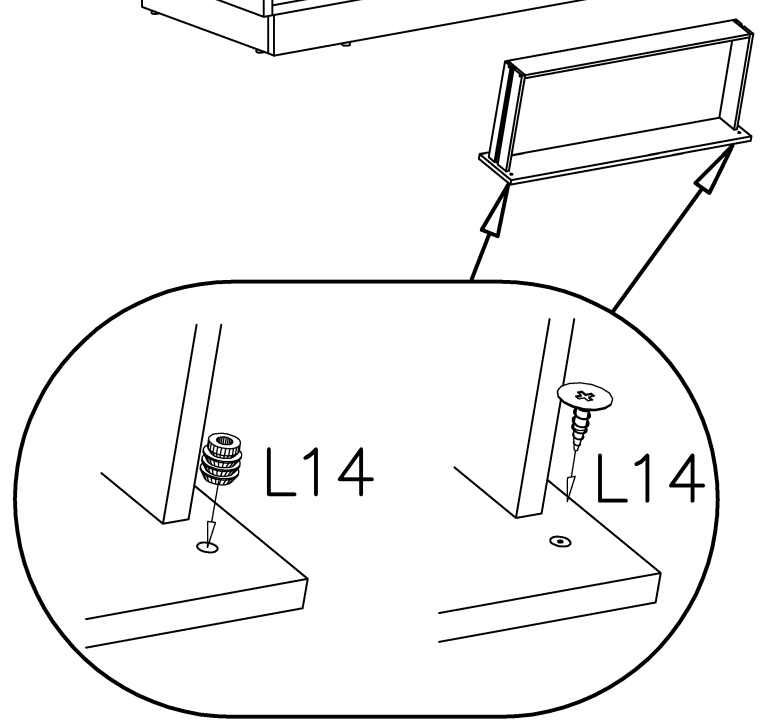
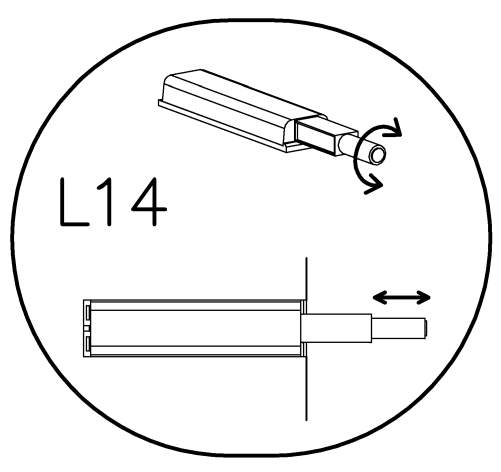
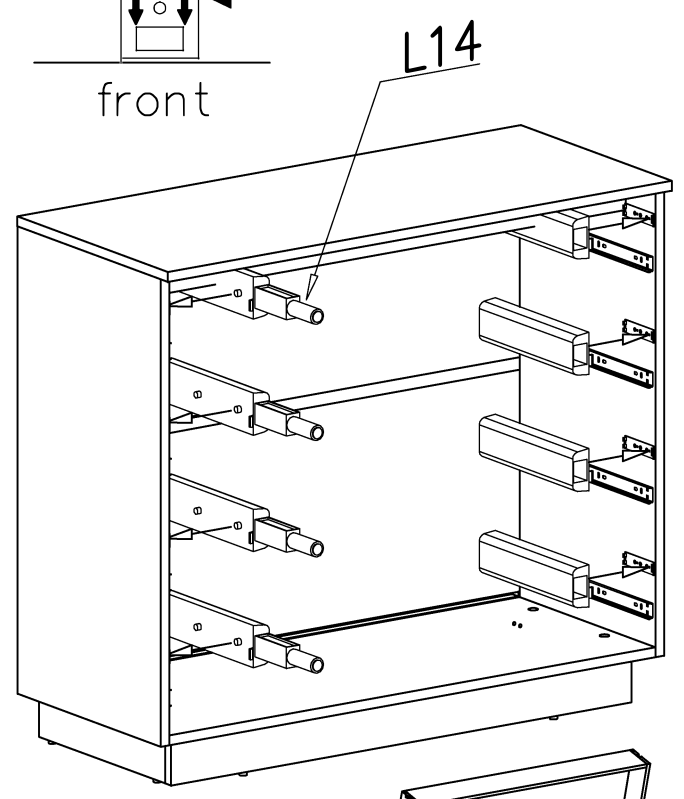
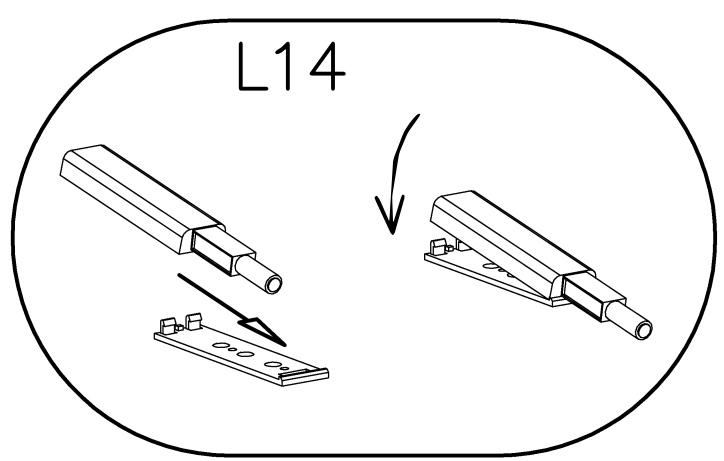
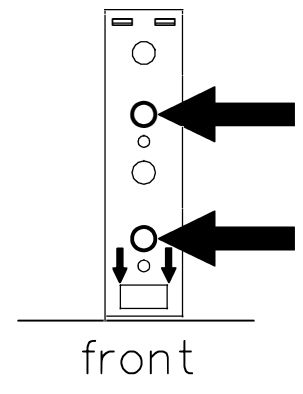
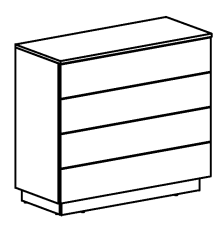
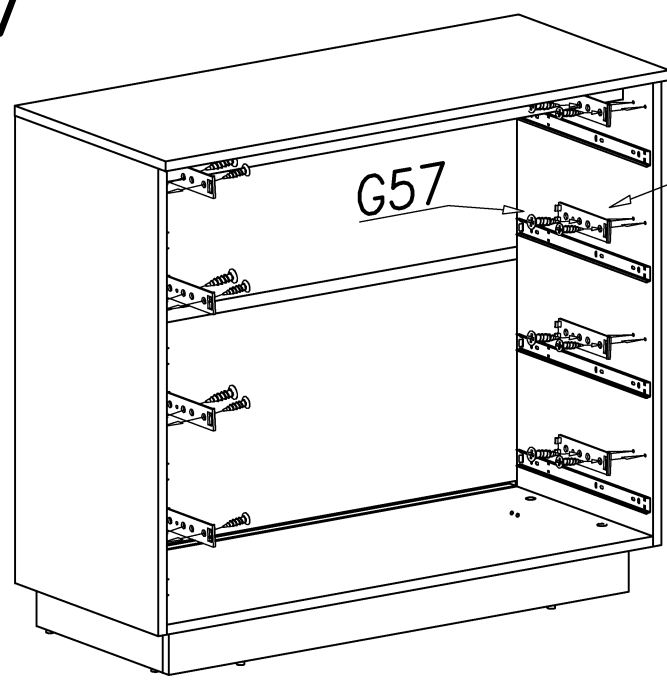


XIV

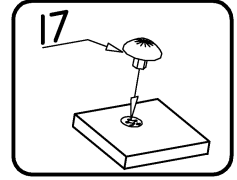
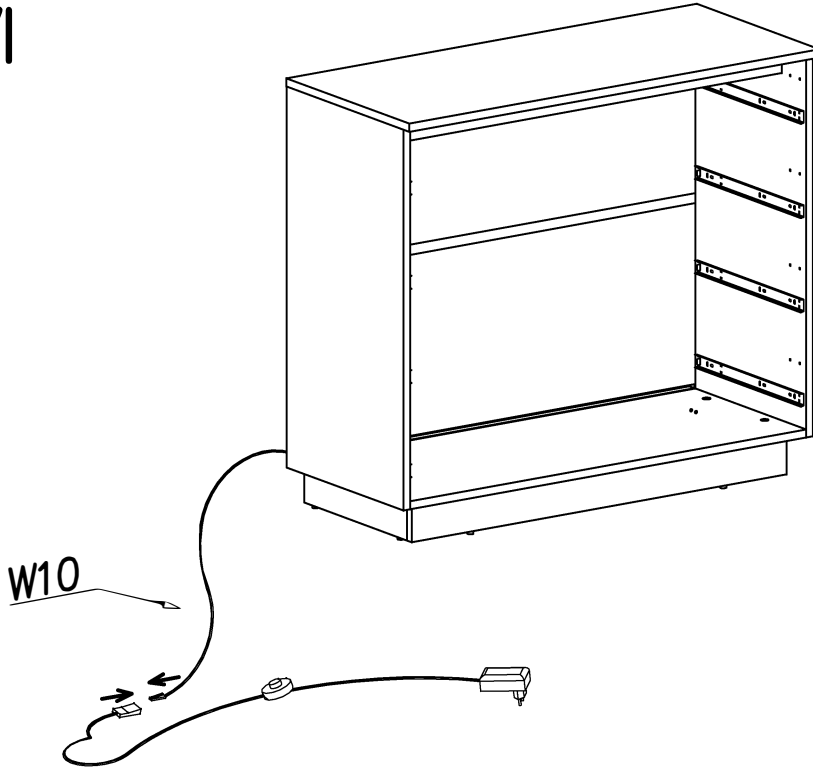
 $a=b$ 

XV

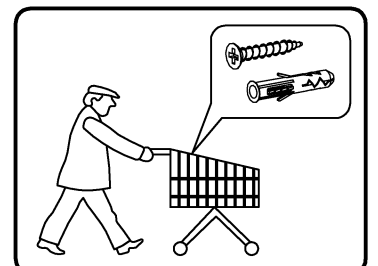
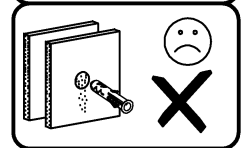
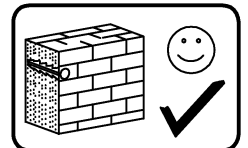
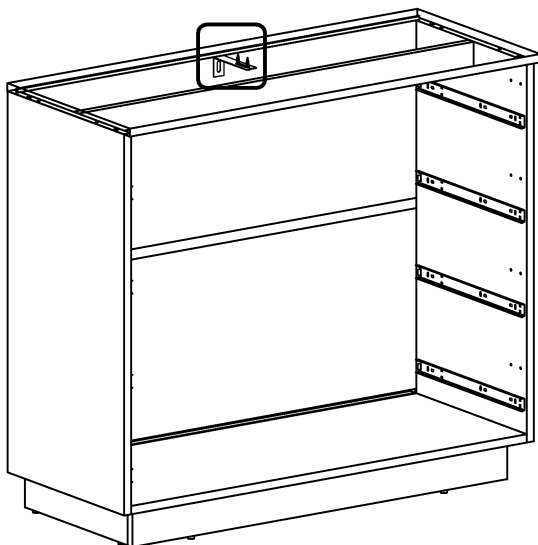
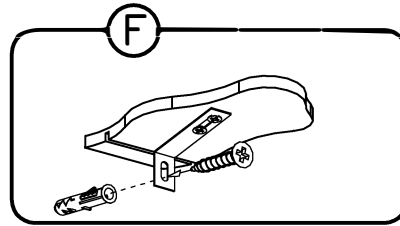
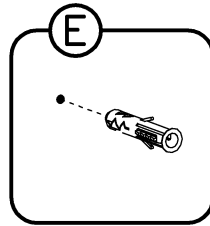
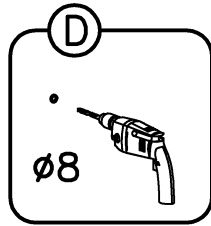
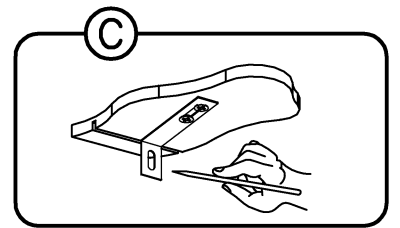
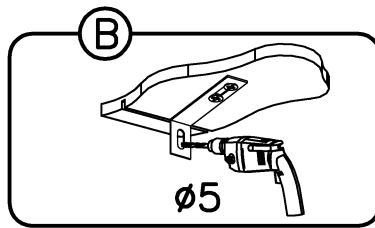
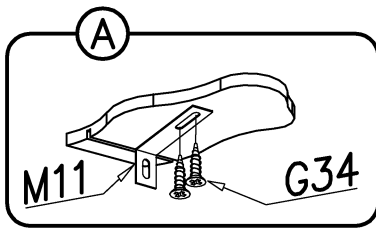
OPCJA B



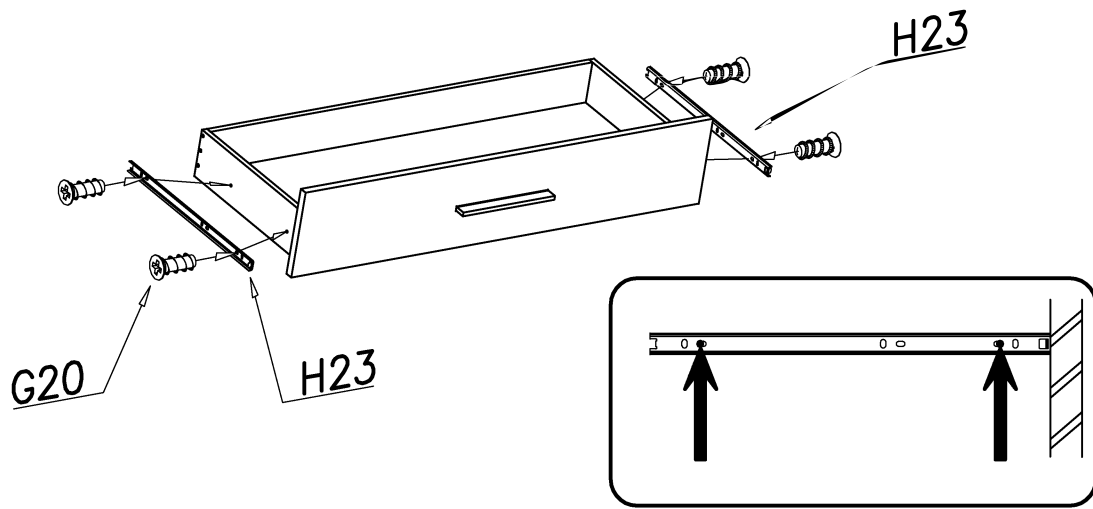
XVI



XVII



XVIII



XIX

