



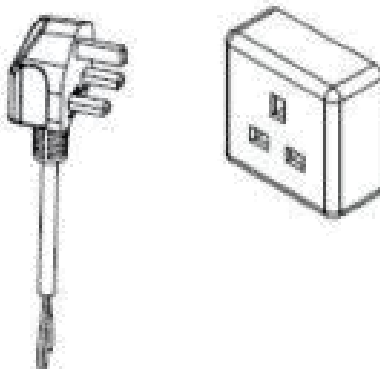
ELECTRIC FIREPLACE

SAFETY & WARNINGS

- Only use this heater as described in this manual. Any other use is not recommended by the manufacturer, and may cause fire, electric shock, or other personal injury.
- **WARNING!** Read and understand this entire owner's manual, including all safety information, before plugging in or using this product. Failure to do so could result in fire, electric shock, serious personal injury, or death.
- **WARNING! INDOOR use only! NEVER use this heater outdoors!**
- Keep this owner's manual for future reference. If you sell or give this product away, make sure this manual accompanies this product.
- **ALWAYS** keep electric cords, home furnishings, drapes, clothing, papers, or other combustibles at least 3 feet (0.9m) away from the front of this heater, and away from the bottom, sides, and rear of this heater.
- **DO NOT** place the heater near a bed because objects such as pillows or blankets can fall off the bed and be ignited by the heater.
- **DO NOT COVER** this heater or block the air vents at all. Doing so could cause a fire.
- **AVOID** fire or electric shock! **NEVER** insert or allow any foreign objects to enter the ventilation or exhaust openings of this heater.
- **Prevent Fire!** Keep all flammable liquids, like gasoline or paint, away from this heater. This heater produces arcing sparks that could ignite flammable liquids.
- **DO NOT** cover this heater in any manner. Doing so could block the air flow and cause the unit to overheat, or could ignite the material covering the heater.
- **NEVER** run the power cord under carpet, rugs, runners, or any other covering. Doing so could cause the cord or materials covering the cord to overheat.

- AVOID FIRE! Regularly inspect all air vents to make sure they are free from dust, lint, or other blockage.
- Unplug the unit and clean with a vacuum ONLY. DO NOT rinse or get wet.
- For residential use only! NOT for commercial use! NEVER use this fireplace for other than its intended purpose.
- Only use this insert with the mantel that came with the insert. NEVER use a mantel from another manufacturer.
- NEVER use this electric fireplace insert unless it is properly installed in the correct mantel.
- Use extreme caution if using this heater near children, or where children may be present.
- NEVER leave this heater unattended. ALWAYS unplug this heater when not in use. This heater is hot when in use. AVOID INJURY! DO NOT TOUCH hot surfaces, or attempt to move this heater while it is hot.
- Risk of electric shock! DO NOT OPEN! No user-serviceable parts inside!
- ALWAYS disconnect this unit from the power supply before performing any assembly or cleaning, or before relocating the electric fireplace.
- ALWAYS store this heater in a dry location. NEVER use the fireplace if it has become wet.
- NEVER use this heater in bathrooms, laundry rooms, or any other location where the heater could fall into a bathtub or pool, become damp or come in contact with water.
- NEVER hang this unit on a wall directly below an electrical outlet.
- NEVER operate this heater if the power cord or plug has become damaged, or if the grounding pin is damaged or missing.
- ONLY use this heater on a 250Volt 16Amp grounded circuit. NEVER overload the circuit.If this heater trips the circuit breaker, unplug all other appliances on the same circuit before the next use. Avoid plugging other appliances into the same circuit as this heater.

- NEVER plug this heater into an outlet that is old, cracked, or has any loose wires or connections. Plugging this heater into a faulty outlet could result in electric arcing within the outlet that could cause the outlet to overheat or catch fire.
- ALWAYS check your heater cord and plug connections with each use!
- MAKE SURE the plug fits tight in the outlet! Faulty wall outlet connections or loose plugs can cause the outlet to overheat.
- Heaters draw more current than small appliances. Overheating may occur even if it has not occurred with the use of other appliances.
- During use check frequently to see if the plug outlet or face plate is HOT!
- If the outlet or face plate is HOT, discontinue use immediately and have a qualified electrician inspect and/or replace the faulty outlets.
- The cord supplied with the heater has a plug with three flat blades (live, neutral and ground). If a 3-slot receptacle is not available, an adapter MUST be used. The adapter MUST be properly grounded to the outlet box (see figure at right).



OPERATION

Read and understand this entire owner's manual, including all safety information, before plugging in or using this product. Failure to do so could result in electric shock fire, serious injury, or death.

Power

- Make sure the ON/OFF switch, located on the control panel, is in the OFF position. Plug the power cord into a 250Volt 16Amp grounded outlet (see IMPORTANT SAFETY INFORMATION on Pages 2 to 4). Make sure the outlet is in good condition and that the plug is not loose. NEVER exceed the maximum amperage for the circuit. DO NOT plug other appliances into the same circuit.

Methods of Operation

- The fireplace control functions can be accessed in two ways:
 1. Using the control panel, located on the upper right-hand of the fireplace (Fig.2).
 2. Using the remote control(Fig.4), functions same as control panel (Fig.3).

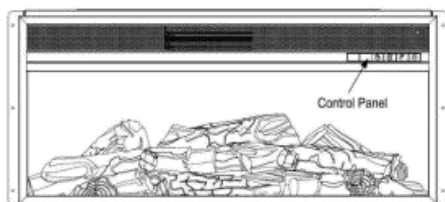


Fig.2

Control Panel:

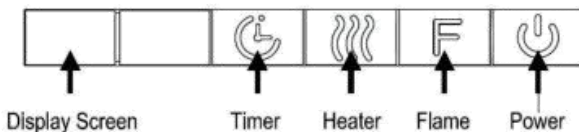






Fig.3

BUTTON	ACTION / FUNCTION	INDICATION / RESULT
	<ol style="list-style-type: none"> 1. Press once to turn on flame effect, fuel bed lights, and enable control panel & remote control. 2. Press again to turn off flame effect, and shut off power to remote control, and all functions. 	<ol style="list-style-type: none"> 1. Flame effect and fuel bed turn on. Indicator light turns on. Control panel & remote control are enabled. 2. Flame effect and indicator light turn off. The control panel and remote control will not function.
	<p>The FLAME button controls the brightness of the flame effect.</p> <p>Press the button to set the flame effect from the highest to lowest setting.</p>	<p>The flame effect cycles through different levels, then returns to the original level.</p> <p>The highest level is 5. There are totally 5 levels flame of the flame brightness (5,4,3,2,1).</p>
	<p>Flame effect must be ON for heater to function.</p> <ol style="list-style-type: none"> 1. Press once for "L" heat (900W). 2. Press twice for "H" heat (1800W). 3. Press the third time for "Auto" function(A), after that the thermostat starts to work and to setup desired setting before BLUE indicator light fading way. 	<ol style="list-style-type: none"> 1. Heater & fan turn on low (900W). Indicator light turns on. Warm air blows. 2. Heater & fan turn on high (1800W). Indicator light turns on. Hot air blows. 3. The highest temperature of thermostat is 36°C and the lowest is 18°C. The thermostat is adjustable by 2 °C. Once activate the HEATER, the display screen will display the heater setting in using accordingly shortly. You may turn off the HEATER BY this button as well.
	<p>Timer function</p> <p>Press the TIMER button will turn on the timer function</p>	<p>Press the timer button will cycle through the 10 timer settings (30mins, 1H, 2H, 3H, 4H, 5H, 6H, 7H, 8H, 9H). The display screen will present the setting shortly.</p>

Notice

- To improve operation, DO NOT press the buttons too quickly. Give the unit time to respond to each command.
- When the heater is first turned on, a slight odor may be present. This is normal and should not occur again unless the heater is not used for a long period of time.

Warning

- NEVER leave heater unattended during operation! Failure to do so could result in personal injury or property damage.

Infrared Remote Control:



Fig.4

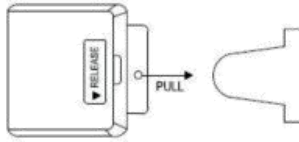


Fig.5

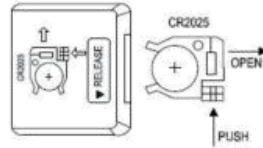


Fig.6

- Remote control requires one 3V CR2025 Lithium Cell Battery (included).
- Remove the protective sheet between the battery and the contacts in order to operate (see Fig. 5 and Fig.6).

Replace The Remote Control Battery

- When the remote control stops operating or its range seems reduced, it is time to replace the battery with a new one.
1. The battery compartment is located on the back end of the remote.
 2. Press and slide the battery door open and remove the old battery.
 3. Insert a CR2025 battery, checking that the "+" and "-" terminals of the battery matches the inside of the battery compartment.
 4. Replace the battery compartment door.
- **DO NOT** mix old and new batteries.
 - **DO NOT** use rechargeable silver oxide cell batteries with remote control unit.
 - **DO NOT** mix alkaline. Standard (Carbon-zinc). Or rechargeable (Nickle - Cadmium) batteries.
 - **DO NOT** dispose of batteries in fire. Improper disposal may cause batteries to leak or explode.

COMPONENTS



①: Base (x1)



②: Left Front Panel
(x1)



③: Right Front Panel
(x1)



④: Left Side Panel
(x1)



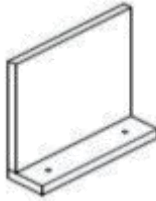
⑤: Right Side Panel
(x1)



⑥: Lower Front Panel
(x1)



⑦: Upper Front Panel
(x1)



⑧: Support Panel
(x2)



⑨: Top Panel (x1)



⑩: Cam Bolt (x24)

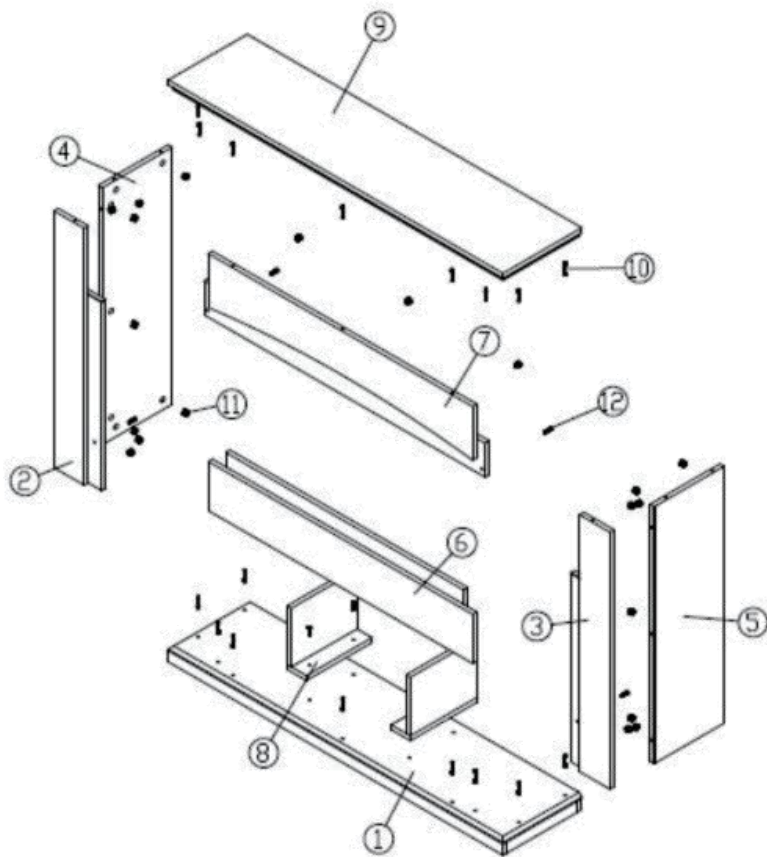


⑪: Cam Lock (x24)



⑫: Bolt (x8)
Dia. 6 x 25mm

PART LIST

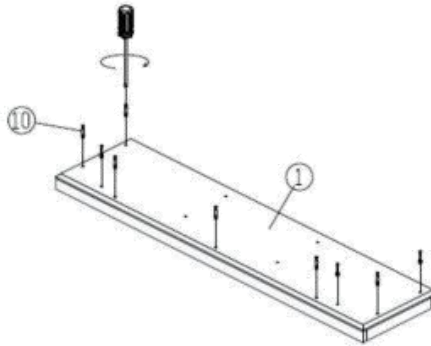


ASSEMBLY

Step 1

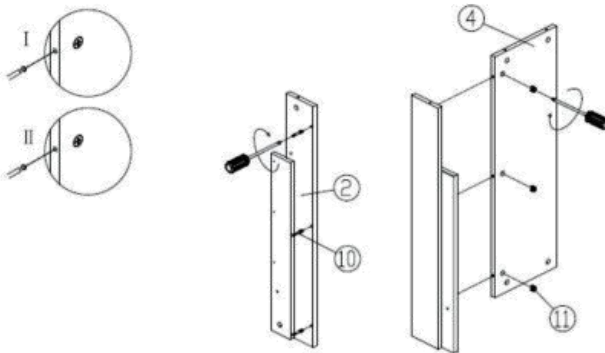
Screw cam bolts (⑩) into holes on base (①).

Note: Please do not over tighten the cam bolts, please stop when you feel tight.



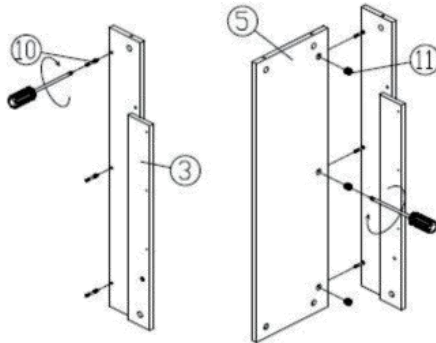
Step 2

Screw cam bolts (⑩) into holes on left front panel (②). Insert cam bolts (⑩) into holes on left side panel (④). Tighten by rotating cam locks (⑪) clockwise with a screwdriver.



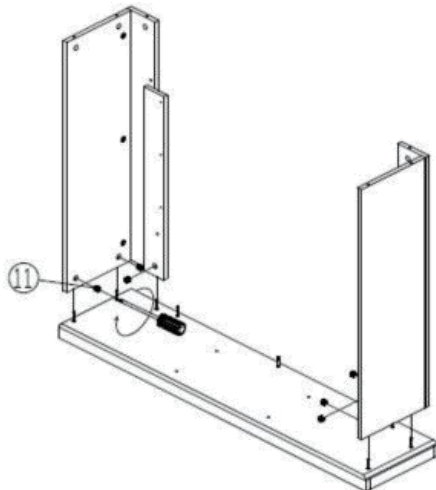
Step 3

Screw cam bolts (10) into holes on right front panel (3). Insert cam bolts (10) into holes on right side panel (5). Tighten by rotating cam locks (11) clockwise with a screwdriver.



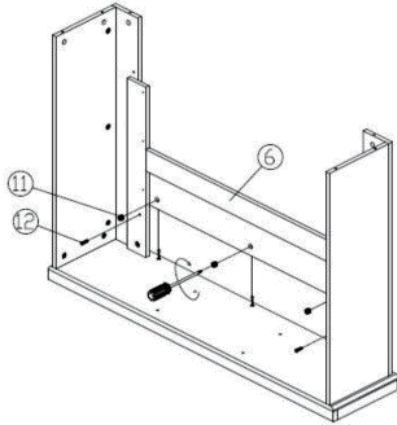
Step 4

Attach the assembled unit of step 2 and the assembled unit of step 3 to base (1) by inserting cam bolts (10) into corresponding holes. Tighten by rotating cam locks (11) clockwise with a screwdriver.



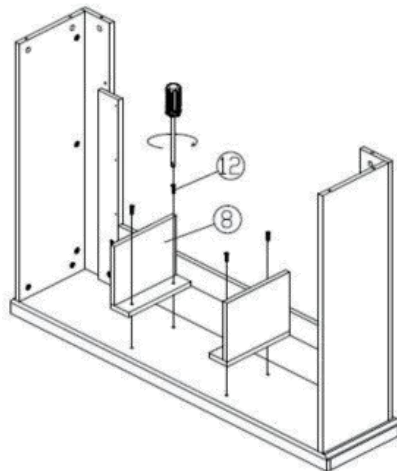
Step 5

Insert cam bolts (⑩) into holes on lower front panel (⑥). Tighten by rotating cam locks (⑪) clockwise with a screwdriver. Connect lower front panel (⑥) to left front panel (②) and right front panel (③) by bolts (⑫).



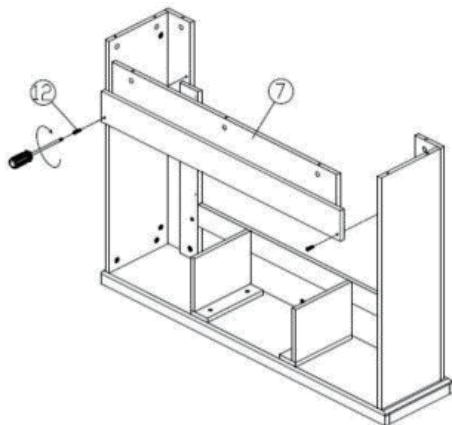
Step 6

Screw 2 pieces of support panels (⑧) into holes on base (①) by bolts (⑬).



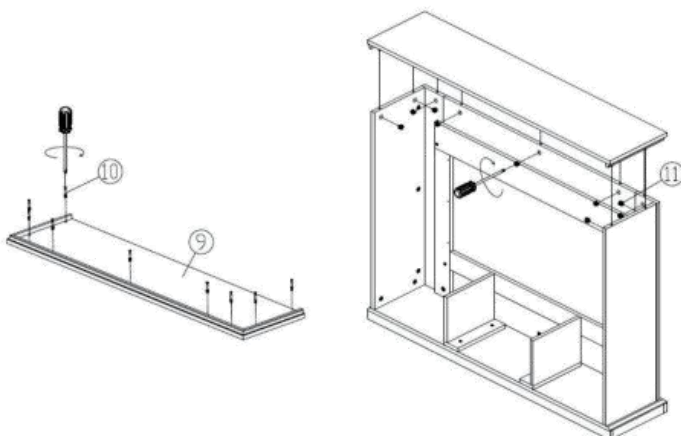
Step 7

Connect upper front panel (7) to left front panel (2) and right front panel (3) by bolts (12).



Step 8

Screw cam bolts (10) into holes on top panel (9). Insert cam bolts (10) into holes on the top edges of the assembled unit of step 7. Tighten by rotating cam locks (11) clockwise with a screwdriver.



INSTALLATION

Step 1:

Slide insert into mantel from behind. Center insert in opening with trim flush against inner surface of front mantel wall.

Step 2:

Thread 6 screws (1) through holes in trim and into mantel frame. Check insert alignment and tighten all screws securely with a screwdriver.

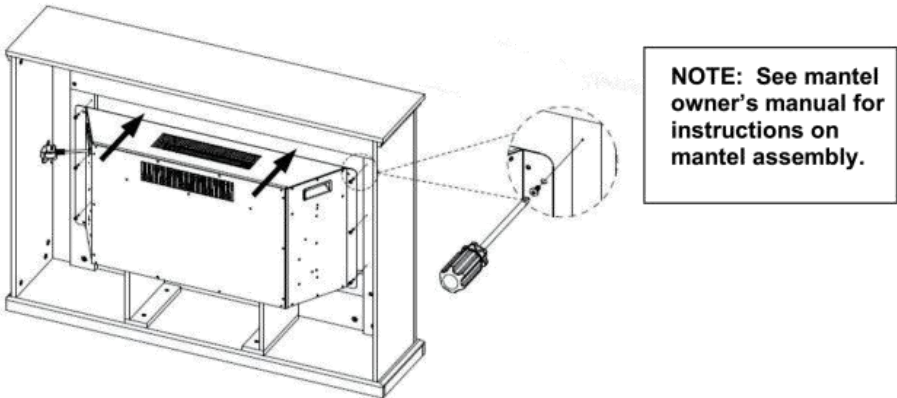


Fig.1

CLEANING & CARE

ALWAYS turn the heater OFF and unplug the power cord from the outlet before cleaning, performing maintenance, or moving this fireplace. Failure to do so could result in electric shock, fire, or personal injury.

Cleaning:

- NEVER immerse in water or spray with water. Doing so could result in electric shock, fire, or personal injury.

Metal:

- Buff using a soft cloth, slightly dampened with a citrus oil-based product.
- DO NOT use brass polish or household cleaners as these products will damage the metal trim.

Glass:

- Use a good quality glass cleaner and dry thoroughly with a paper towel or lint-free cloth.
- NEVER use abrasive cleansers, liquid sprays, or any cleaner that could scratch the surface.

Vents:

- Use a vacuum or duster to remove dust and dirt from the heater and vent areas.
- Clean the exterior of the fireplace with a slightly damp cloth or duster.

Maintenance:

- Risk of electric shock! DO NOT OPEN! No user-serviceable parts inside!
- ALWAYS turn the heater OFF and unplug the power cord from the outlet before cleaning, performing maintenance, or moving this fireplace. Failure to do so could result in electric shock, fire, or personal injury.

Electrical and Moving Parts:

- The fan motors are lubricated at the factory and will not require lubrication.
- Electrical components are integrated in the fireplace and are not serviceable by the consumer.

Storage:

- Store heater in a clean dry place when not in use.
- **WARNING!** No other servicing should be performed by the consumer. Do not attempt to service the unit yourself.

LED Light Inspection and Replacement:

- **Note:** The flame effect on this electric fireplace insert is created by LED Bulbs.
- The life of these LED bulbs will be 100,000 hours. The users are not recommended to replace the LED Bulbs. For any reason should the bulbs stop working properly, contact a qualified technician.



Meaning of Crossed-Out Wheeled Dustbin:

- Do not dispose of electrical appliances as unsorted municipal waste, use separate collection facilities.
- Contact your local government for information regarding the collection systems available.
- If electrical appliances are disposed of in landfills or dumps, hazardous substances can leak into the groundwater and get into the food chain, damaging your health and well-being.
- When replacing old appliances with new ones, the retailer is legally obligated to take back your old appliance for disposal at least free of charge.