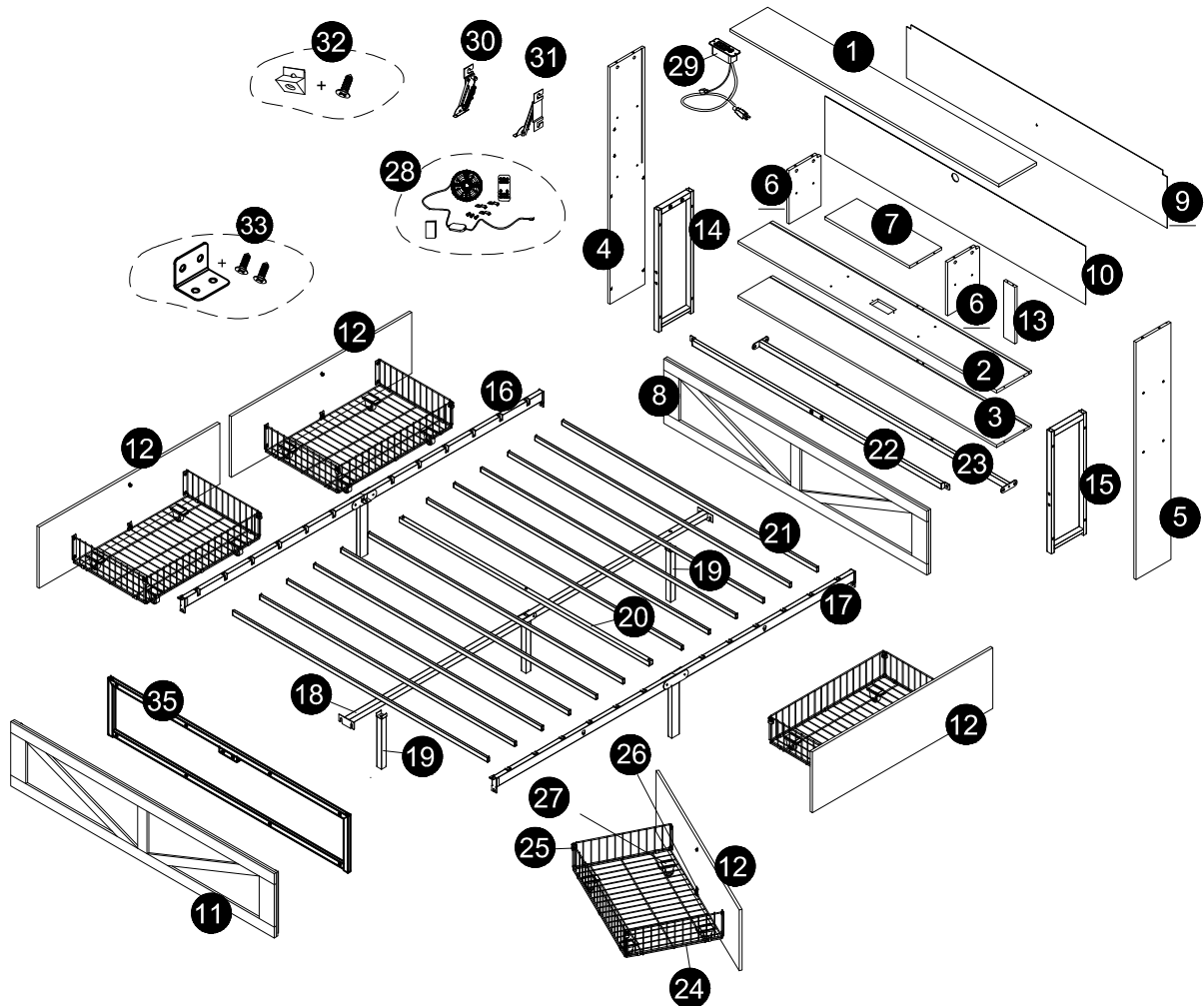


Note:

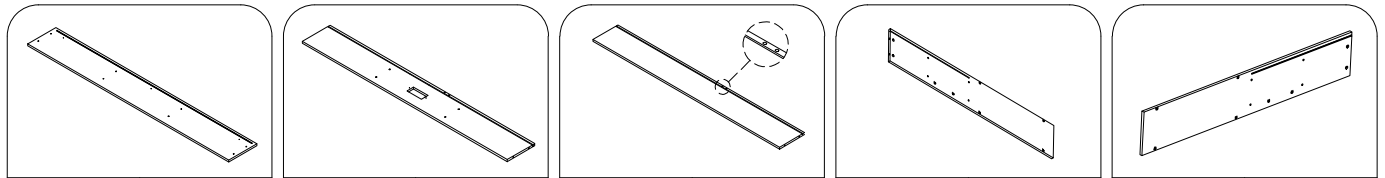
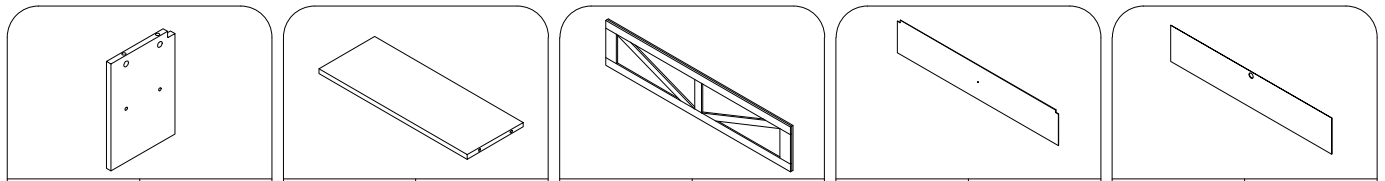
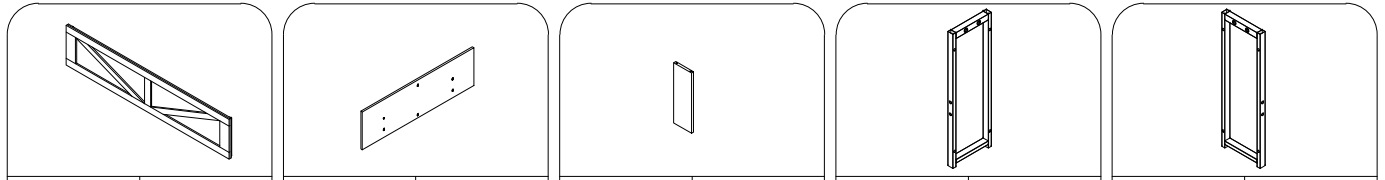
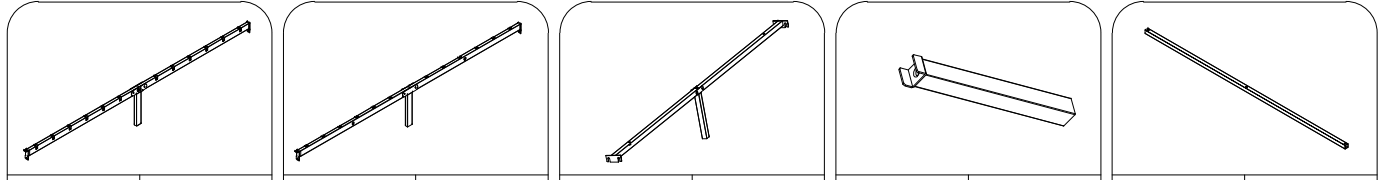
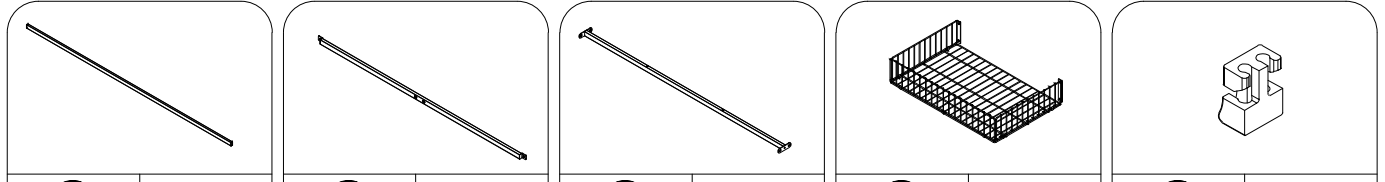
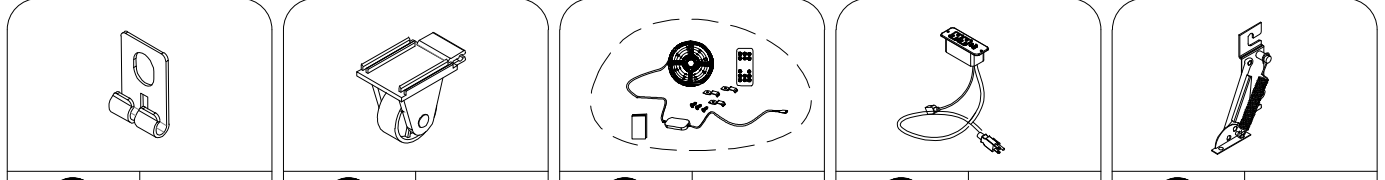
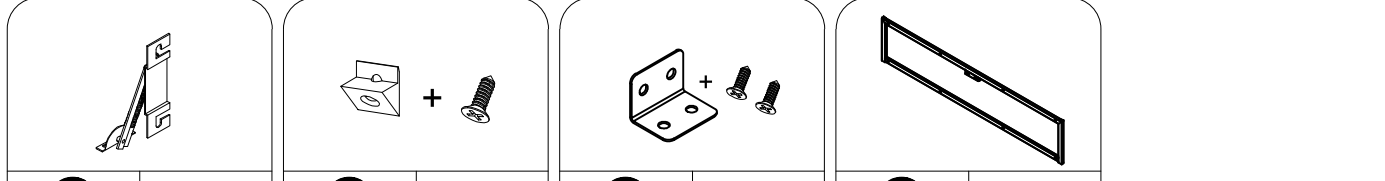
Should be assembled on flat ground to keep balance.

It needs at least two people to install.

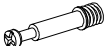

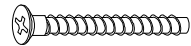


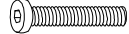

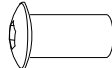
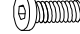
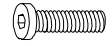

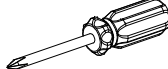


Before starting the assembly, you must read the whole manual and follow the instructions.



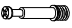

! Pls make sure all the accessories are complete!

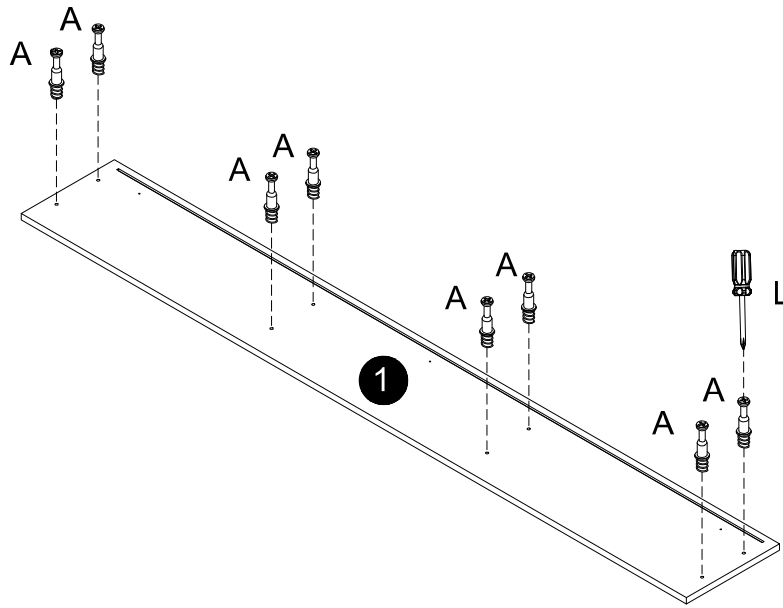
	1	1PC	2	1PC	3	1PC	4	1PC	5	1PC
	6	2PCS	7	1PC	8	1PC	9	1PC	10	1PC
	11	1PC	12	4PCS	13	1PC	14	1PC	15	1PC
	16	1PC	17	1PC	18	1PC	19	2PCS	20	1PC
	21	12PCS	22	1PC	23	1PC	24	4PCS	25	8PCS
	26	4PCS	27	16PCS	28	1PC	29	1PC	30	1PC
	31	1PC	32	8PCS	33	1PC	35	1PC		

! Pls make sure all the accessories are complete!

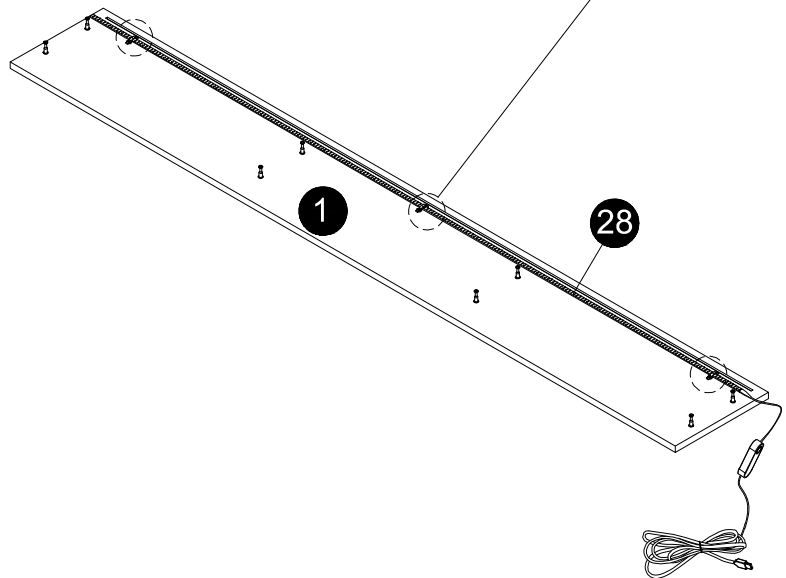
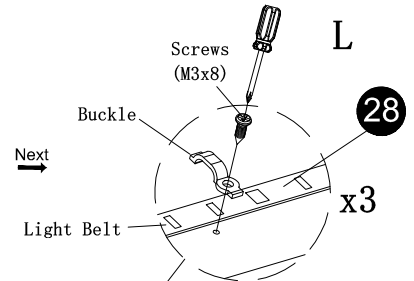
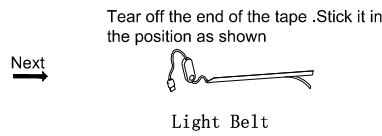
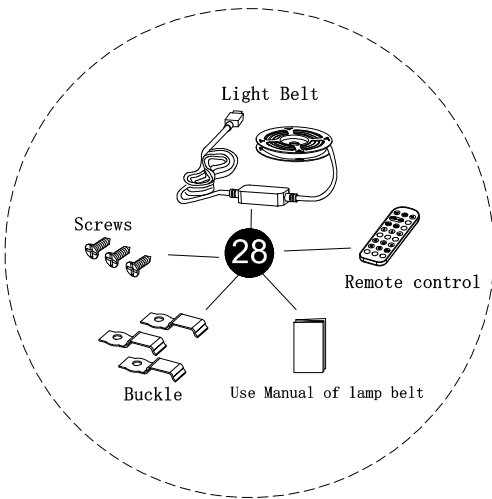
 A (8+1)PCS	 B (8+1)PCS	 5*35mm C (21+2)PCS	 4*12mm D (2+1)PCS	 M6*10mm E (34+3)PCS
 M6*34mm F (12+1)PCS	 M6*55mm G (1+1)PCS	 M6*15mm H (2+1)PCS	 M8*12mm I (14+1)PCS	 M8*25mm J (2+1)PCS
 M8*35mm K (2+1)PCS	 L 1PC	 4mm M 2PCS	 M6*24mm N (8+1)PCS	

Step 1



A			8pcs
L			1pc

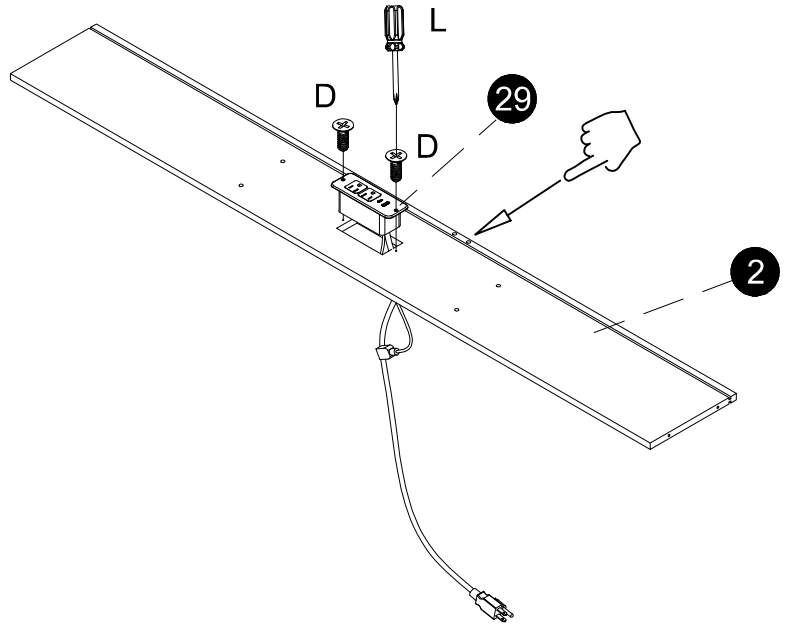


Step 2

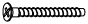



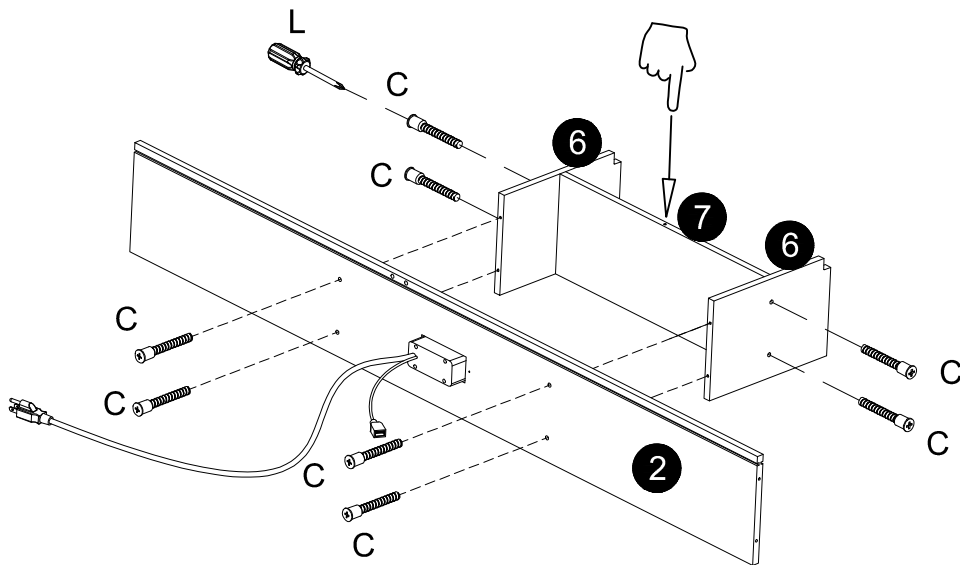
Step 3

D		M4x12	2pcs
L			1pc

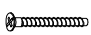



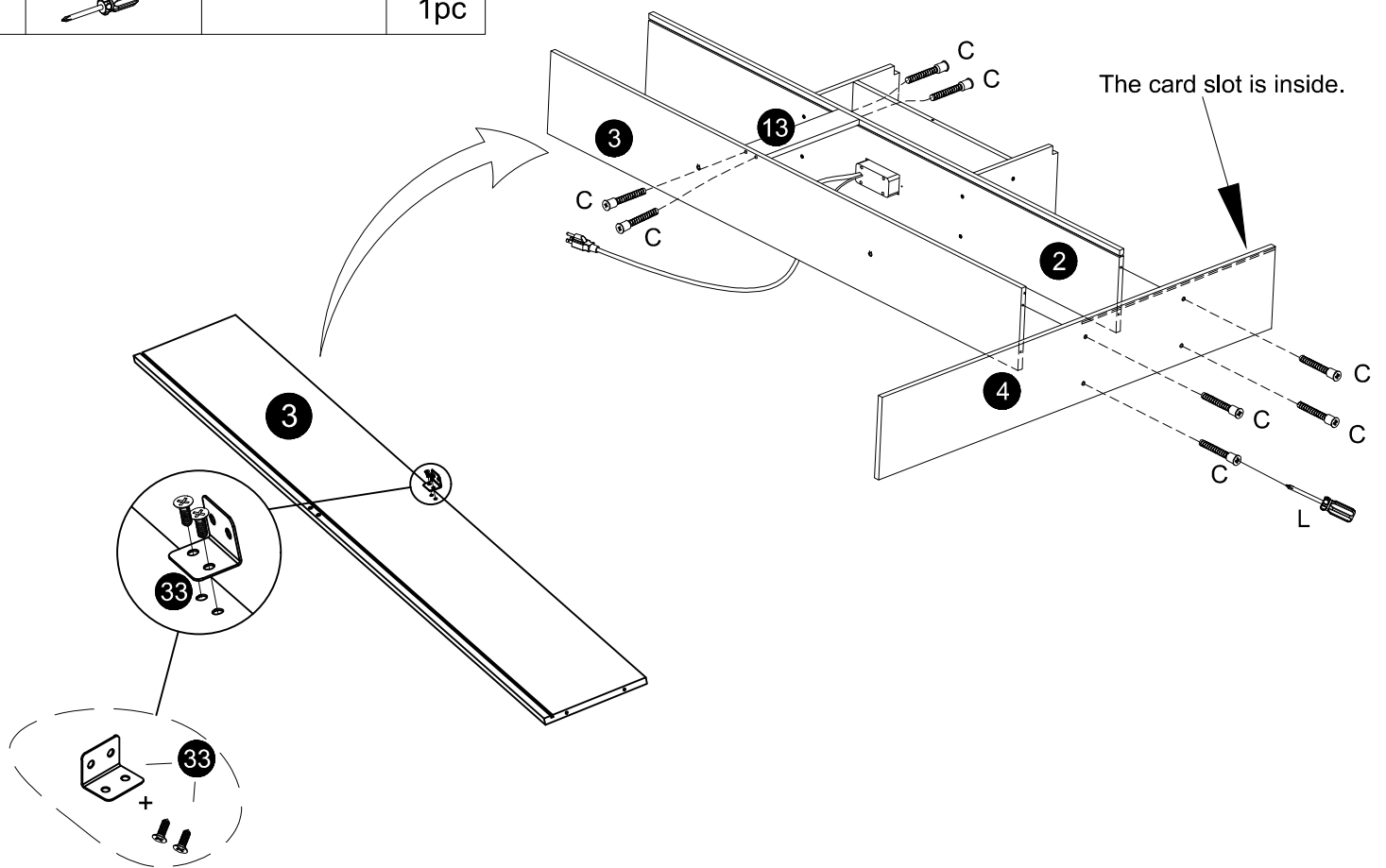
Step 4

C		5*35mm	8pcs
L			1pc

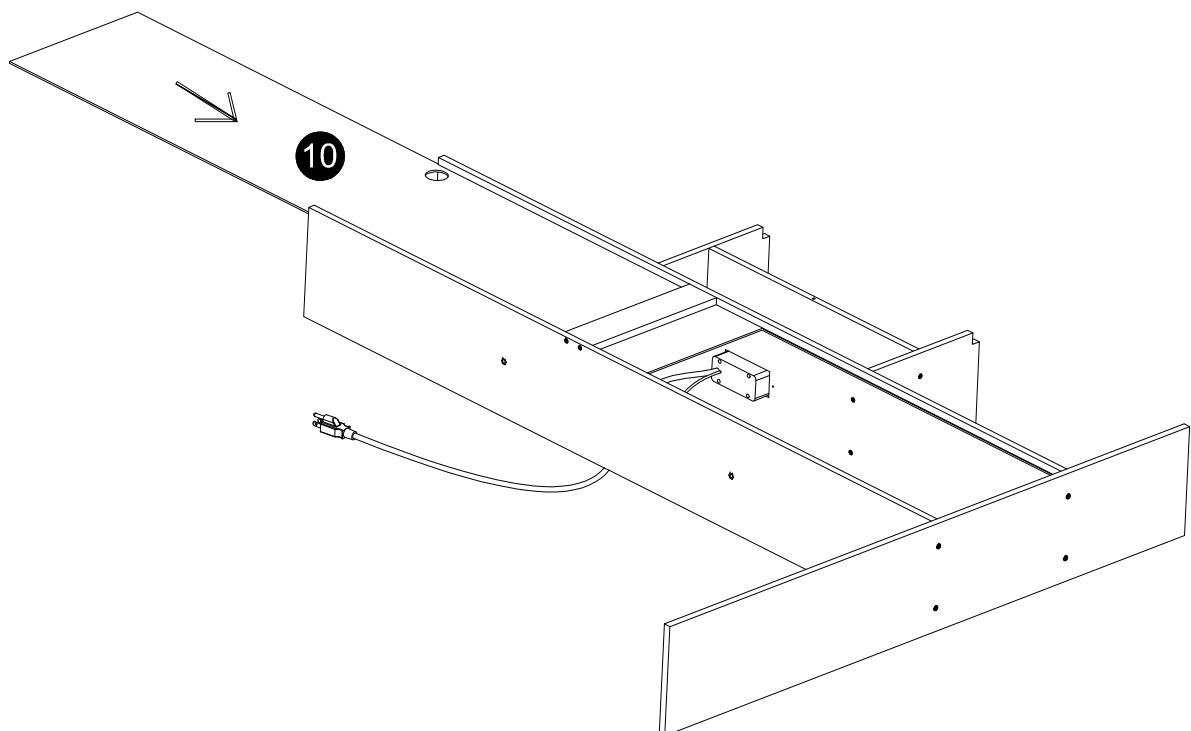


Step 5

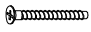

C		5*35mm	8pcs
L			1pc

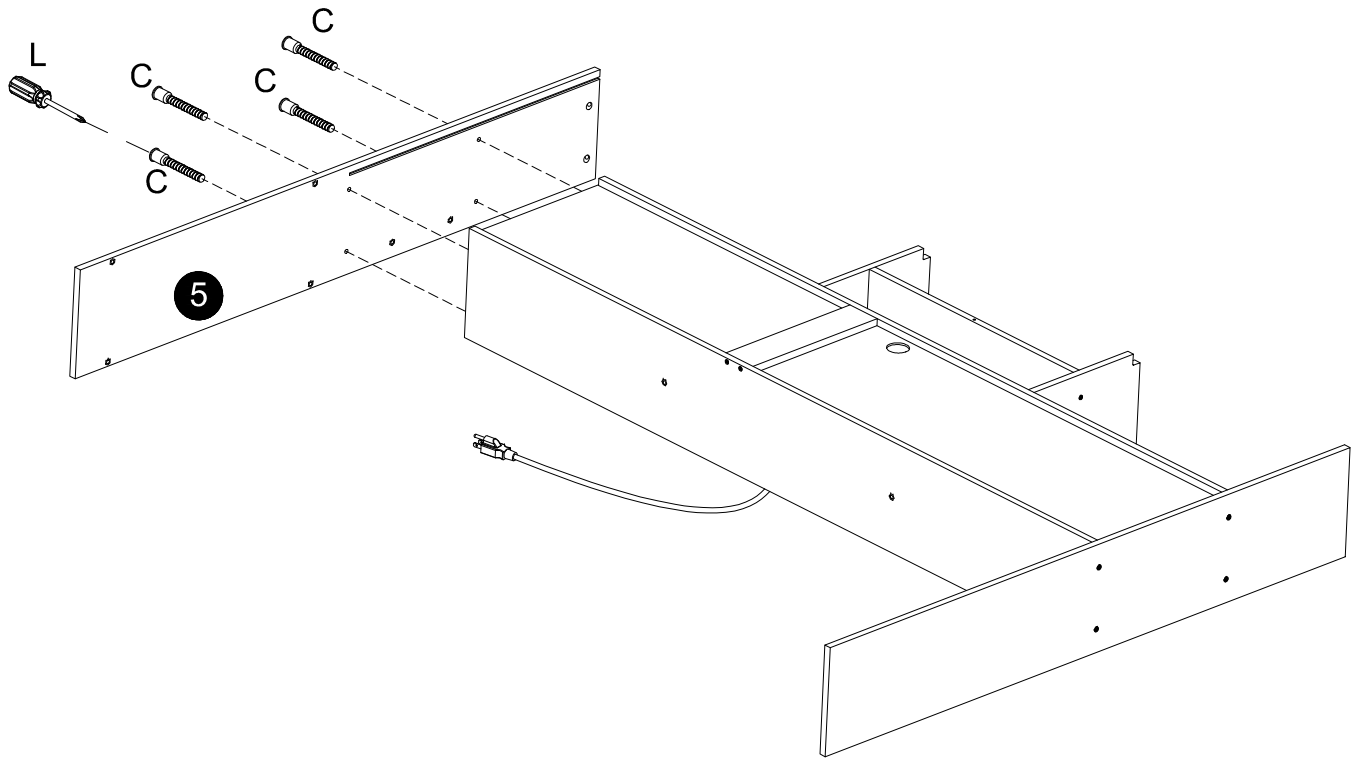


Step 6

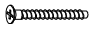



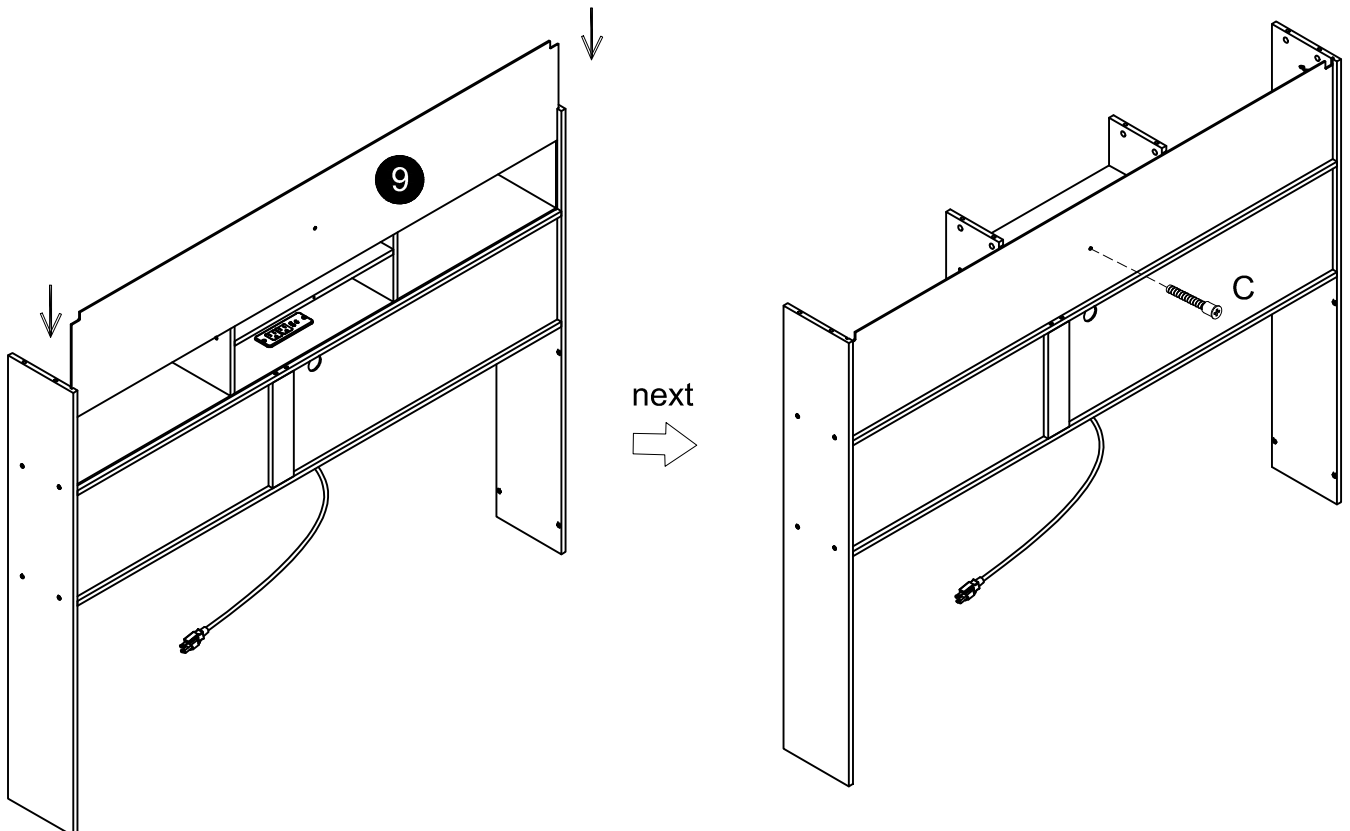
Step 7

C		5*35mm	4pcs
L			1pc





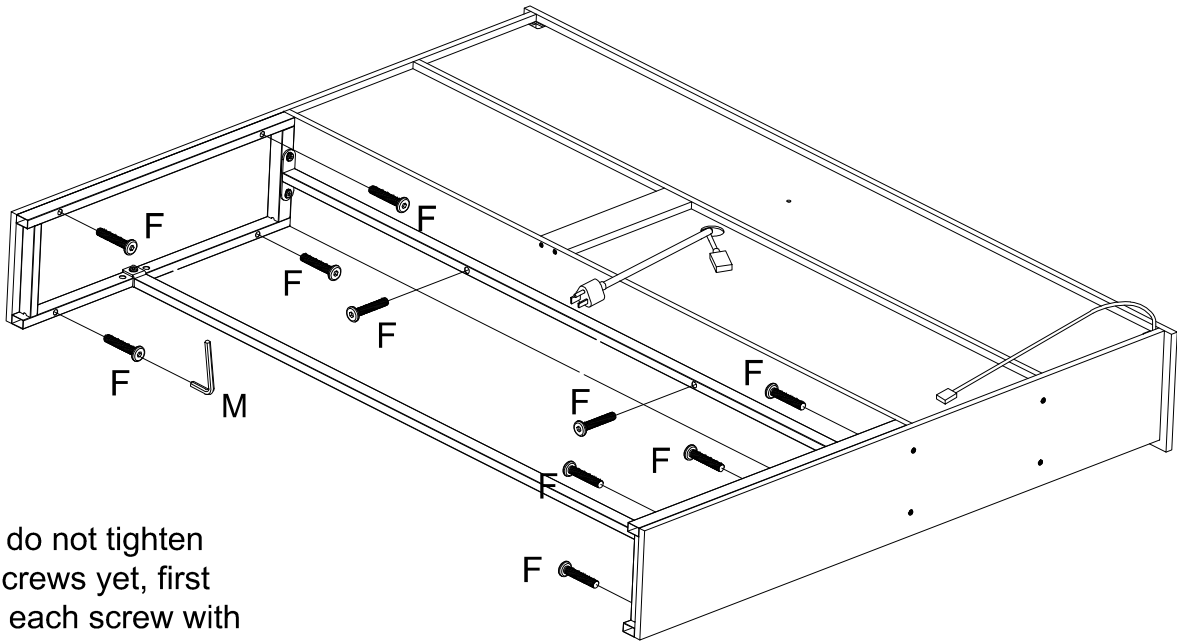
Step 8

C		5*35mm	1pc
L			1pc






Step 11

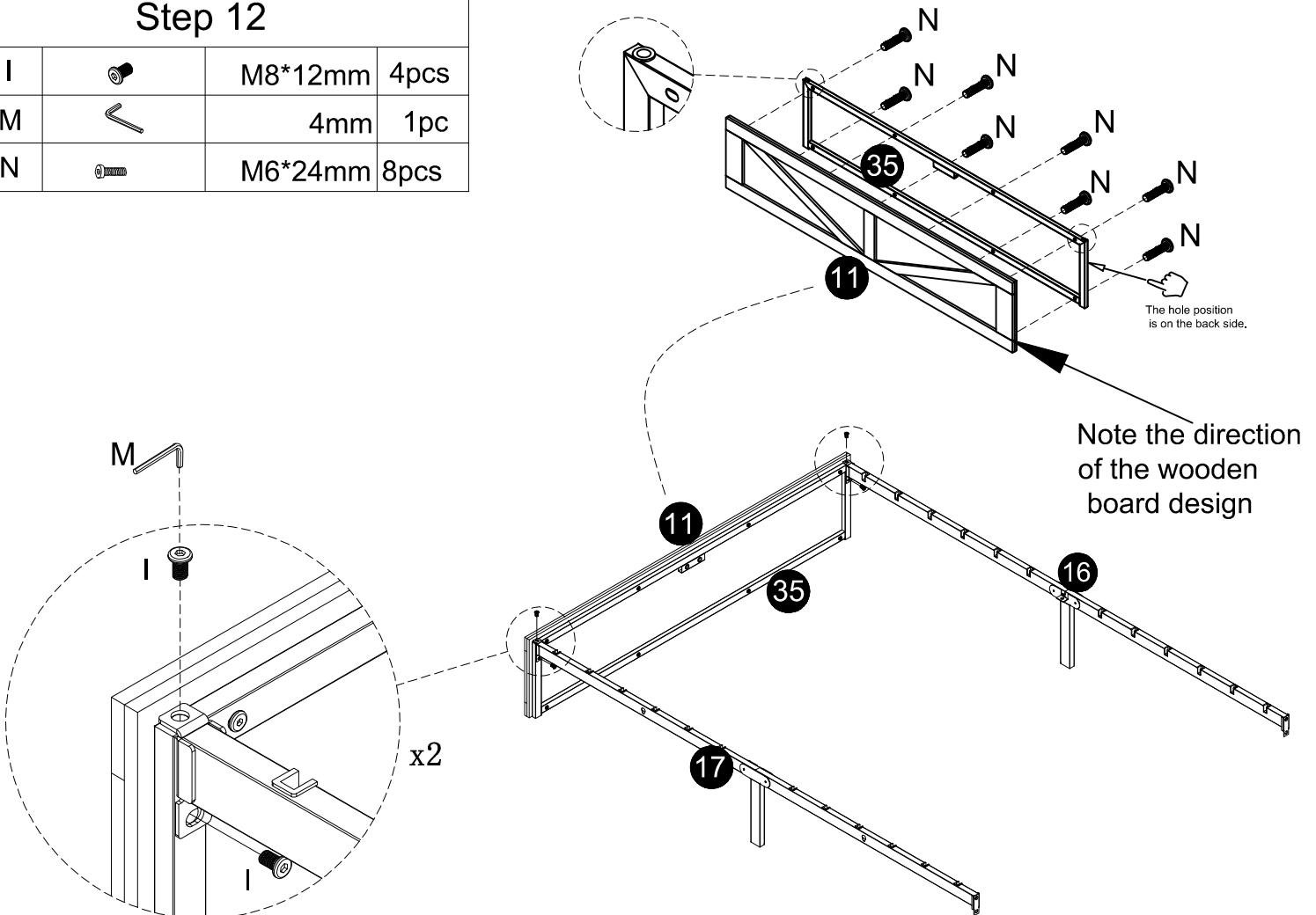
F		M6*34mm	10pcs
M		4mm	1pc







Note, do not tighten the screws yet, first align each screw with the holes before tightening.

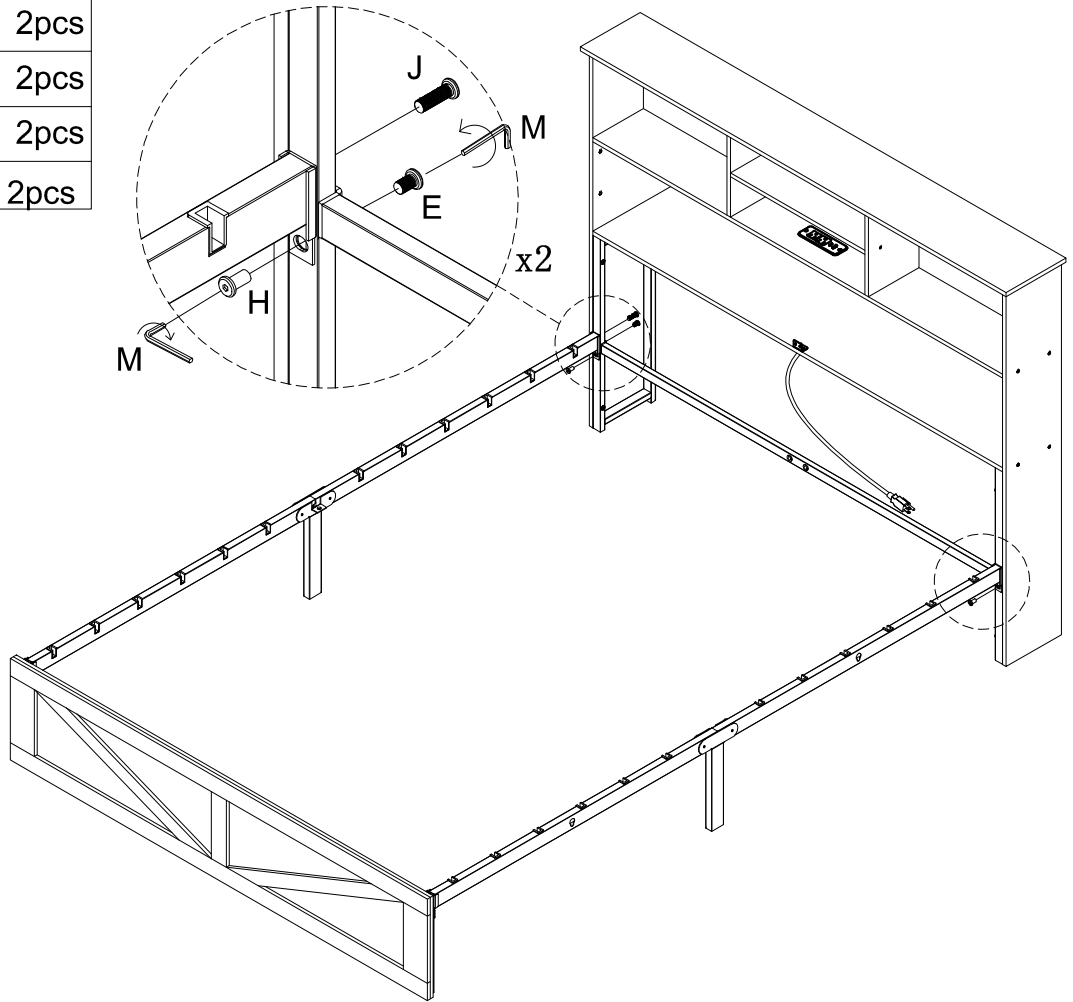
Step 12

I		M8*12mm	4pcs
M		4mm	1pc
N		M6*24mm	8pcs






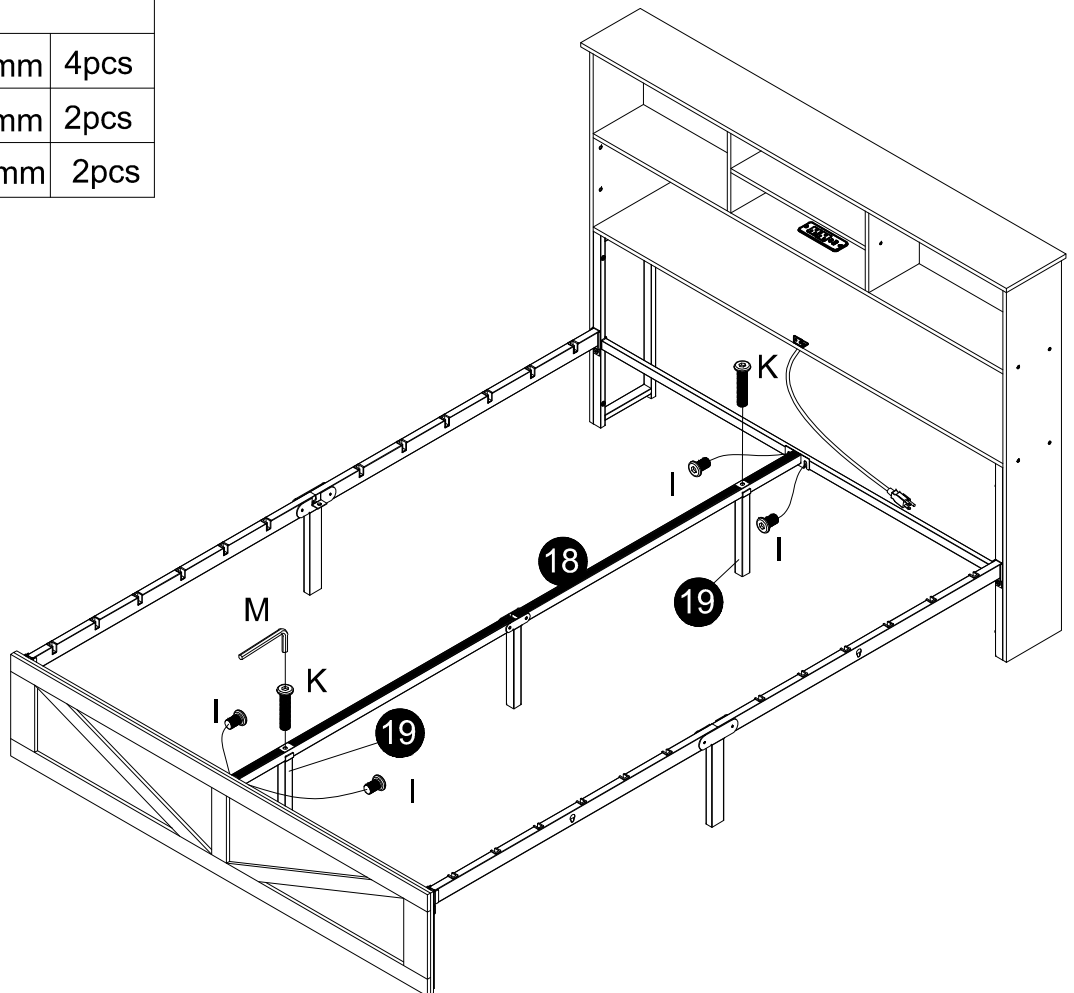
Step 13

E		M6*10mm	2pcs
H		M6*15mm	2pcs
J		M8*25mm	2pcs
M		4mm	2pcs






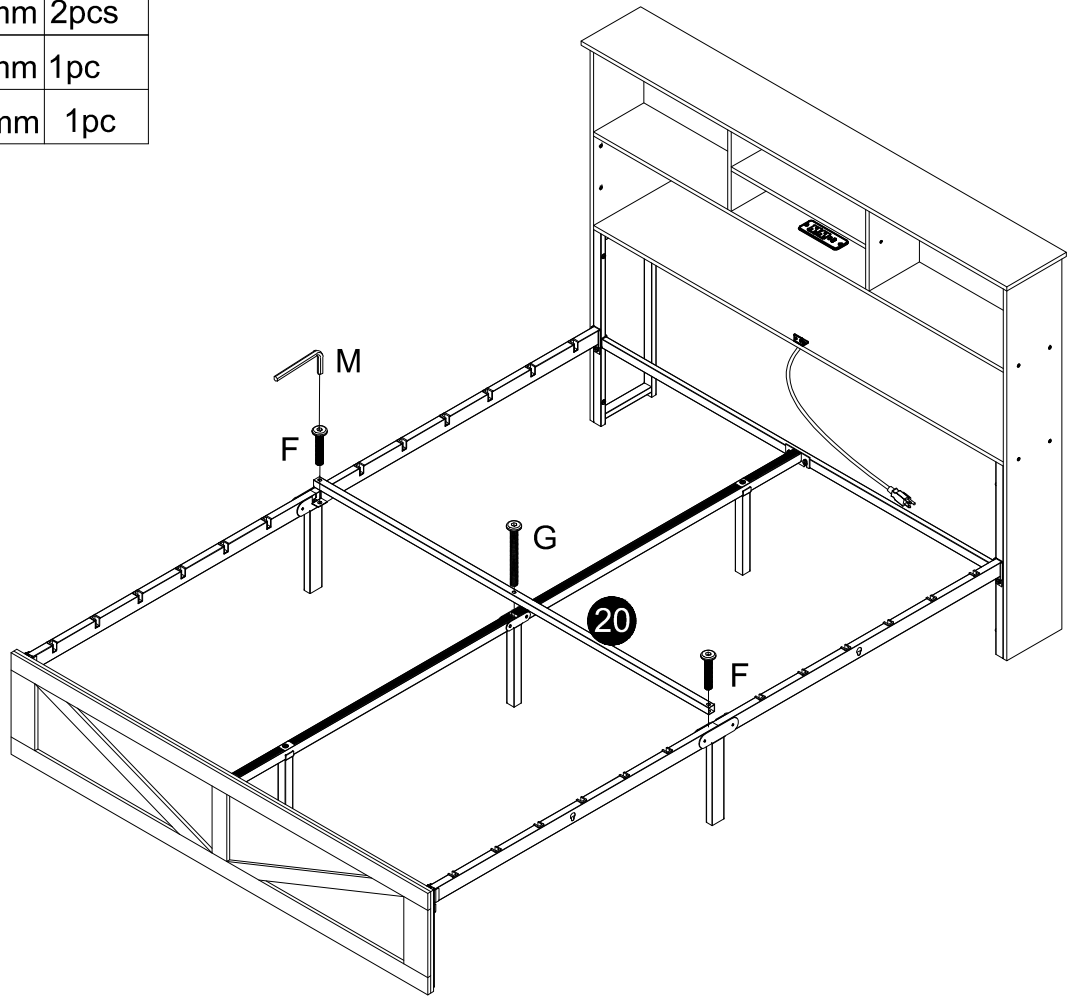
Step 14

I		M8*12mm	4pcs
K		M8*35mm	2pcs
M		4mm	2pcs

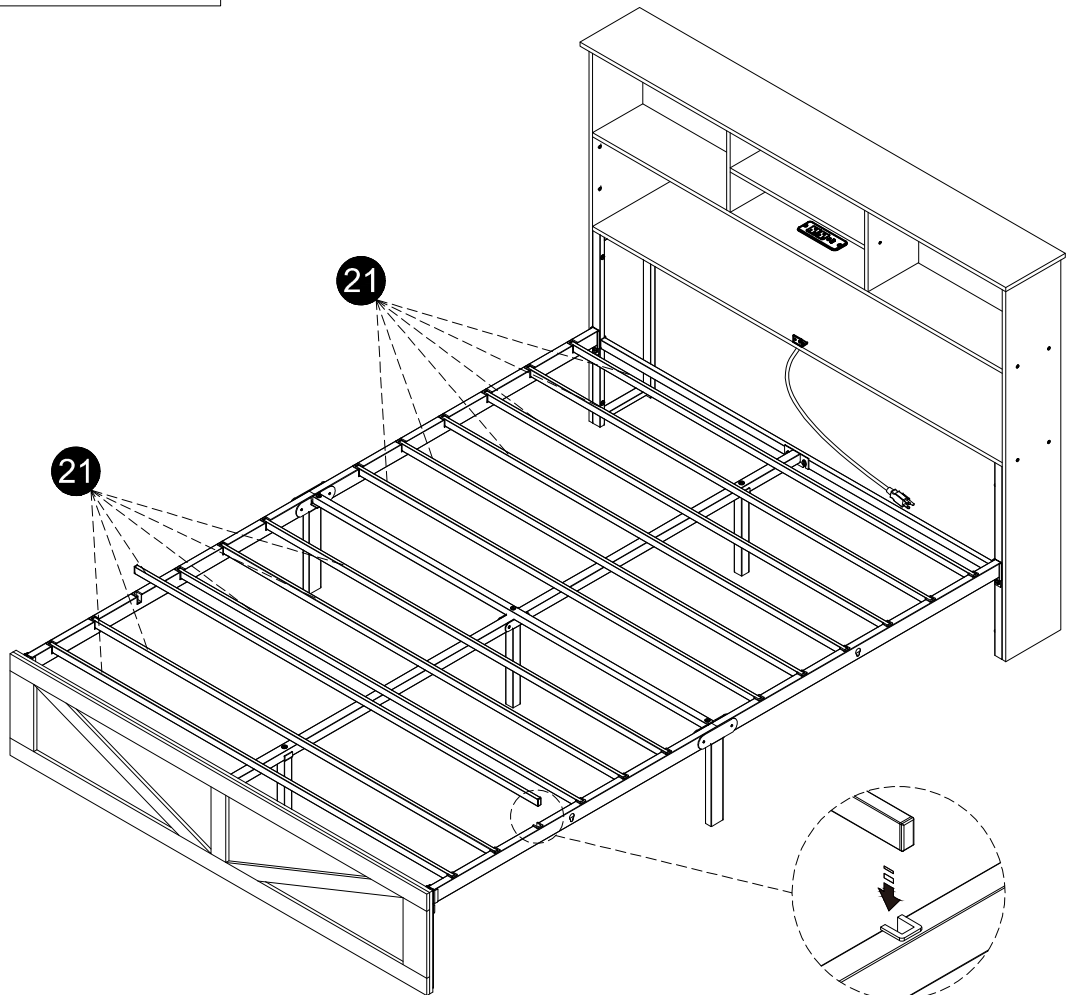


Step 15



F		M6*34mm	2pcs
G		M6*55mm	1pc
M		4mm	1pc

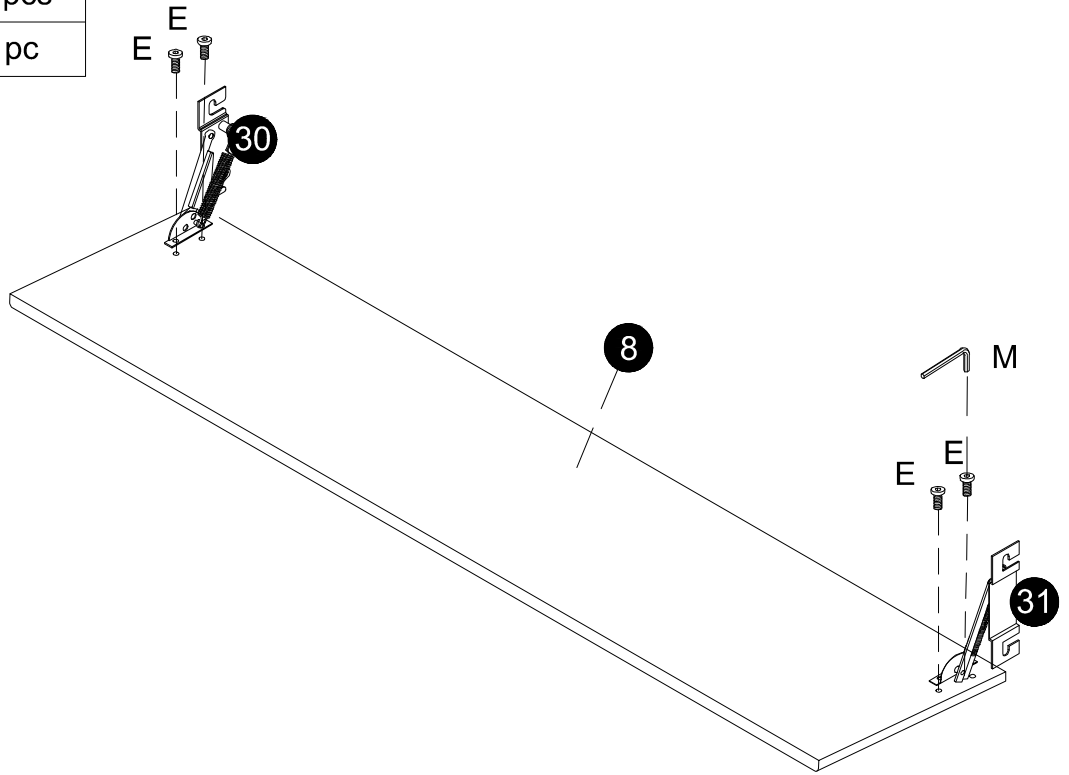


Step 16





Step 17

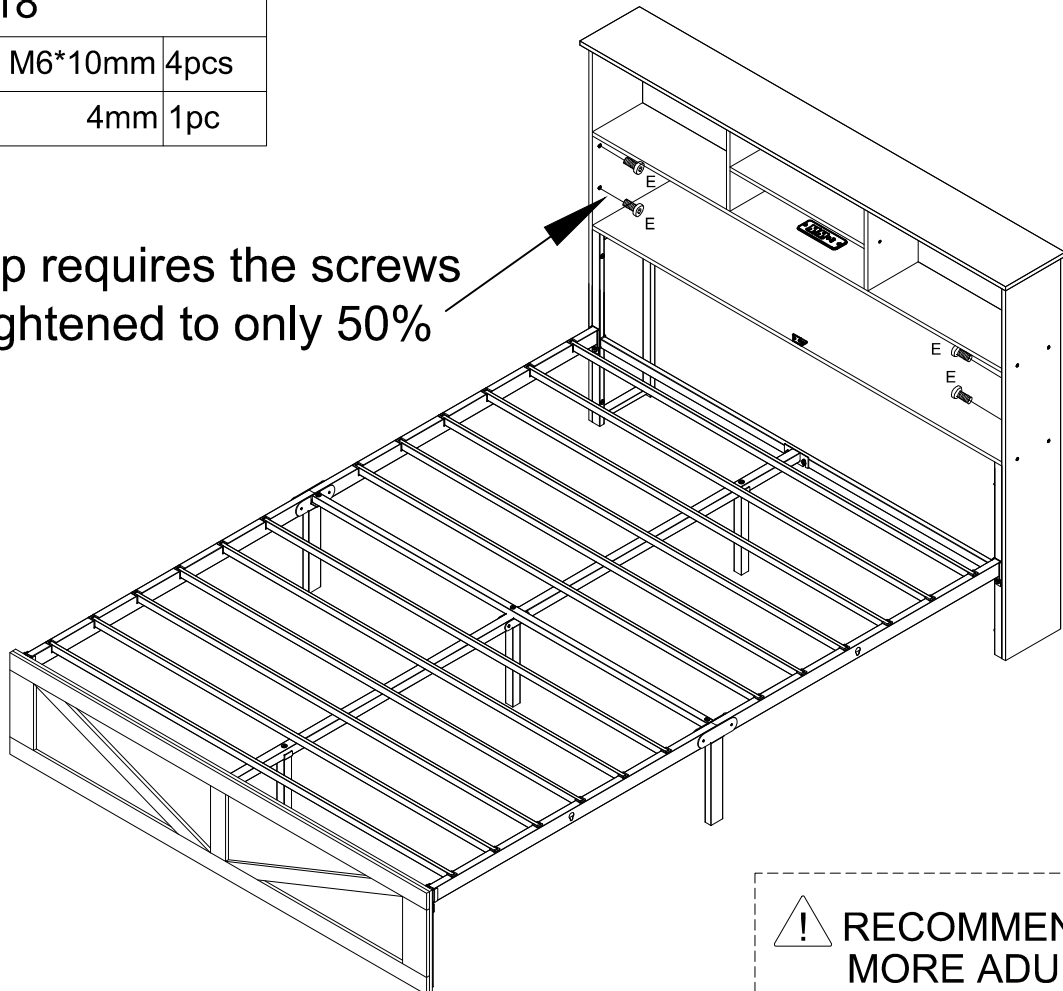
E		M6*10mm	4pcs
M		4mm	1pc




Step 18

E		M6*10mm	4pcs
M		4mm	1pc

This step requires the screws to be tightened to only 50%



 RECOMMEND 2 OR MORE ADULTS FOR QUICKER ASSEMBLY

Step 20

Step:C

Step:B

Step:A

25
x8

26
x4

24
x4

X4



Step:D

27

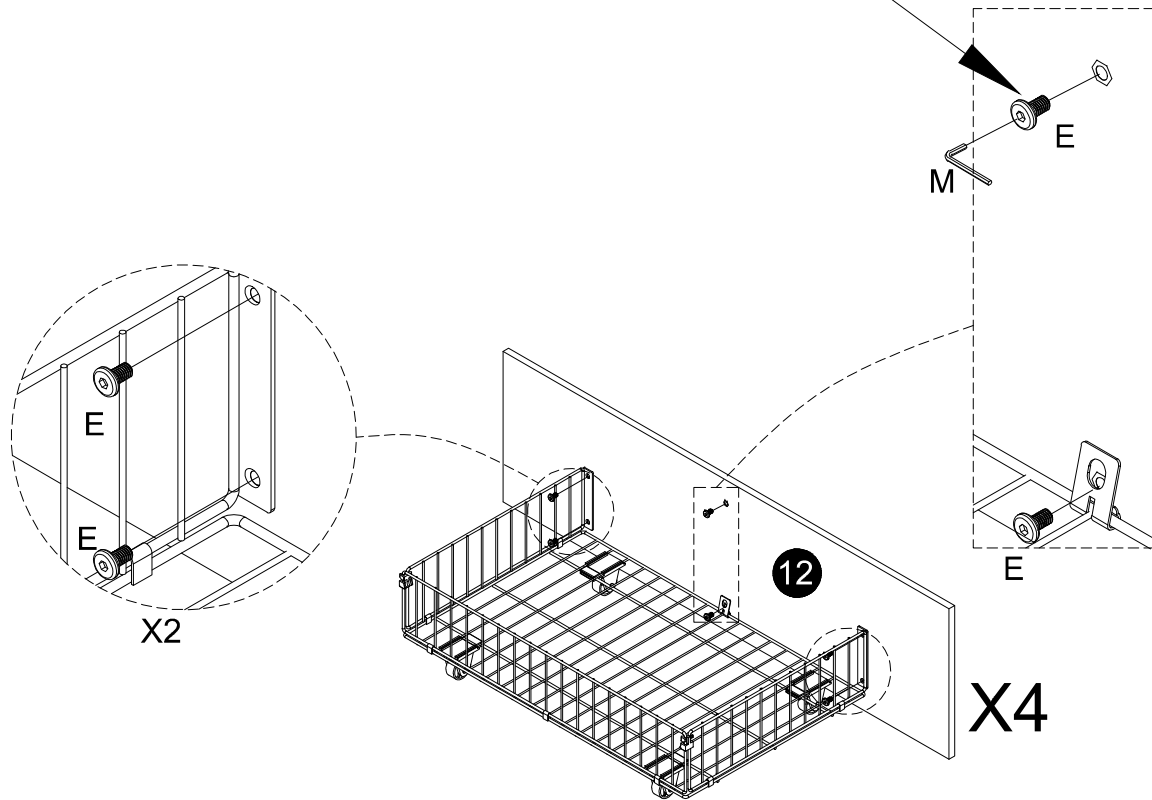
x4

Step:E

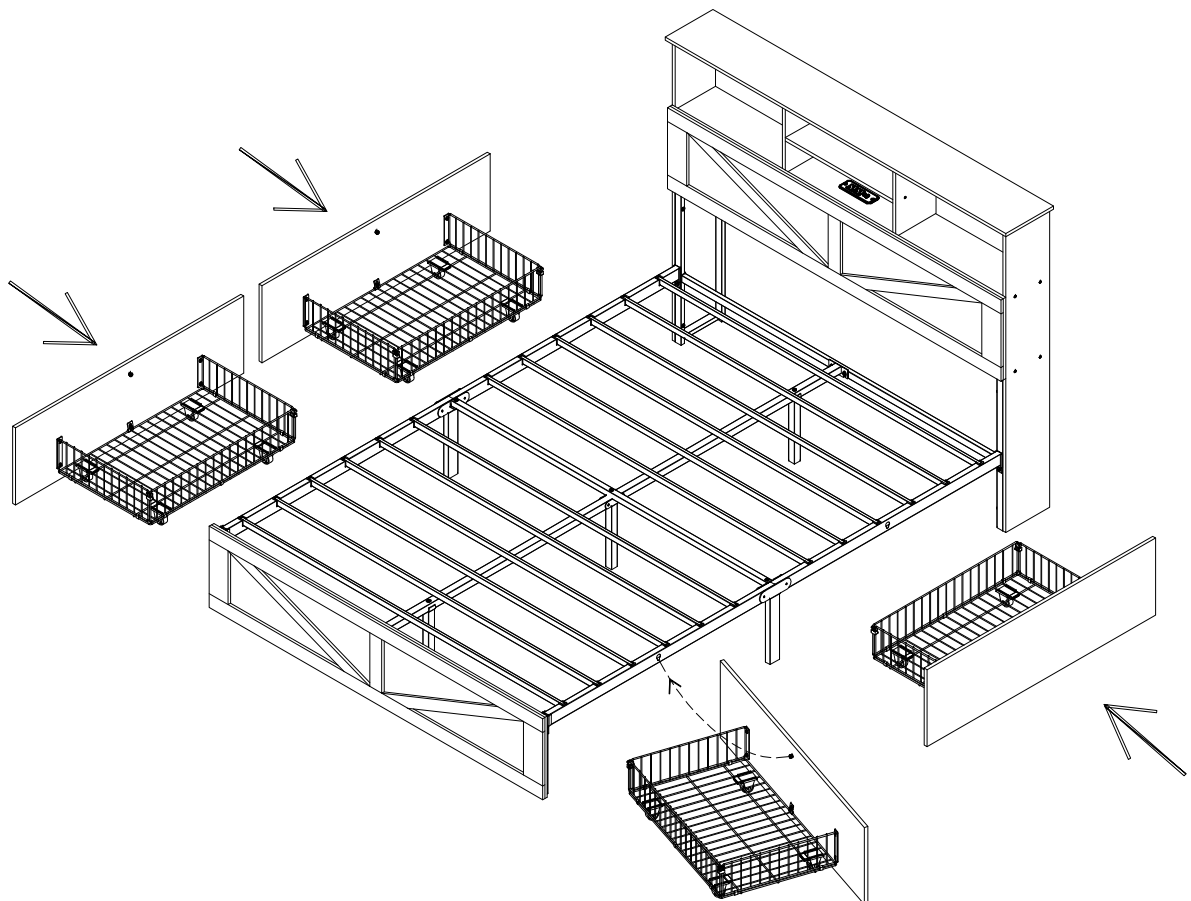
Step 21

E		M6*10mm	24pcs
M		4mm	1pc

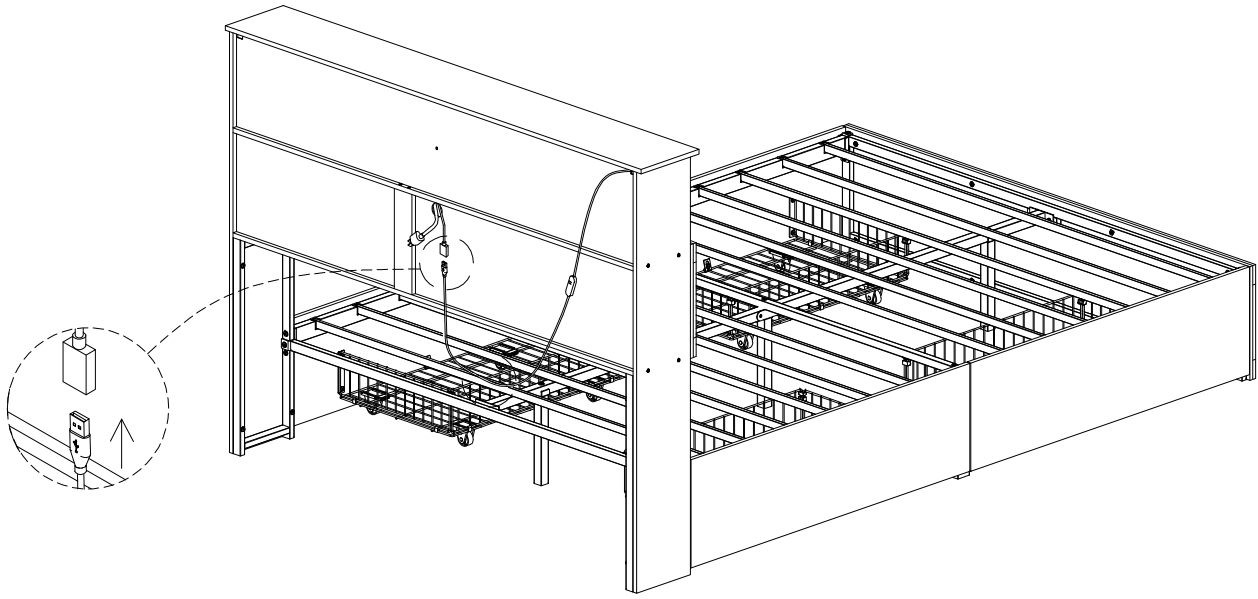
This screw maintains a distance of 1-2mm.



Step 22



Step 23



Step 24

