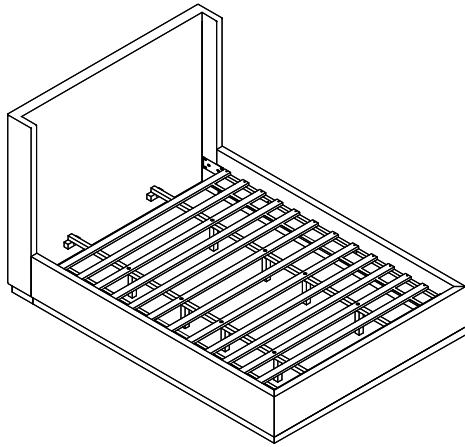


ASSEMBLY INSTRUCTION

Bed- K



+ Do Not Use Power Tools



+Suggested Adults



NOTE: For questions about parts or assembly please email supports@meridianfurnitureusa.com or call us at 818-758-4488

- 1 Read instructions cover to cover.
- 2 Save all packaging until assembly is completed.

1 IMPORTANT SAFETY INFORMATION

Do not assemble the product if any of the following parts arrived damaged:

- | | |
|----------------------------------|---|
| Part#1 -Headboard | Part#7 -Center leg |
| Part#2 -Footboard | |
| Part#3 -Wood strip for Side rail | |
| Part#4 -Center support rails | |
| Part#5 -Side rail | Part#8 -Wood Block on Headboard & Footboard |
| Part#6 -Slats | |

Do not assemble if any of the following Hardware parts are missing:

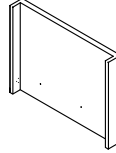
- | | |
|-----------------------|-------------------------|
| Part#B,E, -Bolt | Part#D, -Lock washer |
| Part#A, -Allen Key | Part#G,I -Metal bracket |
| Part#C,H -Flat washer | Part#F -screw |

2 IMPORTANT SAFETY INFORMATION

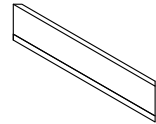
Assembly Step if loosening persists, please make sure to tighten all the bolts periodically, or use a thread locker adhesive.

+Parts Included

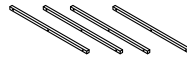
① Headboard (1pc)



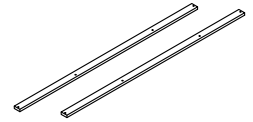
② Footboard (1pc)



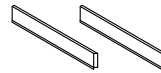
③ Wood strip for Side rail (4pcs)



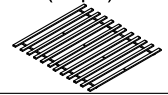
④ Center support rails (2pcs)



⑤ Side rail (2pcs)



⑥ Slats (13pc)



⑦ Center leg (8pcs)



⑧ Wood Block on Headboard & Footboard (4pcs)



+Hardware Included

A Ø1/4" (1pc)



B Ø5/16" *1" (24pcs)



C Ø5/16" (24pcs)



D Ø5/16" (48pcs)



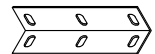
E Ø1/4" *2" 3/8" (24pcs)



F #8*30mm (30pcs)



G Metal bracket (2pcs)



H Ø1/4" (24pcs)



I Metal bracket (2pcs)



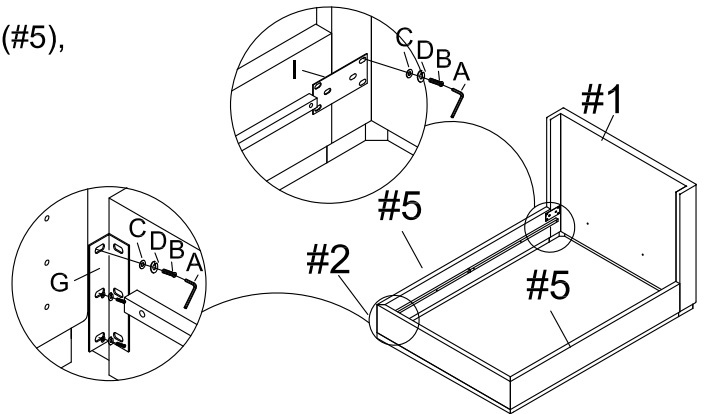
ASSEMBLY INSTRUCTION

Bed- K

1

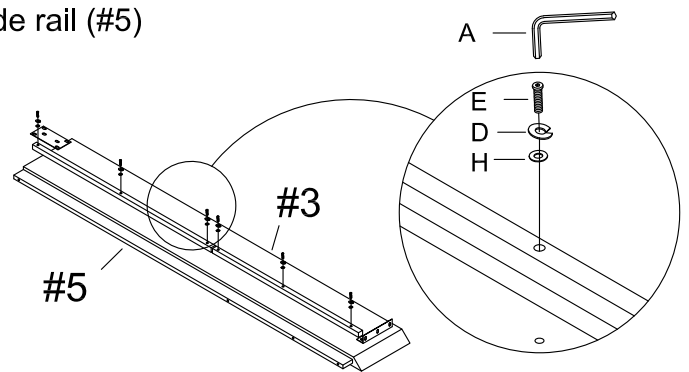
Step 1. Attach Metal Bracket (G) to side rail (#5),
Footboard (#2) with Bolt (B),
Lock washer (D) and Flat washer (C) .
Tighten with Allen Key (A).

Attach Metal Bracket (I) to side rail (#5),
Headboard(#1) with Bolt (B),
Lock washer (D) and Flat washer (C) .
Tighten with Allen Key (A).



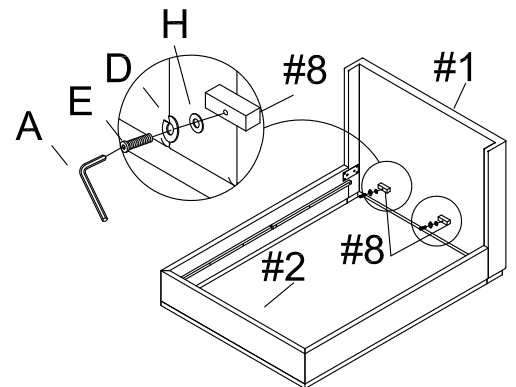
2

Step 2. Attach Wood strip for Side rail (#3) to side rail (#5)
with Bolt (E), Lock washer (D) and
Flat washer (H) .Tighten with Allen Key (A).



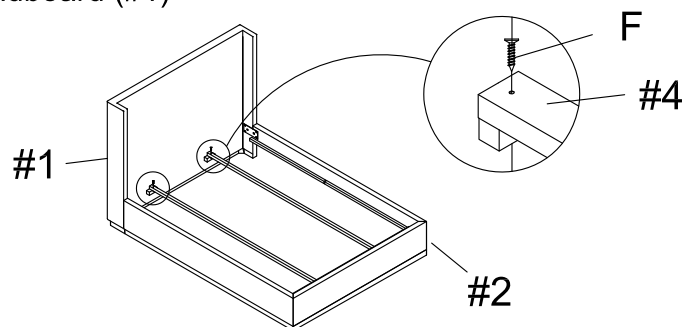
3

Step 3. Attach Wood Block on (#8) to Headboard (#1) and Footboard (#2) with Bolt (E), Lock washer (D) and Flat washer (H) .Tighten with Allen Key (A).



4

Step 4. Attach Center support rails (#4) to Headboard (#1)
and Footboard (#2) with Screw(F).

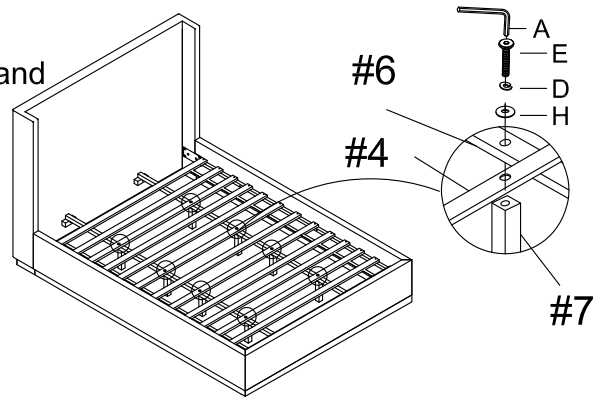


ASSEMBLY INSTRUCTION

Bed- K

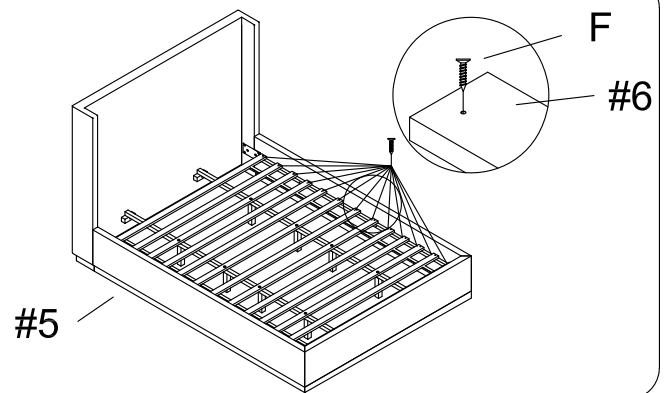
5

Step 5. Attach Center leg (#7) to Center support rail (#4) and Slats (#6) with Bolt (E), Lock washer (D) and Flat washer (H) .Tighten with Allen Key (A).



6

Step 6. Attach Slats (#6) to Side rail (#5) with Screw (F).



7

Assembly Complete.

