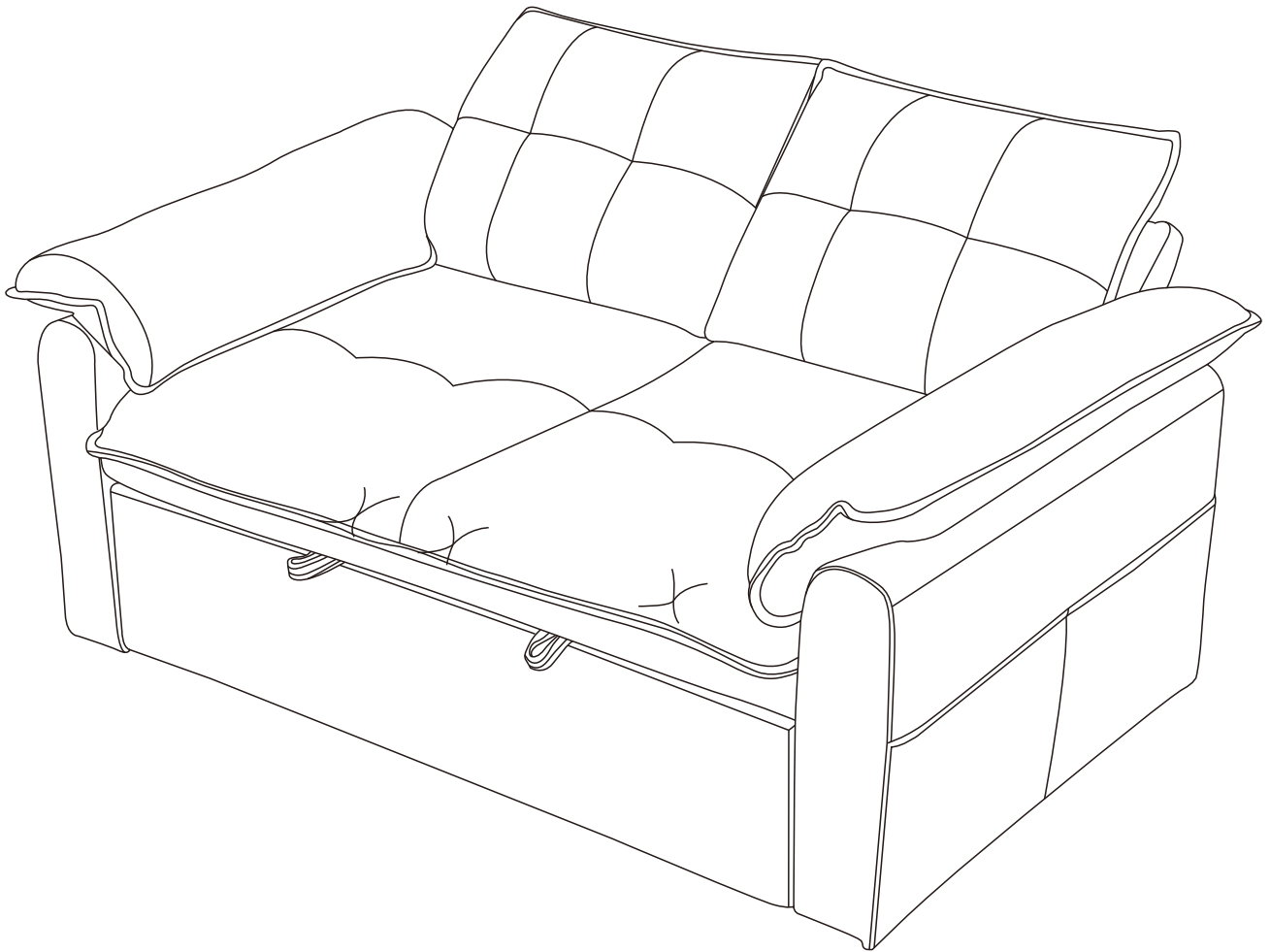


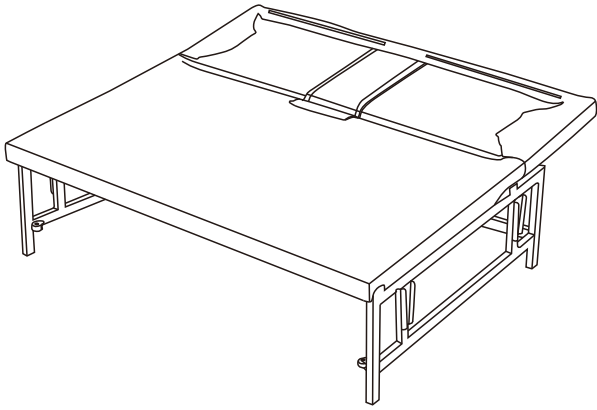
ASSEMBLY INSTRUCTIONS



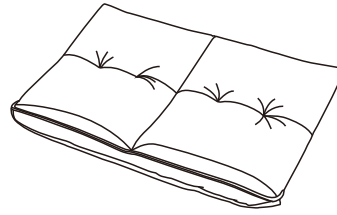
Thank you for choosing our product. If you have any questions or suggestions during installation or use, please feel free to contact our service team at

sofaserviceonline@163.com.

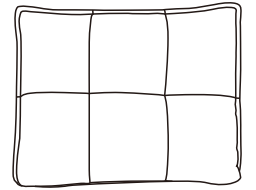
PARTS LIST



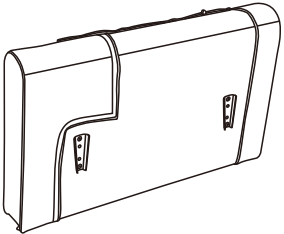
①=1



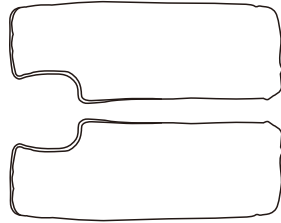
②=1



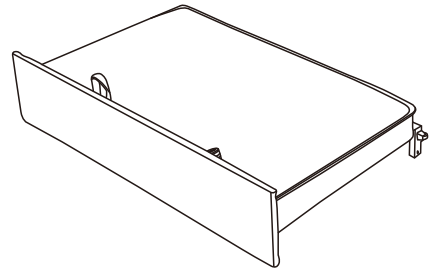
③=2



④=2



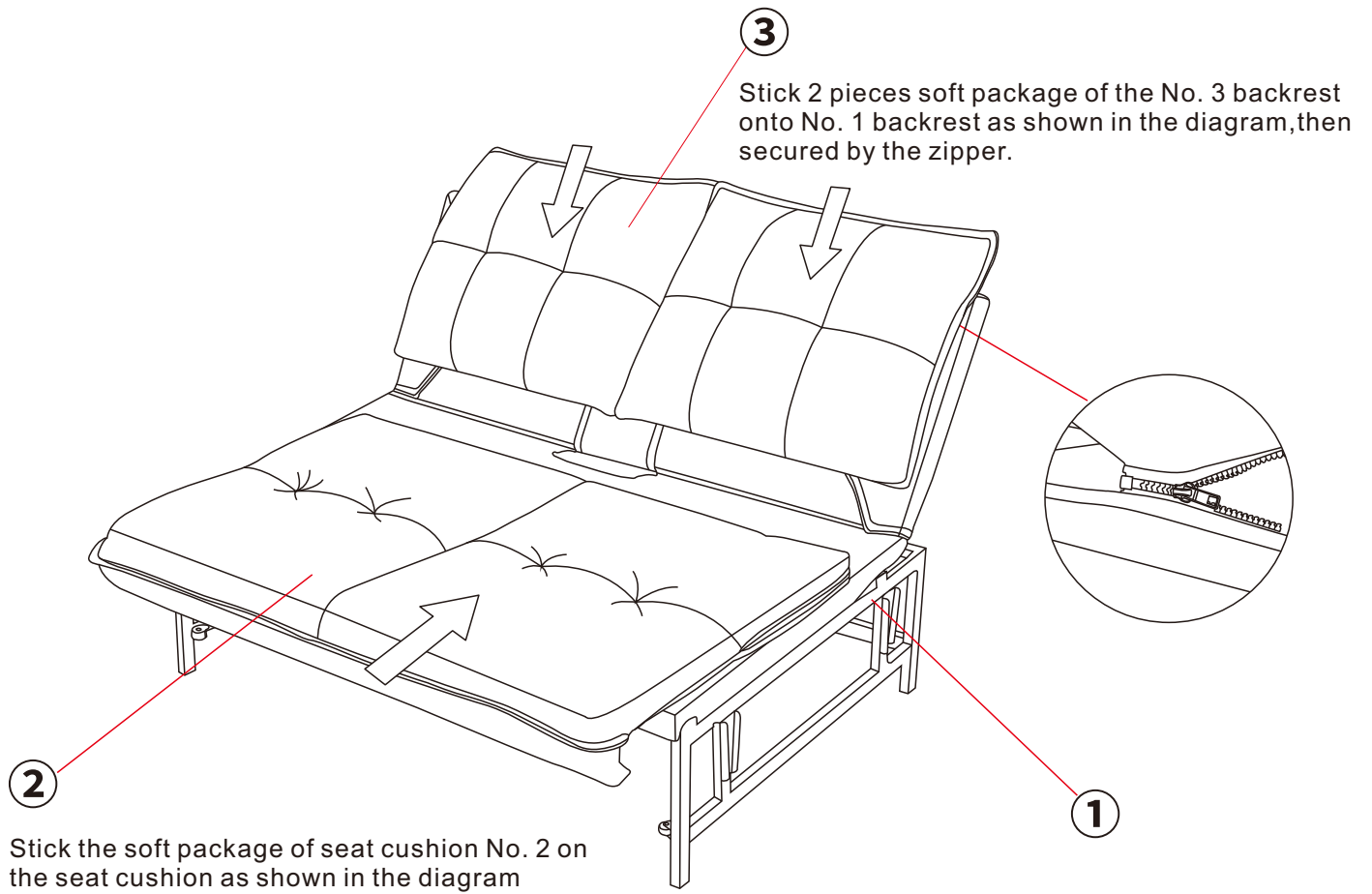
⑤=1



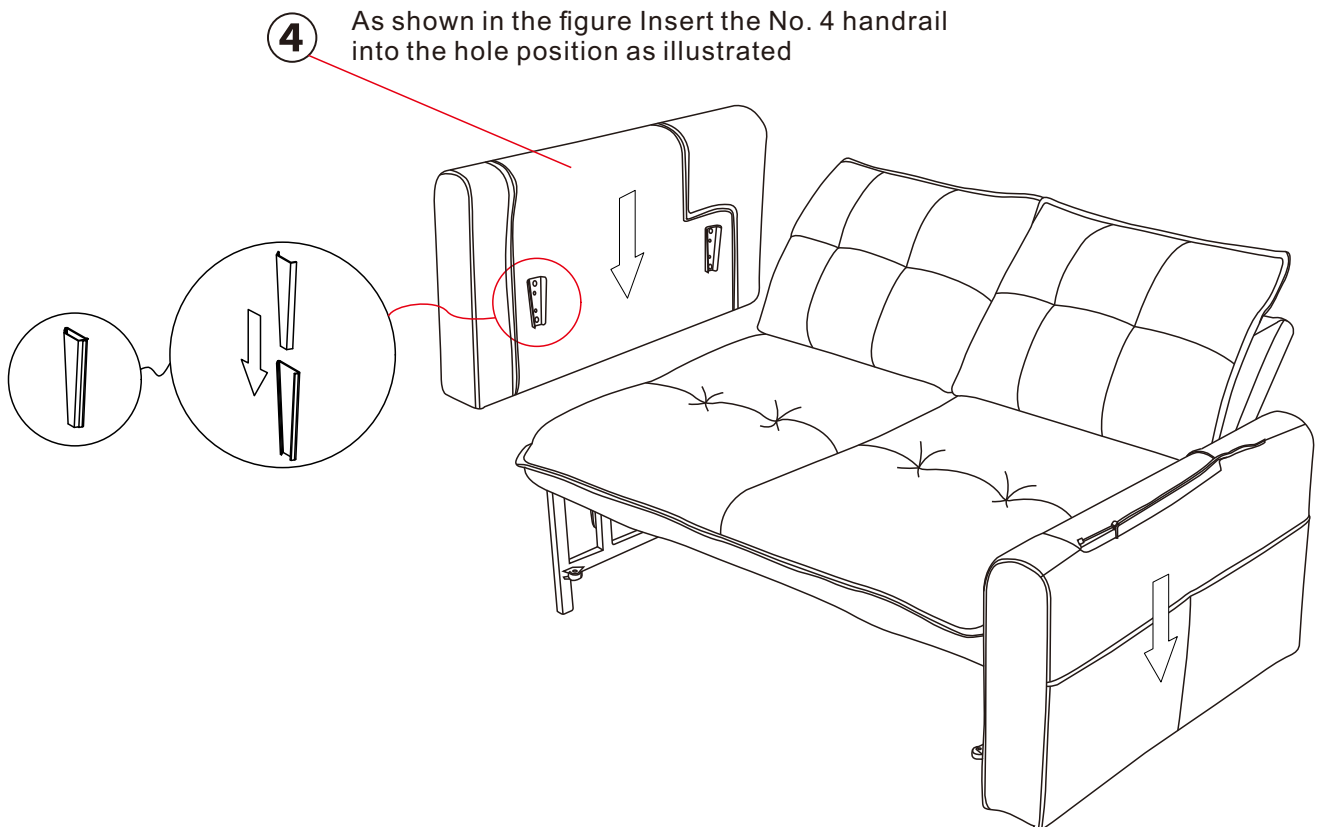
⑥=1

Tips: Do not throw away packing materials until assembly is complete for small parts may come loose inside the carton during shipment. If parts are missing, please contact us. Assemble this item on a soft surface, such as carpet to protect the finish.

Step 1

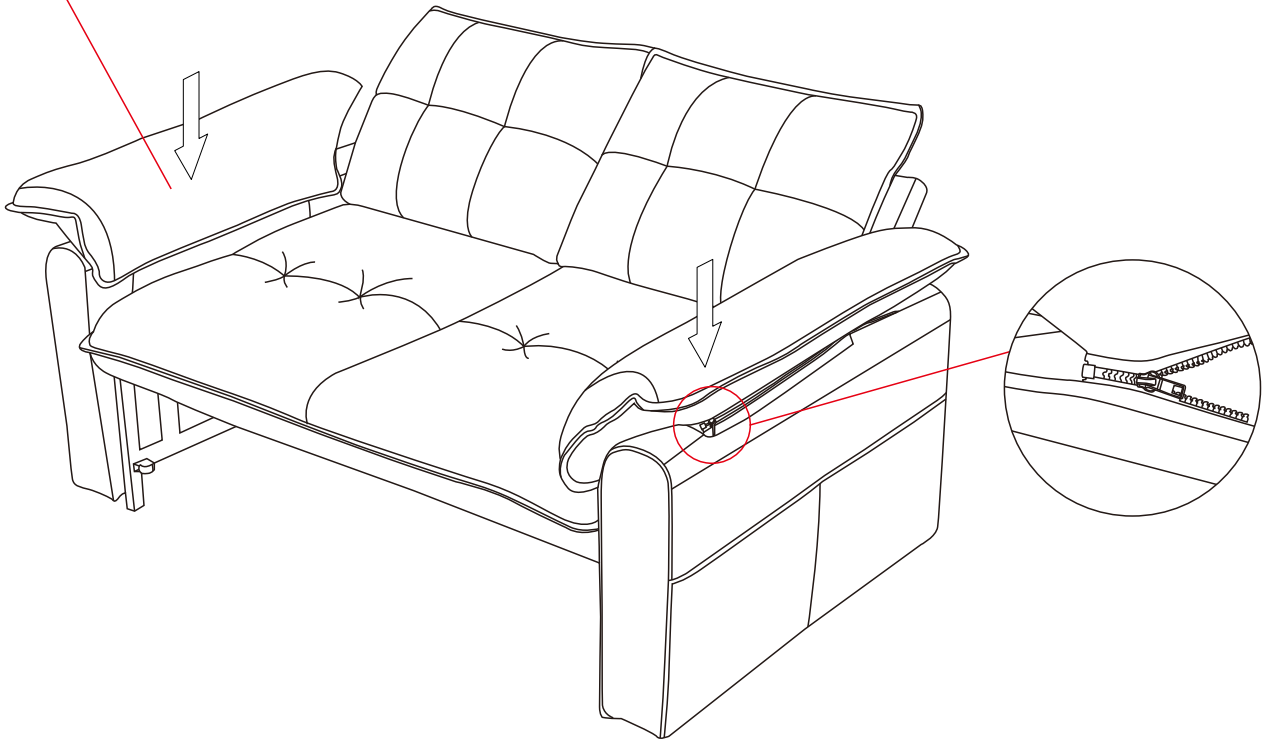


Step 2

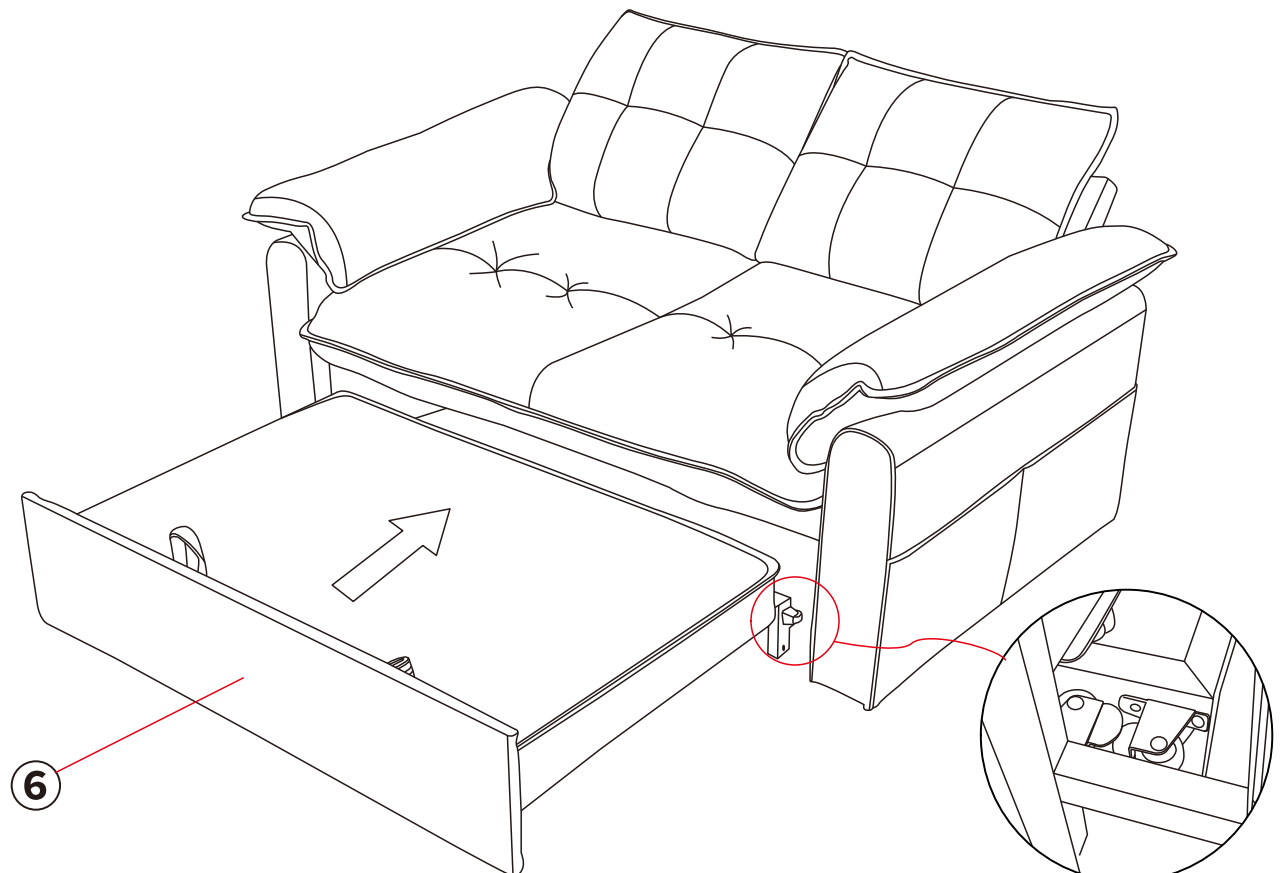


Step 3

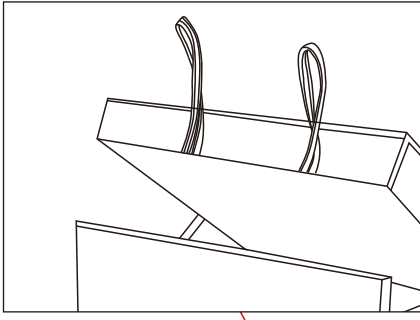
5 As shown in the picture, stick the No. 5 soft package on the handrail as illustrated



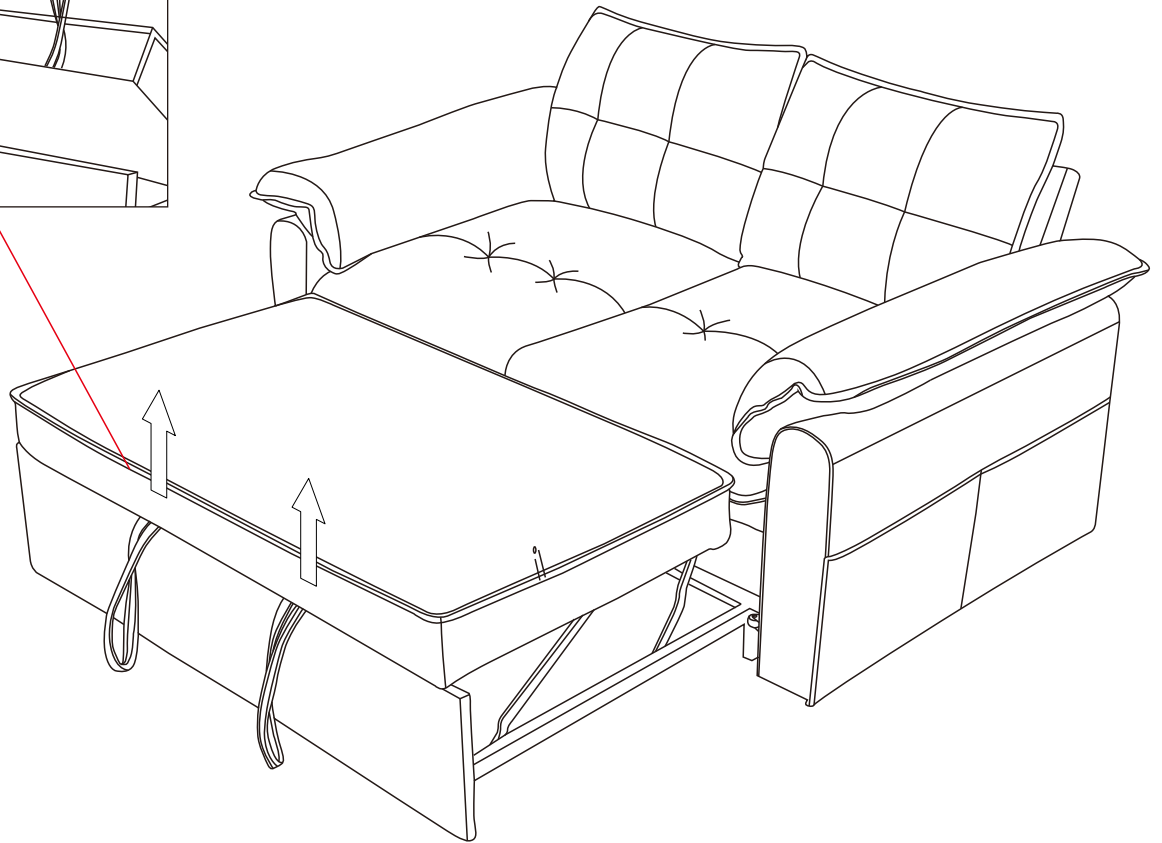
Step 4



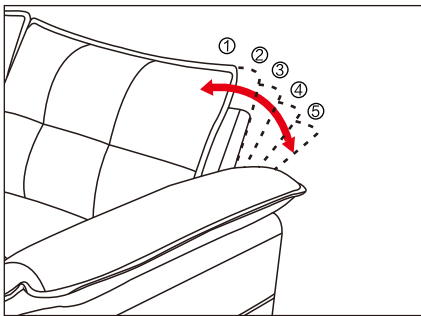
Step 5



Pull the rope loop to lift the sofa cushion



Step 6



After pushing the backrest forward by more than 90 degrees, it can be adjusted backward within 5 gears

