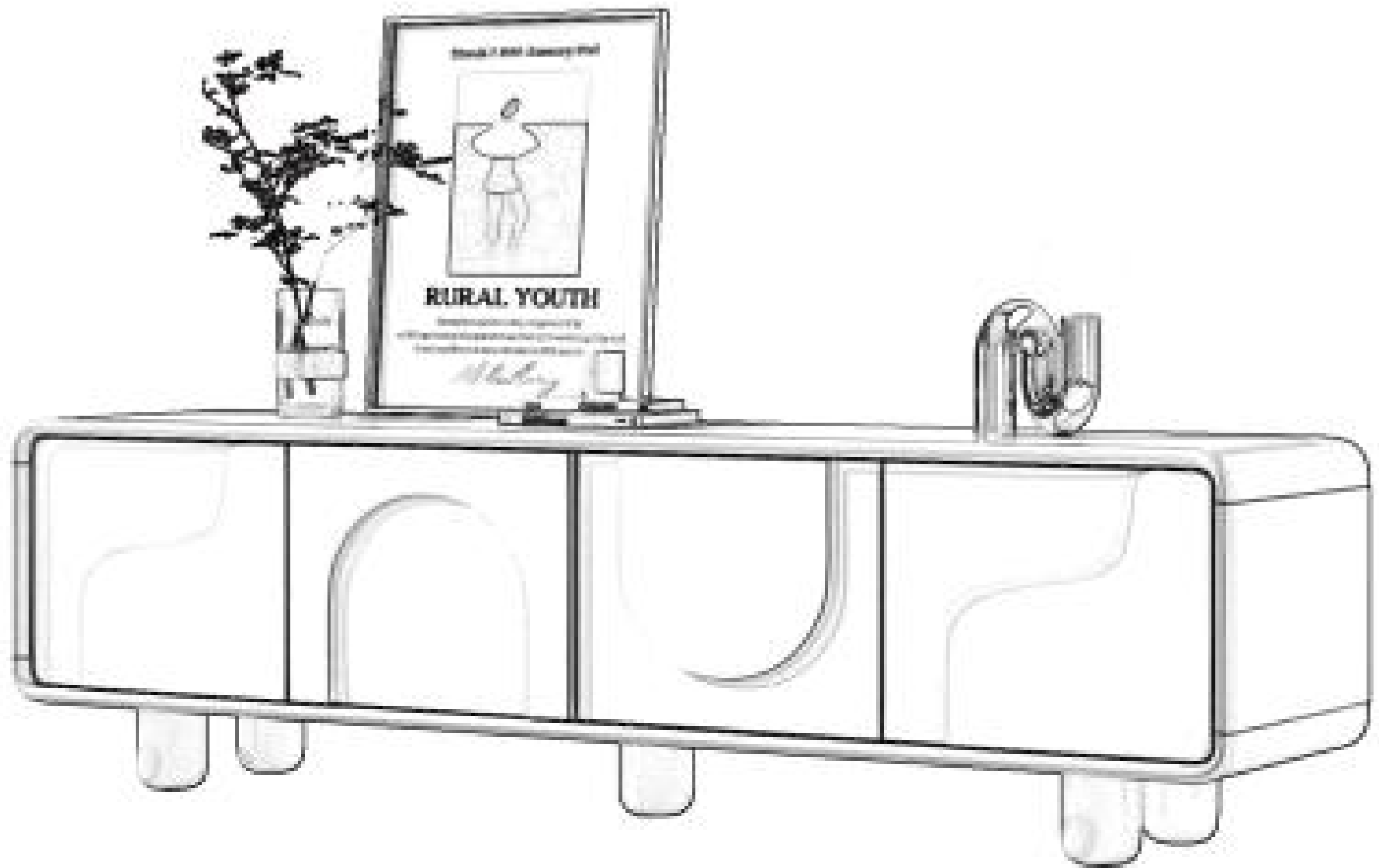


PRODUCT CARE HANDBOOK

a guide to protect your product

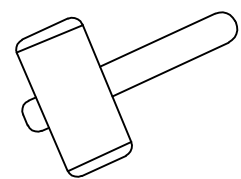


Thank you for purchasing this product. Please read these instructions fully before starting assembly, then follow the simple step by step guide.

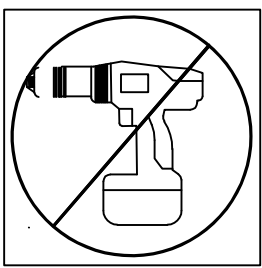
TOP TIPS BEFORE YOU START!

1. Please check that all parts & hardware are present before you start the assembly of your furniture. Do not destroy any of the packaging until you are certain that you have all the necessary parts for assembly.
2. To ensure a smooth installation, we recommend that before you commence each step of the assembly, please identify all the parts required for that step.
3. We recommend that where possible, all items are assembled near to the area in which they will be placed in use, to avoid moving the product unnecessarily once assembled.
4. For the protection of your furniture, particularly items of high gloss finish, we recommend that the product is placed on a protected surface during assembly to prevent any damage.
5. During assembly, please take care not to over-tighten any fittings, as this may damage the product.
6. Keep children and animals away from the work area. Small parts could cause choking if swallowed.

Rubber Hammer

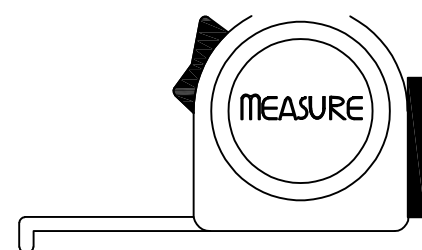


Tools Required For Assembly

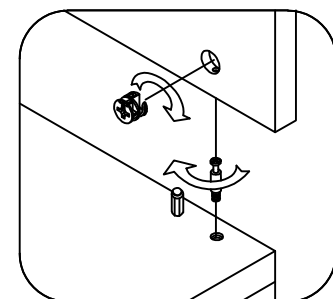
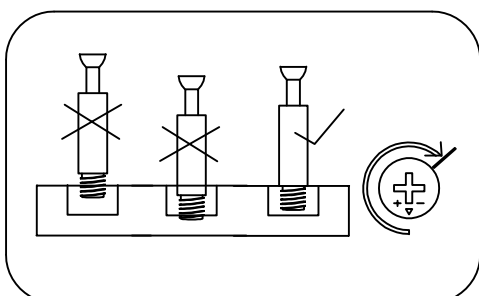
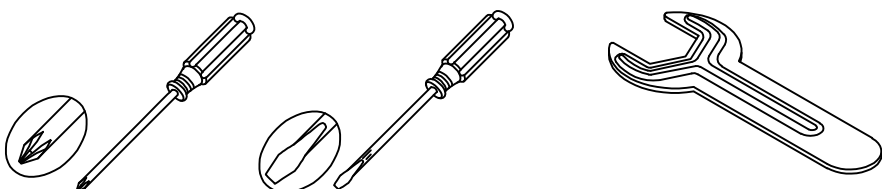


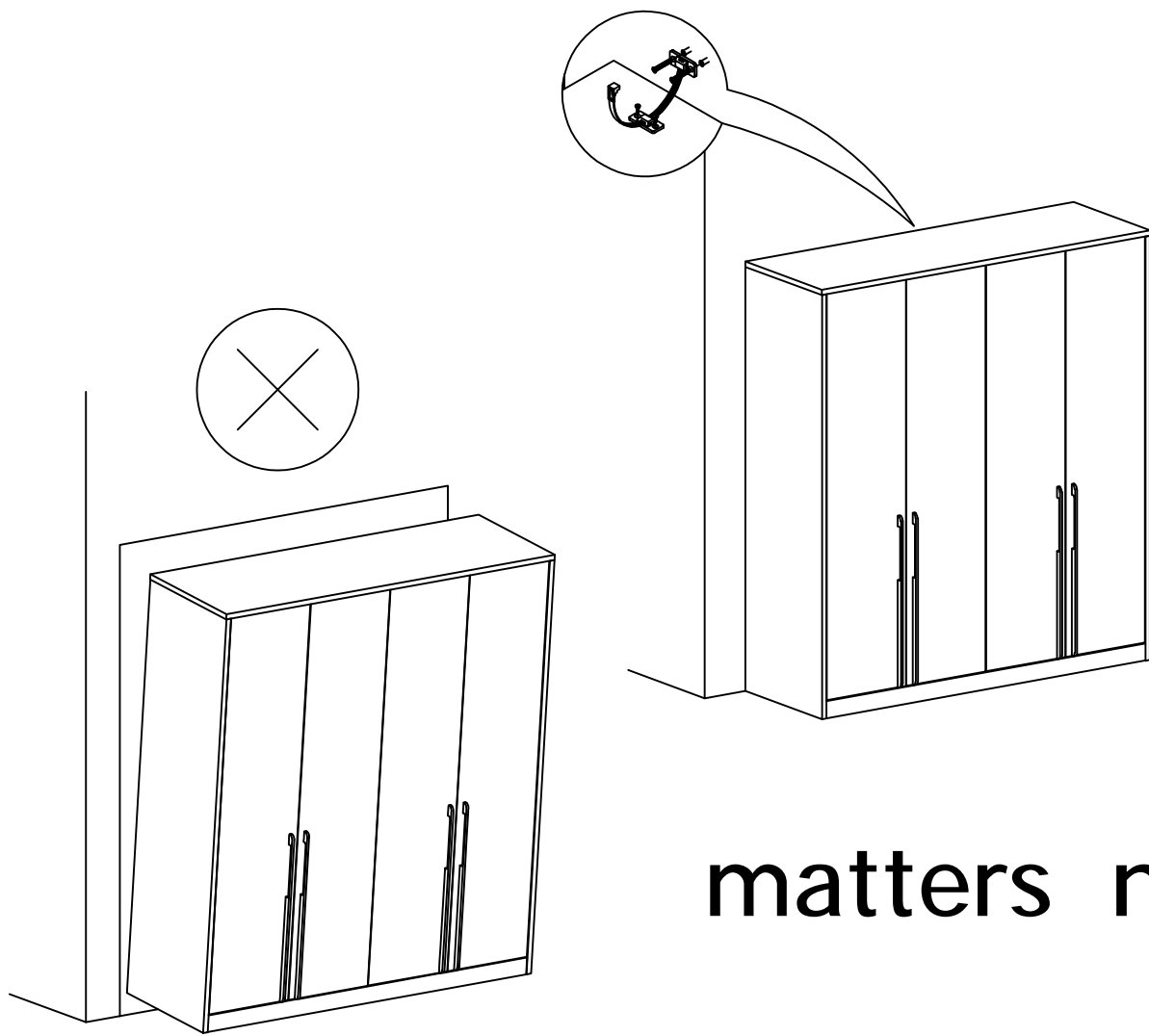
DO NOT USE POWER TOOLS TO ASSEMBLE THIS PRODUCT. USE OF POWER TOOLS WILL INVALIDATE ANY CLAIM AND MAY DAMAGE THIS PRODUCT MAKING IT UNSAFE.

Tape Measure

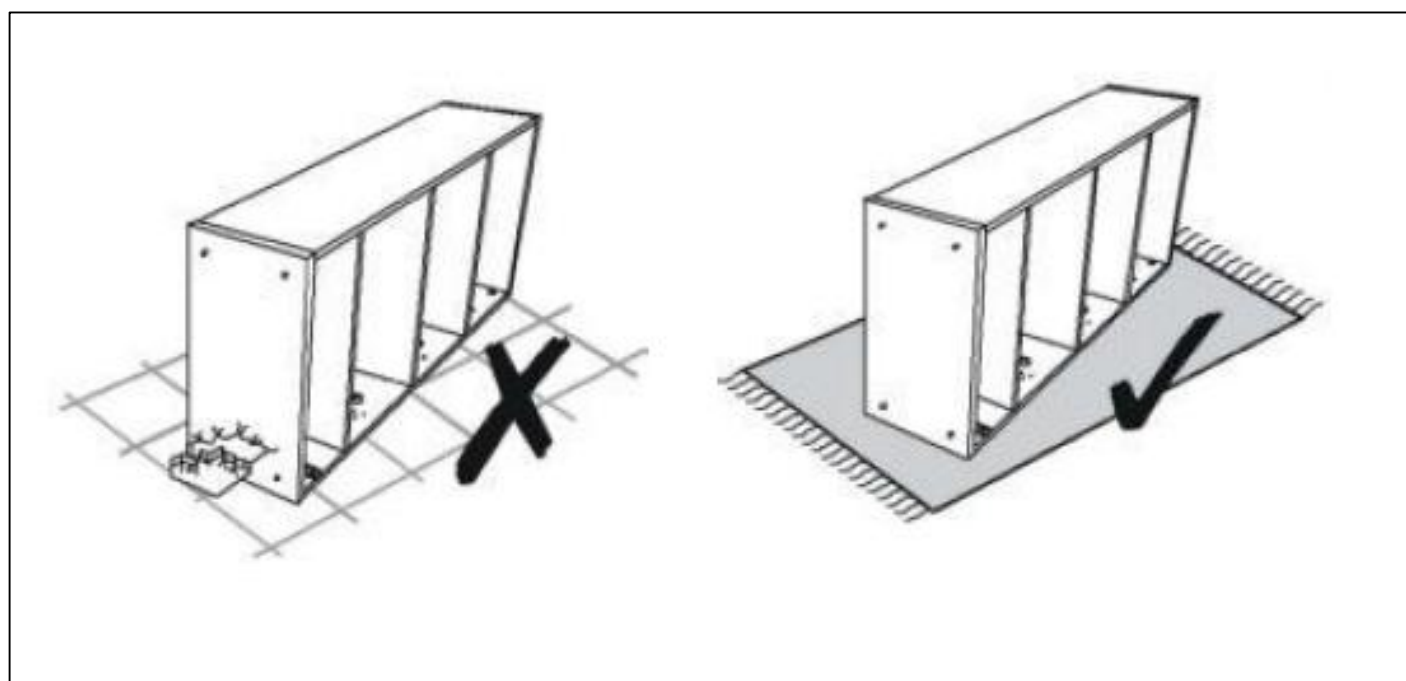
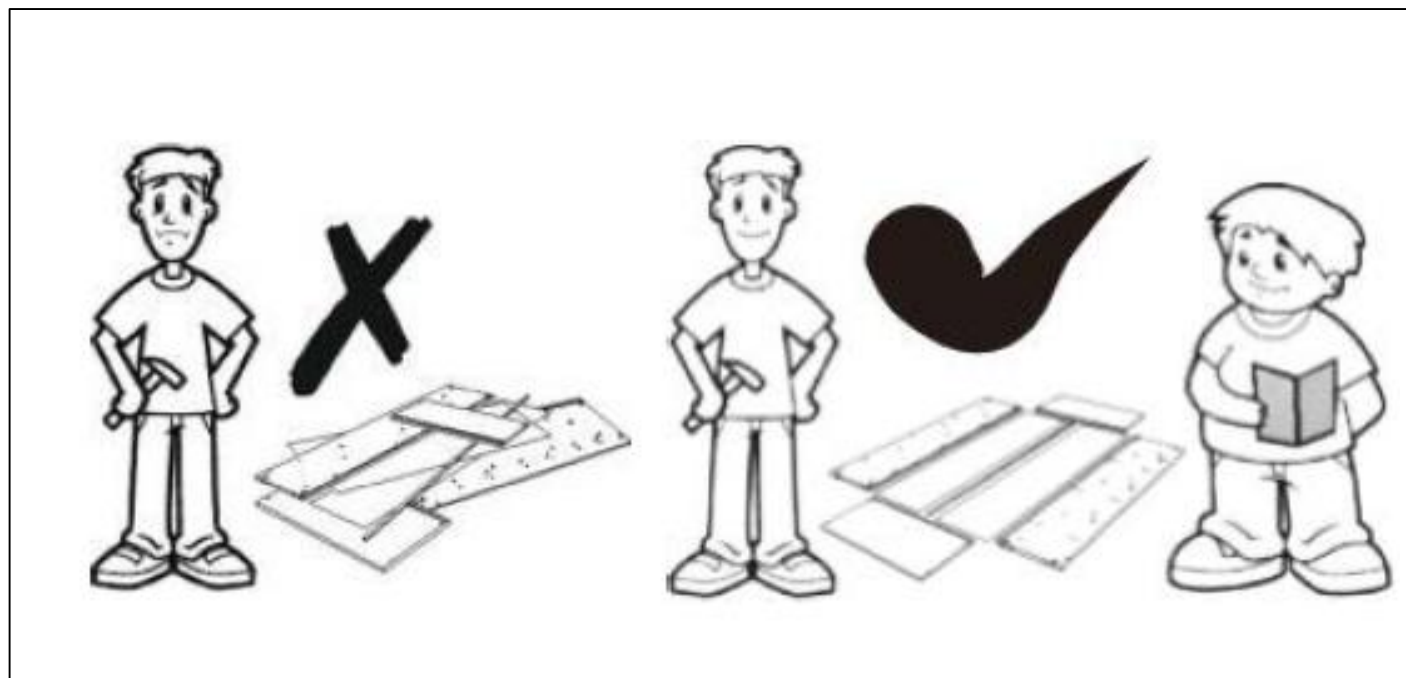


Self-provided universal tool diagram:


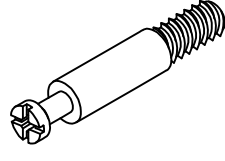
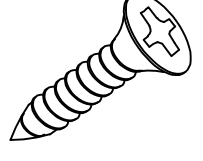
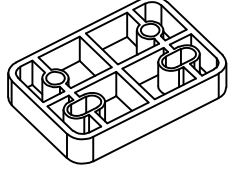
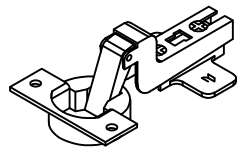
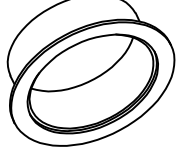
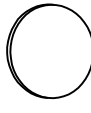
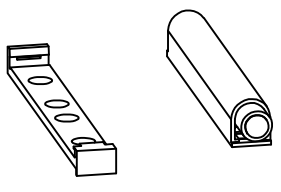
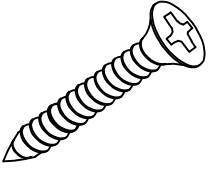




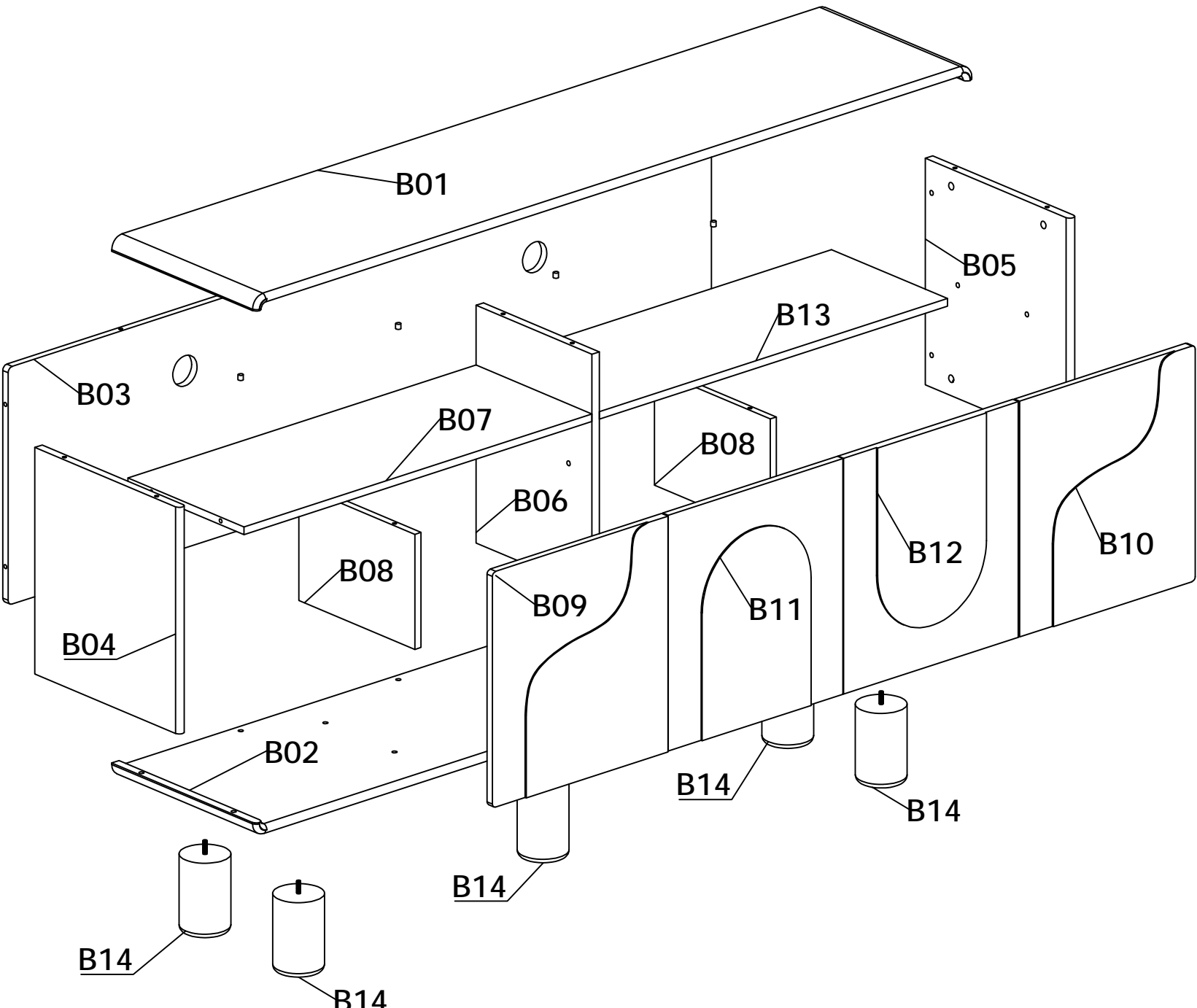
matters needing attention



Installation Hardware List

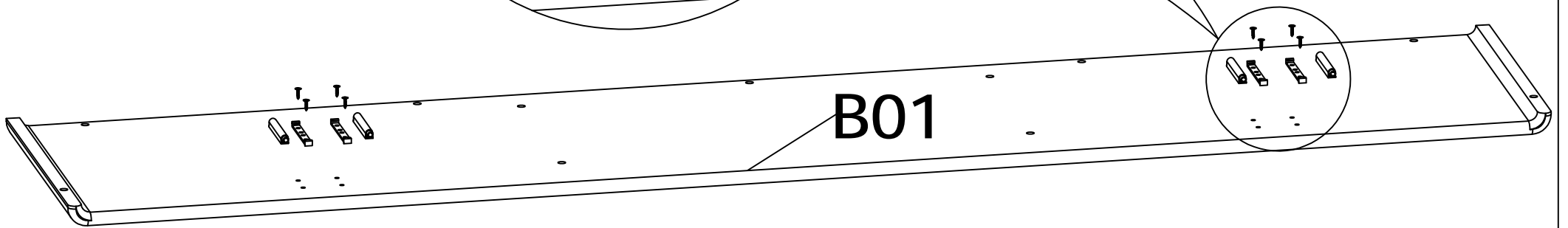
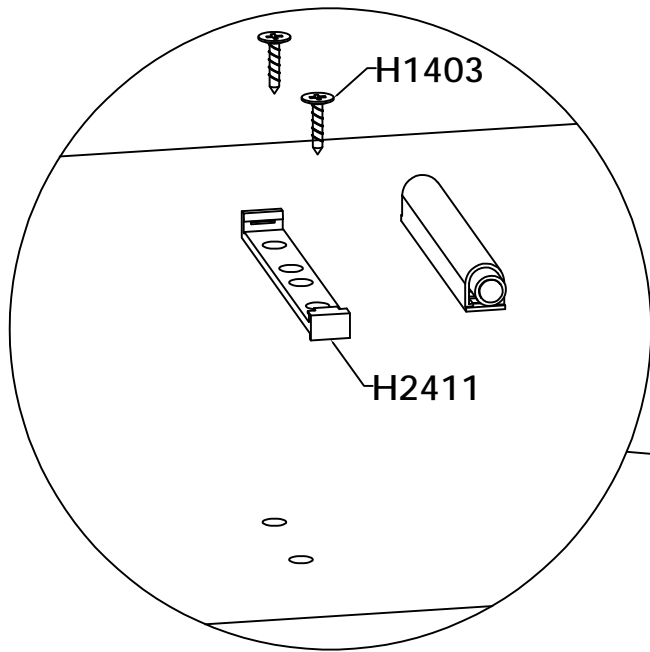
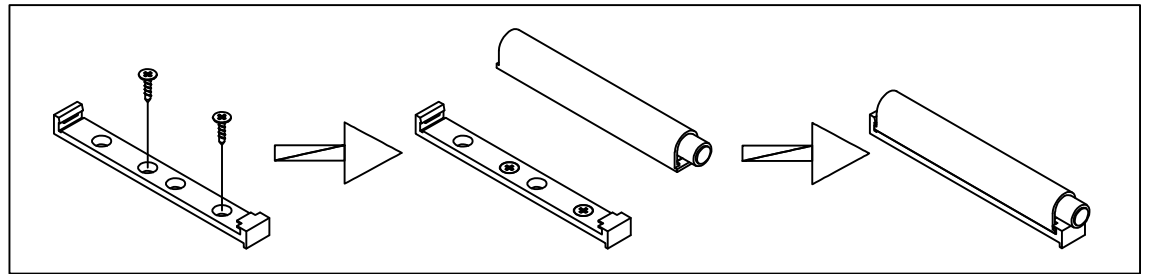
<p>H1201</p>  <p style="text-align: right;">46PCS</p>	<p>H1101</p>  <p style="text-align: right;">46PCS</p>	<p>H1403</p>  <p>M3.5*16</p> <p style="text-align: right;">64PCS</p>	<p>HK0096</p>  <p style="text-align: right;">4PCS</p>
<p>H2202</p>  <p style="text-align: right;">8PCS</p>	<p>H4208</p>  <p style="text-align: right;">2PCS</p>	<p>H4108</p>  <p style="text-align: right;">28PCS</p>	<p>H2411</p>  <p style="text-align: right;">4PCS</p>
<p>H1426</p>  <p>M3.5*25</p> <p style="text-align: right;">16PCS</p>			

Panel List

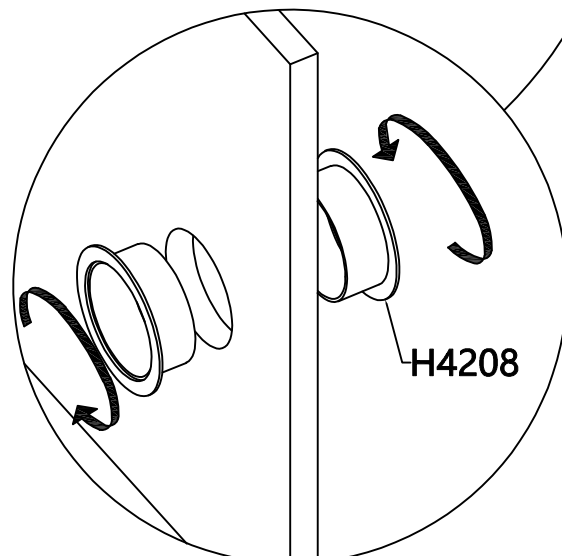
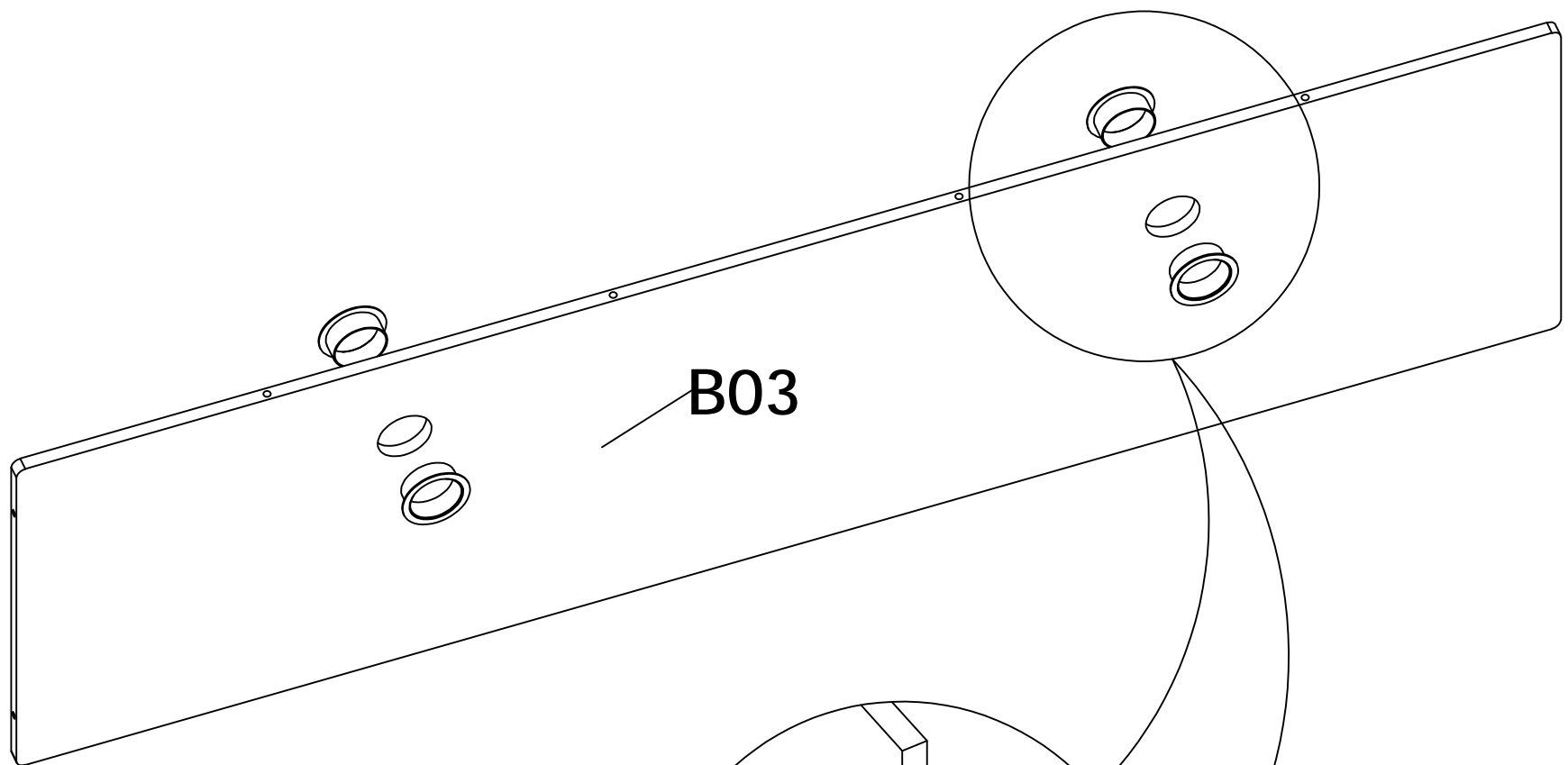
<p>B01*1 panel</p> <p>B02*1 floor</p> <p>B03*1 Backboard</p> <p>B04*1 Left side panel</p> <p>B05*1 Right side panel</p> <p>B06*1 Middle plate</p> <p>B07*1 Left layer board</p> <p>B08*2 Small upright board</p> <p>B09*1 Left door panel</p> <p>B10*1 Right door panel</p> <p>B11*1 Left middle door panel</p> <p>B12*1 Right middle door panel</p> <p>B13*1 Right layer board</p> <p>B14*5 leg</p>	
--	--

Installation steps

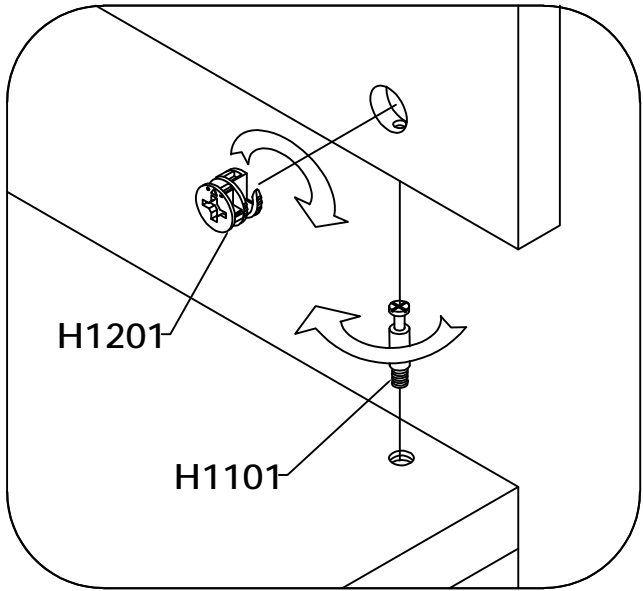
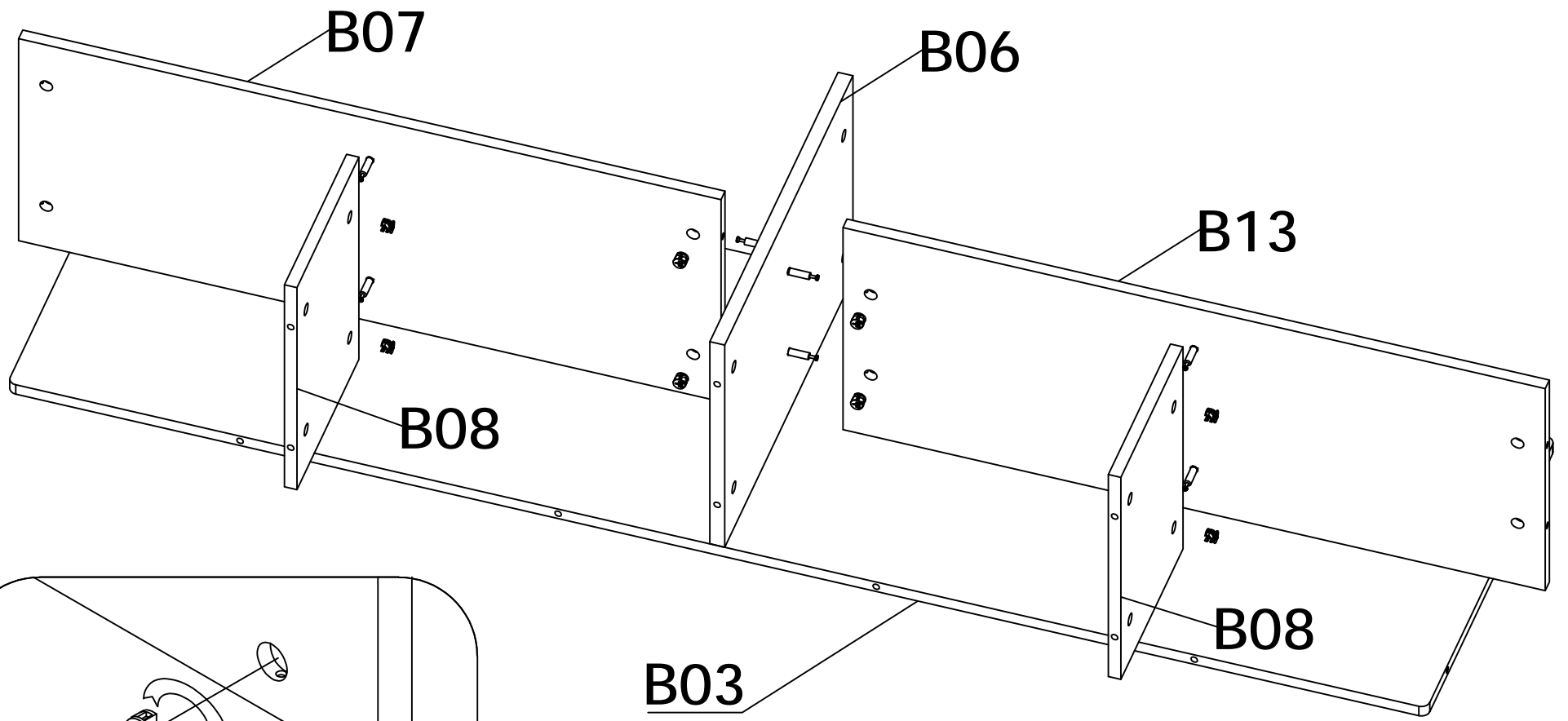
1



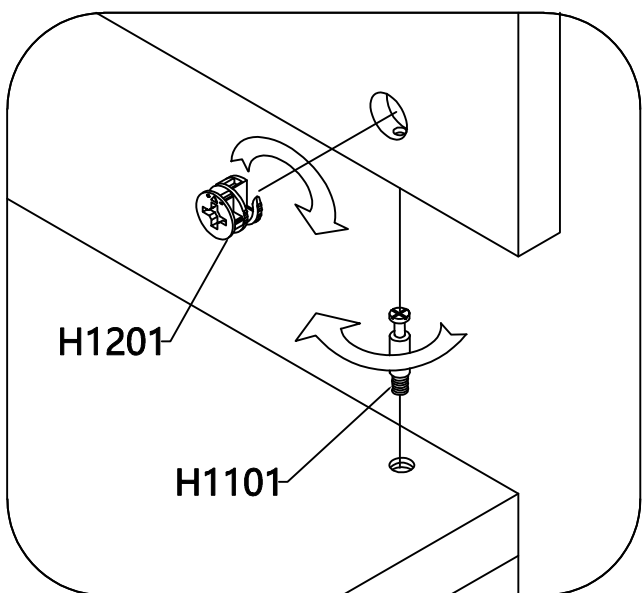
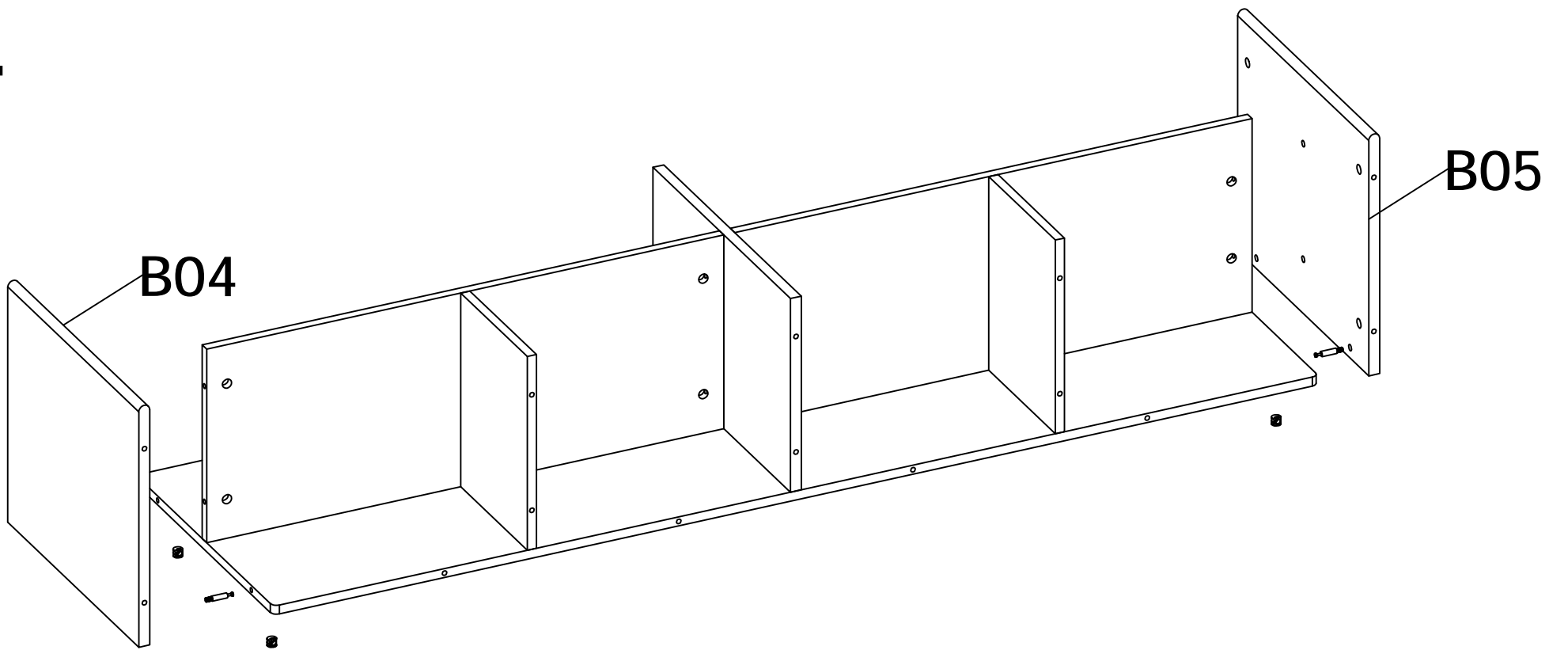
2



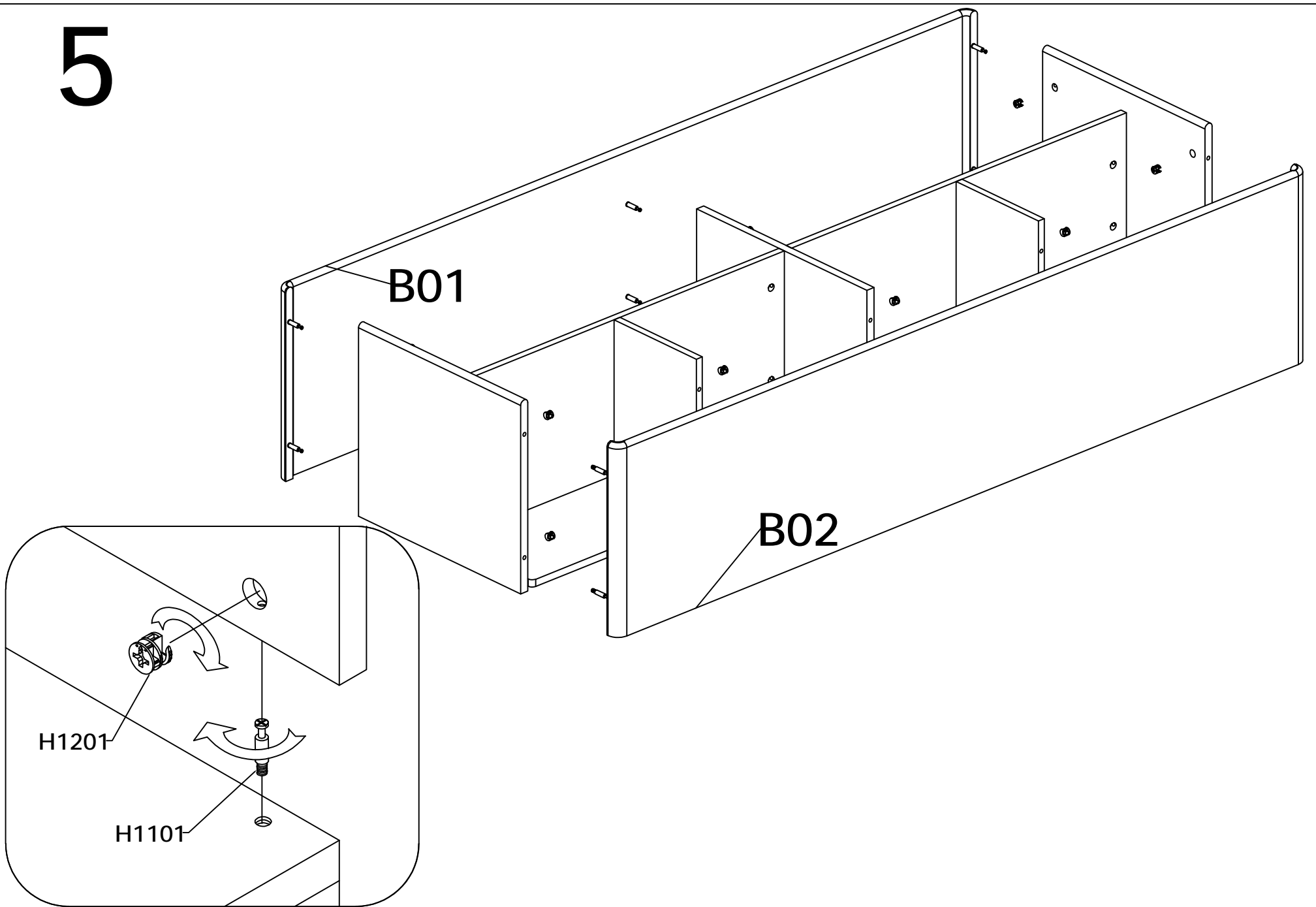
3



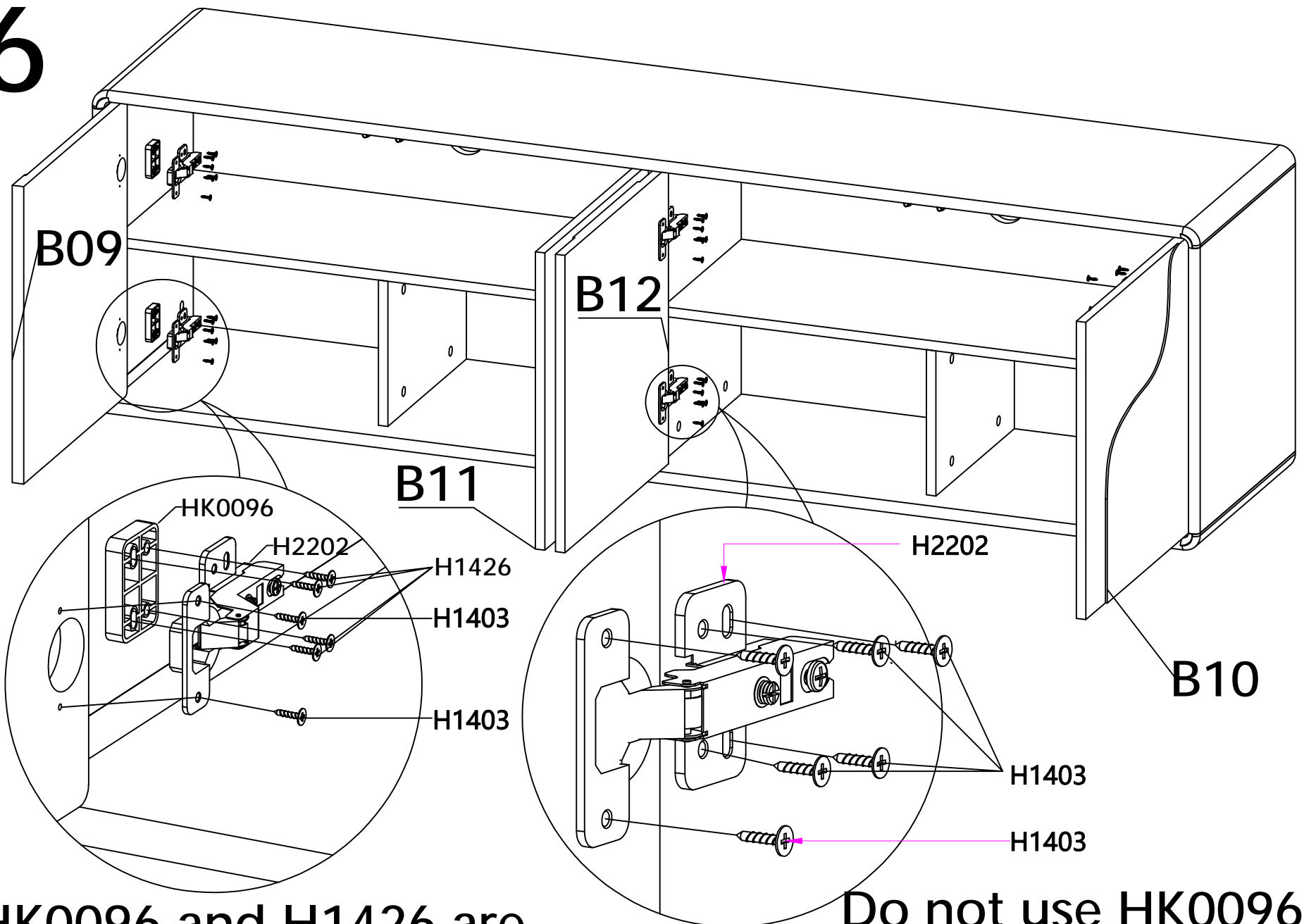
4



5



6



HK0096 and H1426 are required to install B09 and B10 door panels.

Do not use HK0096 and H1426 to install B11 and B12 door panels.

7

