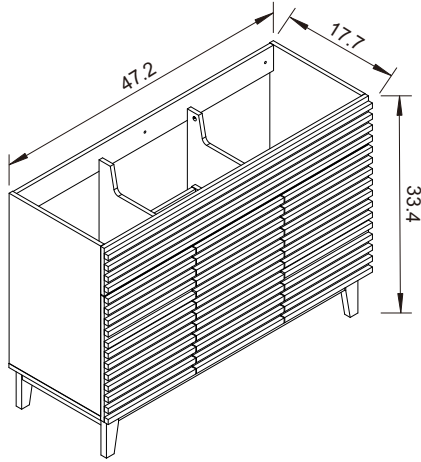


INSTALLATION INSTRUCTIONS

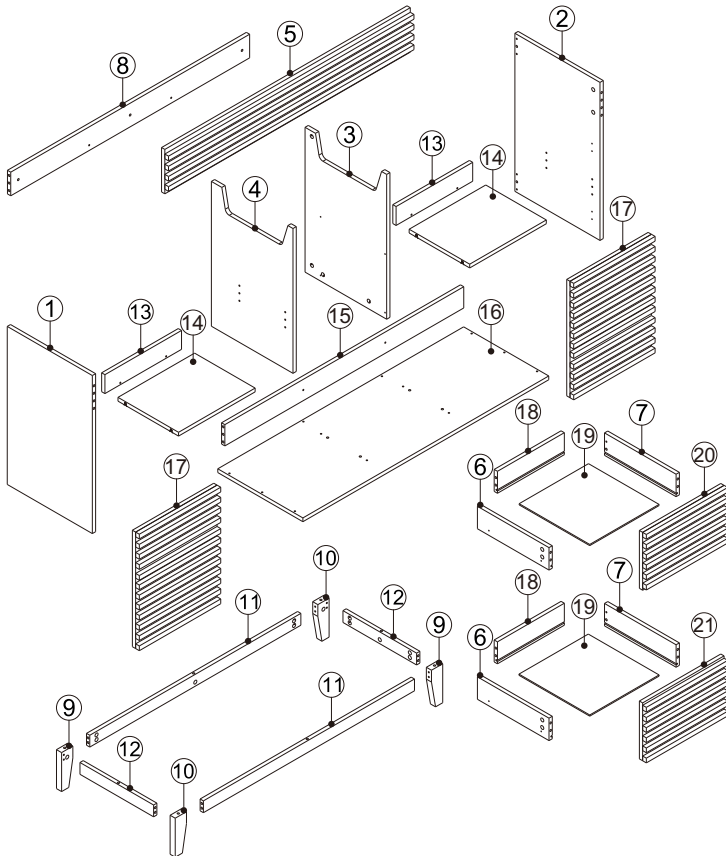
*The vessel and faucet set is not included

DIMENSIONS

















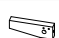



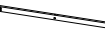





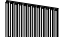


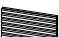

Unit:inch



ASSEMBLY DIAGRAM

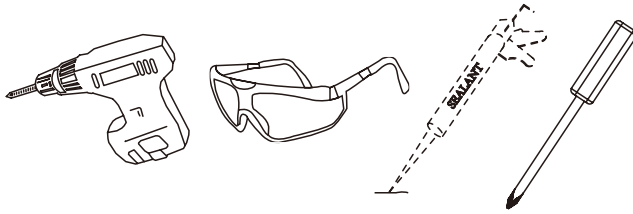


PARTS LIST

PARTS LIST			HARDWARE LIST		
No.	Description	QTY	No.	Description	QTY
1		1	A	 Three-in-one Connector	58
2		1	B	 Wood Plug	16
3		1	C	 Screws M4x14	56
4		1	D	 Foot nail	4
5		1	E	 Screws M5*40	10
6		2	F	 Hinges	4
7		2	G	 Shelf Braket	8
8		1	H	 Slider	4
9		2	I	 Bracket	2
10		2	J	 Screws For Fix On The Wall M5.5x60	3
11		2			
12		2			
13		2			
14		2			
15		1			
16		1			
17		2			
18		2			
19		2			
20		1			
21		1			

CAUTION: Please confirm the parts list before installtion

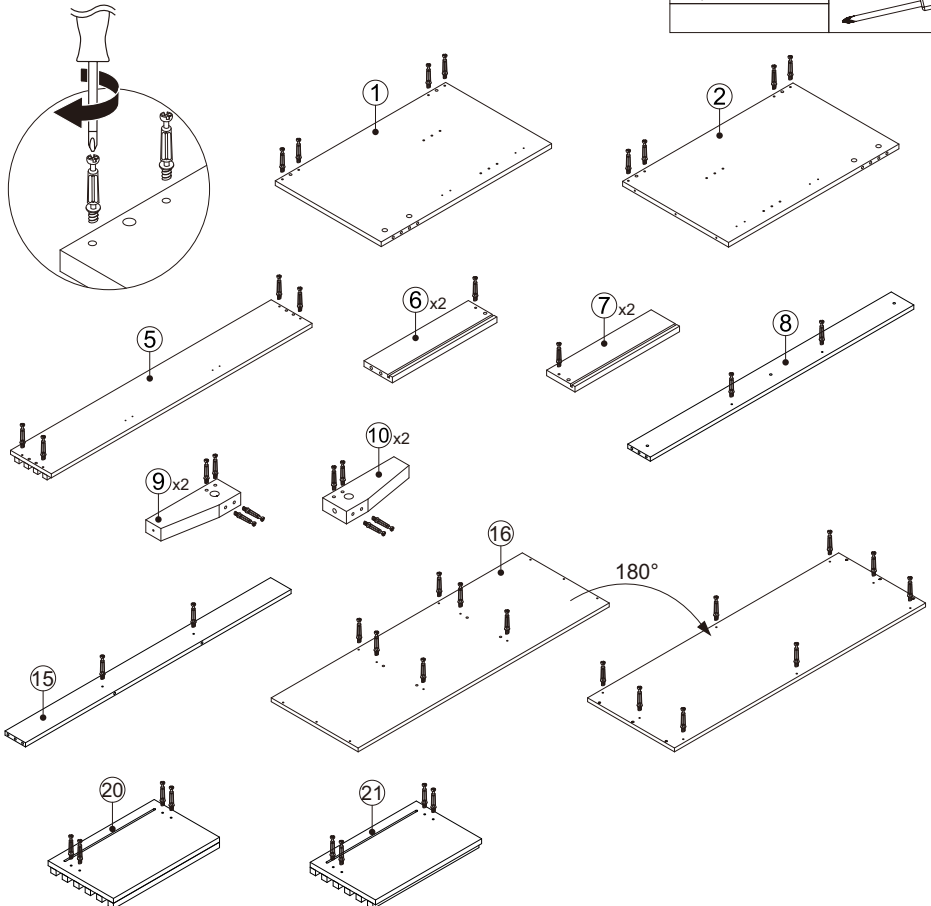
YOU MAY NEED (NOT SUPPLIED)



INSTALLATIONS



STEP 1

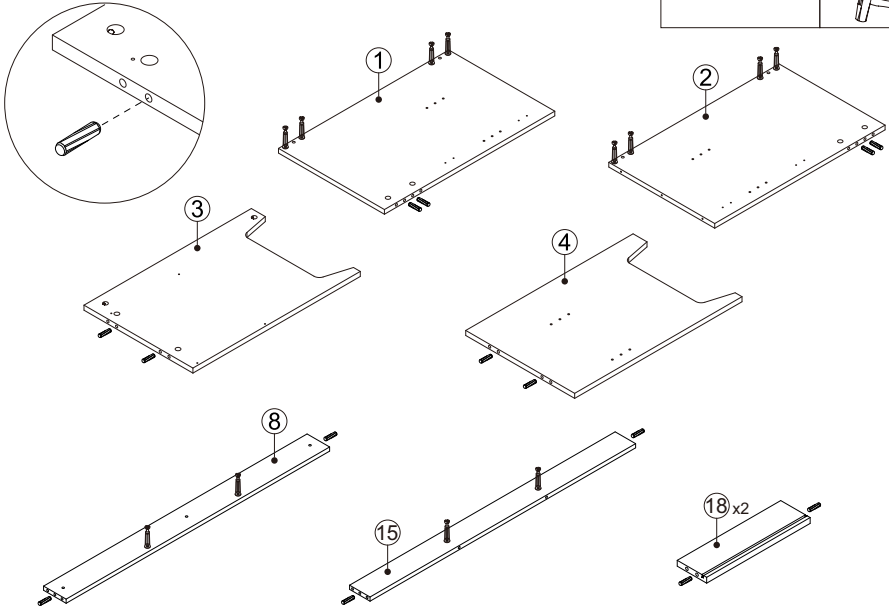
HARDWARE LIST	
A	58PCS



- Insert the Cam Screw into the shelves above.

STEP 2

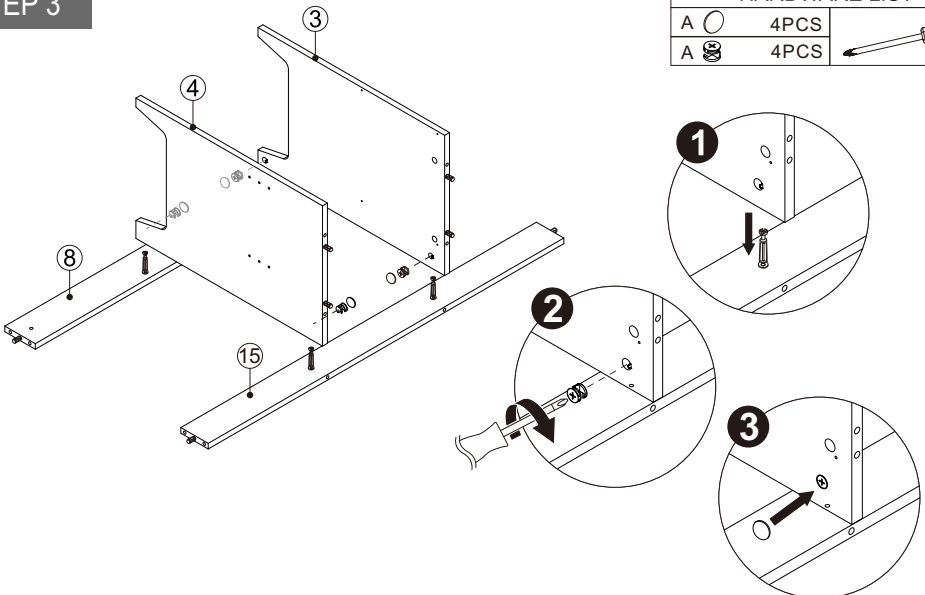
HARDWARE LIST		
B		16PCS
		



- Insert the wooden dowel pins into the shelves.

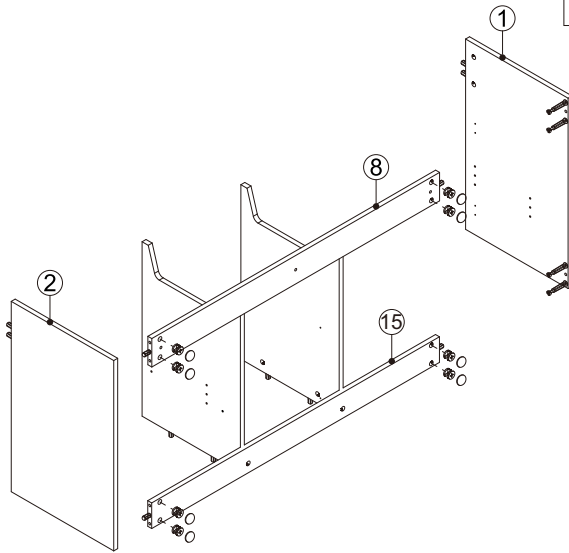
STEP 3




HARDWARE LIST		
A		4PCS
A		4PCS
		



- Refer to the illustration, Insert the boards #3,#4 into the #8,#15. Then tighten the cam lock with the cover.

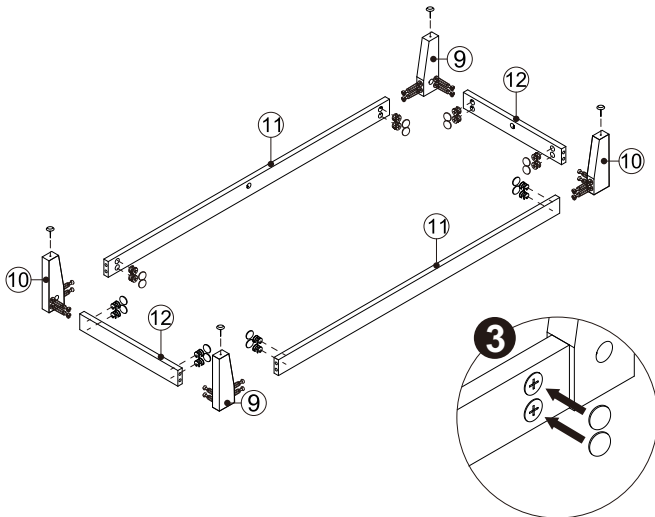
STEP 4







HARDWARE LIST	
 8PCS	
 8PCS	

- Insert the boards #1,#2 into the already assembled #8, #15. Then tighten the cam lock with the cover.



STEP 5

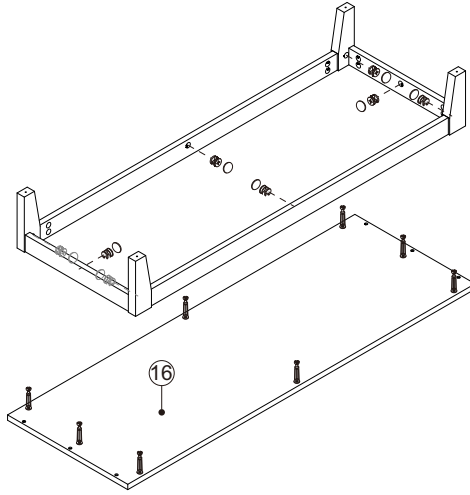
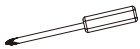


HARDWARE LIST	
A  16PCS	
A  16PCS	
D  4PCS	

- Refer to the illustration, connect the boards #9,#10,#11,#12 together. Then tighten the cam lock with the cover.




STEP 6

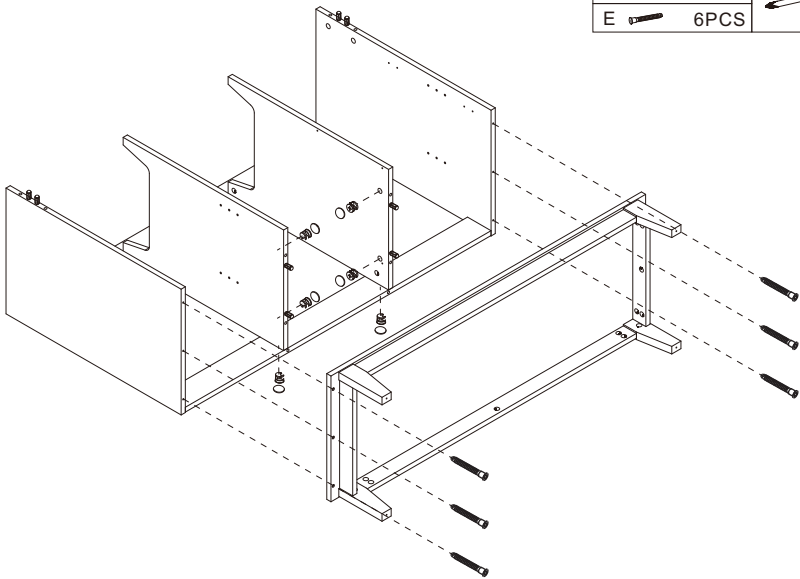
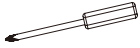
HARDWARE LIST		
A		8PCS
A		8PCS



- Insert the assembled boards into the #16. Then tighten the cam lock with the cover.



STEP 7

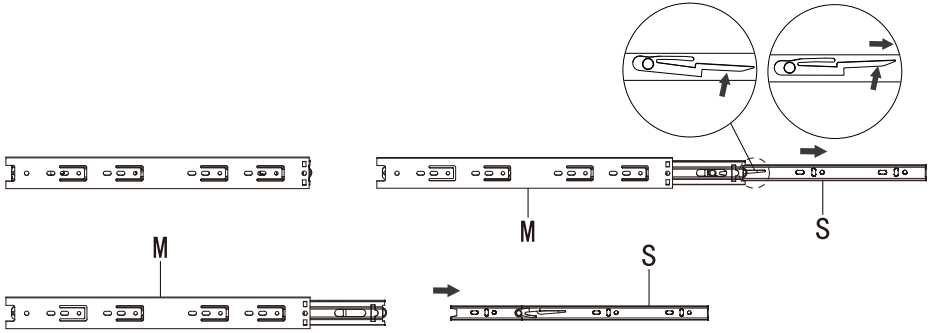
HARDWARE LIST		
A		6PCS
A		6PCS
E		6PCS



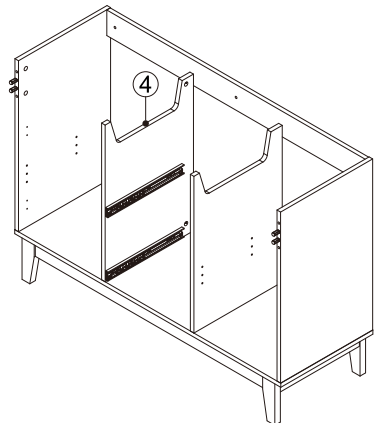
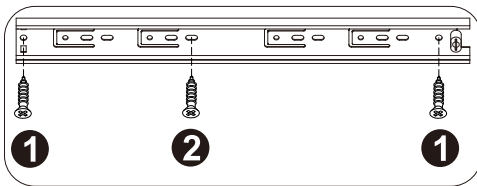
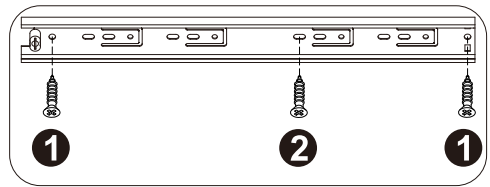
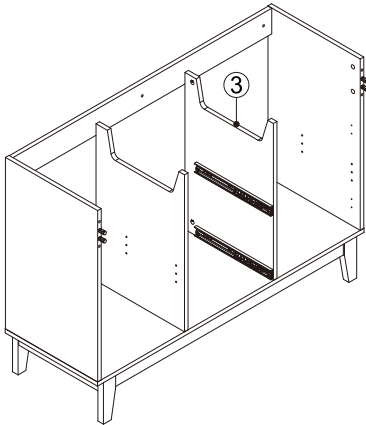
- Connect the cabinet with the assembled feet with screws. Then tighten the cam lock with the cover.

STEP 8

HARDWARE LIST		
H		4PCS
C		12PCS





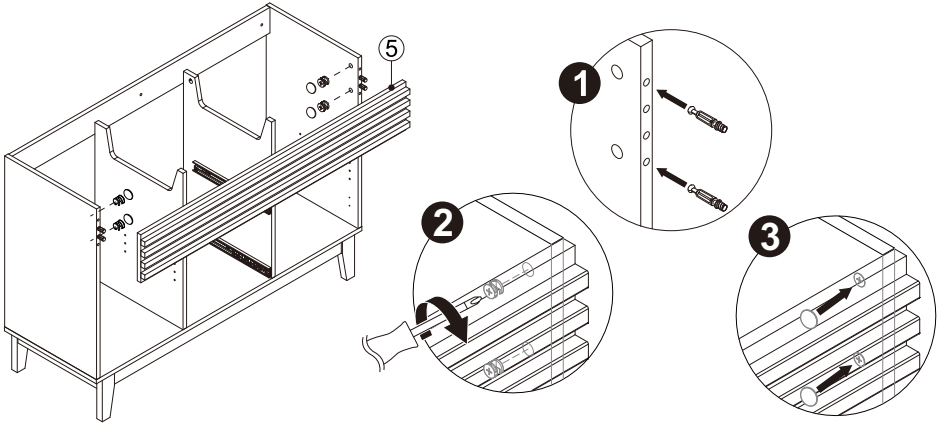
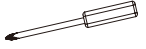
● Keep pressing here, then pull out to device the slide.



● Refer to the illustration, to fix the slide rails to the boards #3,#4 with screws.

STEP 9

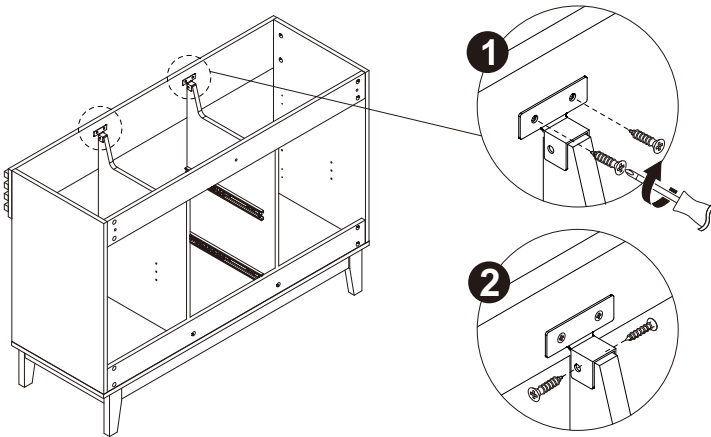
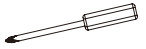
HARDWARE LIST		
A		4PCS
A		4PCS



- Refer to the illustration, insert the #5 into the assembled boards as well. Then tighten the cam lock with the cover.

STEP 10

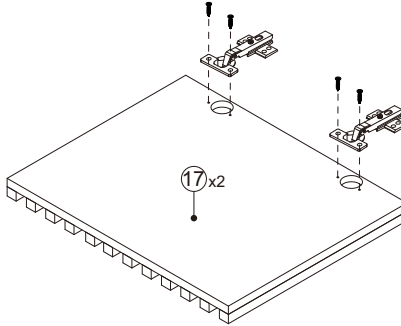
HARDWARE LIST		
C		8PCS
I		2PCS



- Refer to the illustration, lock the angle iron on the boards #3, #4 by screws.

STEP 11

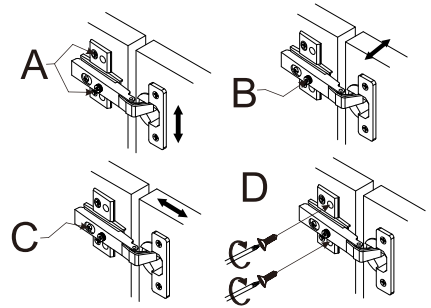
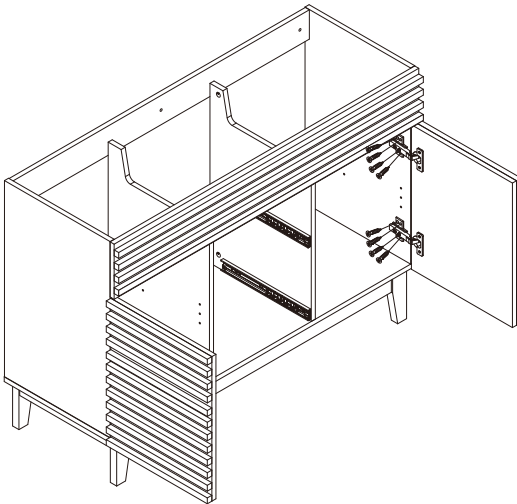
HARDWARE LIST		
C	 8PCS	
F	 4PCS	



- Use screws to connect the hinge bracket to the cabinet.

STEP 12

HARDWARE LIST		
C	 16PCS	

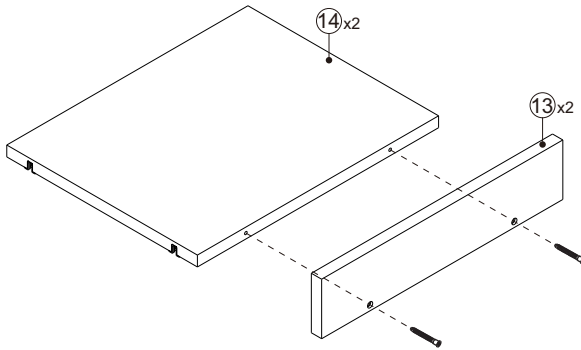


- A. Height adjustment
- B. Side to side adjustment
- C. Depth adjustment
- D. After adjustment A/B/C, tighten screws.

- To ensure proper cabinet alignment, refer to the above illustrations for instructions about adjusting the cabinet height, depth and lateral movement.

STEP 13

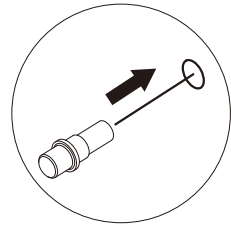
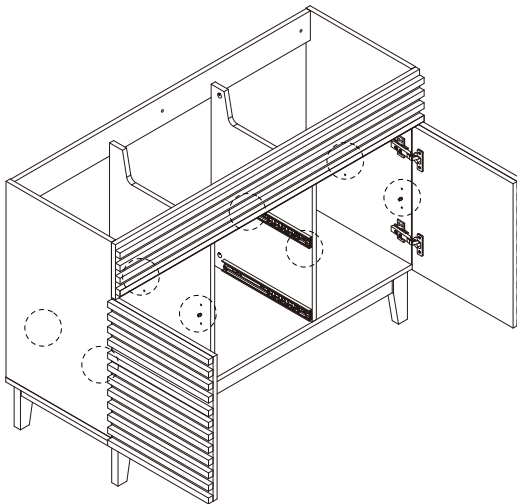
HARDWARE LIST		
E		4PCS
		



- Use screws connect the boards #13,#14 together.

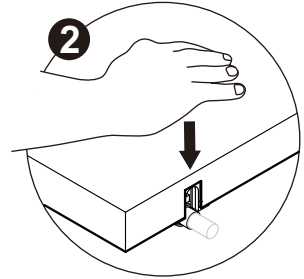
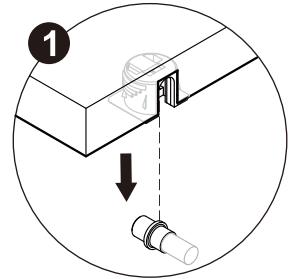
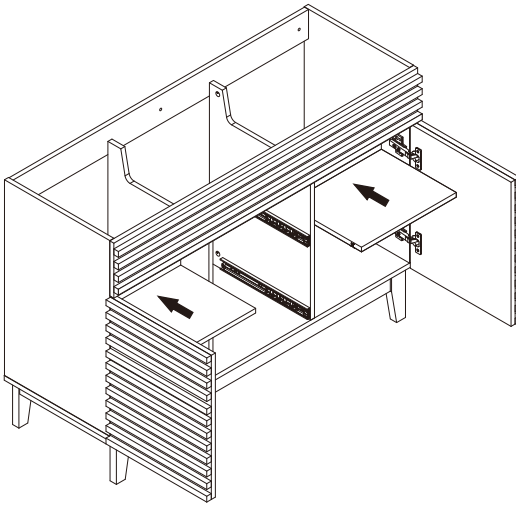
STEP 14

HARDWARE LIST		
G		8PCS
		



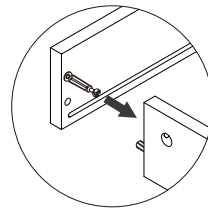
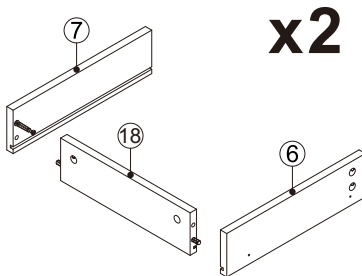
- Refer to the illustration,insert the shelf braket into the corresponding holes.

STEP 15



- Refer to the illustration, put the assembled shelves insert the clasp into the shelf bracket.

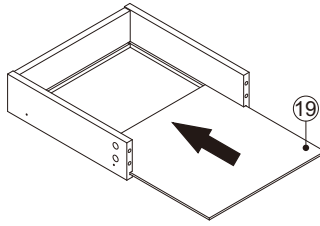
STEP 16



- Refer to the illustration, Insert the boards #6,#7 into the #18.

STEP 17

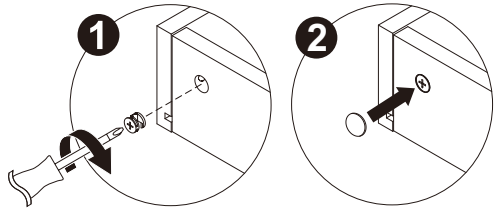
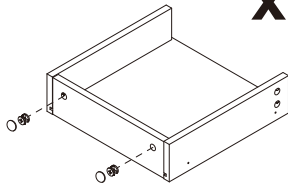
x2



- Insert the boards #19 into the finished board.

STEP 18

x2

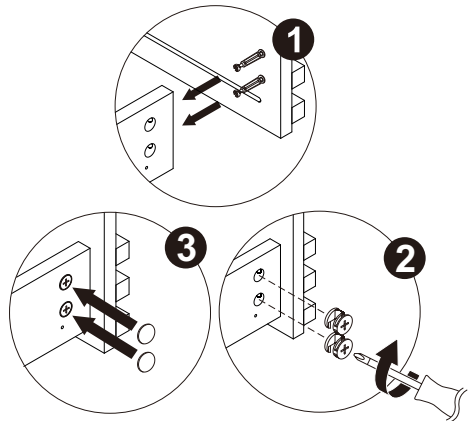
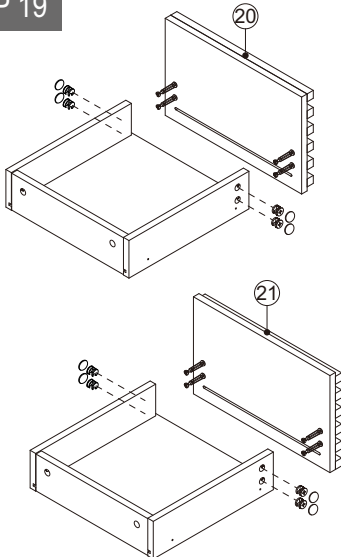


HARDWARE LIST		
A		4PCS
A		4PCS



- Refer to the illustration, tighten the cam lock with the cover.

STEP 19



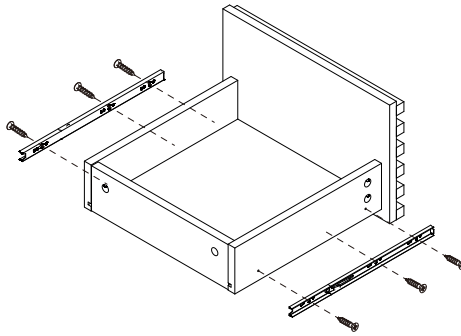
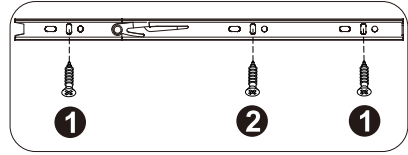
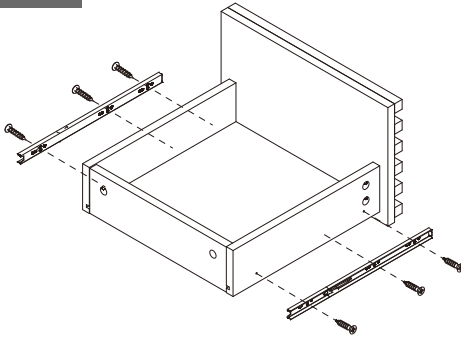
HARDWARE LIST		
A		8PCS
A		8PCS



- Refer to the illustration, Insert the boards #20, #21 into the finished board. Then tighten the cam lock with the cover.

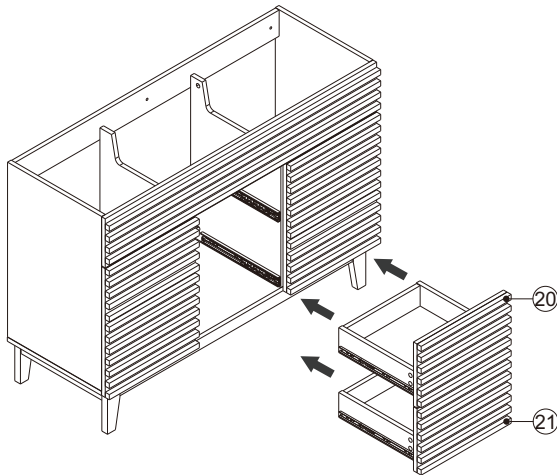
STEP 20

HARDWARE LIST		
H		4PCS
C		12PCS



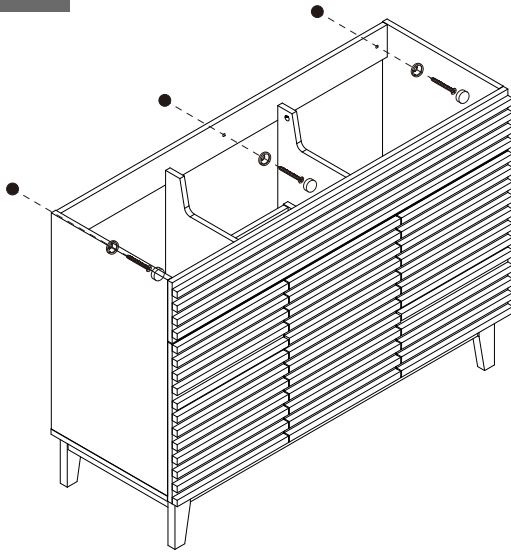
- Refer to the illustration, apply screws to fix the slides on the boards #6,#7.





STEP 21

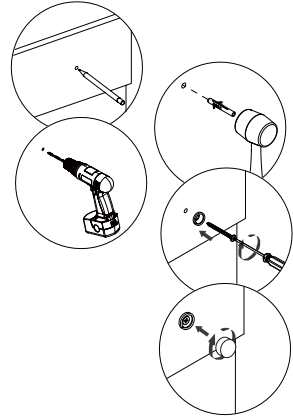


- Assembled drawers are loaded onto cabinets.

STEP 22

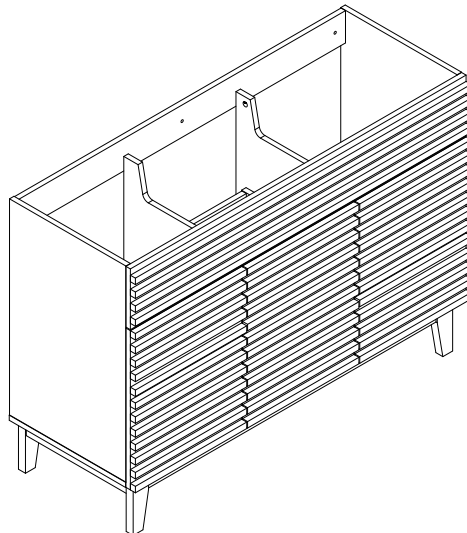


HARDWARE LIST		
J		3PCS
J		3PCS
J		3PCS
J		3PCS



- Refer to the illustration, draw the spacing between the walls on the cabinet, punch holes in the wall, and fix the cabinet to the wall with screws. Then tighten the nut cover.

STEP 23



- To help prevent mildew, apply sealant to the space between the wall and the edge of the cabinet.

CARE AND CLEANING

1. Many cleansers contain abrasive and chemical substance which is not suitable for cleaning stainless steel, enamel, plating or plastic products. You may use mild cleansers or soaps to clean the surfaces. Wipe any splashes of cleaner solutions from the surface with a clean soft cloth.
2. Maintain ventilation in the bathroom and separate the dry area from the damp one if conditions permit. Try to open the door and windows of the bathroom to maintain adequate ventilation.
3. This cabinet is built to withstand normal bathroom humidity. For best results, keep this vanity dry and take necessary steps to minimize bathroom humidity by opening windows and doors and using the exhaust fan (if available).
4. To maintain the cabinet door, clean and wipe the door regularly with a soft cloth. Wipe condensation with a dry, soft cloth. Keep away from res and high temperatures.
5. Please do not sit, lean or step on the basin cabinet.

FEEDBACK ★★★★★

Thank you very much for purchasing from us.

We have always been trying to provide the best service and reliable products for every customer.

We sincerely hope you will be satisfied with our products and leave us FIVE STARS and POSITIVE feedback/ review in our page.

However, accident may happen sometimes, please contact us to resolve any issue before leaving a negative feedback.

Many thanks and welcome to our shop again!