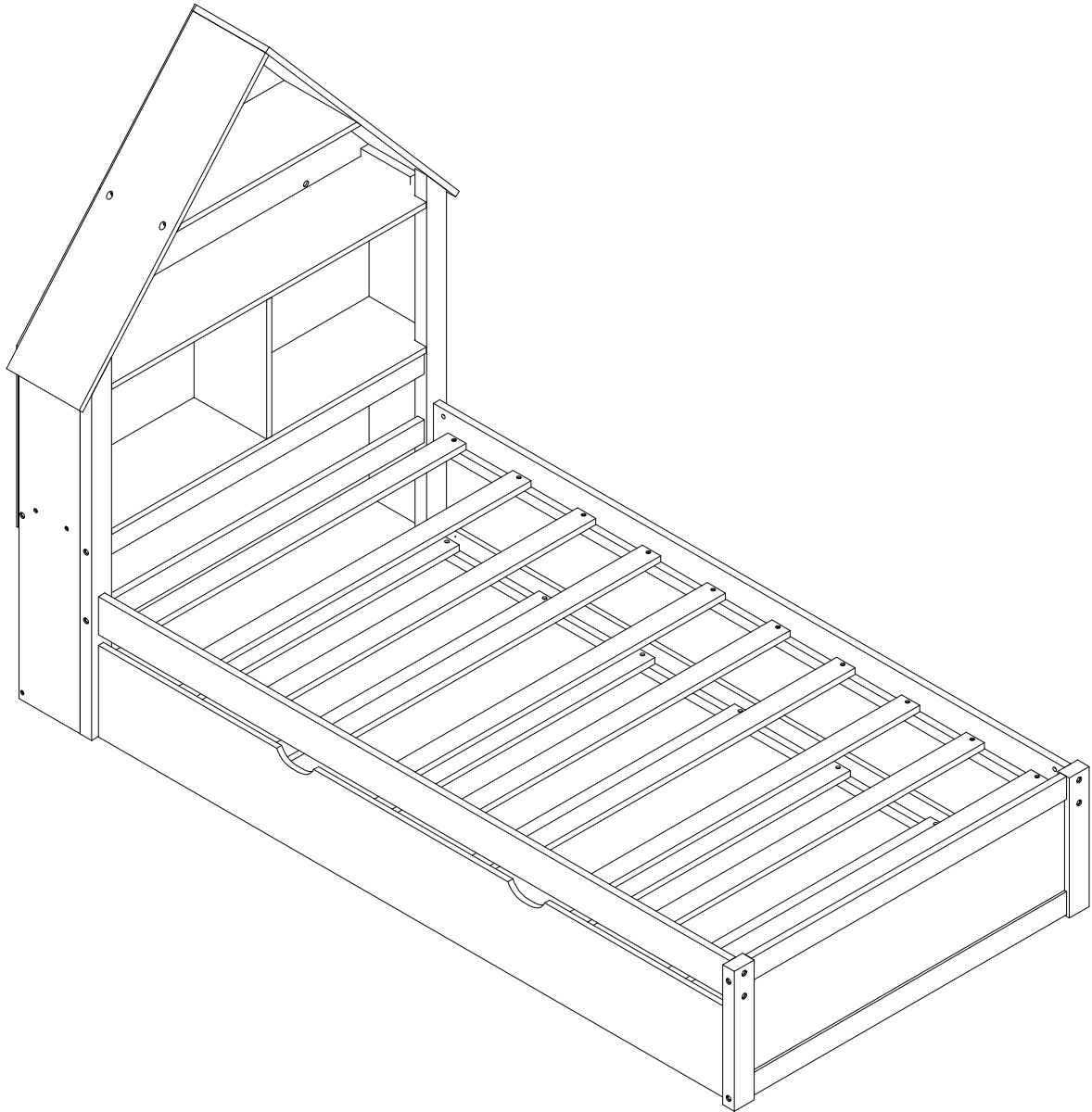
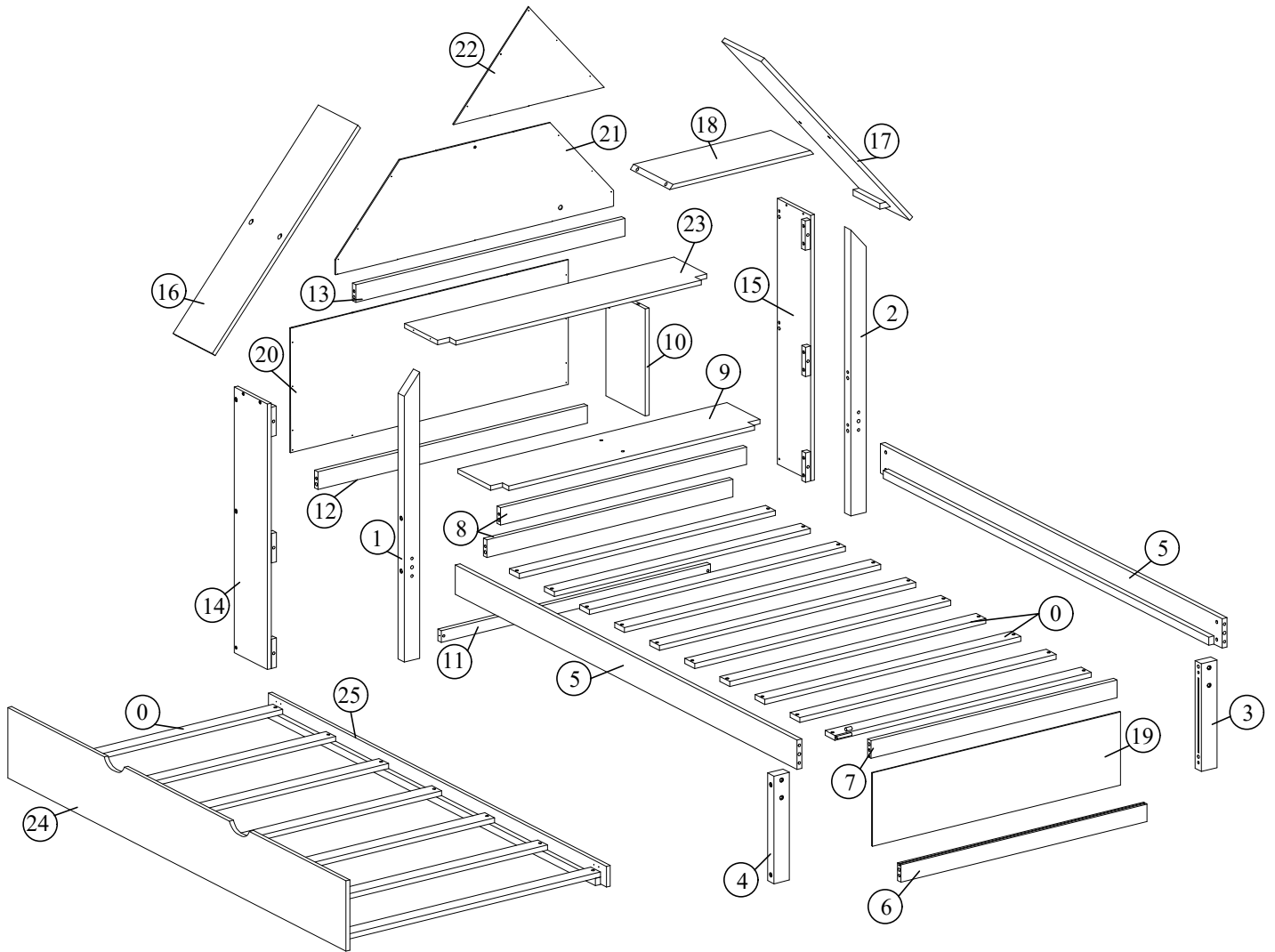


# ASSEMBLY INSTRUCTION

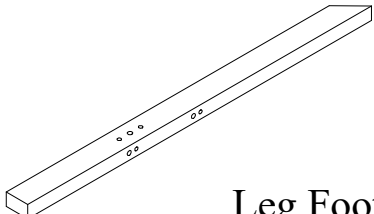
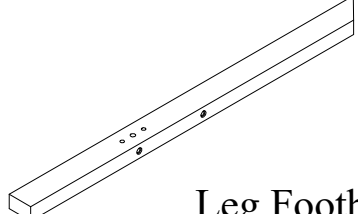
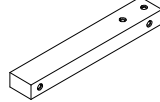
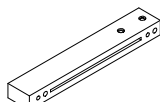
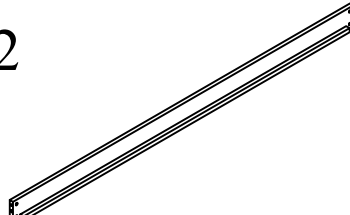
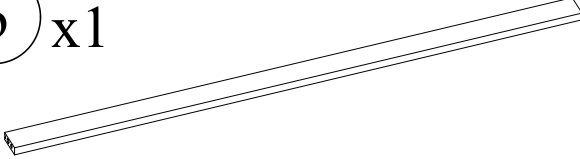
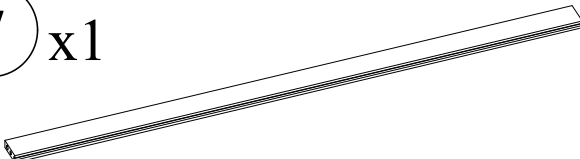
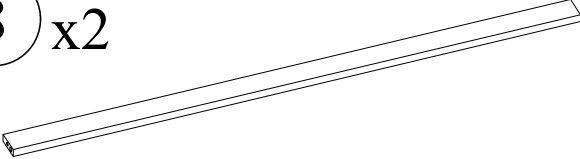
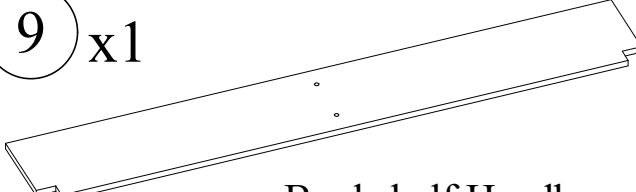
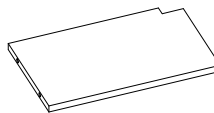
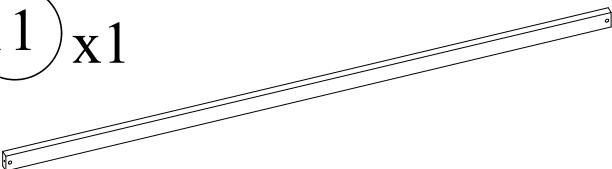
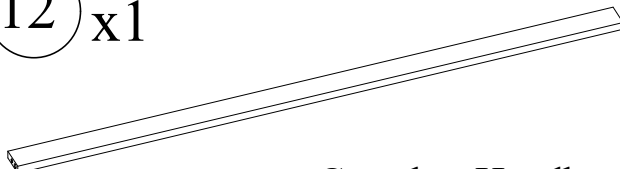
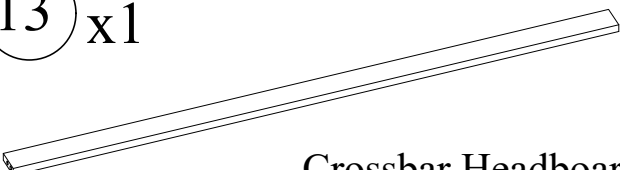
SKU CODE: WF530847



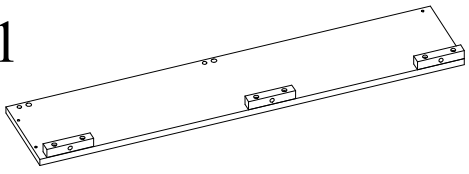
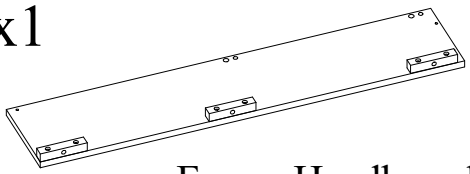
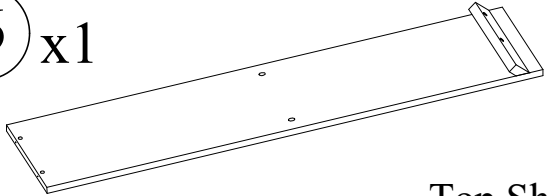
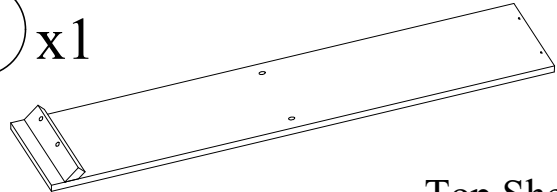
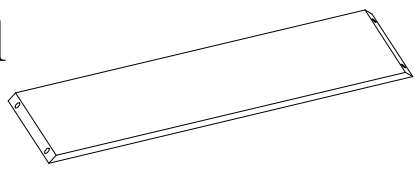
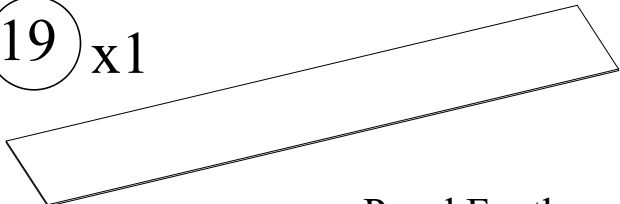
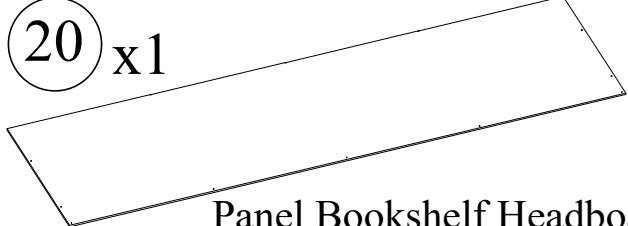
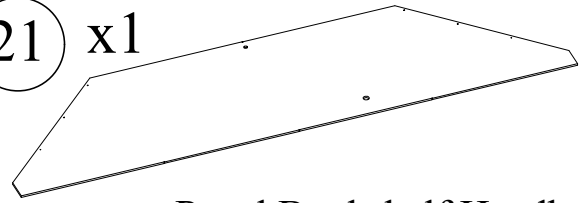
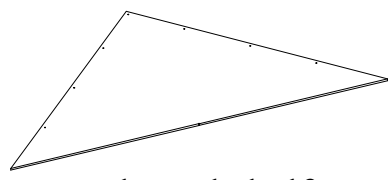
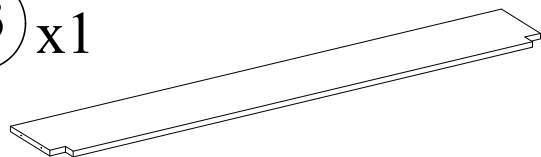
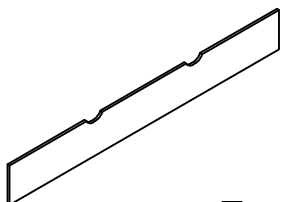
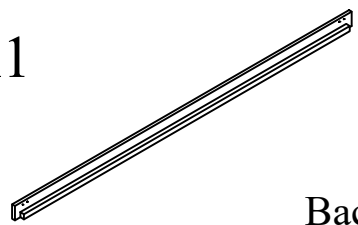
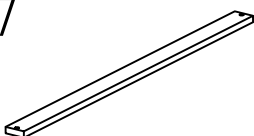
# Detail view



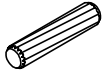
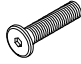










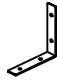


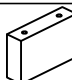

# Part List (WF530847)

|  |  |
|--|--|
| <p>① x1</p>  <p>Leg Footboard</p>         | <p>② x1</p>  <p>Leg Footboard</p>       |
| <p>③ x1</p>  <p>Leg Footboard</p>         | <p>④ x1</p>  <p>Leg Footboard</p>       |
| <p>⑤ x2</p>  <p>Side rail</p>             | <p>⑥ x1</p>  <p>Crossbar Footboard</p>   |
| <p>⑦ x1</p>  <p>Crossbar Footboard</p>   | <p>⑧ x2</p>  <p>Crossbar Headboard</p>  |
| <p>⑨ x1</p>  <p>Bookshelf Headboard</p> | <p>⑩ x1</p>  <p>Mid Bookshelf</p>     |
| <p>⑪ x1</p>  <p>Crossbar Headboard</p>  | <p>⑫ x1</p>  <p>Crossbar Headboard</p> |
| <p>⑬ x1</p>  <p>Crossbar Headboard</p>  |  |

# Part List (WF530847)

|   |   |
|---|---|
| <p>14 x1</p>  <p>Frame Headboard Leg</p>         | <p>15 x1</p>  <p>Frame Headboard Leg</p>        |
| <p>16 x1</p>  <p>Top Shelf</p>                   | <p>17 x1</p>  <p>Top Shelf</p>                  |
| <p>18 x1</p>  <p>Bookshelf</p>                   | <p>19 x1</p>  <p>Panel Footboard</p>            |
| <p>20 x1</p>  <p>Panel Bookshelf Headboard</p>  | <p>21 x1</p>  <p>Panel Bookshelf Headboard</p> |
| <p>22 x1</p>  <p>Panel Bookshelf Headboard</p> | <p>23 x1</p>  <p>Bookshelf Headboard</p>      |
| <p>24 x1</p>  <p>Front Trundle</p>             | <p>25 x1</p>  <p>Back Trundle</p>             |
| <p>0 x17</p>  <p>Slats</p>                     |   |

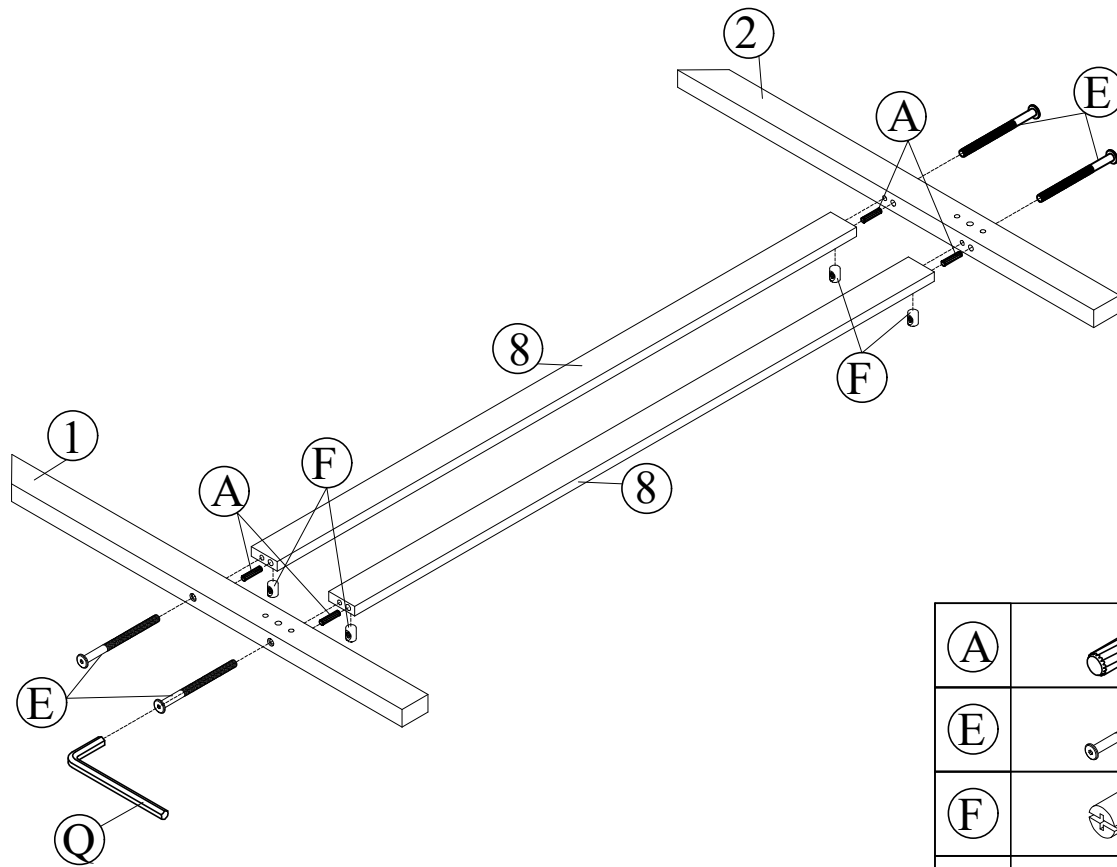
## Hardware List (WF530847)

| No. | OUTLOOK   | DESC                  | QTY |
|-----|---|-----------------------|-----|
| (A) |    | Dowel Ø10*40mm        | 16  |
| (B) |    | Bolts 1/4"*30mm       | 10  |
| (C) |    | Bolts 1/4"*60mm       | 8   |
| (D) |    | Bolts 1/4"*80mm       | 8   |
| (E) |    | Bolts 1/4"*100mm      | 8   |
| (F) |    | Cross dowel 1/4"*13mm | 24  |
| (G) |    | Screws #6*12mm        | 36  |
| (H) |    | Screws #6*15mm        | 30  |
| (K) |   | Screws #8*30mm        | 50  |
| (L) |  | Connecting Bolt       | 4   |
| (M) |  | Connector Housing     | 4   |
| (N) |  | Wheels                | 4   |
| (O) |  | Base L long           | 2   |
| (P) |  | Base L small          | 2   |
| (Q) |  | Allen key 60*22*4mm   | 1   |
| (R) |  | Wood stops            | 2   |
| (S) |  | Led light             | 1   |

ASSEMBLY TOOLS REQUIRED (NOT INCLUDED)

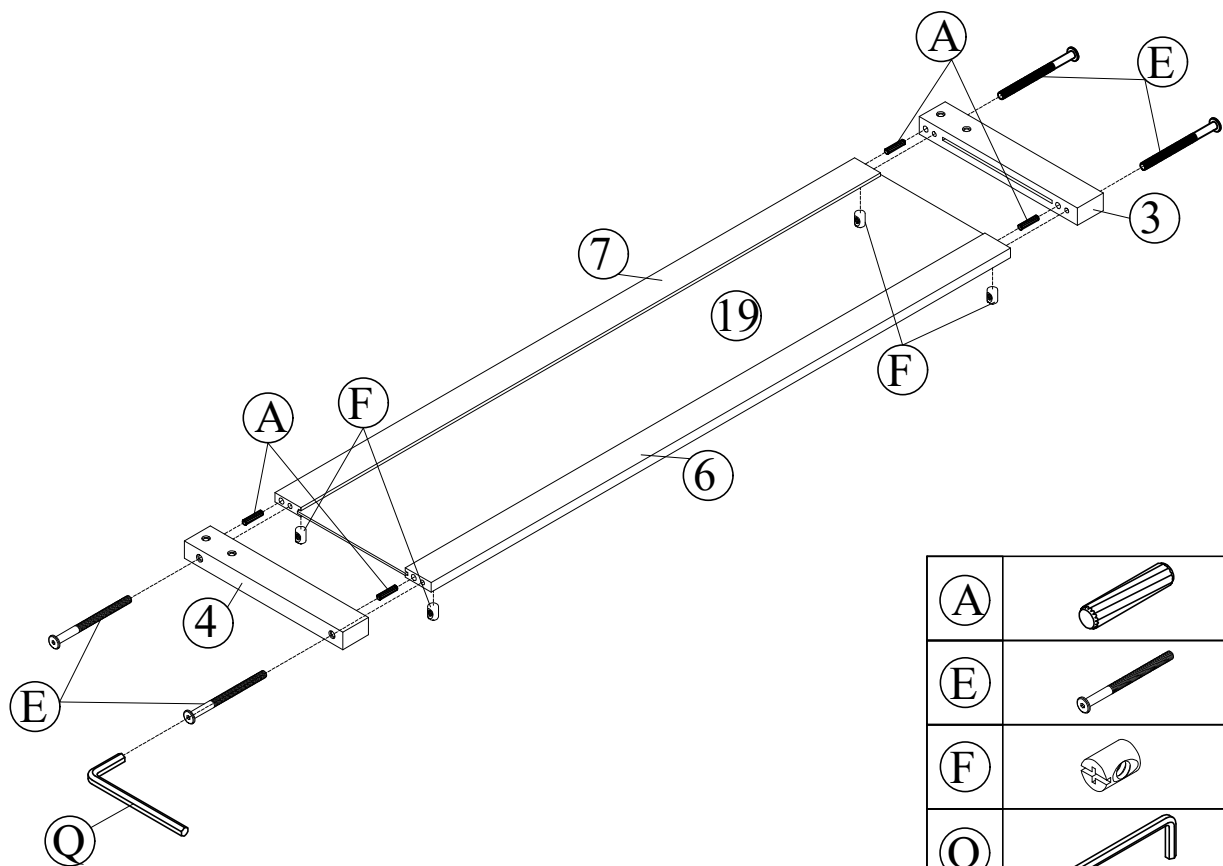


# STEP 1:



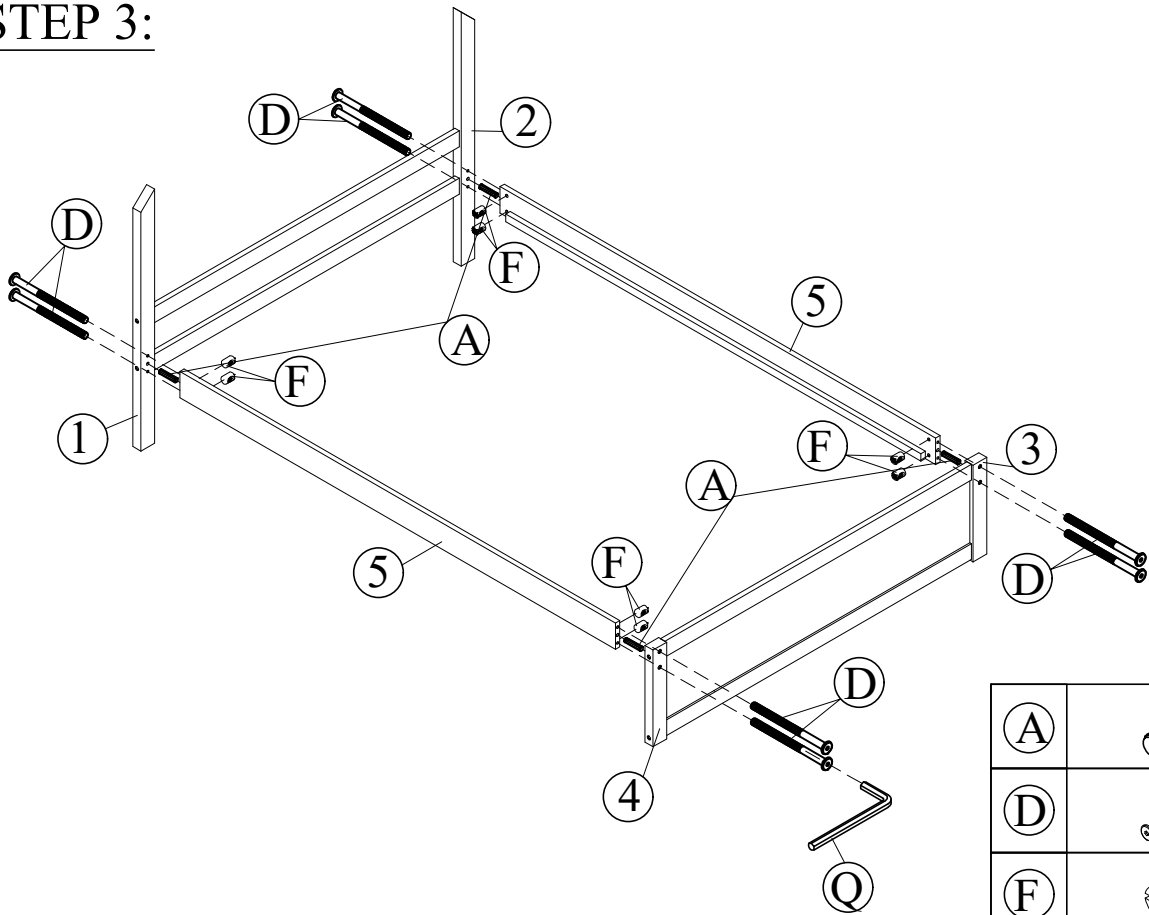
|     |  |    |
|-----|--|----|
| (A) |  | 04 |
| (E) |  | 04 |
| (F) |  | 04 |
| (Q) |  | 01 |

# STEP 2:



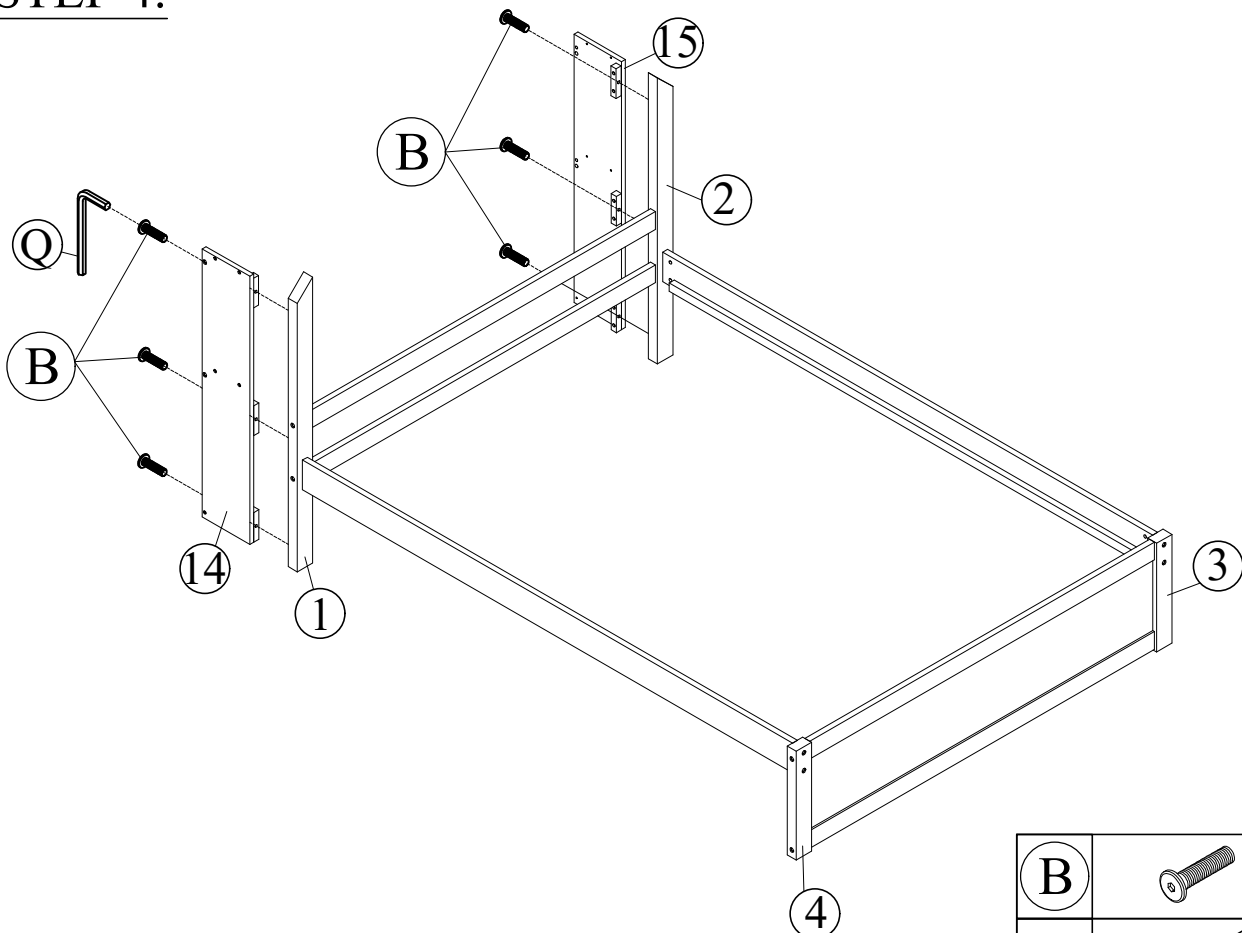
|     |  |    |
|-----|--|----|
| (A) |  | 04 |
| (E) |  | 04 |
| (F) |  | 04 |
| (Q) |  | 01 |

### STEP 3:



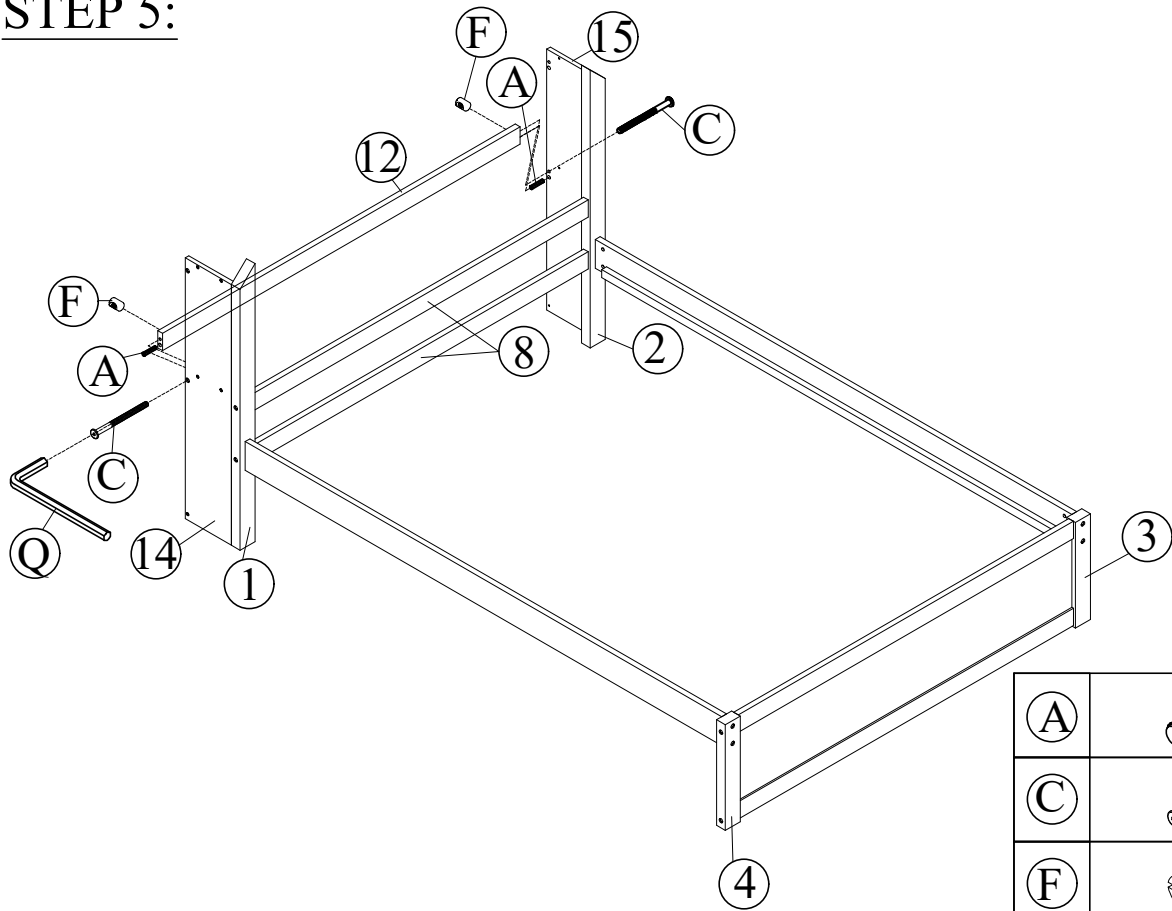
|     |  |    |
|-----|--|----|
| (A) |  | 04 |
| (D) |  | 08 |
| (F) |  | 08 |
| (Q) |  | 01 |

### STEP 4:



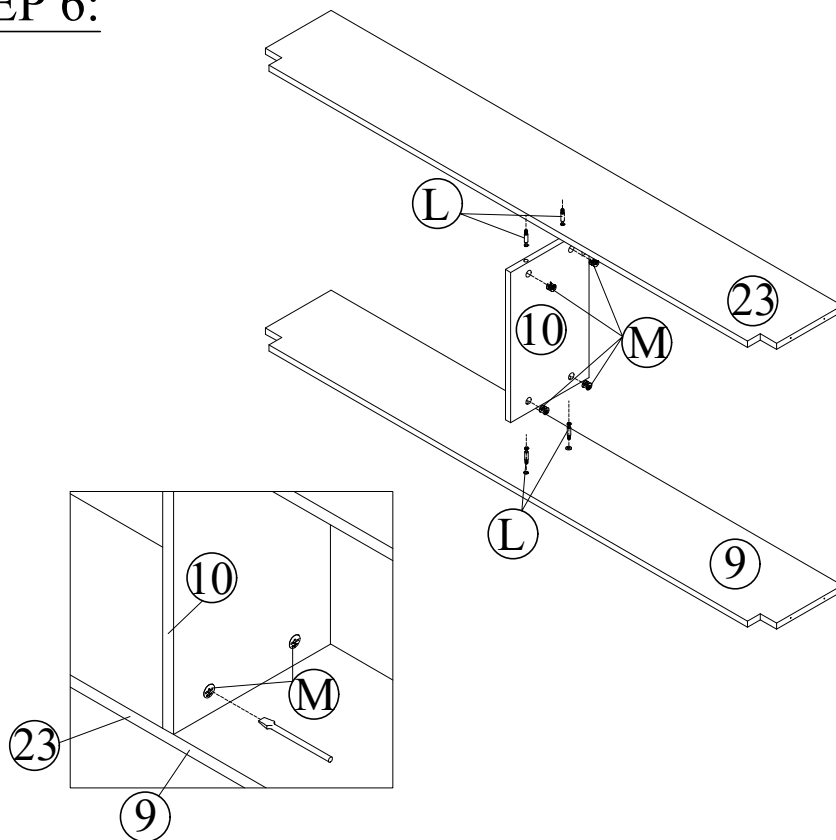
|     |  |    |
|-----|--|----|
| (B) |  | 06 |
| (Q) |  | 01 |

# STEP 5:



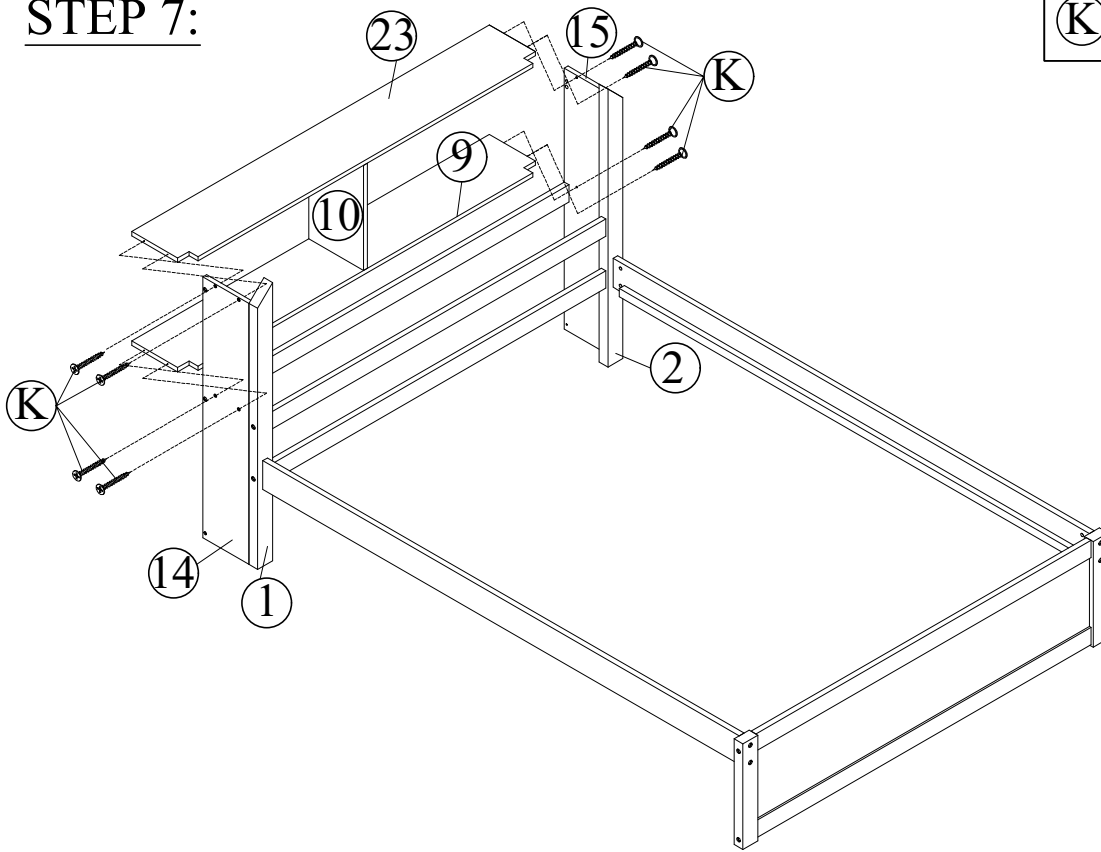
|     |  |    |
|-----|--|----|
| (A) |  | 02 |
| (C) |  | 02 |
| (F) |  | 02 |
| (Q) |  | 01 |


# STEP 6:



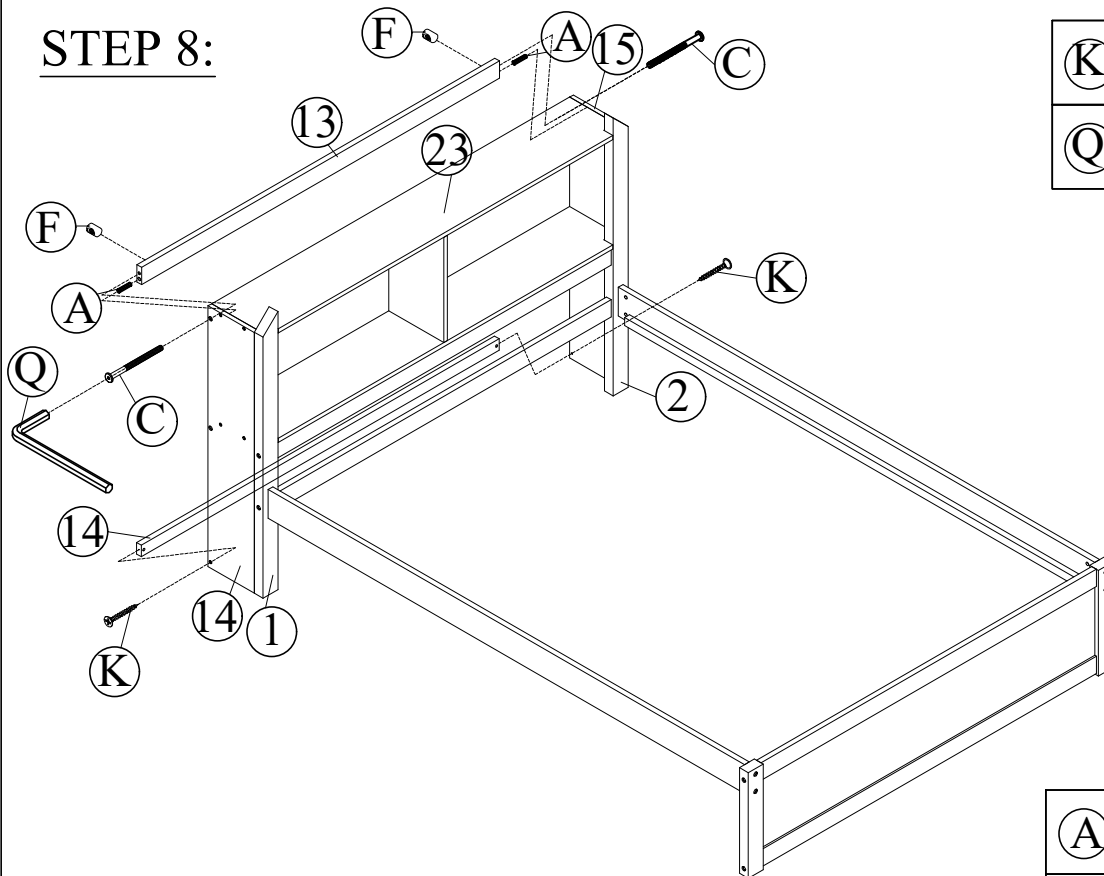
|     |  |    |
|-----|--|----|
| (L) |  | 04 |
| (M) |  | 04 |



**STEP 7:**

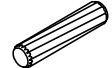




|     |  |    |
|-----|--|----|
| (K) |  | 08 |
|-----|--|----|

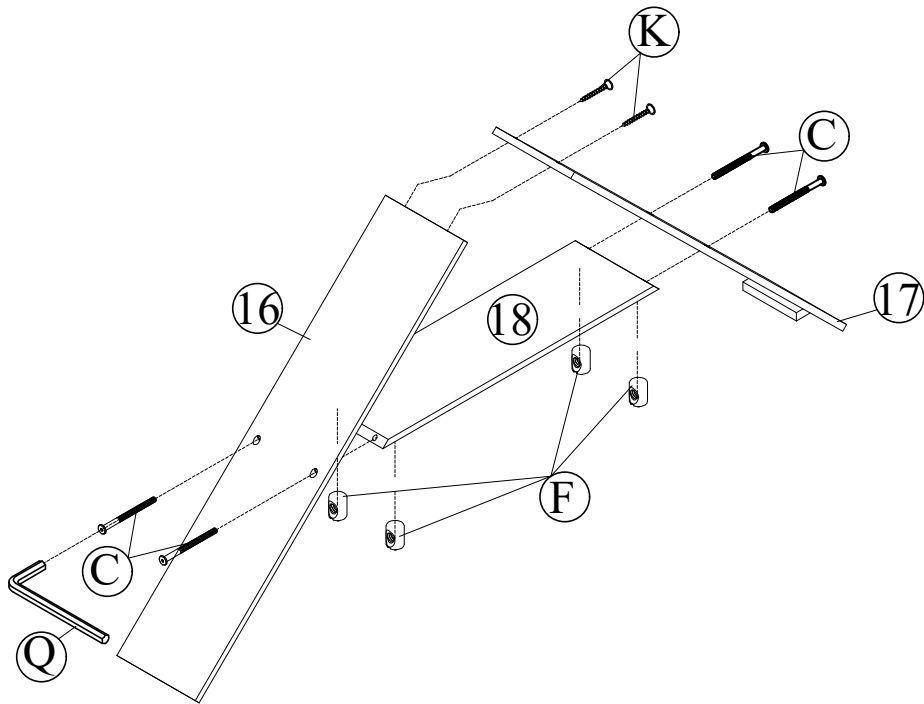
**STEP 8:**



|     |   |    |
|-----|---|----|
| (K) |  | 02 |
| (Q) |  | 01 |

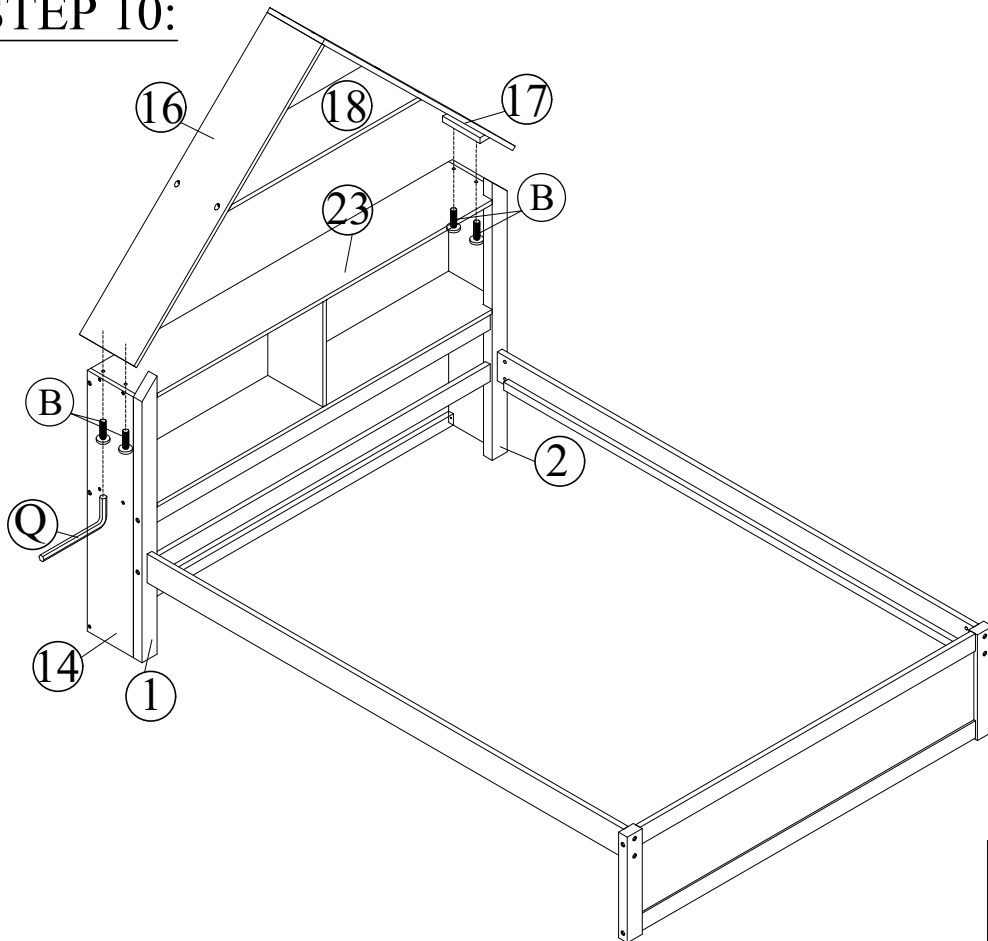
|     |   |    |
|-----|---|----|
| (A) |  | 02 |
| (C) |  | 02 |
| (F) |  | 02 |

# STEP 9:



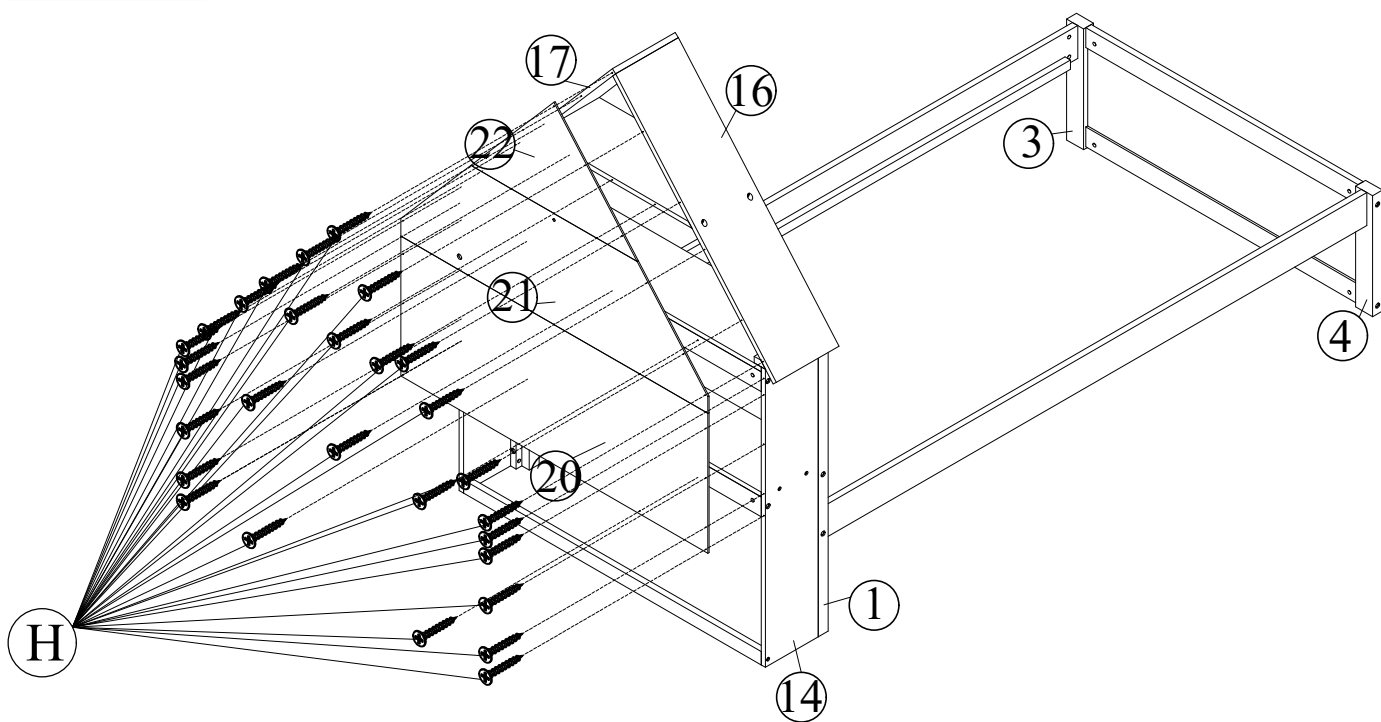
|     |  |    |
|-----|--|----|
| (C) |  | 04 |
| (F) |  | 04 |
| (K) |  | 02 |
| (Q) |  | 01 |


# STEP 10:



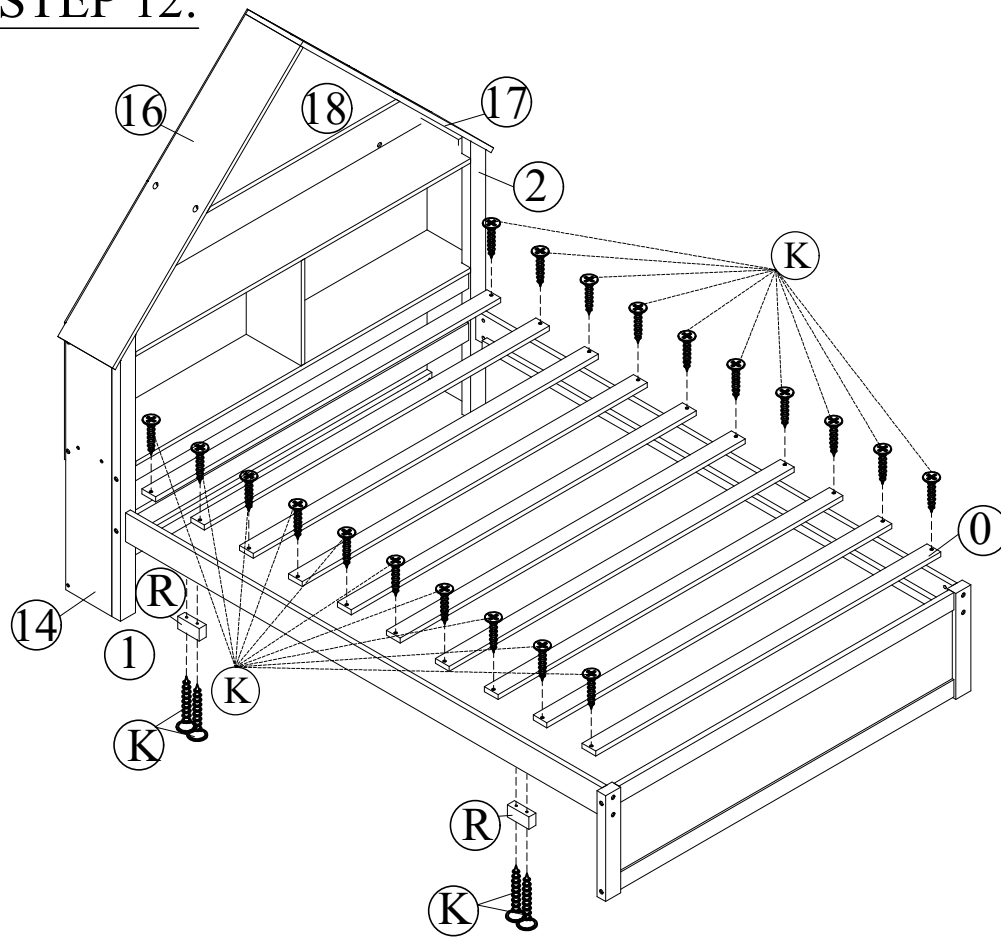
|     |  |    |
|-----|--|----|
| (B) |  | 04 |
| (Q) |  | 04 |


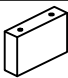
STEP 11:



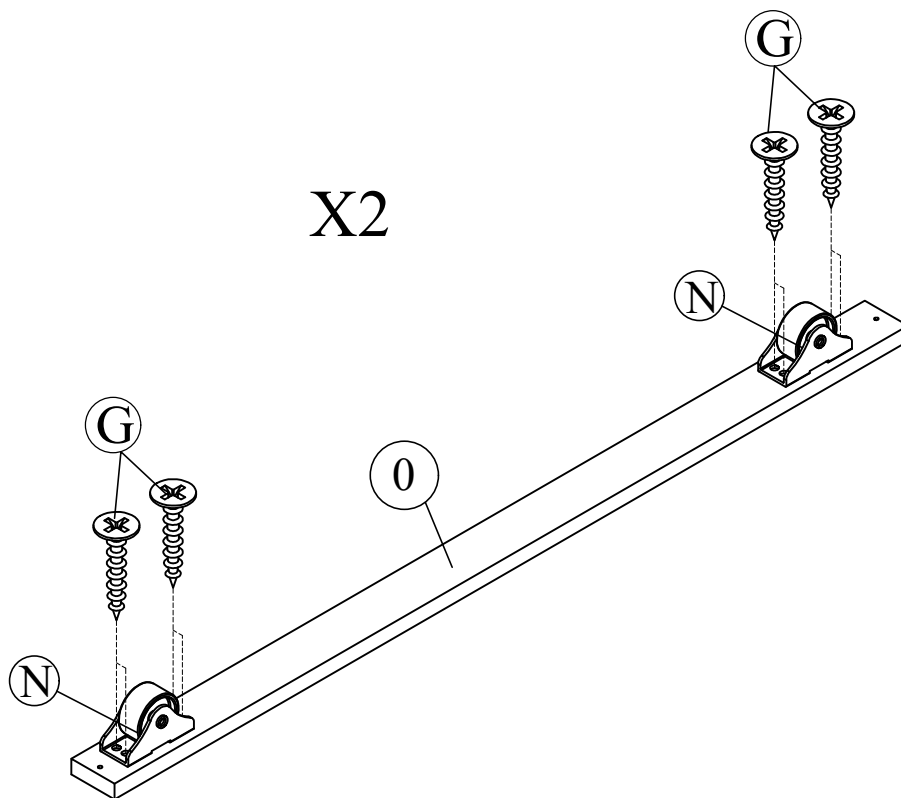
|   |   |    |
|---|---|----|
| H |  | 30 |
|---|---|----|



# STEP 12:




|     |   |    |
|-----|---|----|
| (K) |   | 24 |
| (R) |  | 02 |

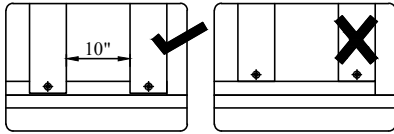
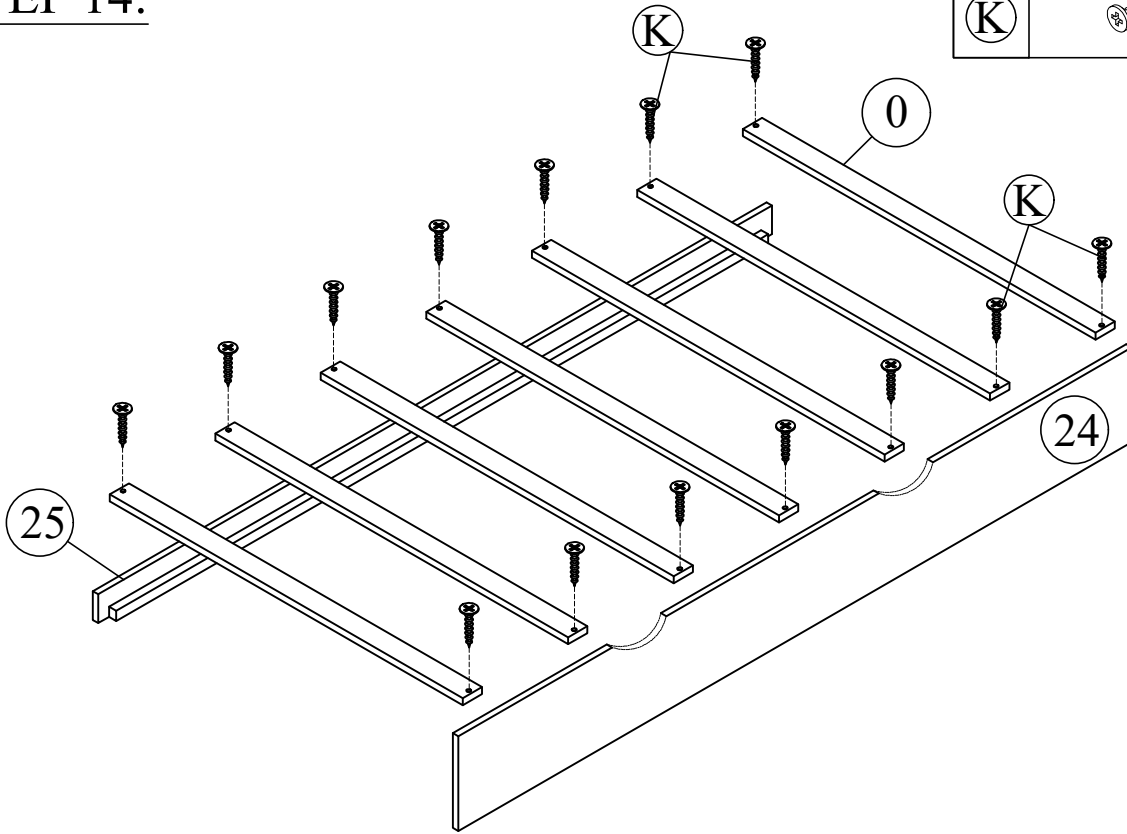
# STEP 13




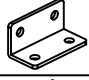
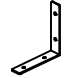
|     |   |    |
|-----|---|----|
| (G) |  | 16 |
| (N) |  | 04 |

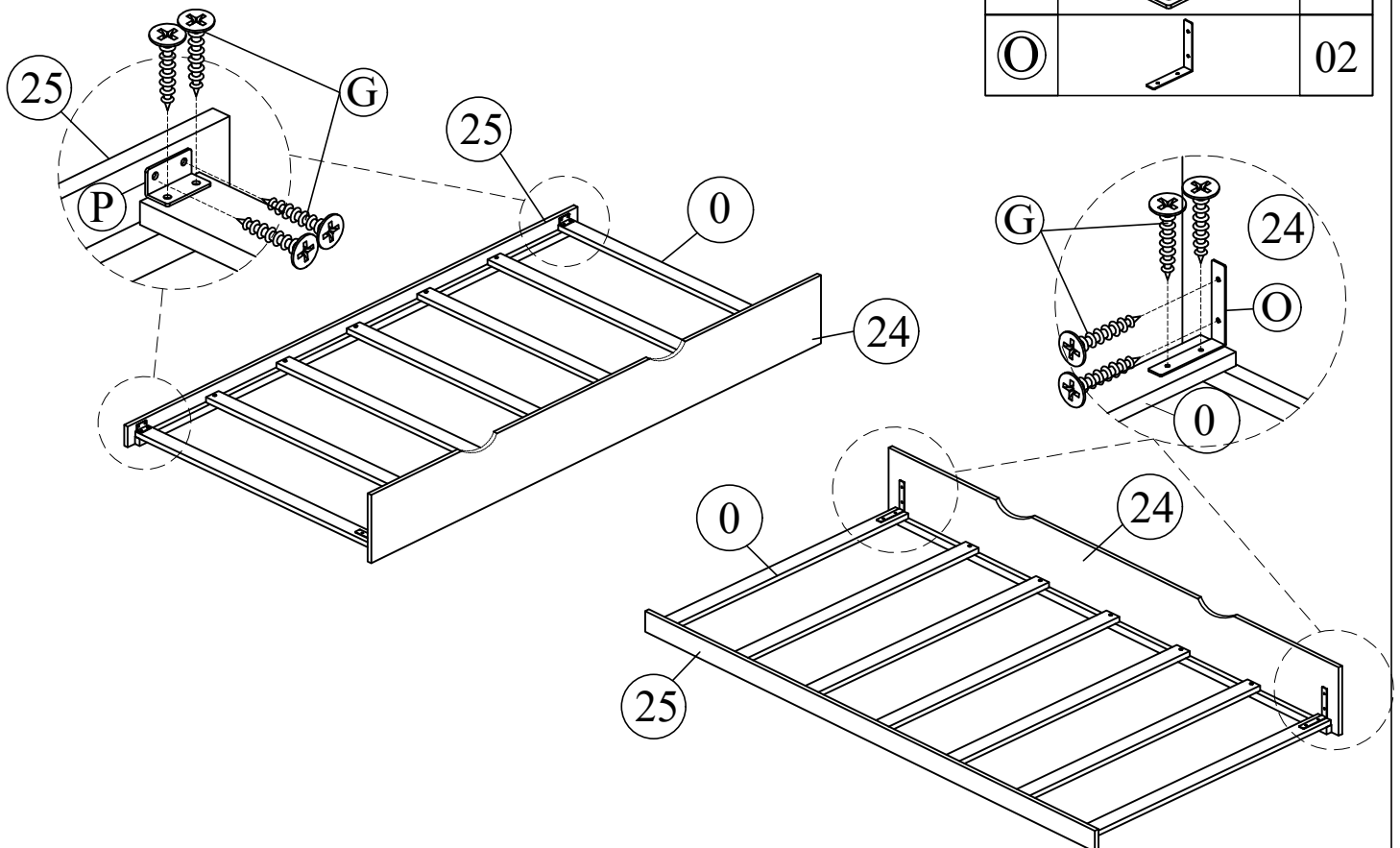
# STEP 14:

|     |  |    |
|-----|--|----|
| (K) |  | 14 |
|-----|--|----|

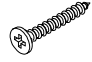



# STEP 15:

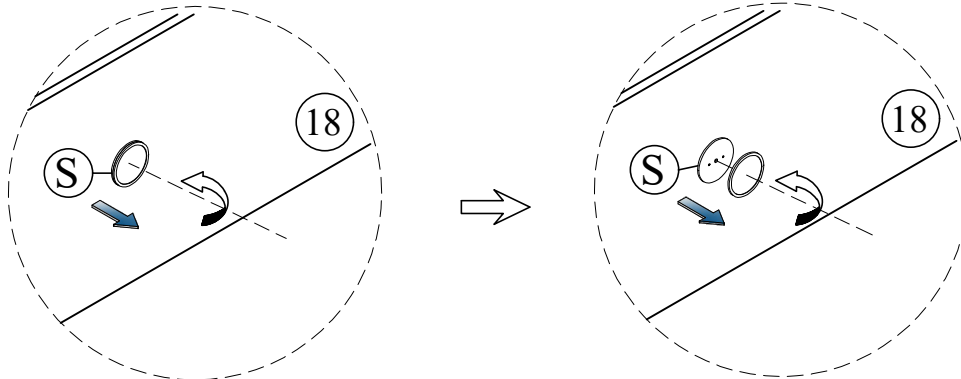
|     |   |    |
|-----|---|----|
| (G) |  | 16 |
| (P) |  | 02 |
| (O) |  | 02 |



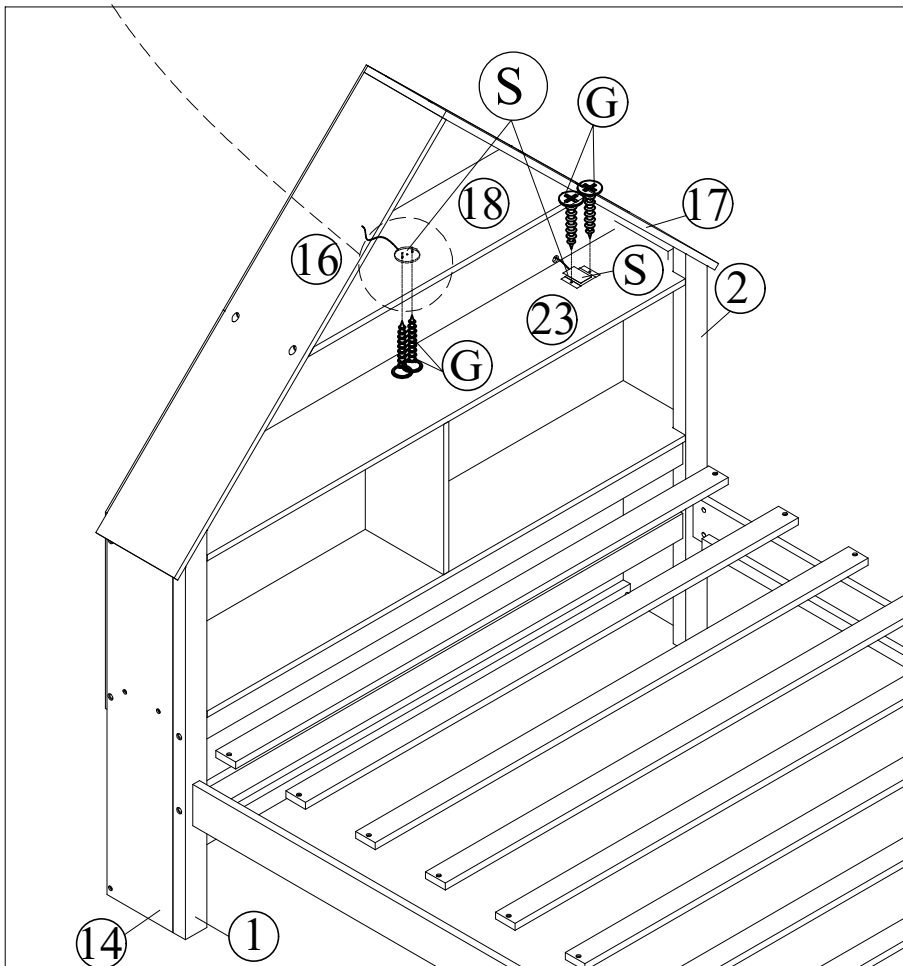
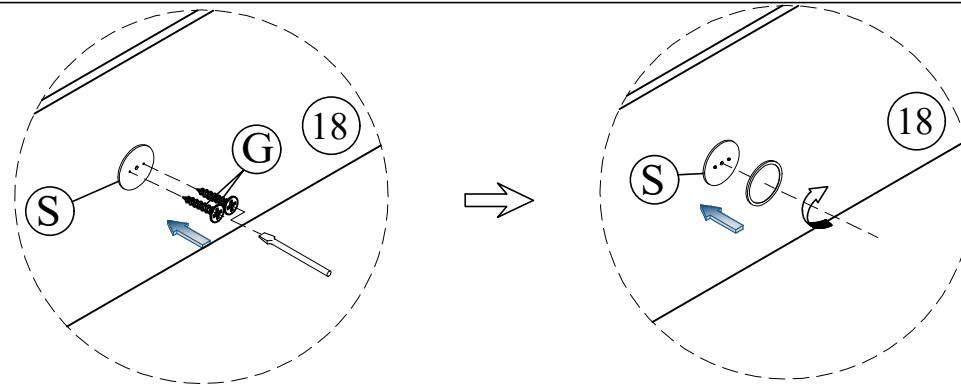
# STEP 17:

|     |   |   |
|-----|---|---|
| (G) |   | 4 |
| (S) |  | 1 |

I. Twist to open the front Led light



II. Attack screws #6\*15mm to back side and twist to close



FINAL:

