

Attention

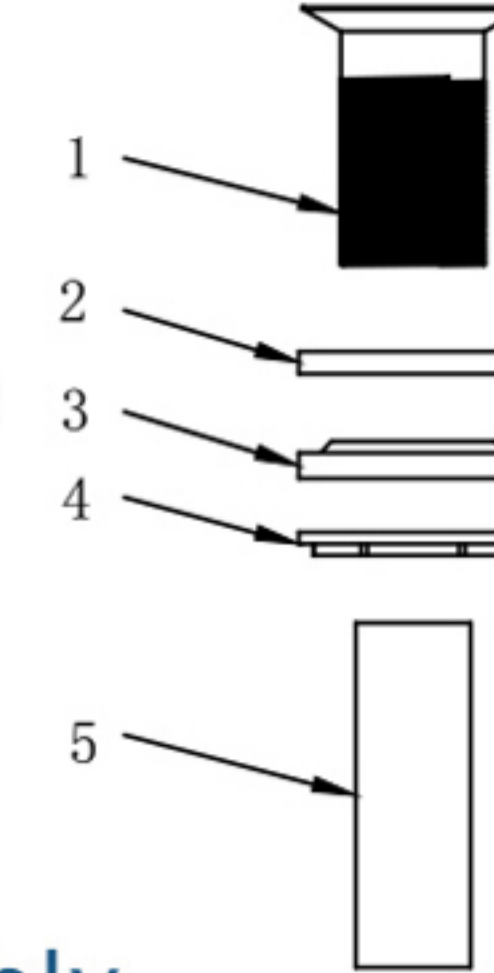
- > It's recommended to put a pipe joint putty on the upper gasket of the bottom assembly. This will ensure you get a good seal on the bottom of the sink.
- > Make sure the overflow hole of the pop up drain and the overflow of your sink is completely aligned if your sink come with overflow.
- > If there is any leakage, please re-assemble the drain according to the previous steps.

Bathroom drain installation video please search:
<https://youtu.be/my9uUSrNbSA>

Singel hole bathroom faucet installation video
please search: <https://youtu.be/VSucWLHvP5k>

Pop-up Drain Installation Instruction

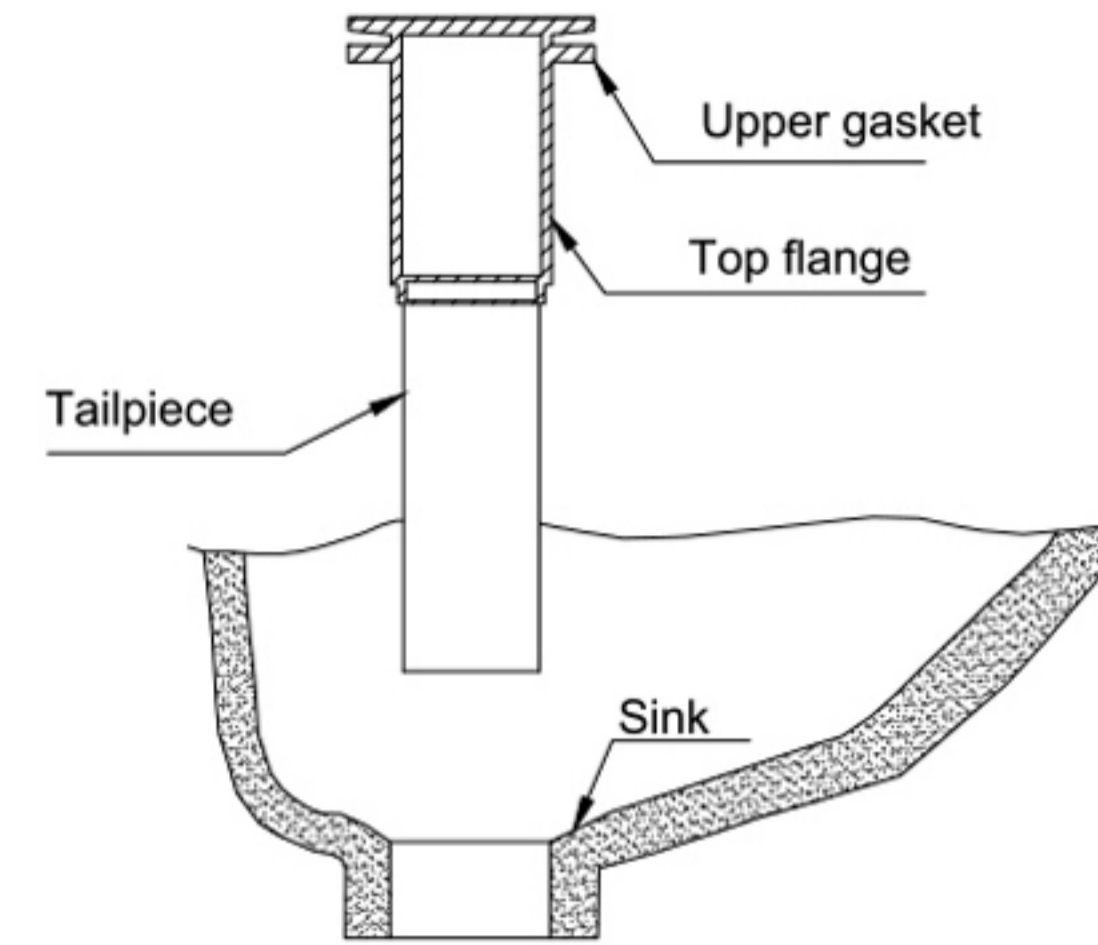
Package Contents

1. Top Flange
 2. Upper gasket
 3. Bottom gasket
 4. Lock nut
 5. Tailpipe
- 

Notes

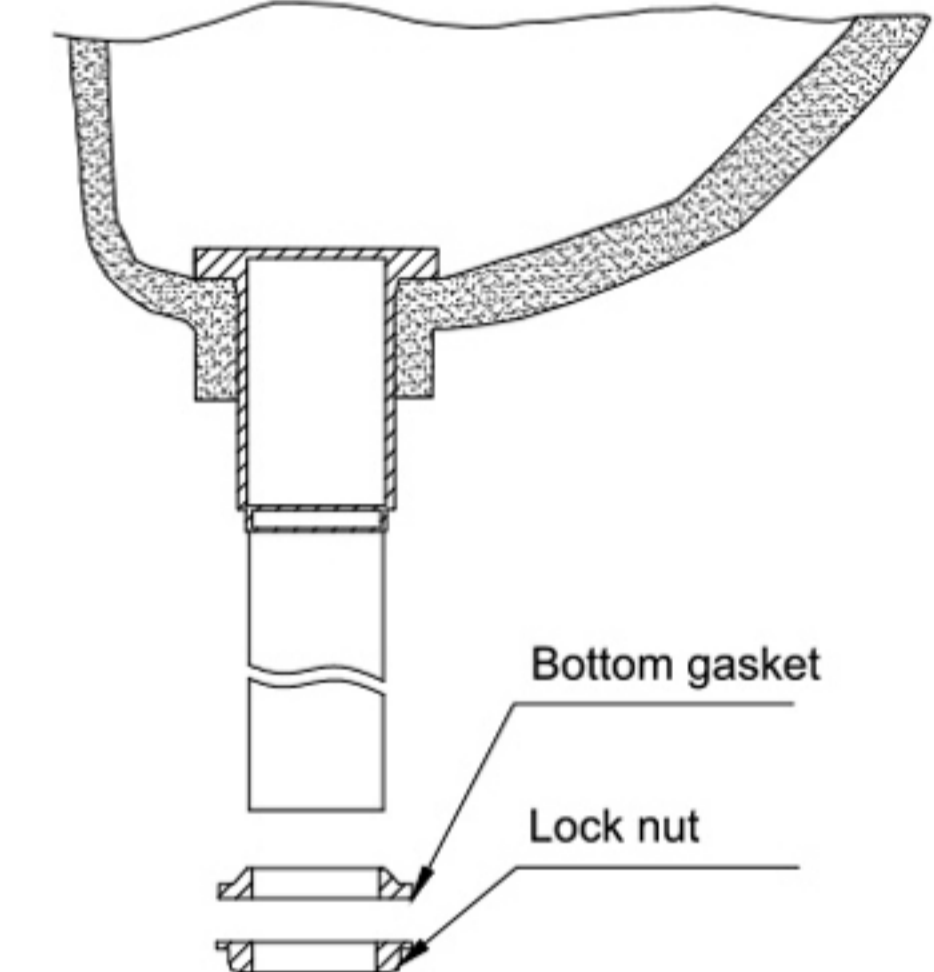
- Clean the top flange surface before installation.
- This item is not supposed to twisted any wrench.
- Do not use polishing powders to clean the drain.

Top Assembly

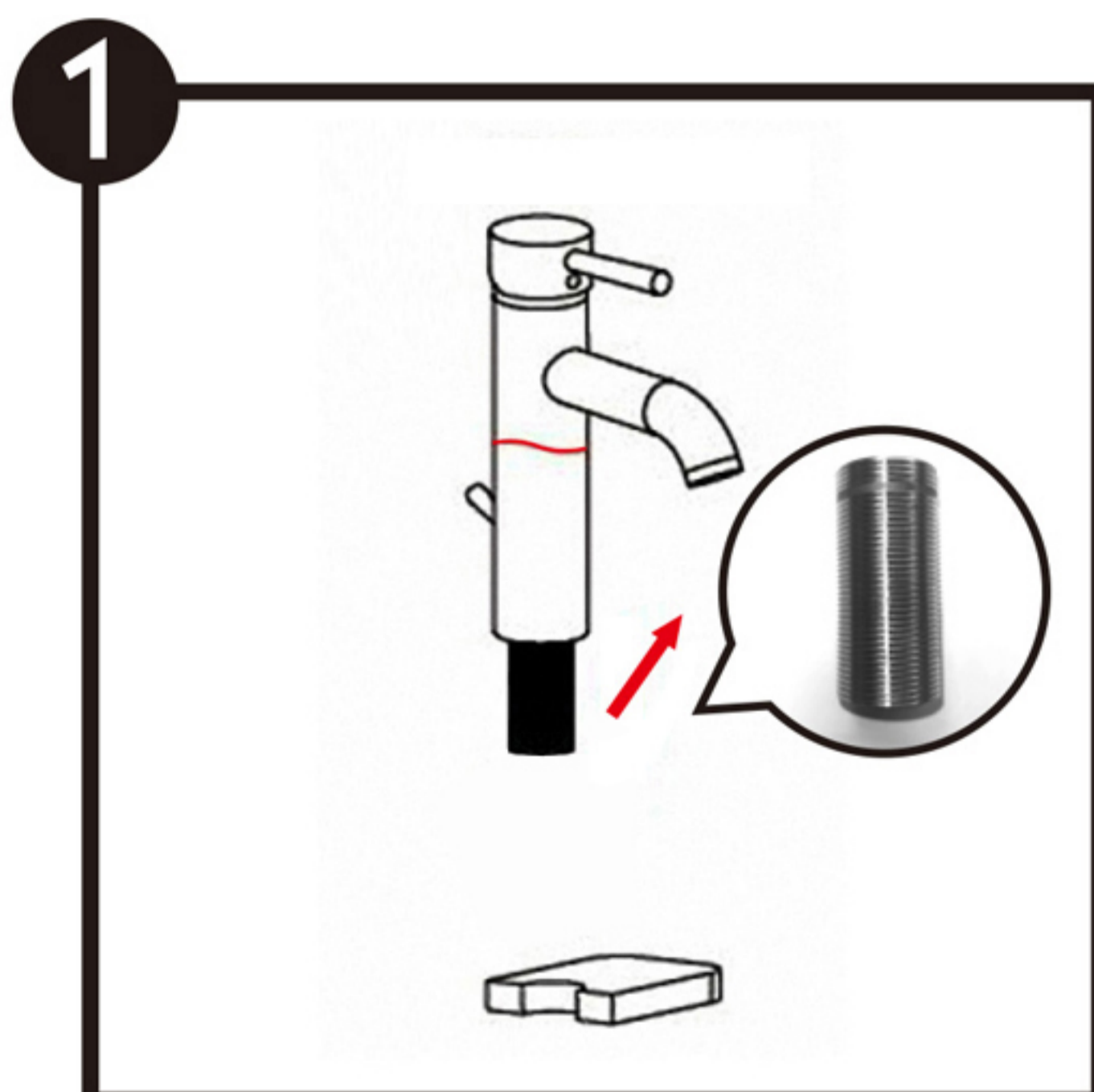


1. Align the upper gasket onto the top flange.
2. Insert the pop-up drain body up through the bottom of the sink.

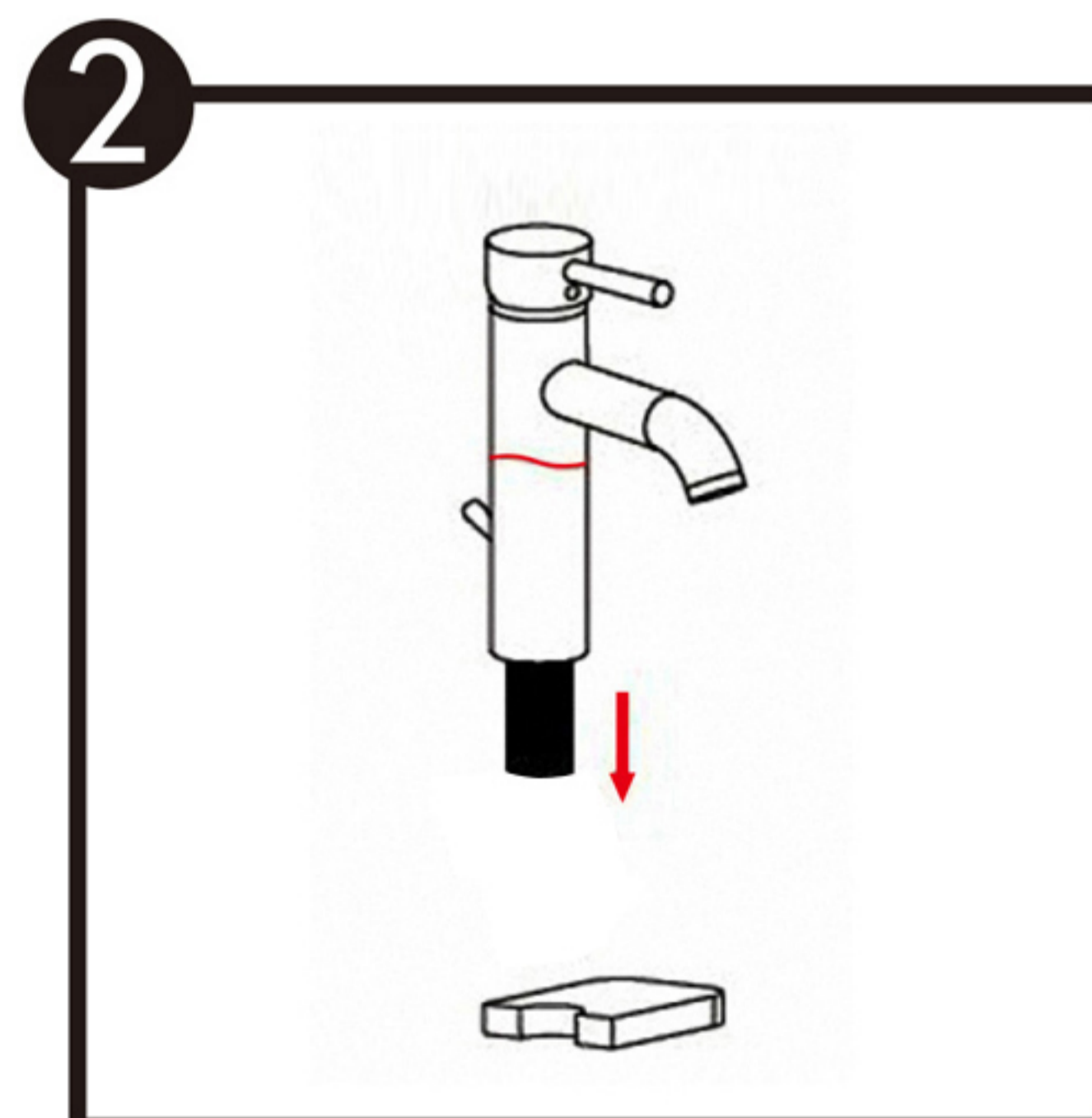
Bottom Assembly



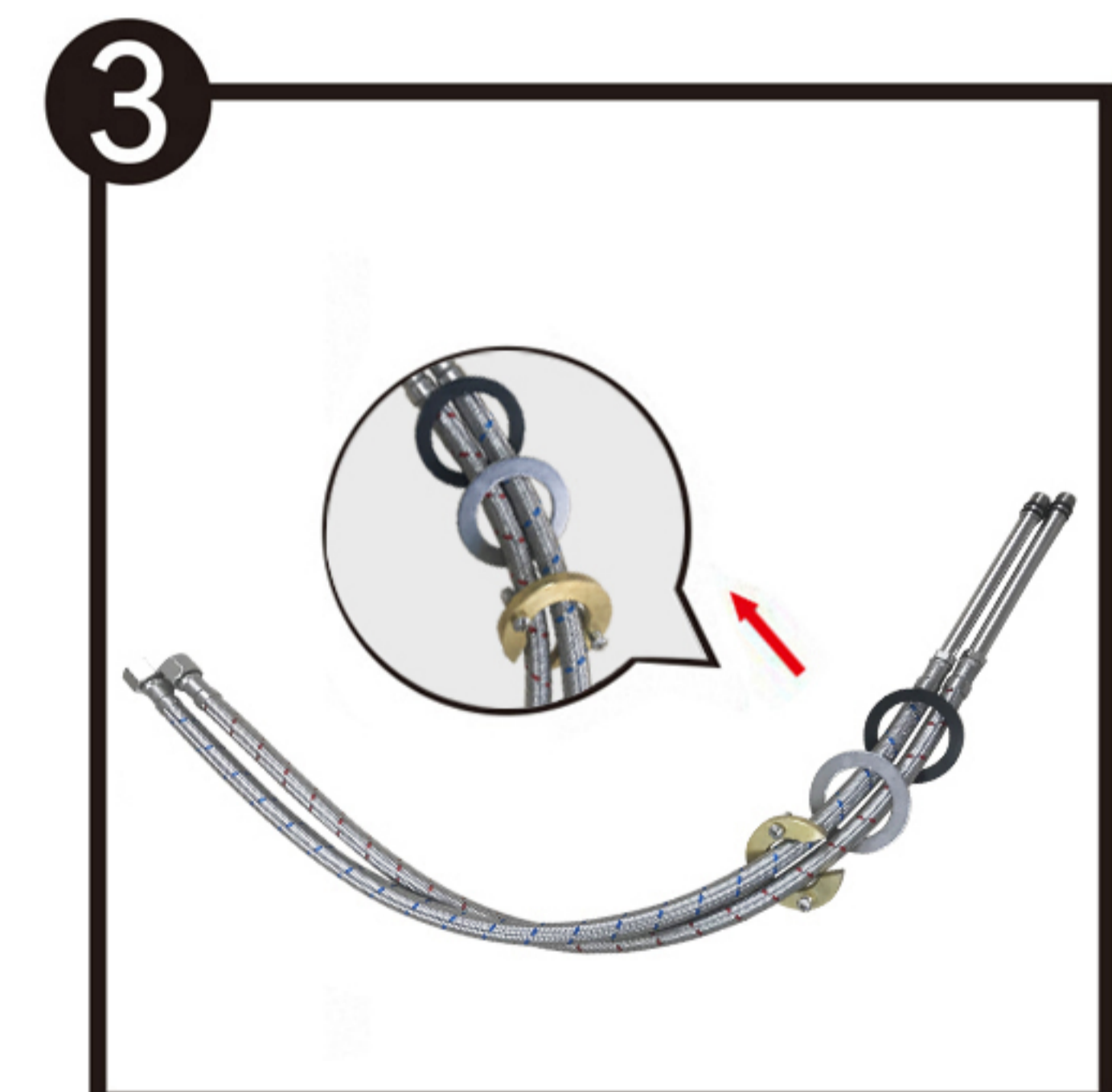
1. Align the bottom gasket as well as lock nut onto the tailpipe.
2. Place the drain body at the proper position and tighten up the lock nut.



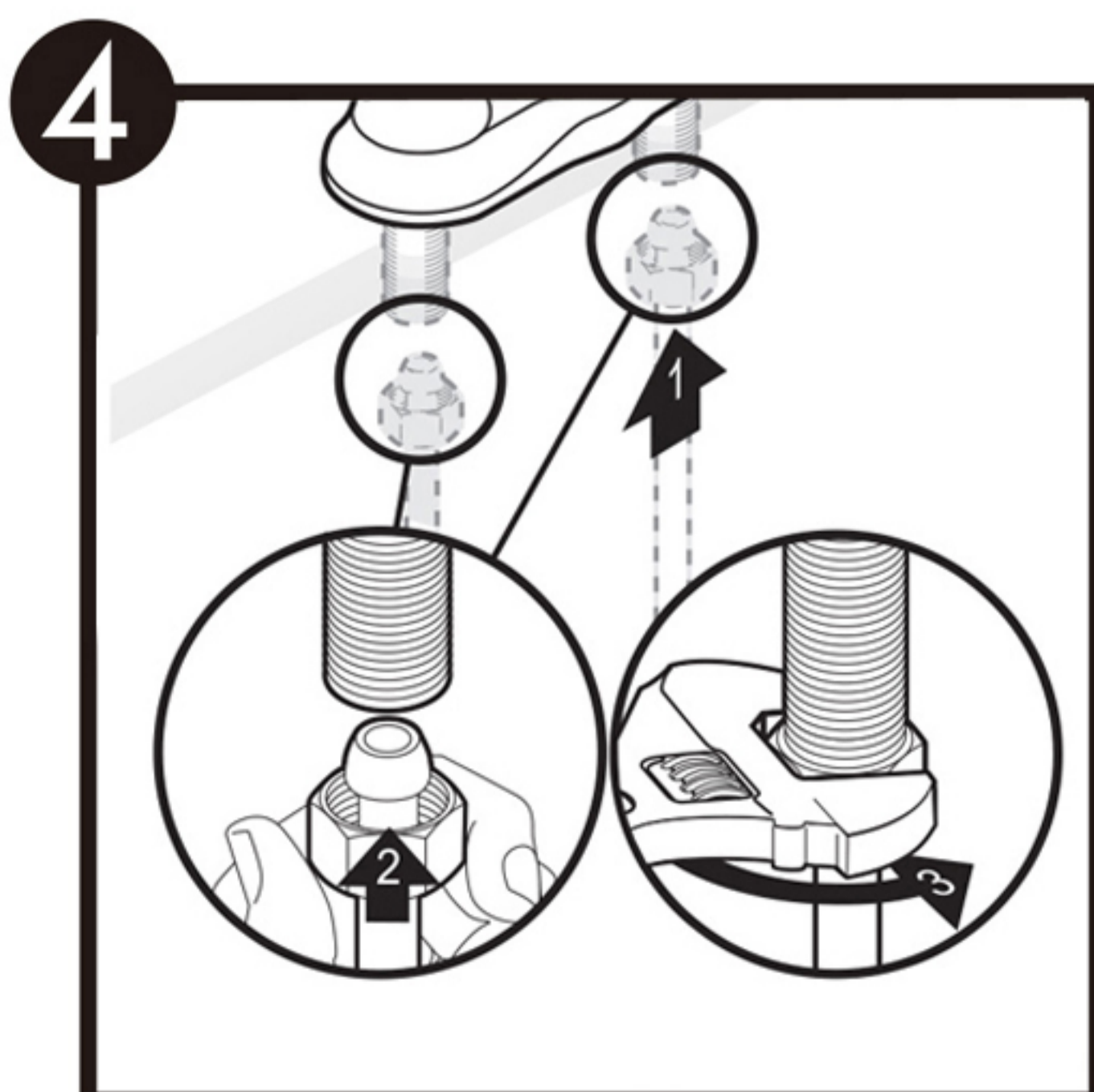
1. Screw the stainless steel tail pipe into the faucet.



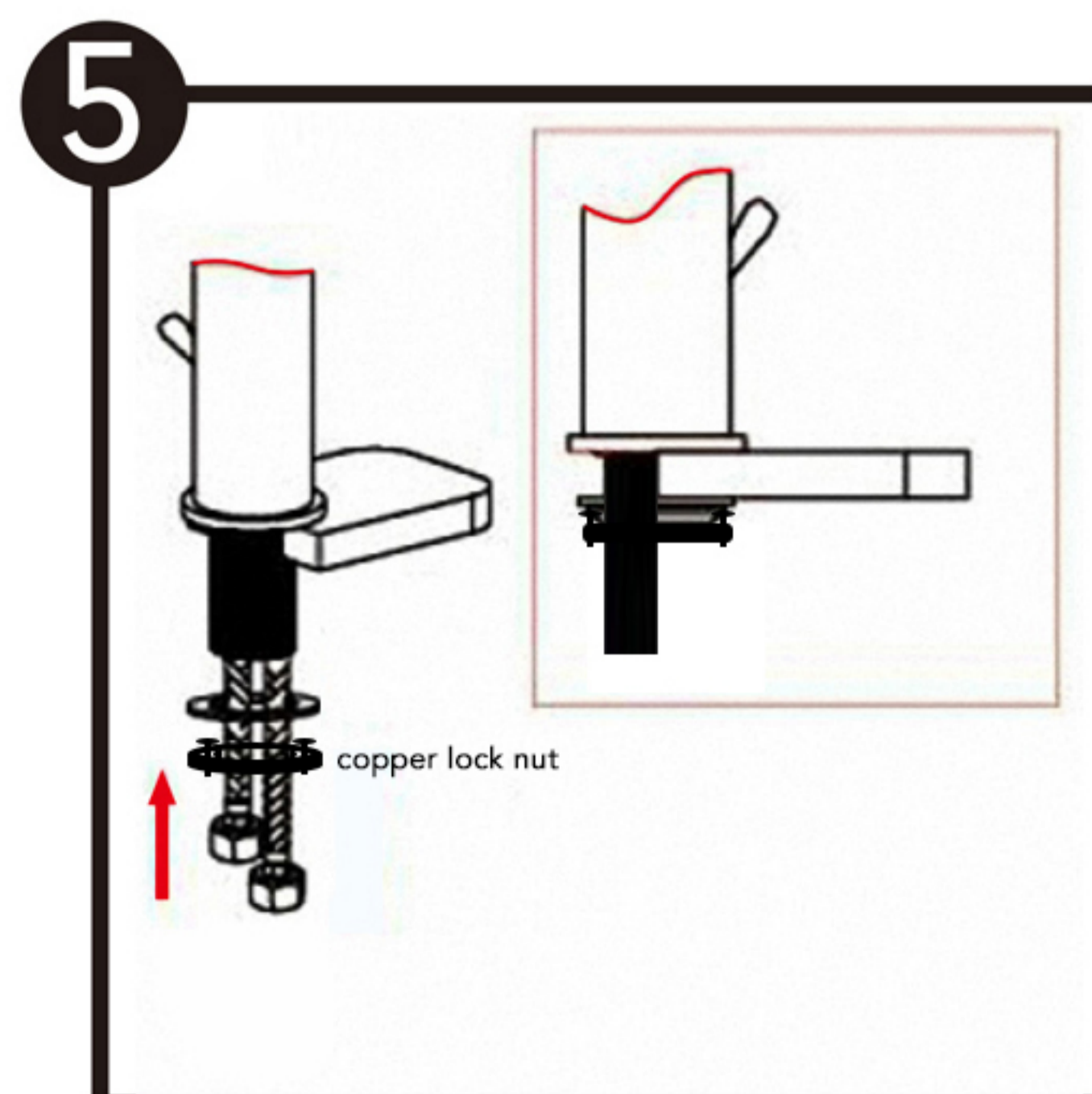
2. Put the faucet into the sink hole with deck and cushion. (deck plate and cushion are optional)



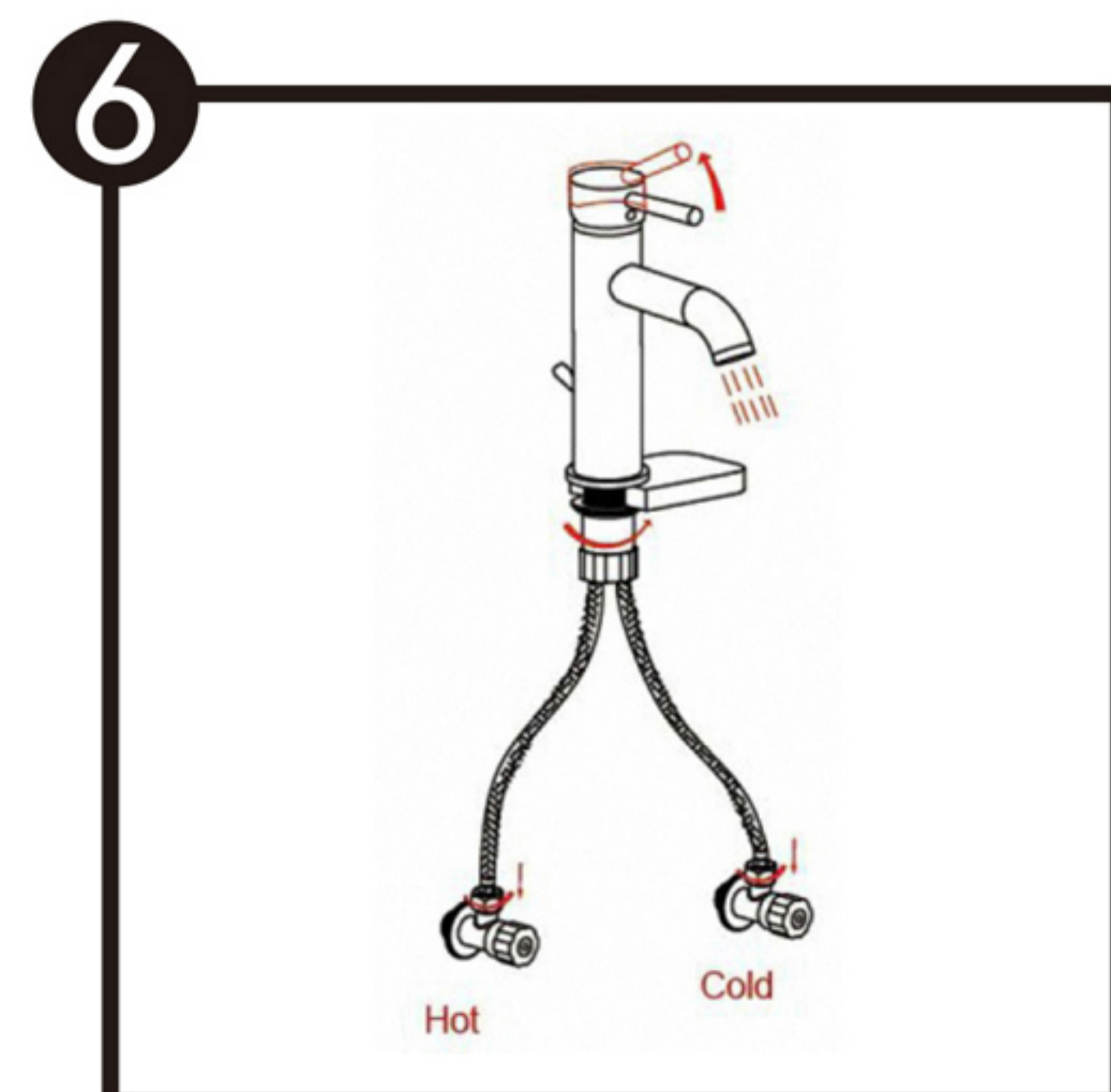
3. Put the water supply lines through copper lock nut, white plastic, o-ring and black rubber washer in order.



4. Screw the water supply lines into the faucet bottom.



5. Screw the copper lock nut stand up to the sink to lock the faucet.



6. Connect water supply lines to valve.