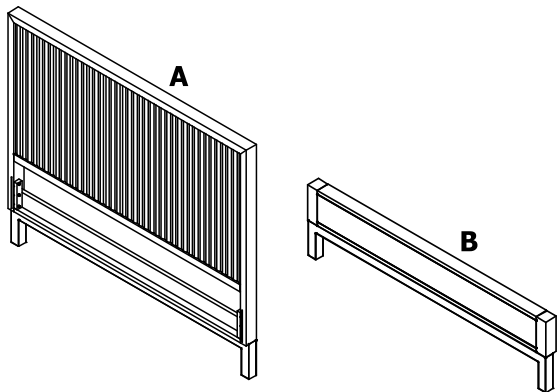


FULL/QUEEN/C. KING/E. KING BED ASSEMBLY INSTRUCTIONS

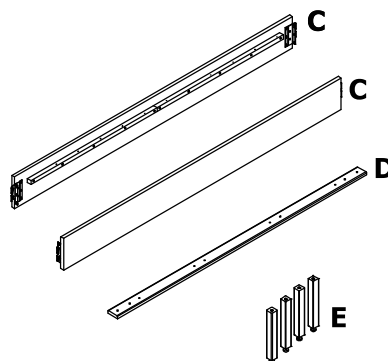
BOX #1

- A. HEADBOARD 1 PC
- B. FOOTBOARD 1 PC



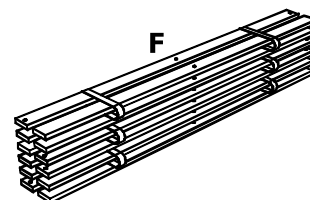
BOX #2

- C. SIDE RAIL 2 PCS
- D. CENTER SLAT 1 PC
- E. SUPPORT LEG 4 PCS
- HARDWARE SET*

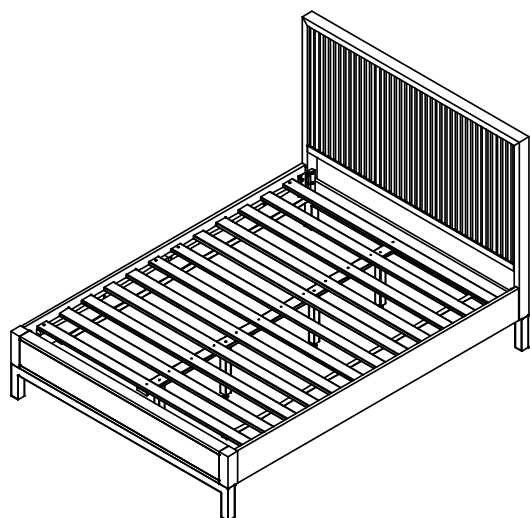


BOX #3

- F. SLAT ROLL 1 SET



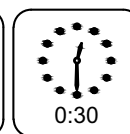
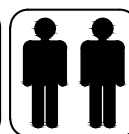
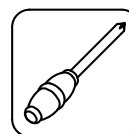
BED ASSEMBLED



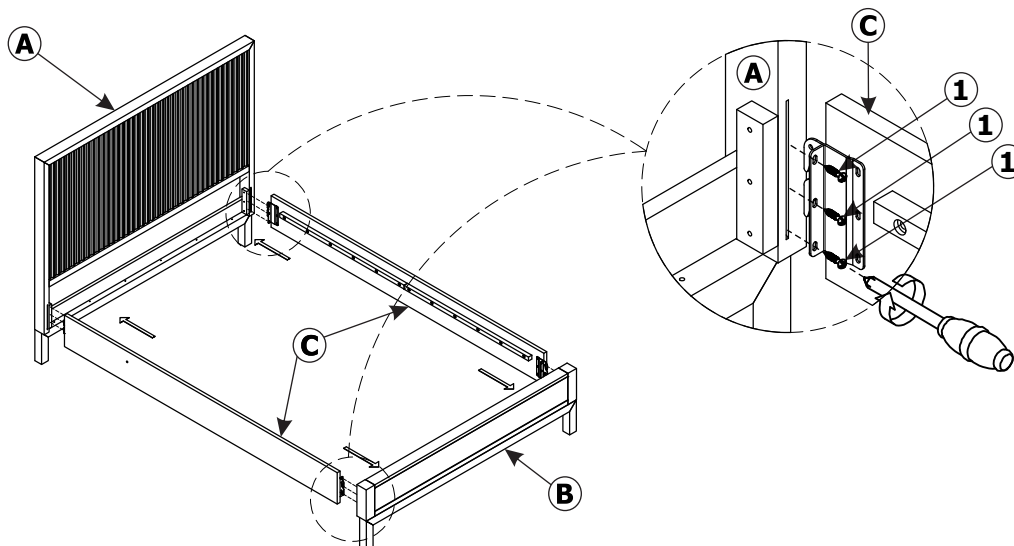
*HARDWARE SET PACKED IN BOX #2

1	PAN HEAD SCREW (6x15mm)	12 PCS	2	WOOD SCREW (8x30mm)	8 PCS	3	ALLEN BOLT (6x40mm)	10 PCS
4	ALLEN KEY	1 PC						

TOOL REQUIRED: PHILLIPS HEAD
SCREWDRIVER (NOT PROVIDED)



STEP 1 :

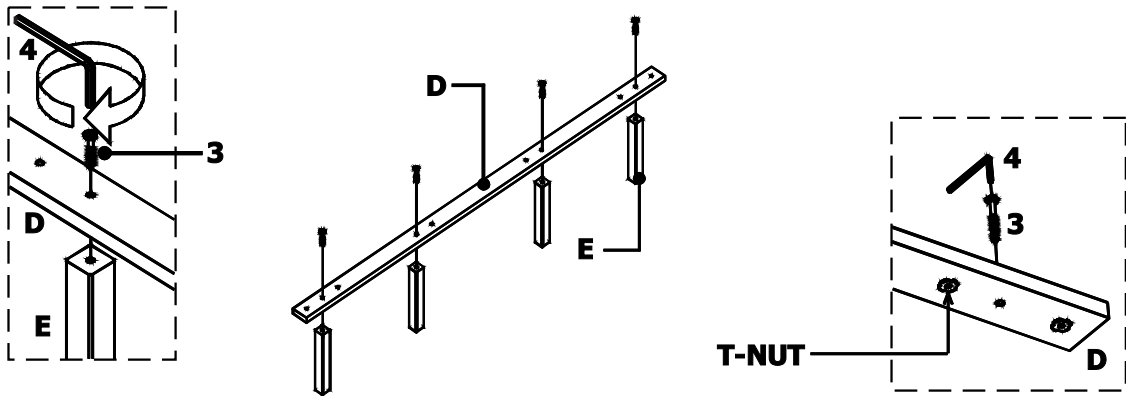




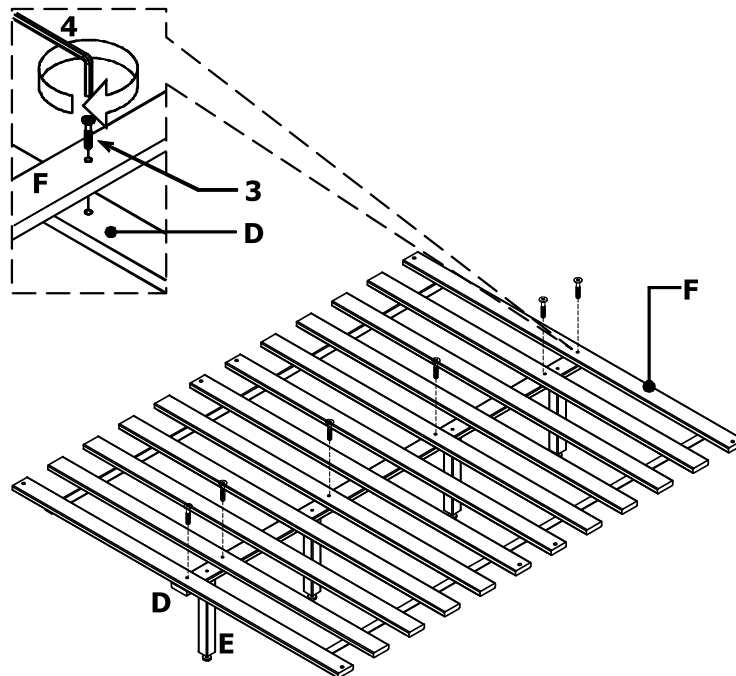
STOP

- IF USING BED FRAME WITH ADJUSTABLE MATTRESS BASE, SKIP TO APPENDIX A: ADJUSTABLE MATTRESS BASE ASSEMBLY SUPPLEMENT.
- IF USING BED FRAME WITH STANDARD BOX SPRING OR FOUNDATION CONTINUE TO STEP 2.

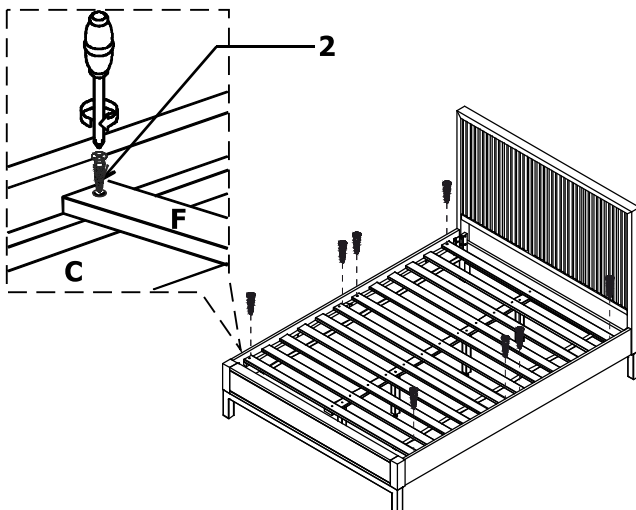
STEP 2 :



STEP 3 :



STEP 4 :

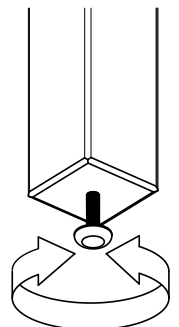


INSTRUCTIONS FOR ADJUSTING LEVELERS:

POSITION THE BED IN YOUR ROOM. LOCATE LEVELERS UNDER EACH SUPPORT LEG (E).

TURN LEVELERS COUNTER-CLOCKWISE TO EXTEND, CLOCKWISE TO RETRACT.

ADJUST LEVELERS UNTIL EACH LEG IS APPLYING EQUAL UPWARD PRESSURE ON THE CENTER SLAT.



MAINTENANCE INSTRUCTIONS:

- REMOVE BOX SPRING AND MATTRESS BEFORE MOVING YOUR BED.
- LIFT YOUR BED WHEN MOVING IT. DRAGGING CAN DAMAGE CENTER SUPPORT LEGS.
- READJUST LEVELERS AFTER MOVING YOUR BED.

FULL/QUEEN/C. KING/E. KING BED

ADJUSTABLE MATTRESS BASE ASSEMBLY SUPPLEMENT

AN ADJUSTABLE MATTRESS BASE IS A FREESTANDING MATTRESS SUPPORT THAT SITS WITHIN THE PERIMETER OF THE BED FRAME.

IF USING THIS BED FRAME WITH A STANDARD BOX SPRING OR FOUNDATION THESE INSTRUCTIONS DO NOT APPLY.

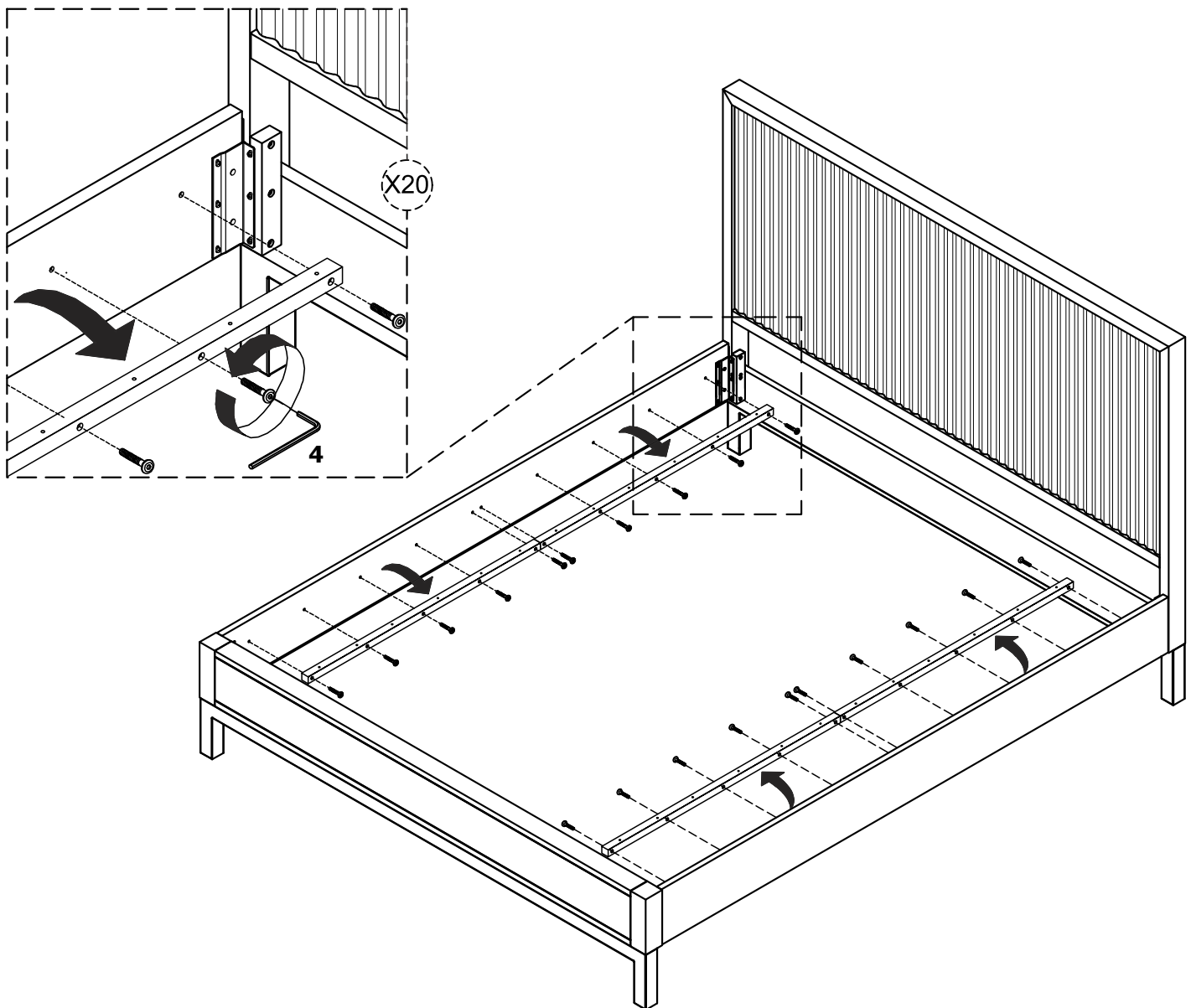
PRE-ASSEMBLED SIDE RAIL CLEATS OBSTRUCT ADJUSTABLE BASE INSTALLATION AND OPERATION. FOLLOW THESE INSTRUCTIONS TO REMOVE THEM.

THE FOLLOWING PARTS ARE NOT REQUIRED FOR ADJUSTABLE MATTRESS BASE INSTALLATION:

D. CENTER SLAT	1 PC	2. WOOD SCREW (8x30mm)	8 PCS
E. SUPPORT LEG	4 PCS	3. ALLEN BOLT (6x40mm)	10 PCS
F. SLAT ROLL	1 SET		

STEP 1 :

USE ALLEN KEY (4) TO UNSCREW ALLEN BOLTS AND REMOVE PRE-ASSEMBLED SIDE RAIL CLEATS.



NOTE: YOU MAY WISH TO RETAIN UNUSED PARTS IF IN THE FUTURE YOU INTEND TO USE THE BED FRAME WITH A STANDARD BOX SPRING OR FOUNDATION.