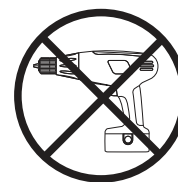


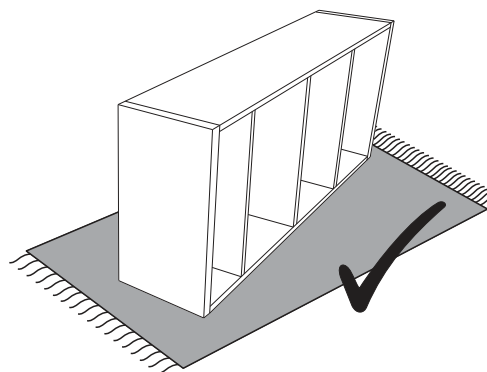
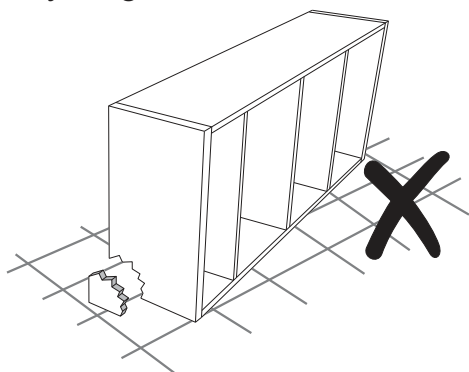
General Assembly Guidelines

- Please take the time to carefully read through these instructions before you commence.
- Keep these instructions for future reference.
- We advise that the product is assembled in the room it is intended for.
- We advise that you keep the hardware in a bowl during assembly to avoid losing anything.
- We strongly recommend that you keep children away from the work area.
- Small component parts could choke a child if swallowed.
- This product is heavy, and we recommend a 2 person lift to avoid personal injury or damage to the product.
- Never push or pull the product as this could cause both personal injury or irreparable damage to product or floor.
- We have tried to make this piece of furniture easy to assemble if the instructions are followed carefully.
- In the unlikely event that you have problems with assembling the product or have missing or damaged parts, please contact your retailer and we will assist them in rectifying the problem as quickly as possible.

- Please remember we strongly urge you DO NOT use power tools such as drill or electric screwdrivers as this could cause irreparable damage to your product and will invalidate your warranty.

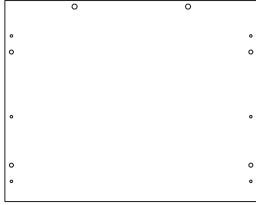


- We recommend you use a sheet or blanket to protect both floor and product through the assembly stages.

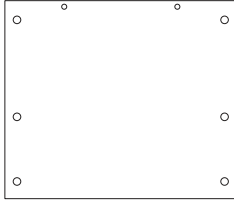


Maintenance Guide

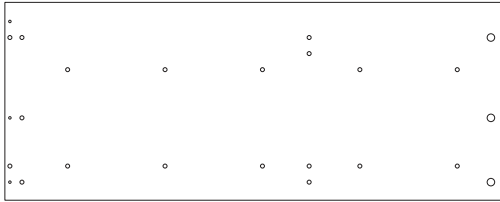
- We advise that when cleaning the product that a damp cloth is used.
- Avoid the use of all household cleaners and abrasive.
- Never push or drag the furniture.
- Never attempt to move the furniture when fully loaded.
- We advise that periodically all fixing are re-tightened.



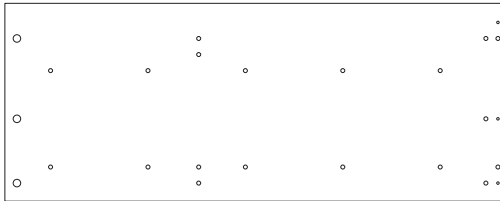
1 500 x 398mm
19.68" x 15.66"



2 459 x 392mm
18.07" x 15.43"



3 992 x 394mm
39.05" x 15.51"



4 992 x 394mm
39.05" x 15.51"



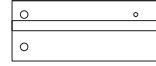
5 973 x 457mm
38.30" x 17.99"



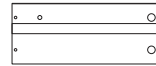
6 973 x 457mm
38.30" x 17.99"



7 454 x 190mm
17.87" x 7.48" (5x)



8 300 x 120mm
11.81" x 4.72" (5x)



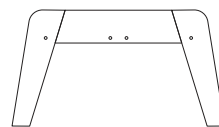
9 300 x 120mm
11.81" x 4.72" (5x)



10 391 x 120mm
15.39" x 4.72" (5x)



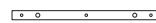
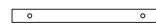
11 403 x 298mm
15.86" x 11.73" (5x)




12 420 x 230mm
16.53" x 9.05" (2x)





13 459 x 45mm
18.07" x 1.77" (2x)




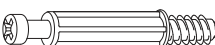
14 294 x 26mm
11.57" x 1.02" (10x)


A x 22  $\varnothing 8 \times 20 \text{mm} / \varnothing 8 \times 1.18''$

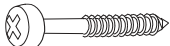
E x 1 


H x 2 


B x 40  $\varnothing 8 \times 30 \text{mm} / \varnothing 8 \times 1.18''$

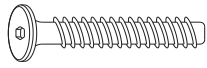
F x 32 

I x 1 

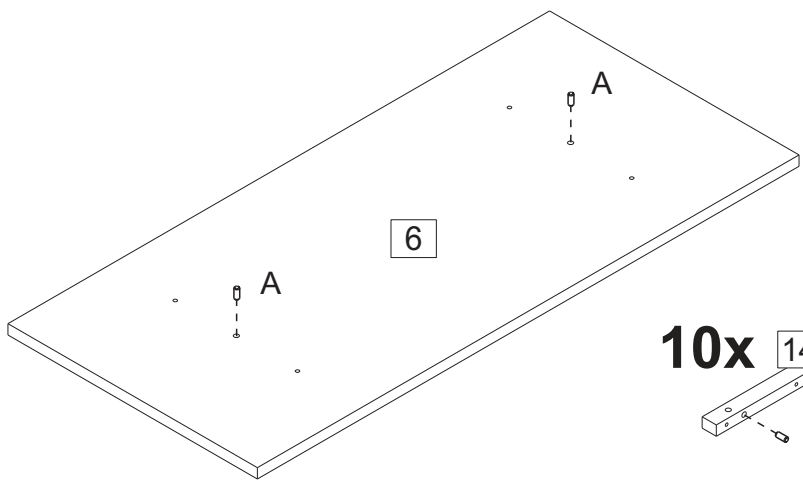
C x 60  $\varnothing 4 \times 30 \text{mm} / \varnothing 4 \times 1.38''$

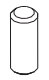
G x 32 

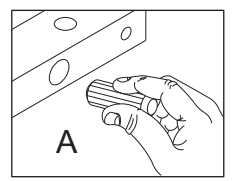
J x 1 

D x 6  $\varnothing 7.0 \times 35 \text{mm} / \varnothing 3.5 \times 0.55''$

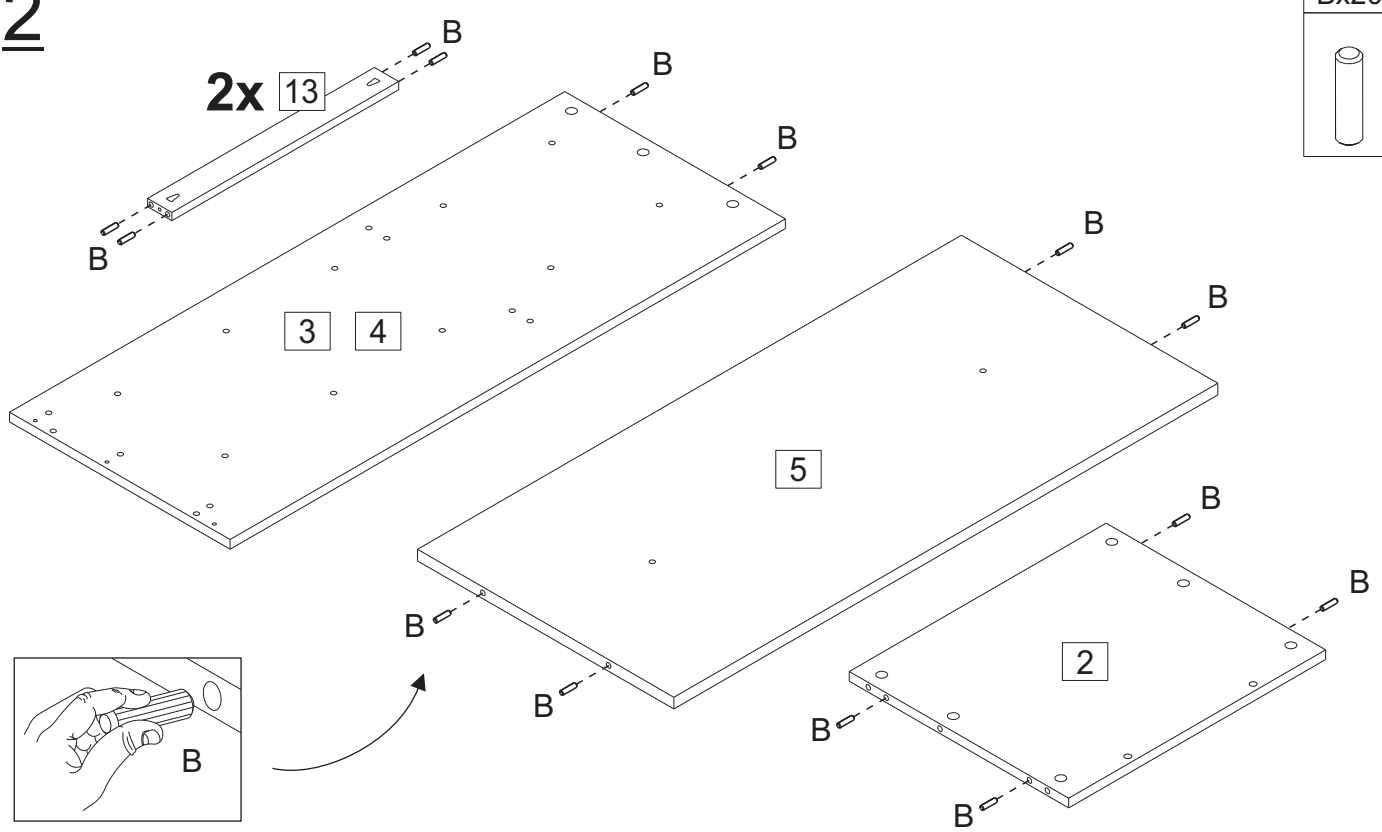
1




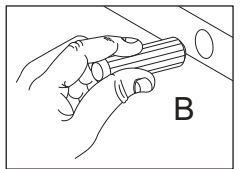
A x 22 



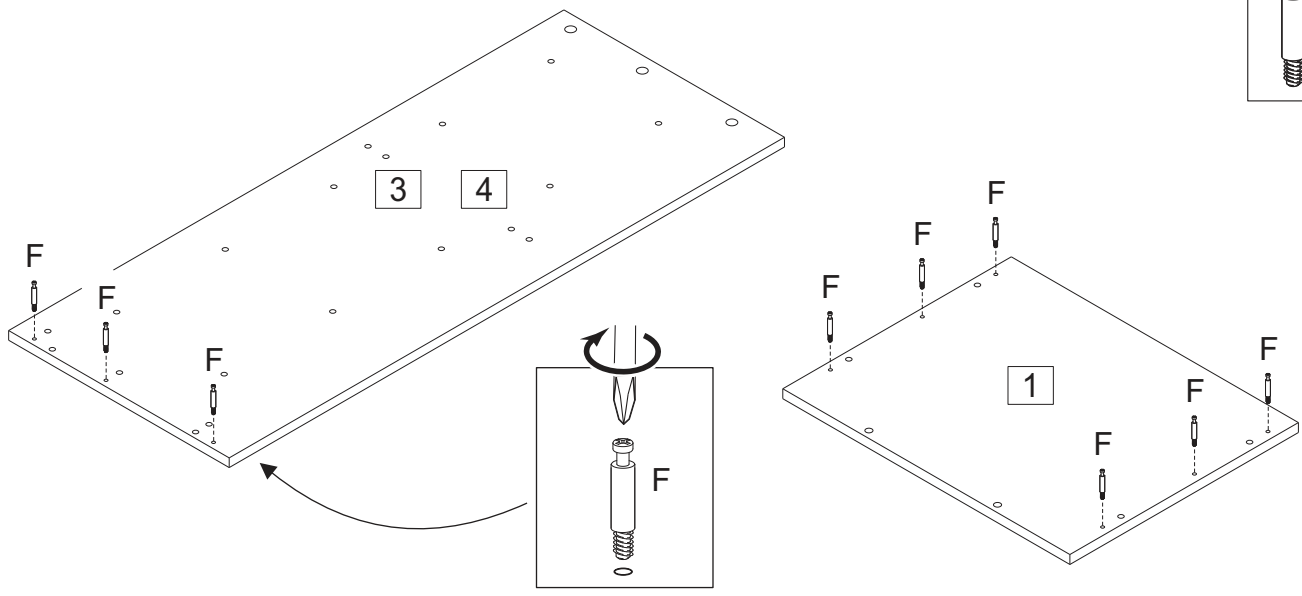
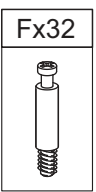
2



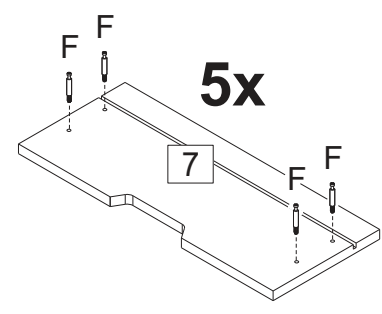
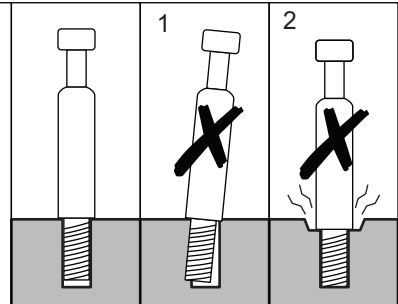
B x 20 



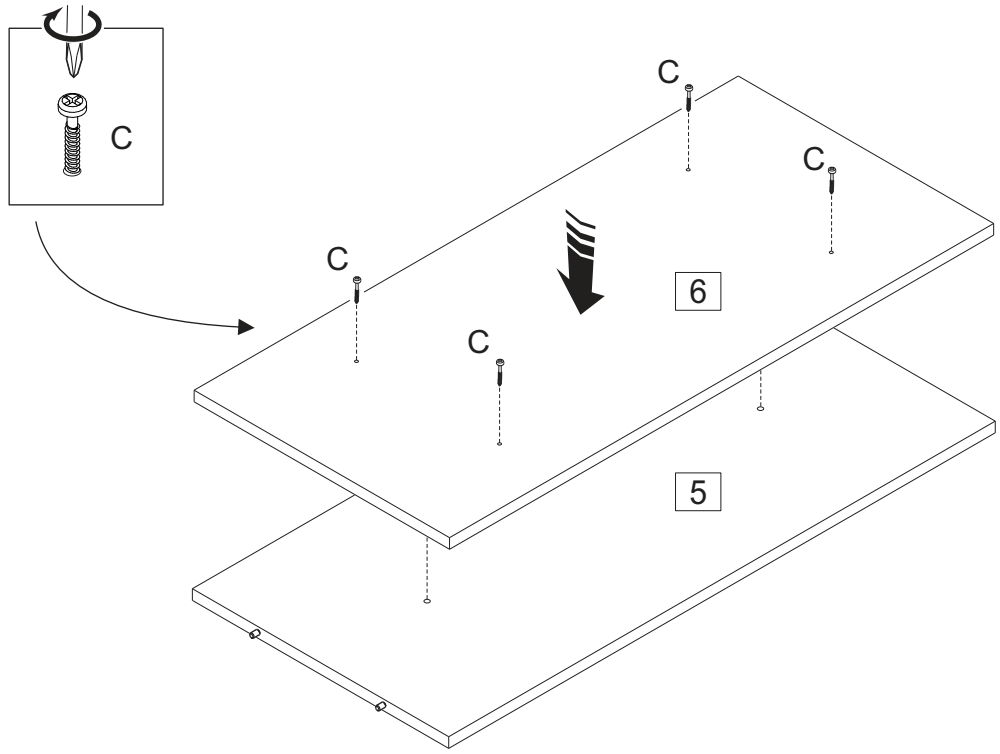
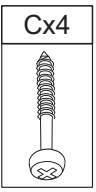
3



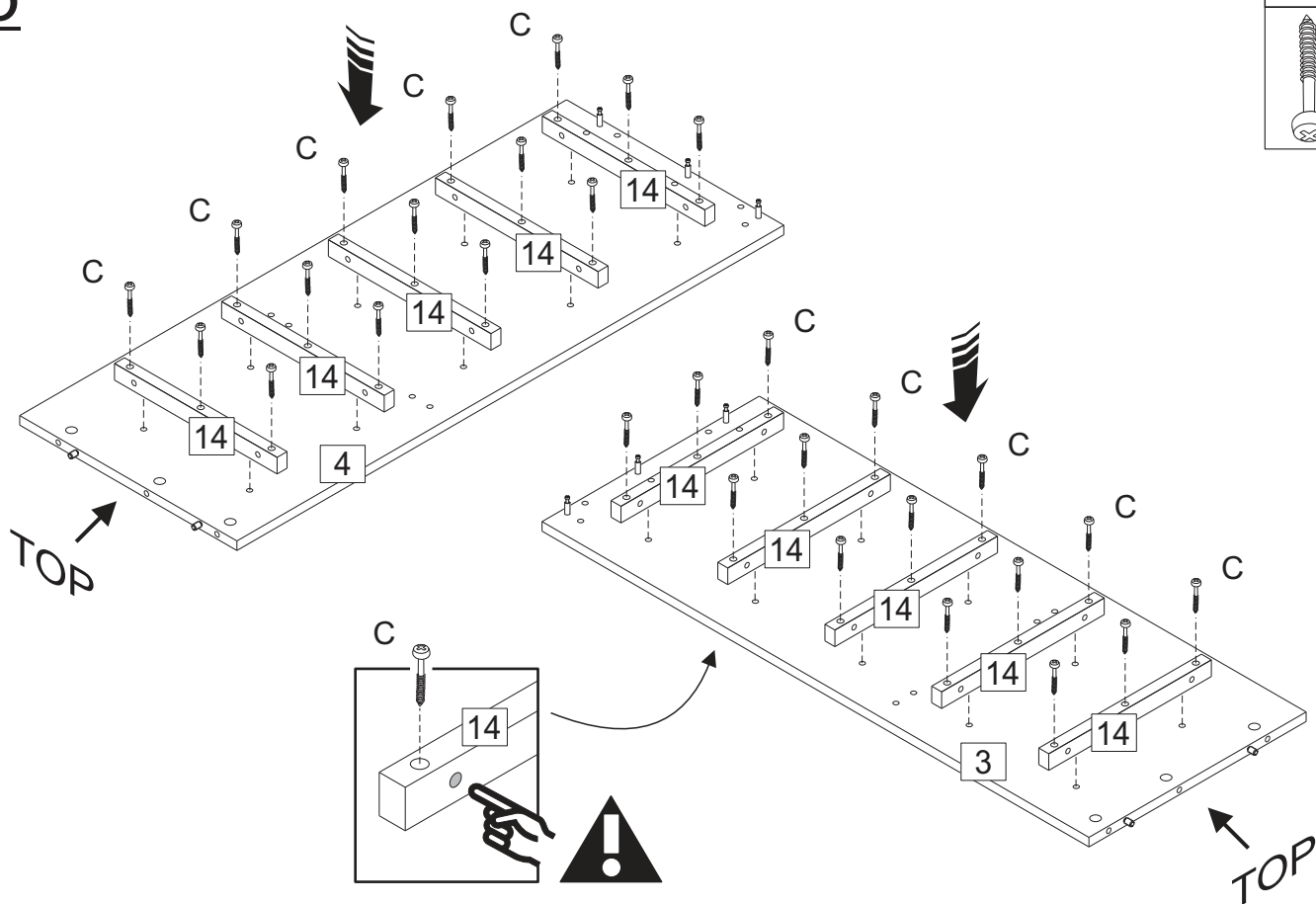
1 - Ensure cam bolt is installed straight and not at an angle.
2 - Tighten cam bolt until shoulder on cam bolt is flush. Do not over-tighten.



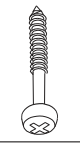
4



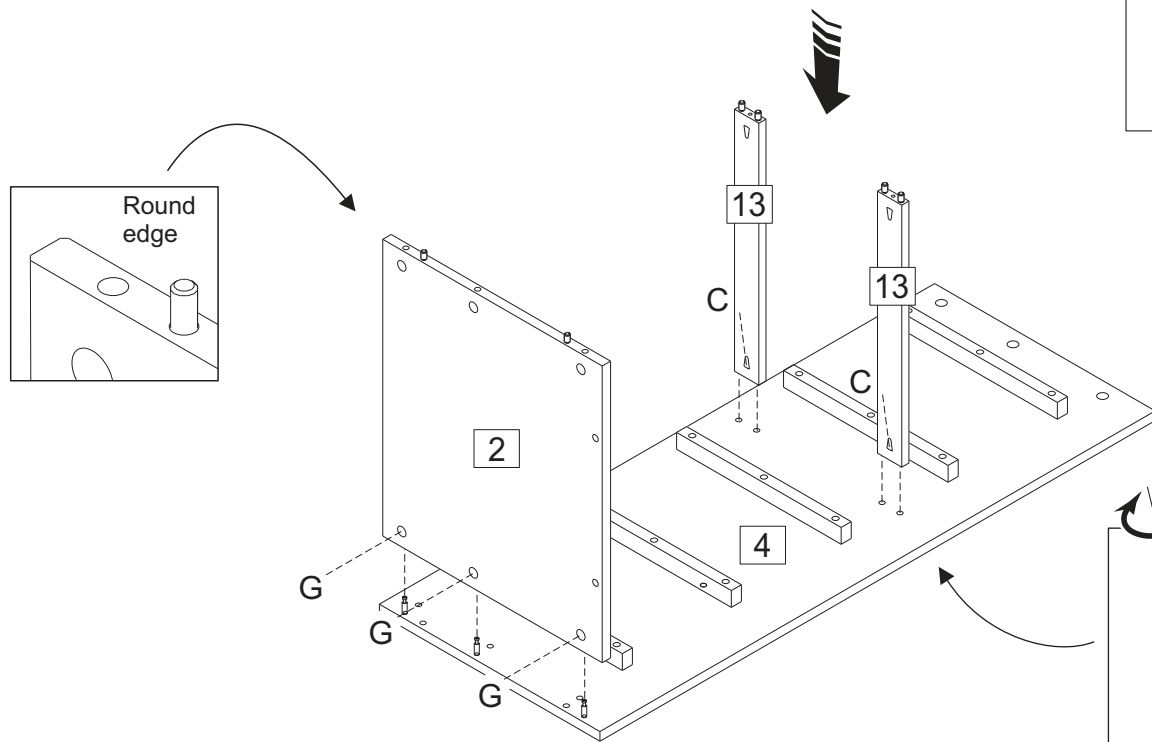
5



Cx30

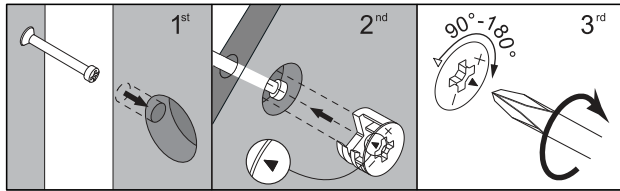
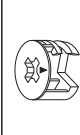
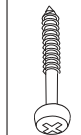


6



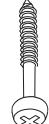

Cx2

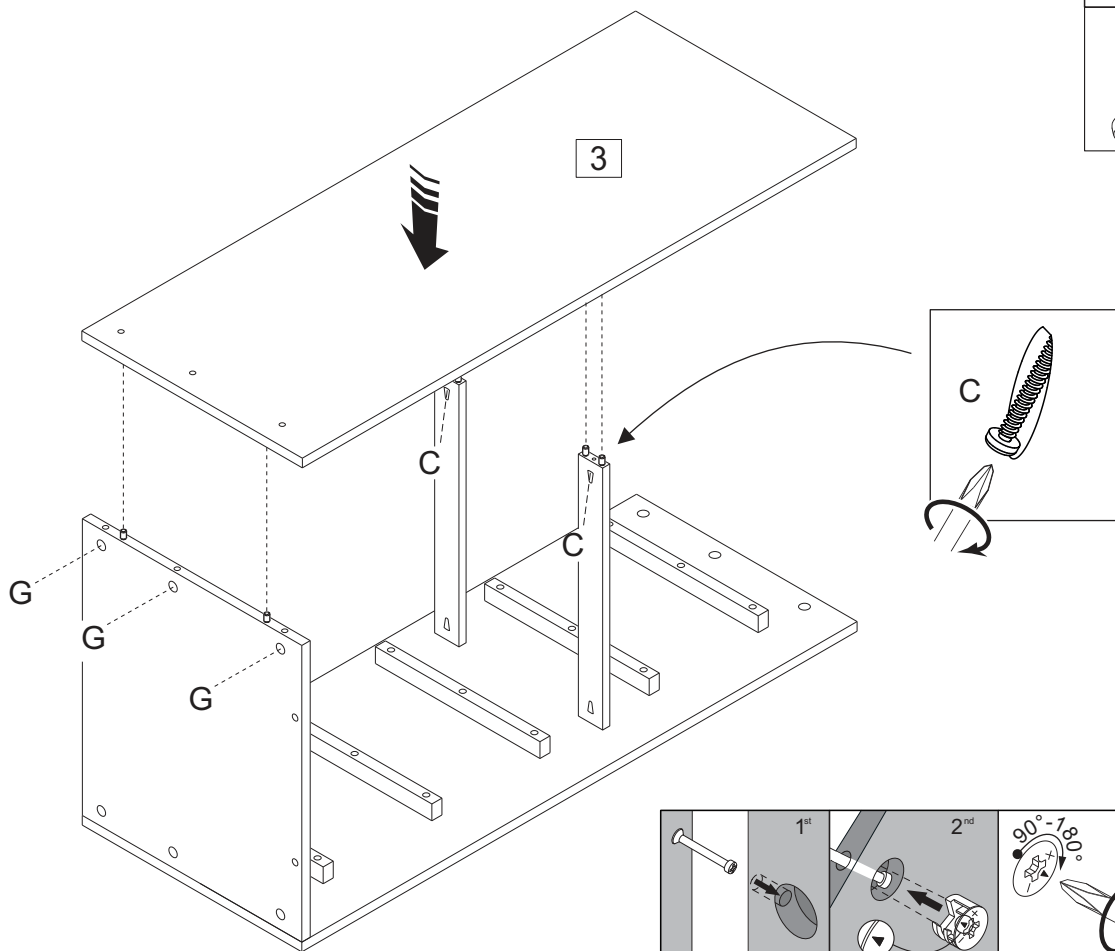
Gx3



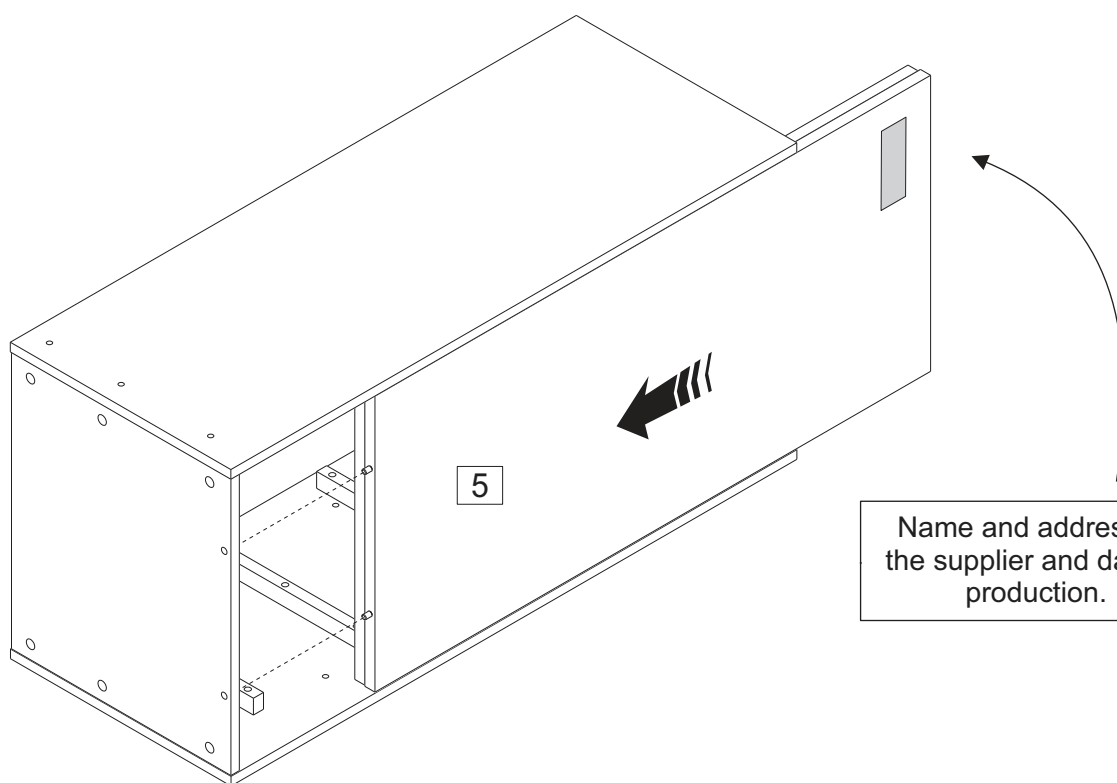
Align the opening in cam lock to the cam bolt and press into opening. Using a screwdriver, rotate the cam lock until it engages with the cam bolt and locks in place (anywhere between 90-180 degrees). Do not over-tighten the cam lock. Doing so may result in damaged or broken parts.

7

Cx2	Gx3
	

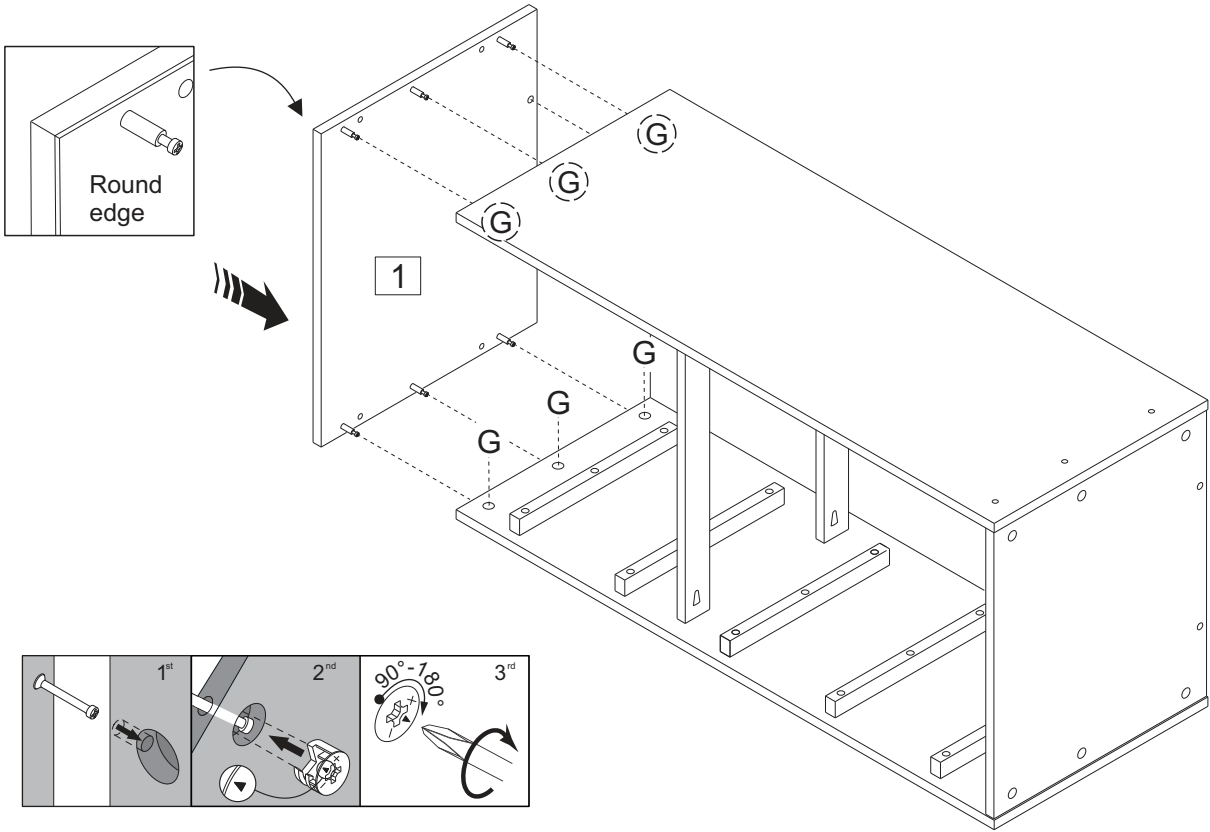


8



9

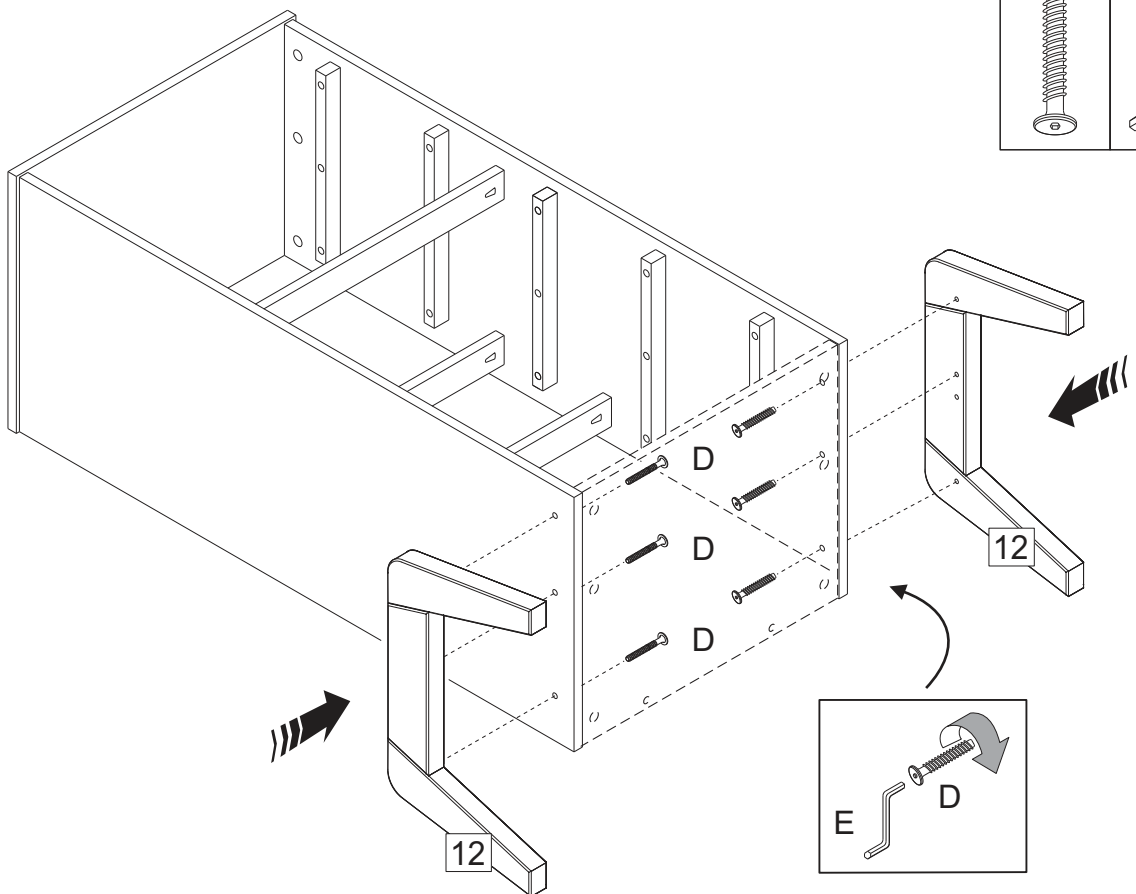
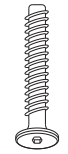
Gx6



10

Dx6

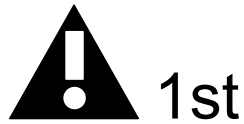
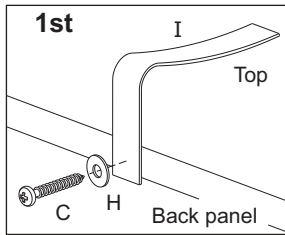
Ex1



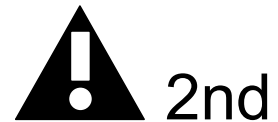
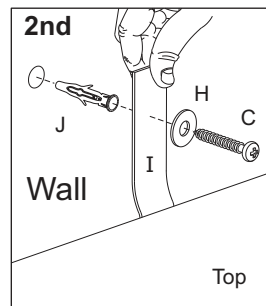
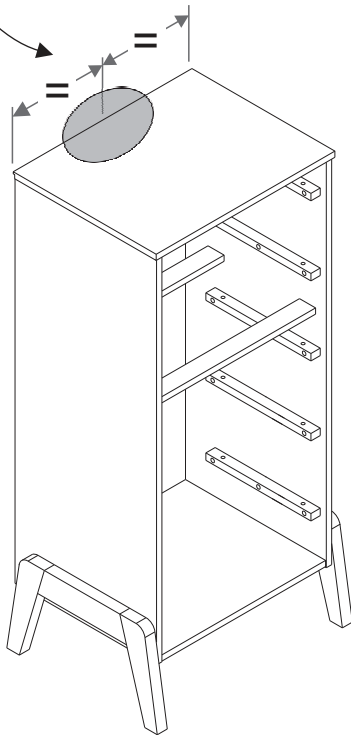
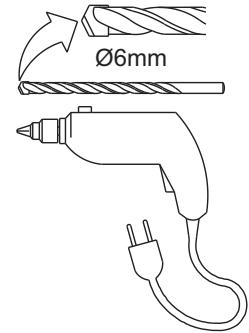
WARNING

Serious or fatal injuries can occur from furniture tipping over. To prevent the furniture from tipping over we recommend that it is permanently fixed to the wall.

Wall anchor and hardware are included with this product. Please make sure hardware is suitable for your walls before installing, as different wall materials may require different types of anchors.



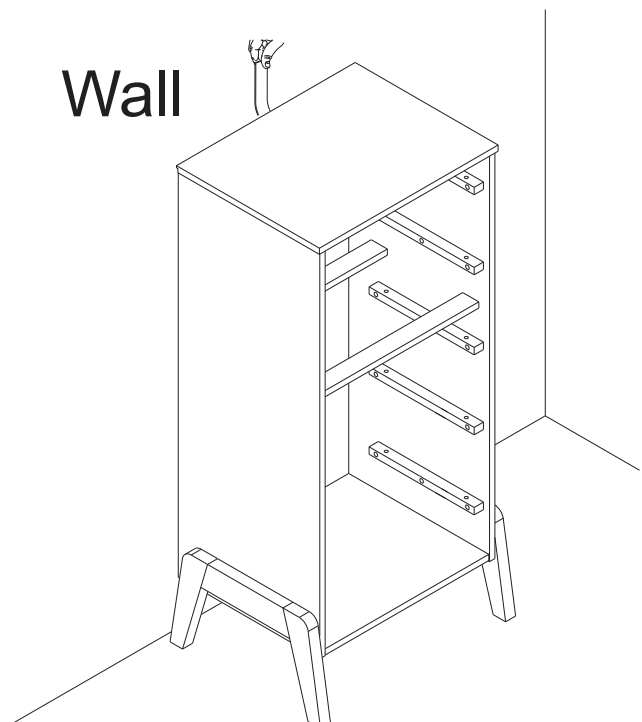
Attach part (I) with Screw (C) and Washer (H), in the frame of superior panel unit.



With drilling machine make one hole in the wall, Insert part (J) in the hole.

Secure part (I) with Screw (C), and Washer (H), in the wall.

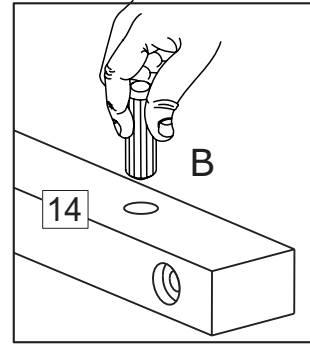
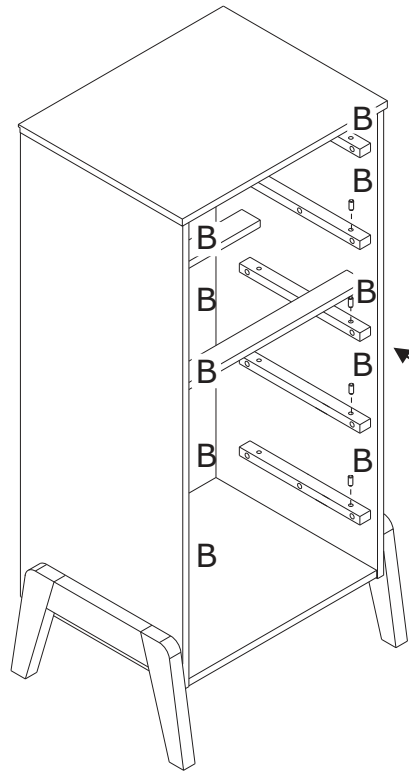
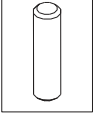
Wall



Cx2	Jx1	Ix1	Hx2

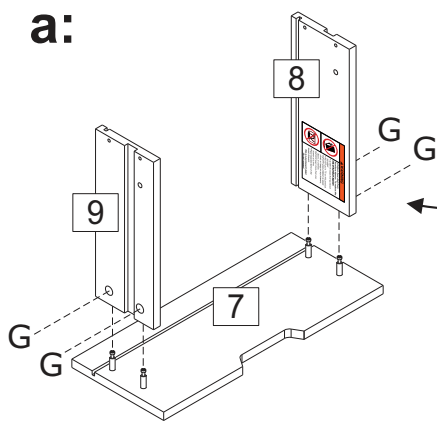
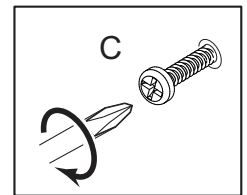
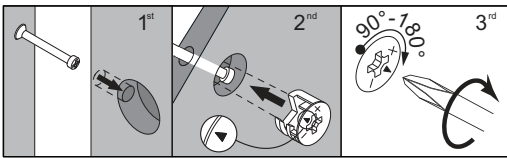
12

Bx10



13

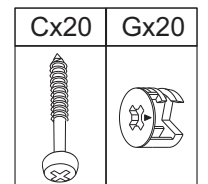
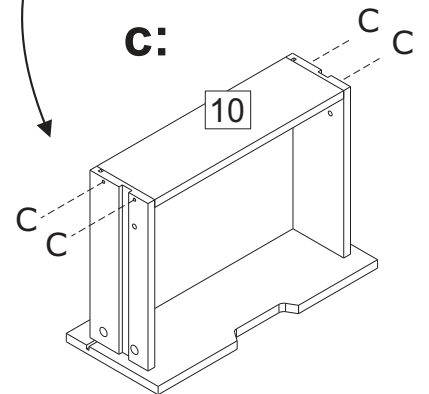
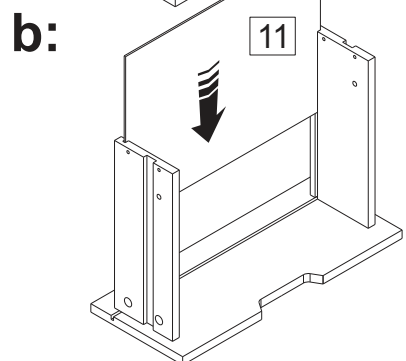
5x



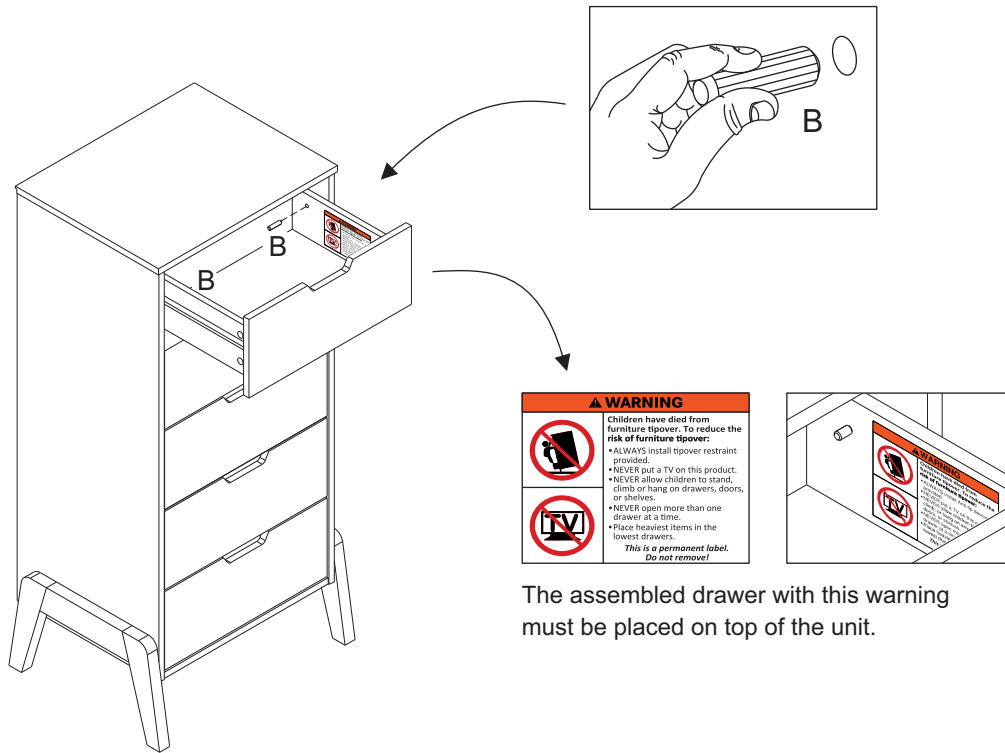
WARNING
 Children have died from furniture tipover. To reduce the risk of furniture tipover:

- ALWAYS install Anti-tip device provided.
- NEVER put a TV on this product.
- NEVER allow children to stand, climb, or hang on any drawers, doors, or shelves.
- NEVER open more than one drawer at a time.
- Place heaviest items in the lowest drawers.

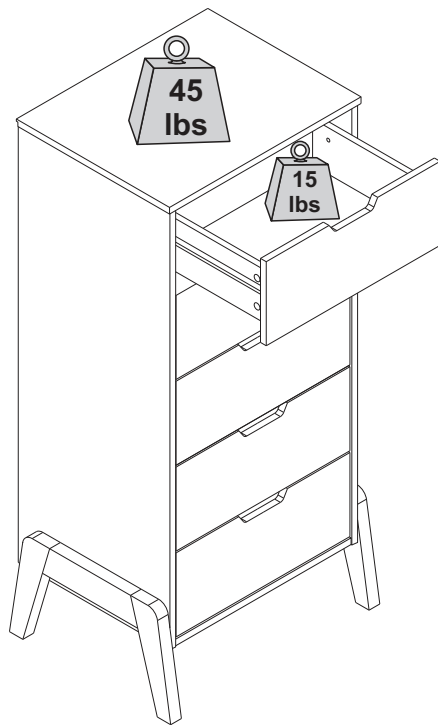
This is a permanent label. Do not remove!



14



15



Assembly Complete!

Maintenance Guide

To maintain long term performance and easy gliding of your solid wood drawers, we recommend applying wax to the wooden guide rails.

1. Bee's wax is recommended or Paraffin wax from a standard candle can be used.

2. Apply the wax by rubbing it on the wooden guide rails where there is wood-on-wood contact when opening and closing the drawer. (Wax should be room temperature, do not melt the wax onto the wood)

3. Wax should be applied every few months for the first year and then only when needed after that to keep the drawers sliding smoothly.