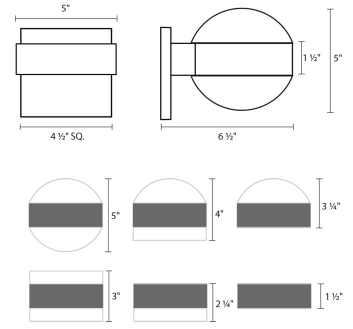
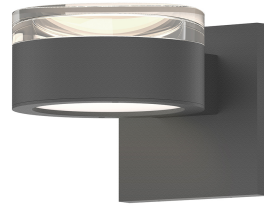


Project:

Spec Sheet



Dimensions

Height:	2.5"
Width:	5"
Extends:	6.5"
Minimum Extension:	6.5"
Maximum Extension:	6.5"
Canopy/Backplate/Base Width:	4.5
Canopy/Backplate/Base Depth:	0.5
Canopy/Backplate/Base Height:	4.5

Electrical Specs

Bulb(s) Included?:	Yes
Bulb 1 Type:	Integral LED
Bulb Quantity:	2
Input Voltage:	120VAC
Wattage:	20
Initial Lumens:	2080
Color Temperature:	3000K
CRI:	90
Power Supply Type:	Driver
Power Supply Quantity:	1
Power Supply Location:	Outlet Box
Dimming Type:	TRIAC/ELV
Bulb Max Wattage:	20

Installation

Installation:	Licensed electrician required
Installation Orientation:	Vertical

Shipping

Carton 1 L x W x H:	9" X 10" X 9"
Carton 1 Gross Weight:	4 LBS
Fixture Weight:	3

Shade

Lens Type:	Clear Cylinder Lens and Plate Lens
Shade 1 Material:	Aluminum w/White Polycarbonate
Shade 2 Material:	Frosted White Polycarbonate

Available Finishes

Available Finishes: Textured Bronze (.72), Textured Gray (.74), Textured White (.98)

General Listings

Features:	Wet Rated
Certification:	C-ETL-US
Color/Finish:	Textured Gray (.74)
Dark Sky Friendly:	Y