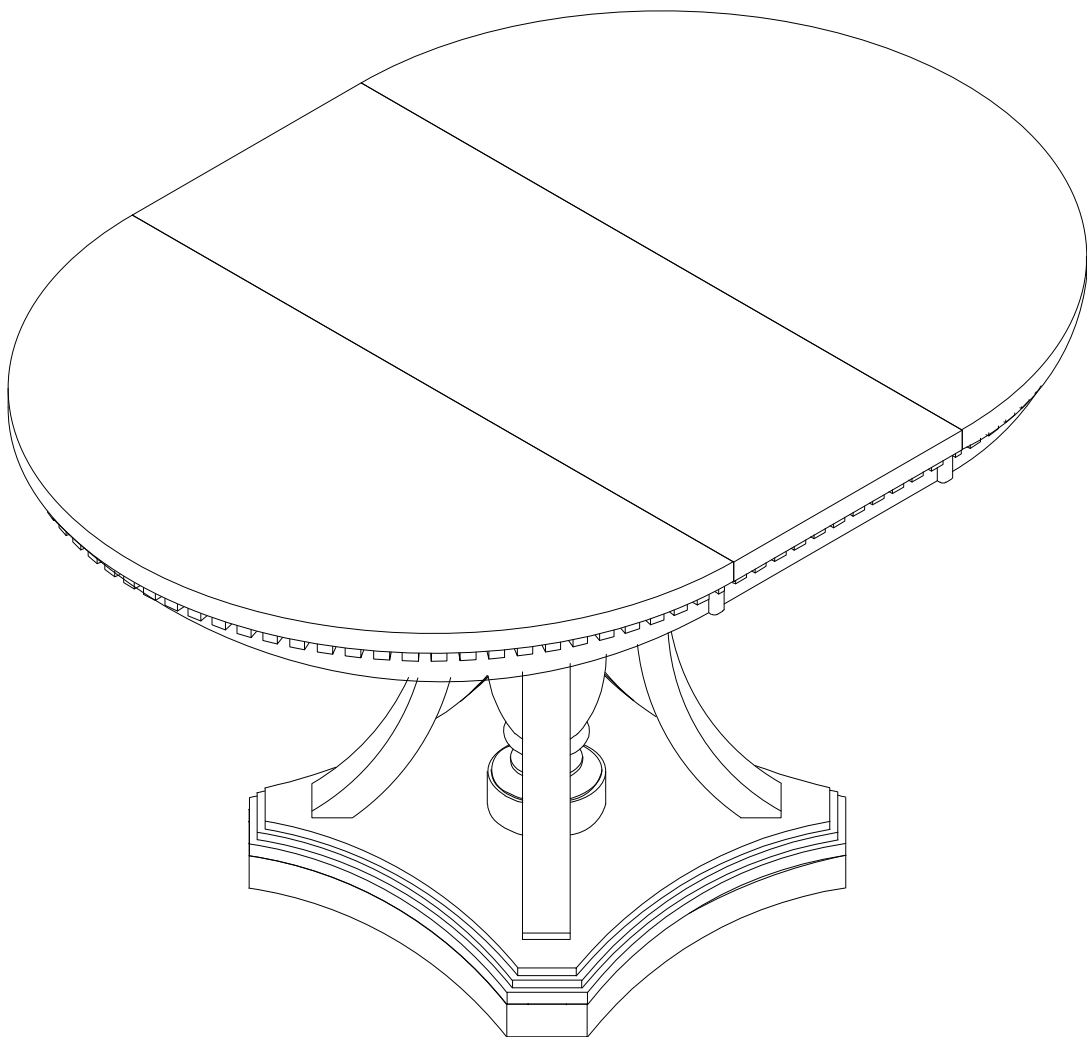


ASSEMBLY INSTRUCTION

ITEM : WF310957

DINING TABLE



ASSEMBLY INSTRUCTION

ITEM : WF310957

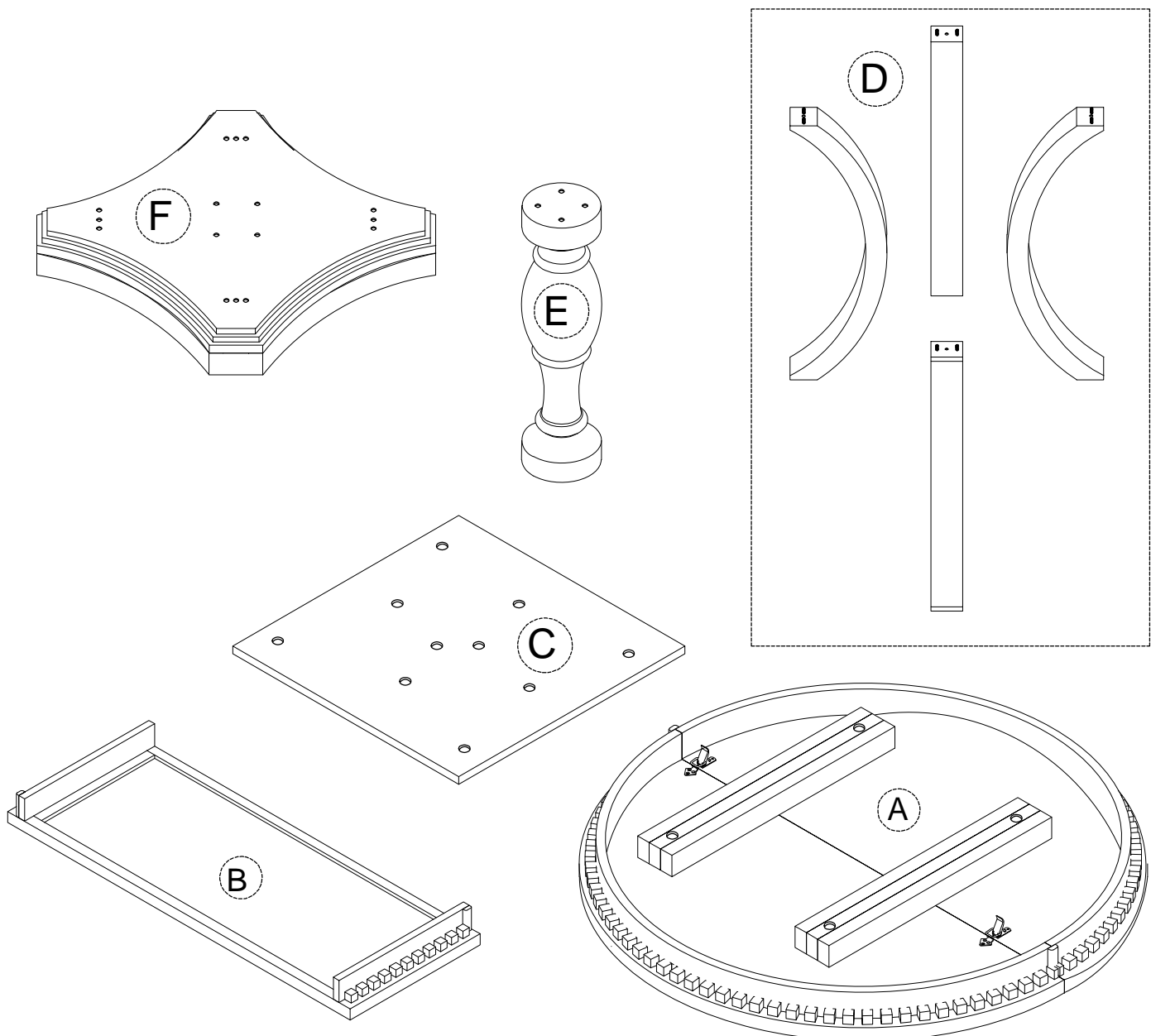
IMPORTANT NOTE:

Please read these instructions fully before starting assembly:

1. Place all wooden parts on a clean and smooth surface such as a rug or carpet to avoid scratching the parts.
2. Kindly follow the assembly instructions step by step.
3. Do not tighten all screws and bolts until the table is fully assembled.
4. Unscrew the protective plastique supports from the metal insert of the table legs before assembly.
5. Parts of the assembly will be easier with 2 people.

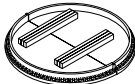
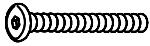
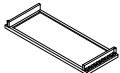
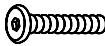
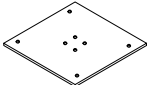
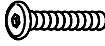


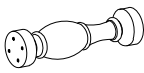

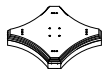




Care and maintenance:

Only clean using a damp cloth and mild detergent, do no use bleach or abrasive cleaners.

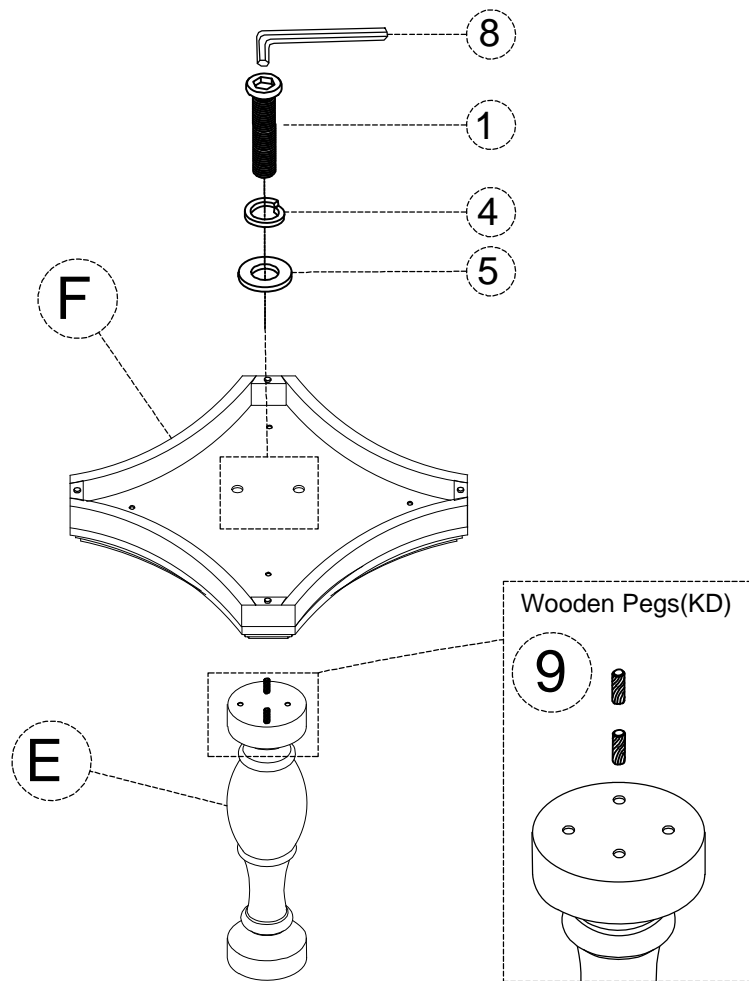


Part List For One

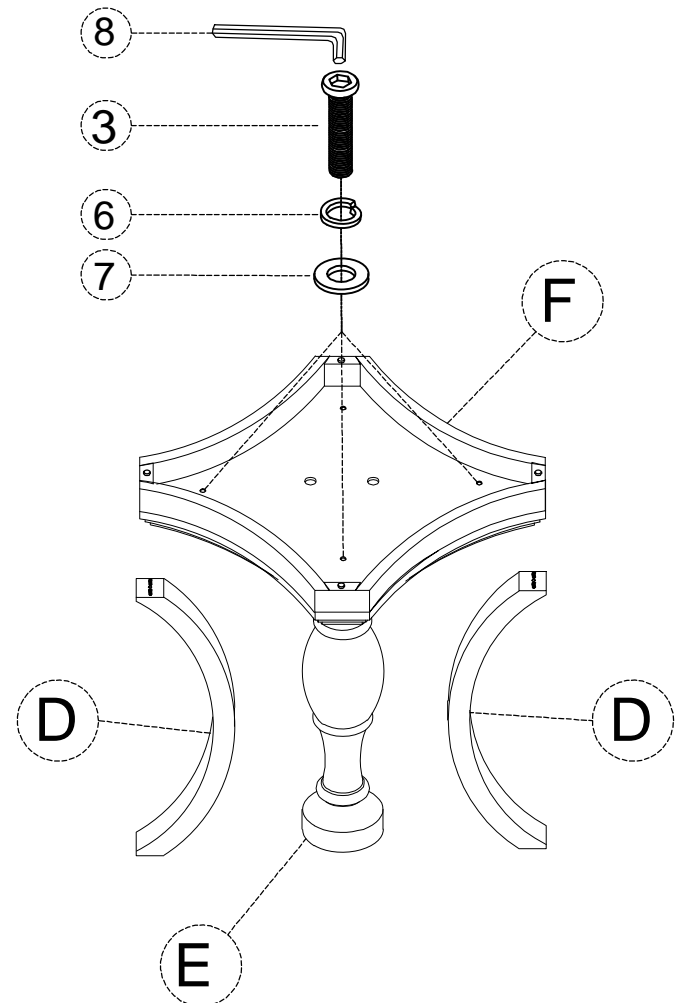
Hardware List For One

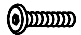




No	Parts Description.	Q'ty	No	Hardware Description.	Q'ty
A	TOP PANEL 	1pc	1	Bolts 5/16" x 50mm 	4pcs
B	LFAF 	1pc	2	Bolts 5/16" x 40mm 	4pcs
C	JOINT PLATE BETWEEN LEGS AND TABLETOP 	1pc	3	Bolts 1/4" x 35mm 	8pcs
D	LEGS 	4pcs	4	Spring Washer 5/16" x 13mm x 1.5mm 	8pcs
E	LEG 	1pc	5	Flat Washer 5/16" x 16mm x 1.5mm 	8pcs
F	MIDDLE STRETCHER 	1pc	6	Spring Washer 1/4" x 13mm x 1.5mm 	8pcs
			7	Flat Washer 1/4" x 16mm x 1.5mm 	8pcs
			8	Allen Key 4mm*60mm 	1pc
			9	Wooden Pegs 	4pcs

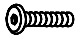



STEP 1



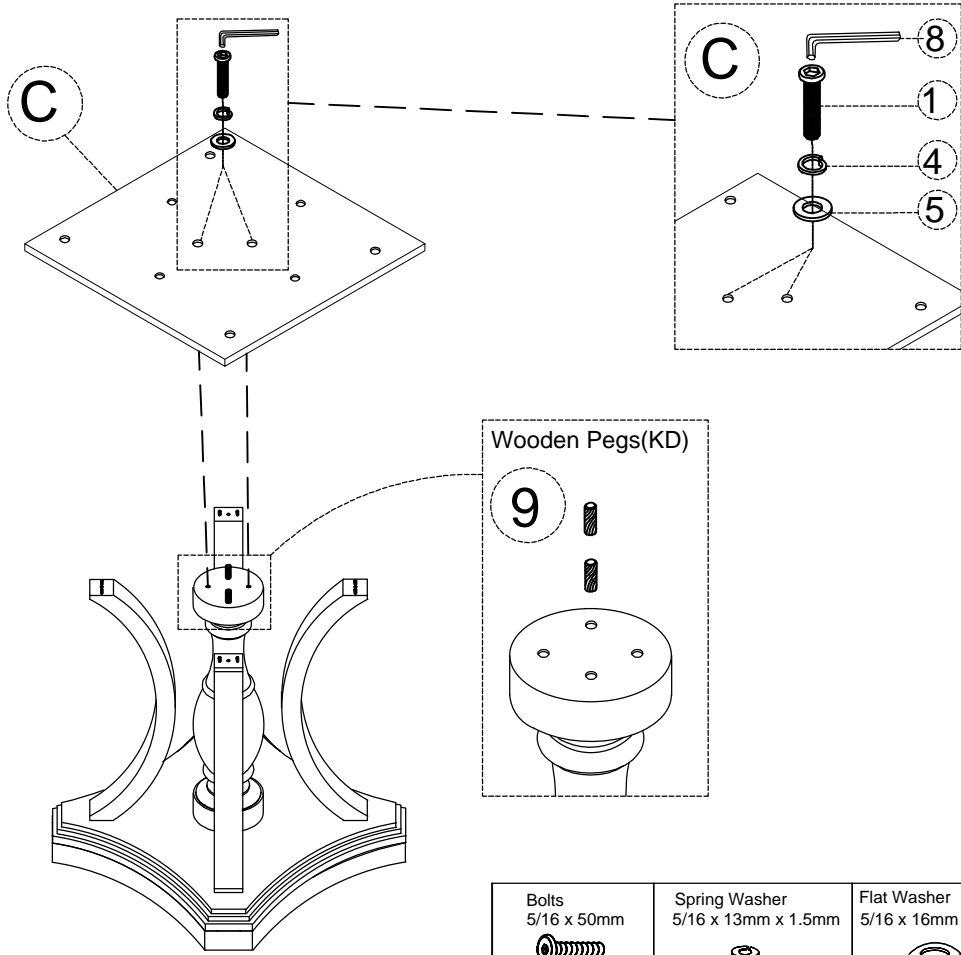
STEP 2








Bolts 5/16 x 50mm  ①x 2	Spring Washer 5/16 x 13mm x 1.5mm  ④x 2	Flat Washer 5/16 x 16mm x 1.5mm  ⑤x 2	Allen Key 4mm x 60mm  ⑧x 1	Wooden Pegs  ⑨x 2
--	---	---	--	--

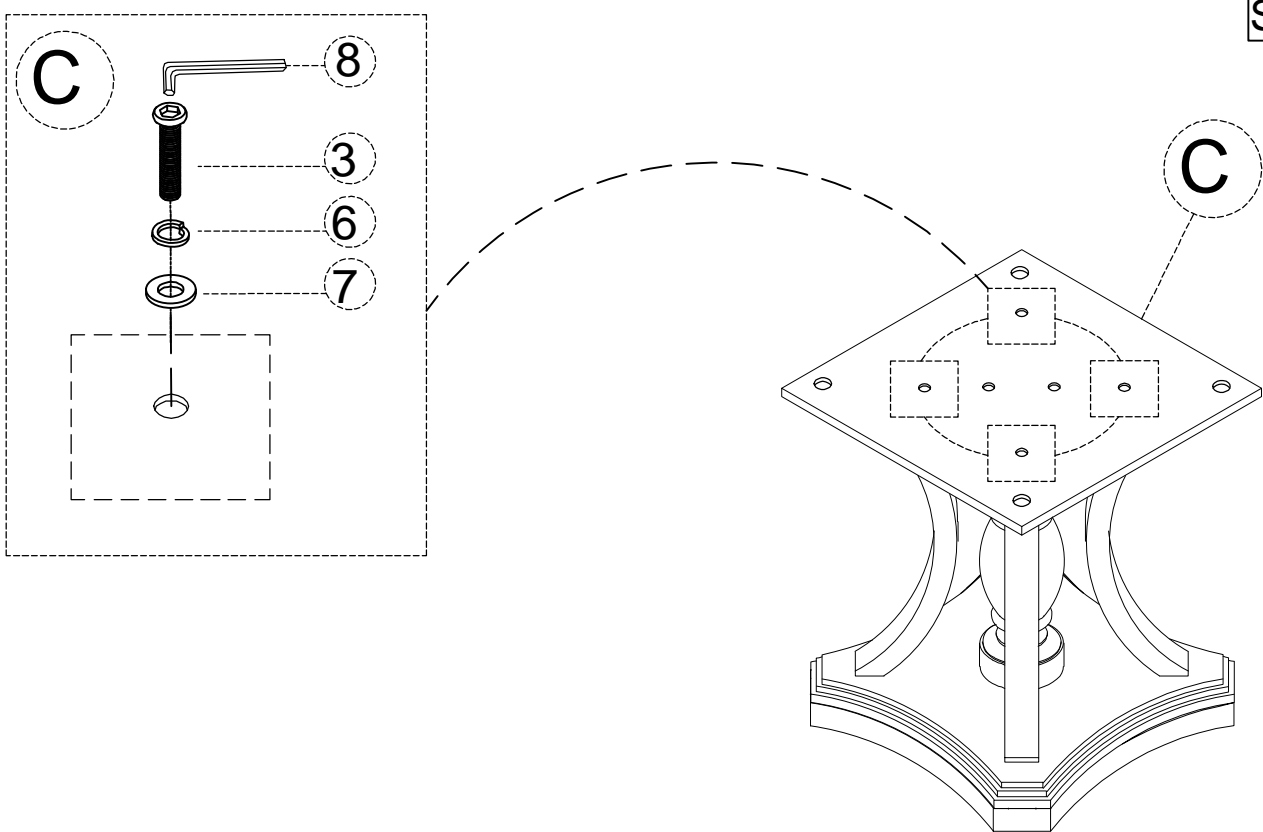
Bolts 1/4 x 35mm  ③x 4	Spring Washer 1/4 x 13mm x 1.5mm  ⑥x 4	Flat Washer 1/4 x 16mm x 1.5mm  ⑦x 4	Allen Key 4mm x 60mm  ⑧x 1
--	--	--	--

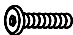


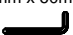
STEP 3



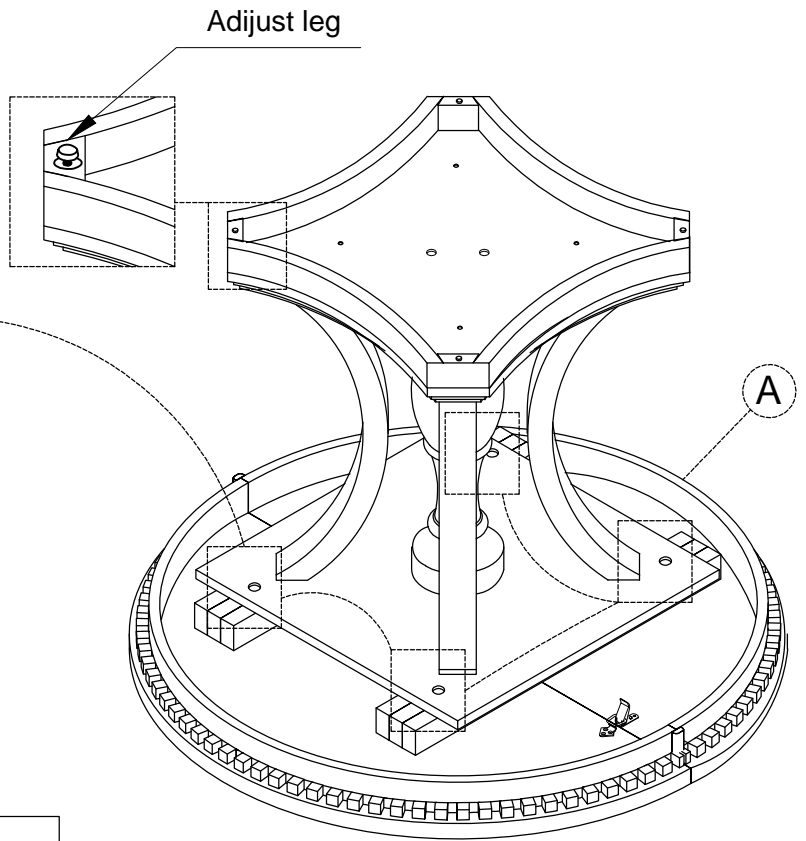
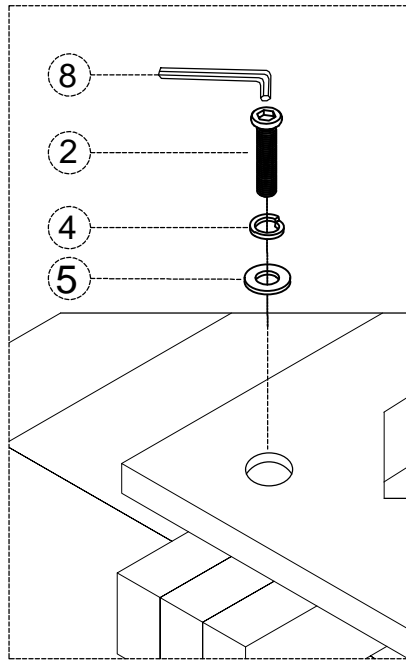
Bolts 5/16 x 50mm  ①x 2	Spring Washer 5/16 x 13mm x 1.5mm  ④x 2	Flat Washer 5/16 x 16mm x 1.5mm  ⑤x 2	Allen Key 4mm x 60mm  ⑧x 1	Wooden Pegs  ⑨x 2
---	--	---	--	--

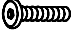



STEP 4



Bolts 1/4 x 35mm  ③x 4	Spring Washer 1/4 x 13mm x 1.5mm  ⑥x 4	Flat Washer 1/4 x 16mm x 1.5mm  ⑦x 4	Allen Key 4mm x 60mm  ⑧x 1
--	---	---	---

STEP 5



Bolts 5/16 x 40mm  ②x 4	Spring Washer 5/16 x 13mm x 1.5mm  ④x 4	Flat Washer 5/16 x 16mm x 1.5mm  ⑤x 4	Allen Key 4mm x 60mm  ⑧x 1
--	---	---	--

FINISH

