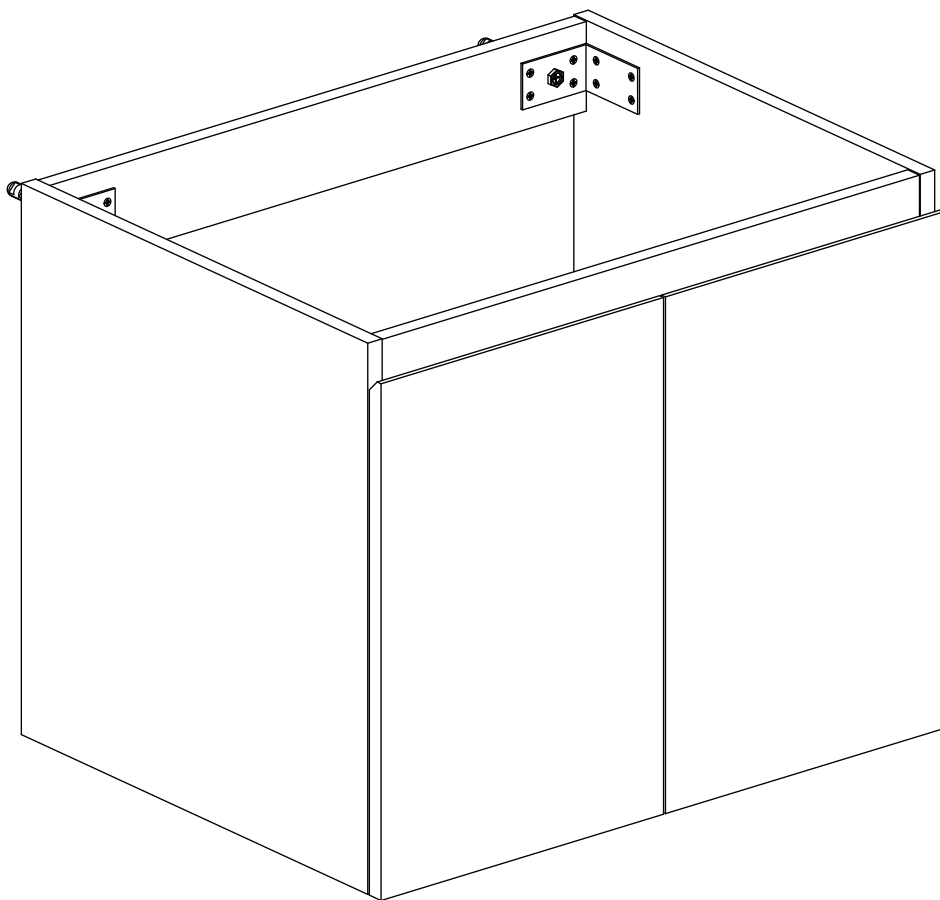




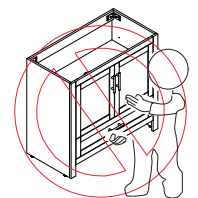
INSTALLATION MANUAL



 **WARNING:** Heavy object. Risk of injury if dropped.


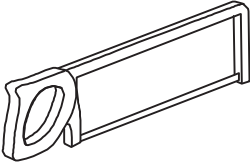
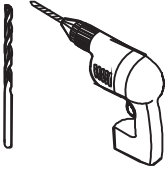
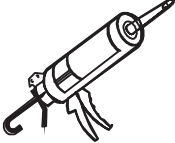
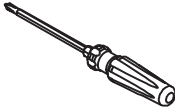
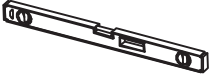
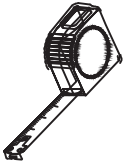



 **CAUTION:** Fragile material. Handle with care to avoid chipping or cracking.

 **NOTICE:** Do not over-tighten screws, as this may crack the cabinet material.



We recommend installation by two or more people.

Tools Required (Required but not included)

		 1/4 inch 5/16 inch 3/8 inch		
Cutting Plier	Hack Saw	Drill	Caulk Gun	Screwdriver
				
Level	Tape Measure	Pencil	Allen Key	Mallet

- Please ensure you have all the necessary tools before starting the installation. Using the wrong tools may damage the product or result in improper installation.

Safety & Pre-Installation

- **Wall Reinforcement:** "For wall-mounted units, ensure the wall is a load-bearing structure. If installing on drywall, internal timber or metal stud reinforcement is mandatory."
- **Check for Utilities:** "Before drilling, verify the location of electrical wires and water pipes behind the wall to avoid damage or injury."
- **Professional Installation:** "It is highly recommended that this product be installed by a licensed plumber or professional contractor."
- **Two-Person Lift:** "Due to the weight and fragility of the vanity/basin, always use two people to lift and move the unit."

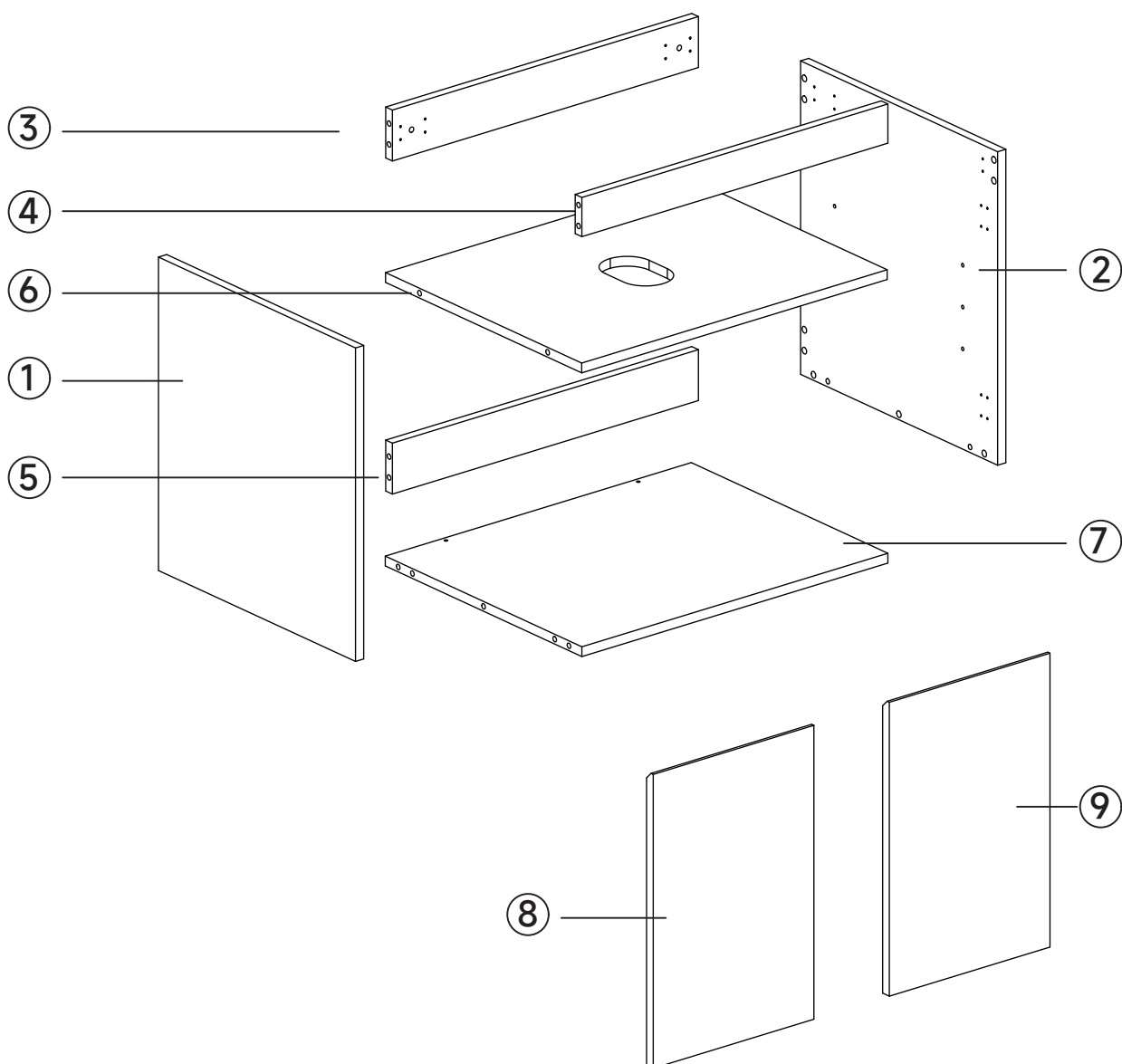
Essential Installation Notes

- **Leveling:** "Ensure the cabinet is perfectly level using a spirit level before securing it to the wall. Uneven installation may cause door misalignment or drainage issues."
- **Silicone Sealing:** "Apply high-quality anti-mold silicone sealant to all edges where the basin meets the cabinet and where the vanity meets the wall."
- **Curing Time:** "Do not use the vanity or allow water contact for at least 24 hours to allow the silicone to fully cure."
- **Hinge Adjustment:** "Cabinet doors and drawer fronts can be fine-tuned via the adjustable hinges to ensure perfect alignment."

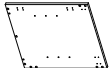
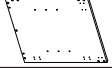



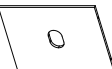
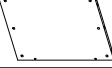
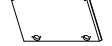
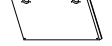



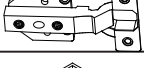
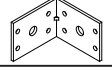

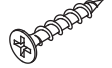
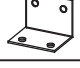
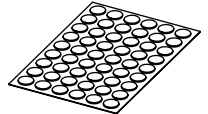
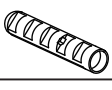
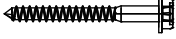
Maintenance & Care

- **Avoid Harsh Chemicals:** "Do not use abrasive cleaners, bleach, or scouring pads on the vanity surface or hardware, as they may damage the finish."
- **Water Exposure:** "While the vanity is moisture-resistant, it is not waterproof. Wipe away any standing water or spills immediately with a dry, soft cloth."
- **Ventilation:** "Maintain adequate ventilation in the bathroom to prevent excessive humidity buildup."

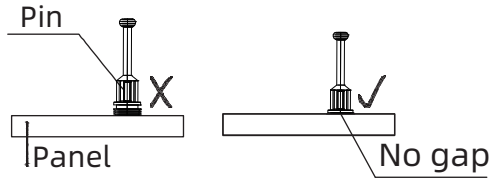
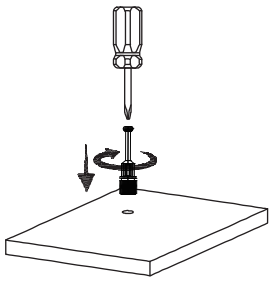
Detailed Diagram of Bathroom Vanity Components



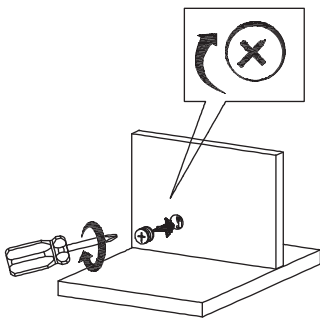
Parts And Hardware Listing

ITEM	NAME	QTY	PICTURE
①	Left Side Panel	1	
②	Right Side Panel	1	
③	Top Pull Bar	1	
④	Pull Forward	1	
⑤	Pull The Bottom Bar	1	
⑥	Movable Shelves	1	
⑦	Rear Bottom Pull	1	
⑧	Left Door Panel	1	
⑨	Right Door Panel	1	
Ⓐ	Cam Lock	18	
Ⓑ	Cam Bolt	18	
Ⓒ	Wood Dowel	4	
Ⓓ	Door Hinge	4	
Ⓕ	Corner Mark 66mm X 66mm X 40mm	2	
Ⓖ	Fixing Screws 4mm X 14mm	48	
Ⓙ	Fixing Screws 4mm X 30mm	2	
Ⓟ	Corner Mark 32mm X 25mm X 1mm	2	
Ⓡ	Sticker	22	
Ⓢ	Hollow Wall Piugs 10mmx60mm	2	
Ⓣ	Fixing Screws 6.2mm X 80mm	2	

CAM BOLT INSTALLATION AS BELOW:

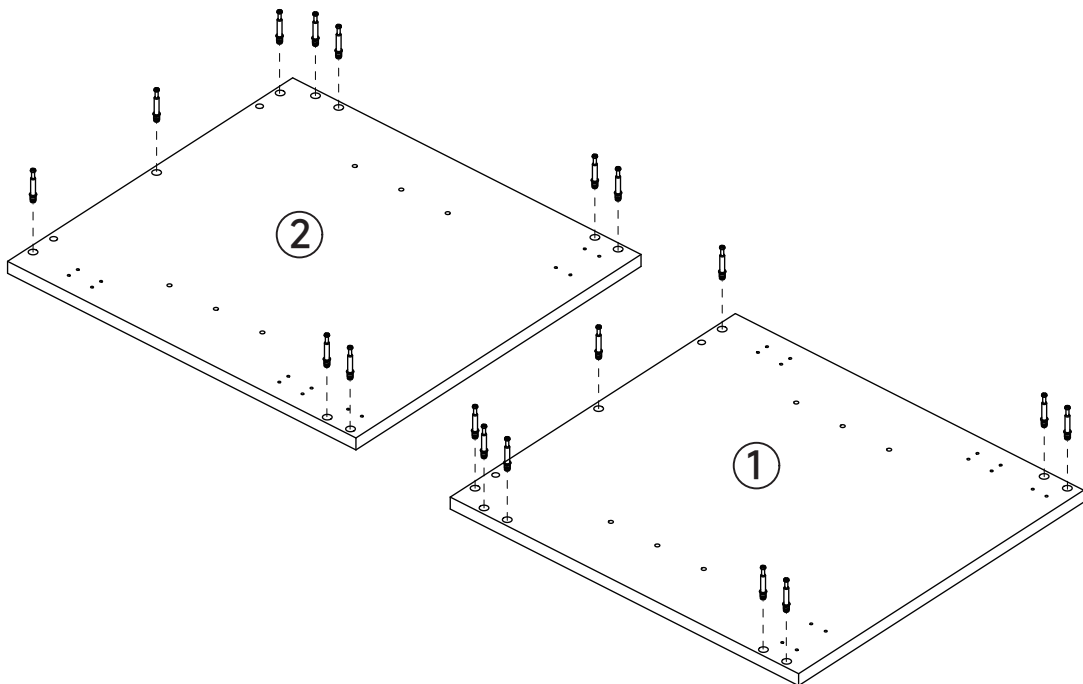


	Cam bolt
	Connecting piece

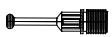


Rotate connecting piece if found in the position illustrated above.	Correct orientation to receive bolts.

STEP 1

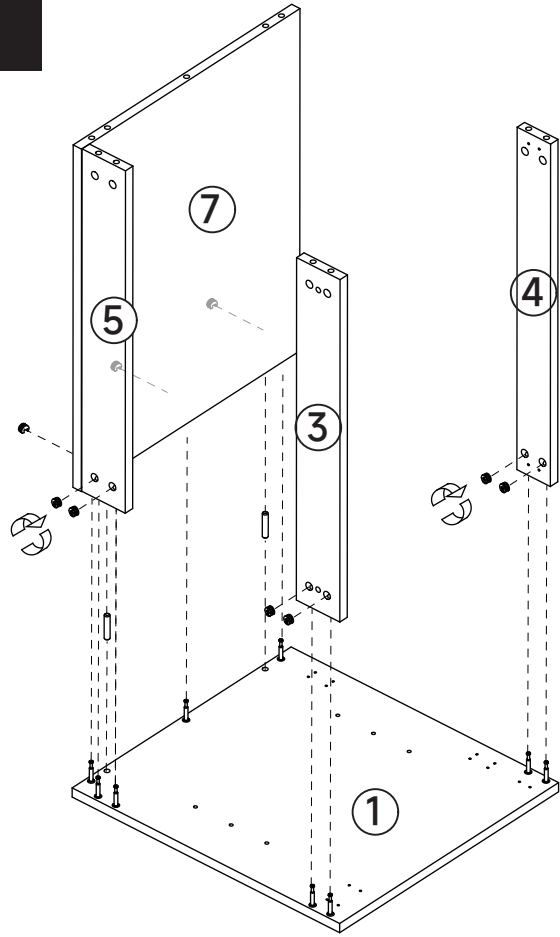
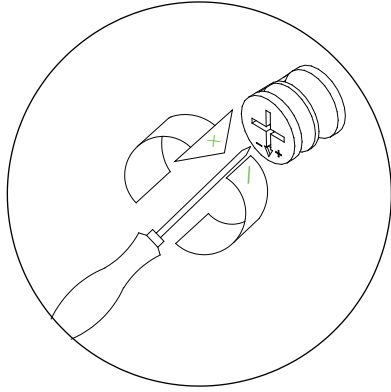



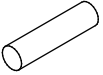
B



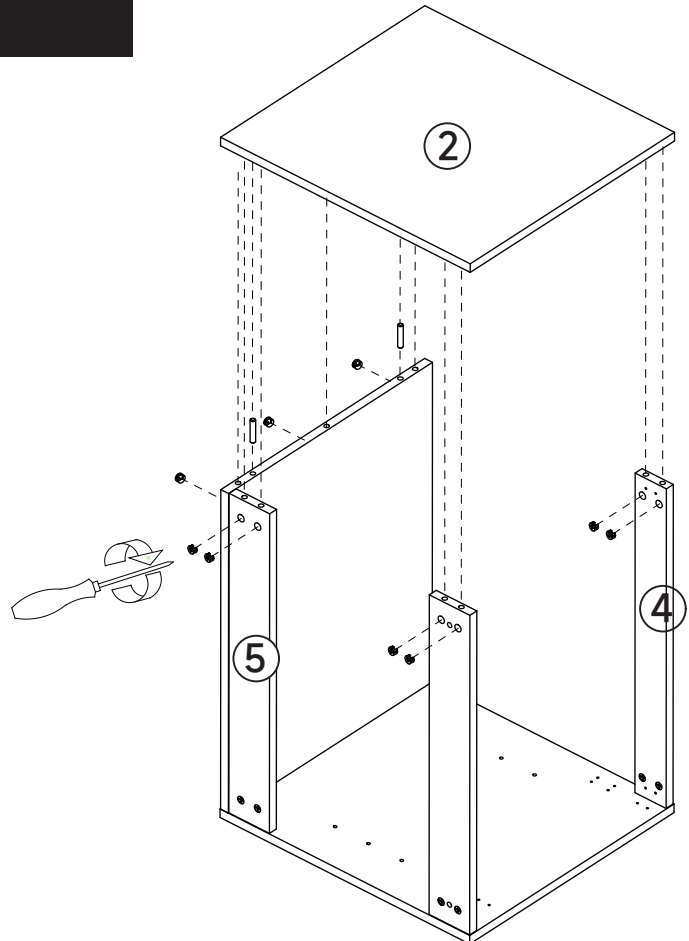
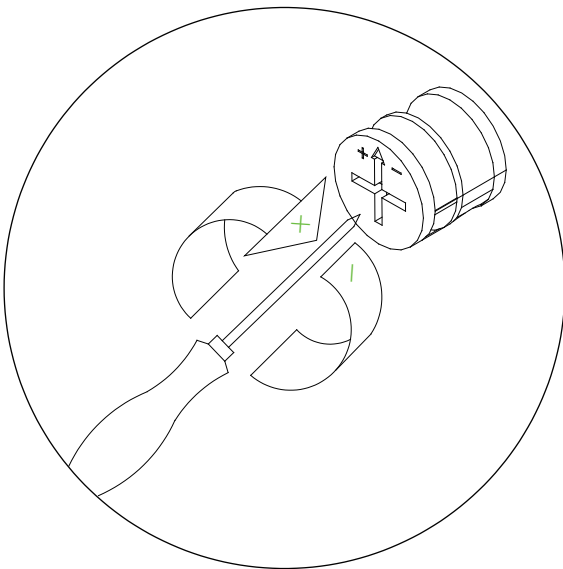
x18


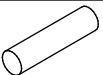
STEP 2



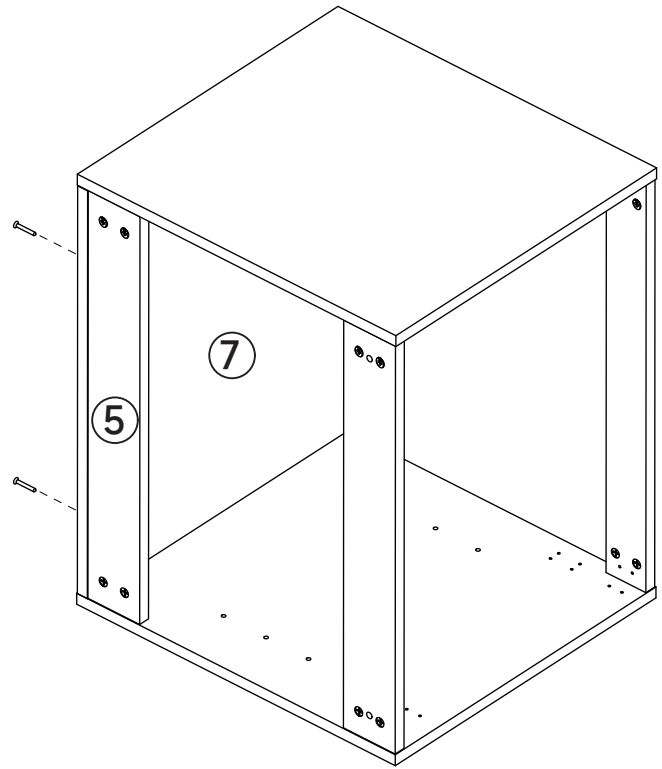
A		x9
C		x2

STEP 3

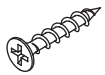


A		x9
C		x2

STEP 4

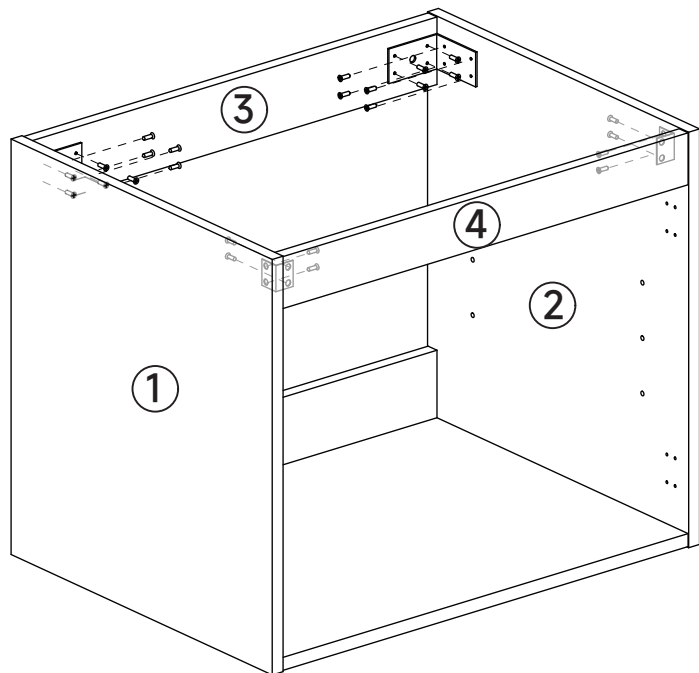


J



x2

STEP 5



H



x2

P



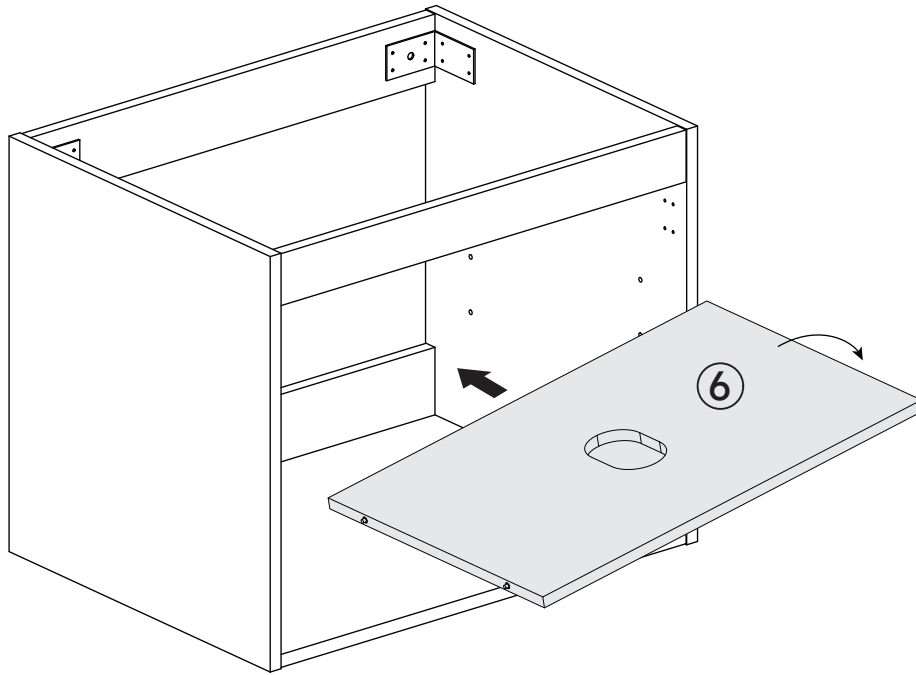
x2

I

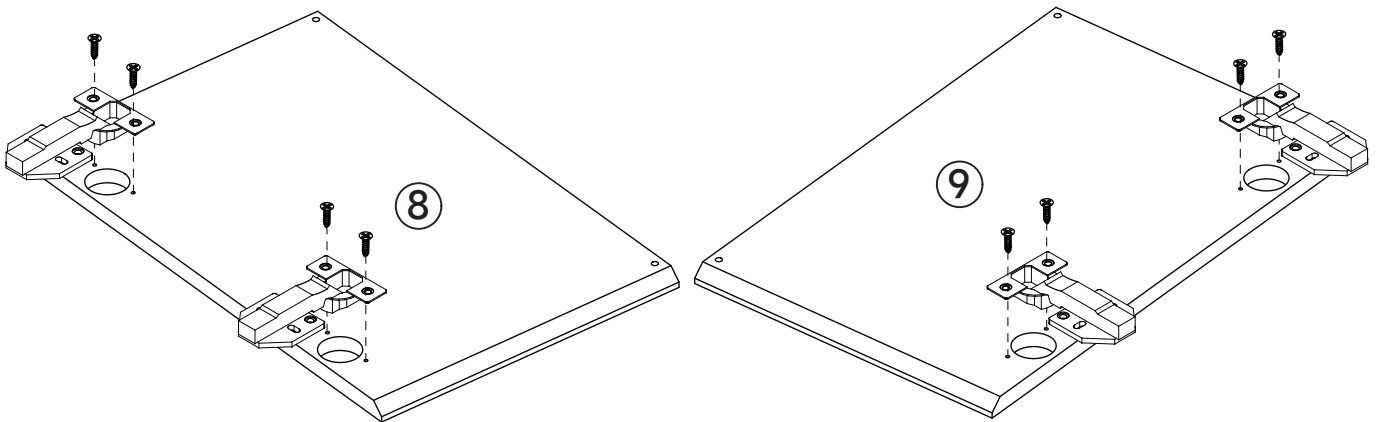


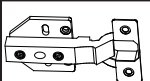

x24

STEP 6

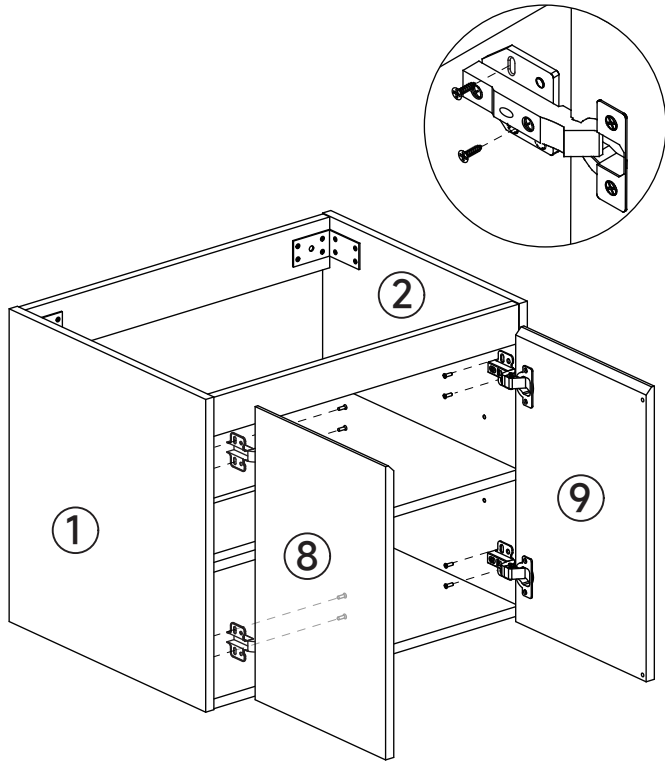


STEP 7



D		x4
I		x8

STEP 8

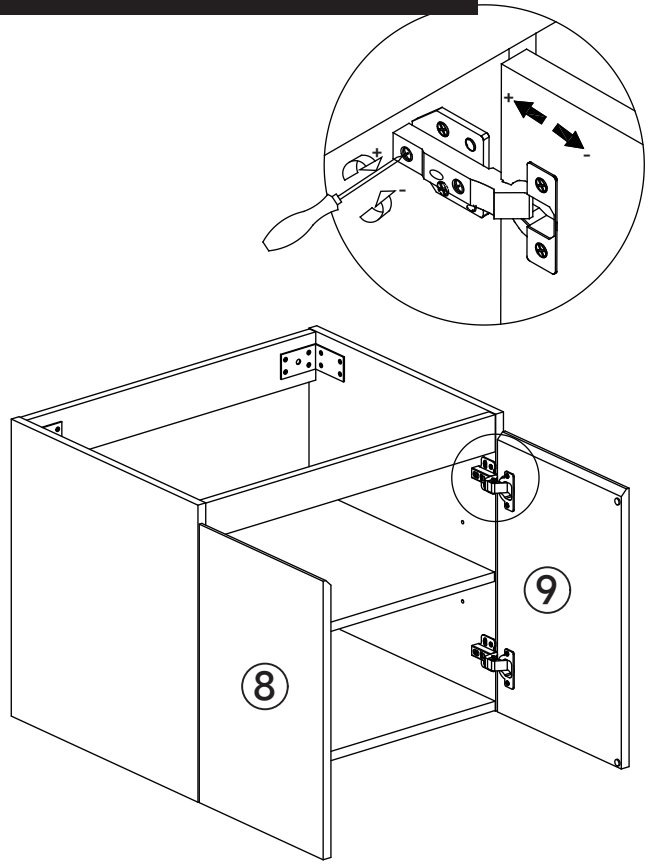


1

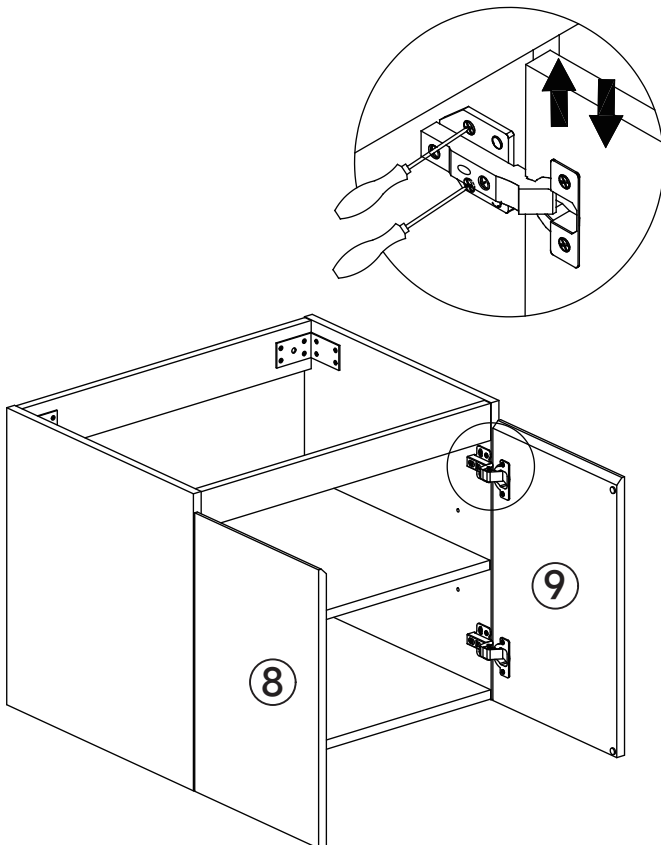


x8

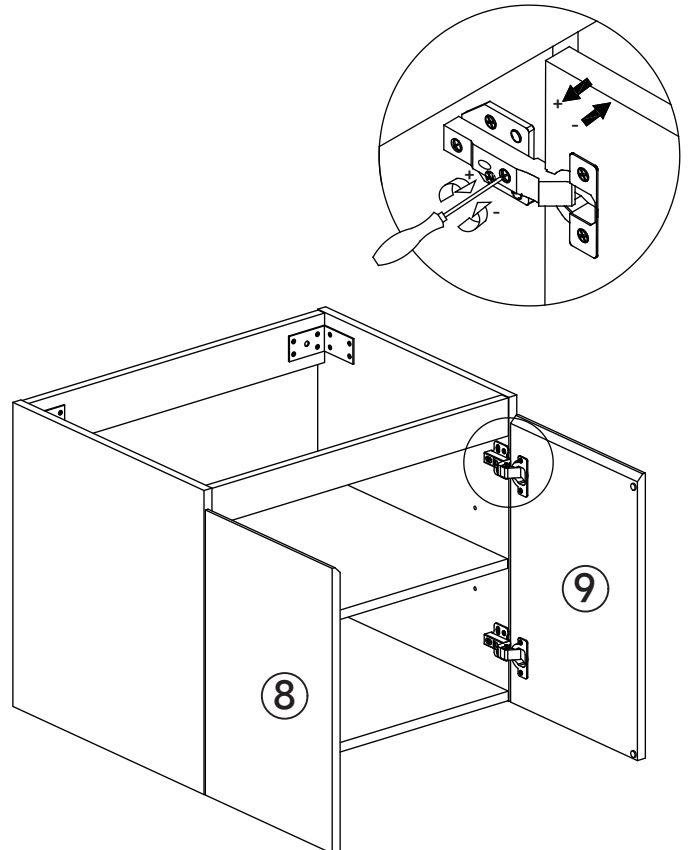
STEP 9



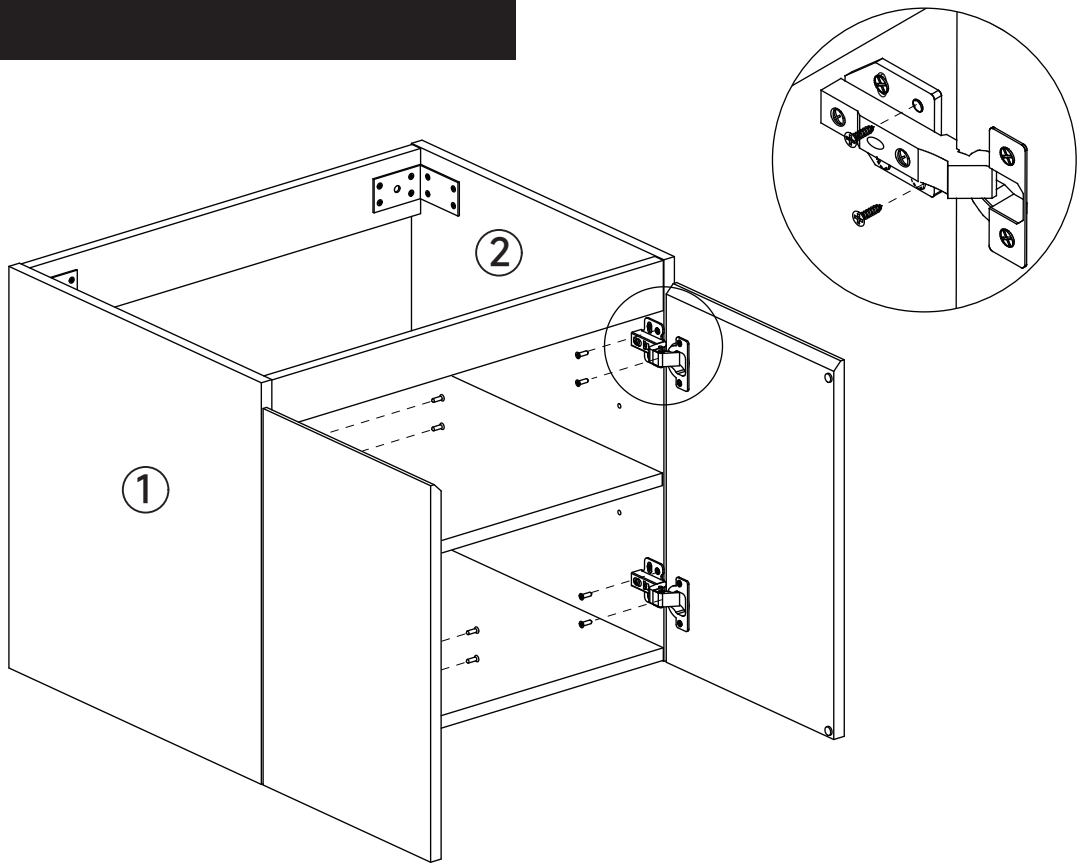
STEP 10



STEP 11



STEP 12

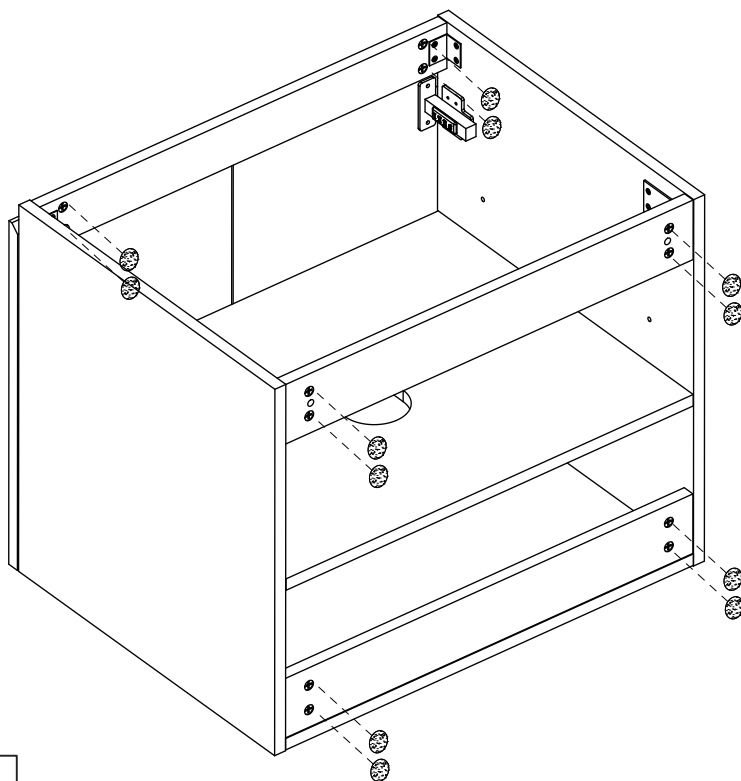


1



x8

STEP 13

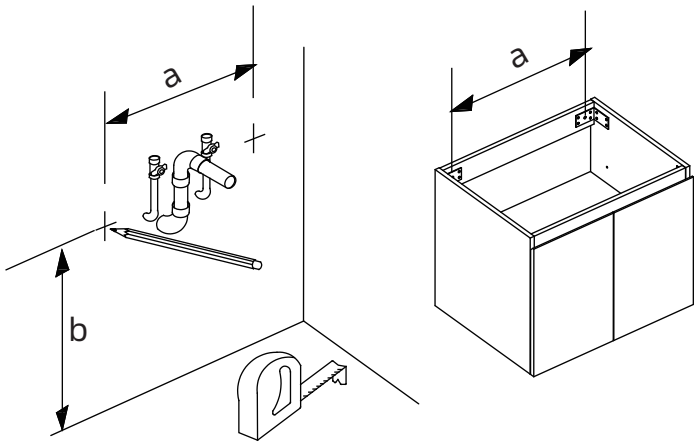


R

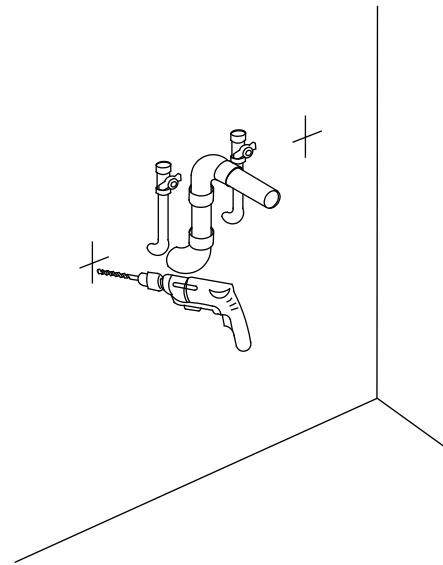


x22

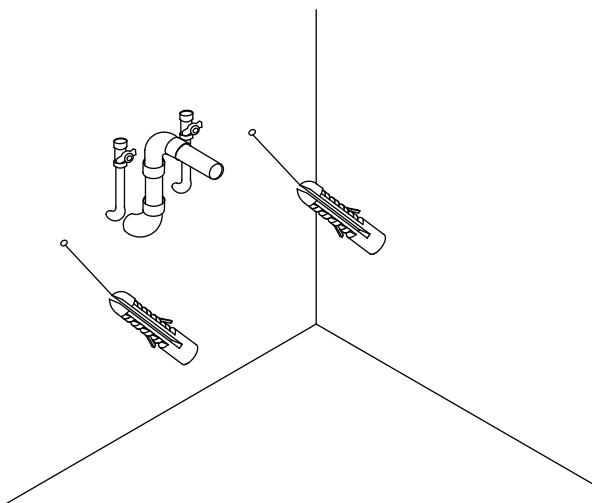
STEP 14



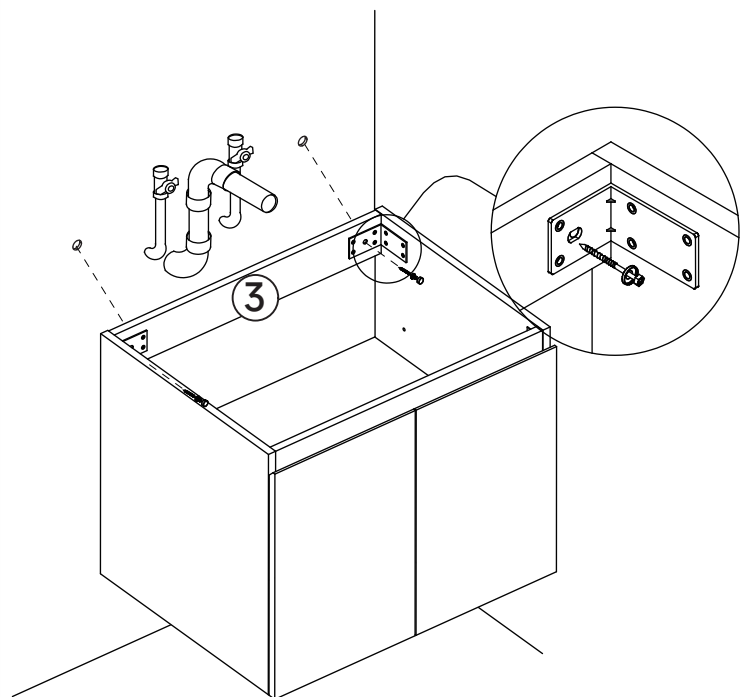
STEP 15



STEP 16



STEP 17



S



x2

T



x2

STEP 18

