

Owner's Manual

48" Ottoman

NOTE:

The instruction booklet contains **IMPORTANT** safety information
Please read and keep for future reference.

OUR BRAND

We are one of the nation's largest direct sellers of home decor. We offer an extensive selection of high-quality indoor and outdoor furniture, appliances, and accessories. We are committed to making decorating your home easy, affordable and fun. Everything you need to make your house into a beautiful home can be found. So whether you shop by website or catalog, you can be sure you will always find top-quality merchandise for your home.

TABLE OF CONTENTS

INSTRUCTIONS MANUAL	02
WARRANTY	04

INSTRUCTIONS MANUAL

Assembly Tips :

1. Remove hardware from box and sort by size.
2. Please check to see that all hardware and parts are present prior to start of assembly.
3. Please follow attached instructions in the same sequence as numbered to assure fast & easy assembly.



WARNING!

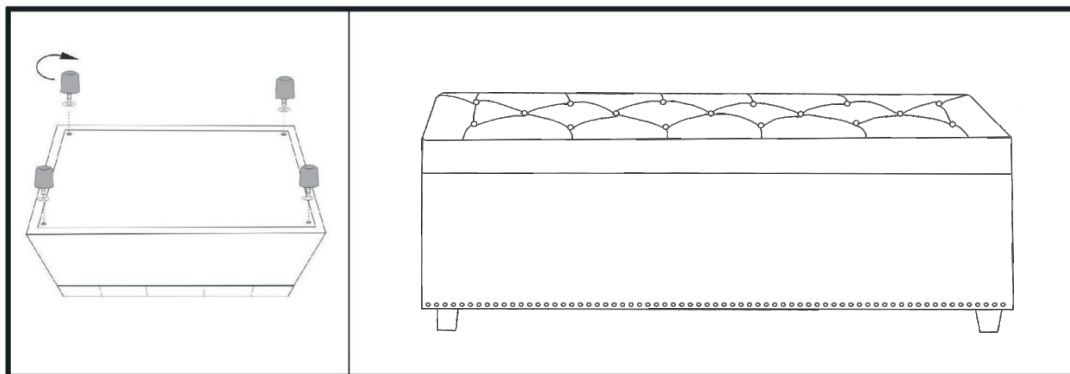
1. Don't attempt to repair or modify parts that are broken or defective. Please contact the store immediately.
2. This product is for home use only and not intended for commercial establishment.

It needs two persons and takes about thirty minutes to assemble the item.

Step 1: Align and attach the legs (A) washers (B) to the seat frame. As show in the drawing.

Z HARDWARE PACKAGE

NO	DESCRIPTION	FIGURE	Q'TY
A	LEGS		4PCS
B	WASHERS		8PCS



LIMITED TERM WARRANTY

ONE (1) YEAR FROM DATE OF PURCHASE

WARRANTY TERMS

We warrant that our merchandise are free from manufacturing defects (workmanship and/or material) and will either give credit or replace defective parts for a period of up to one (1) year from the date of purchase in accordance with the conditions set forth below.

ADDITIONAL CONDITIONS

The following examples are not manufacturer's defects:

- Colors may vary slightly from the photo because of photography and printing tolerances.
- Foam will soften slightly.
- Sizes are stated in U.S. standard measurements while the actual sizes are manufactured using the metric system. Therefore the sizes may vary slightly.
- There are no exchanges or refunds on any pillows or toppers sold.
- No returns for buyer's remorse.
- * No returns - other than stated above - will be accepted