



SPEC SHEET

KoolMore 45 in. 6-Pan Countertop Ice Cream Display Freezer with Glass Top in Stainless-Steel

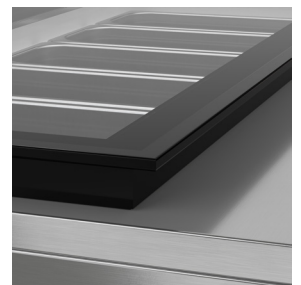
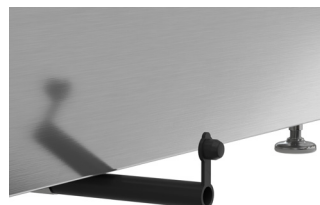
Model: KM-CGD-6P45

FEATURES

- Stainless Steel and Double-Tempered Glass Construction.
- Static Cooling for Optimal Temperature Control: Maintains a temperature range of 7.6°F to 10.4°F, ideal for preserving ice cream texture and quality.
- Digital Temperature Control for Convenience.
- Flat Glass Display Cover for Visibility and Protection: Enhances hygiene and visibility of products.
- Soft-Closing Cover for Durability: Prevents damage from slamming, extends unit and product life.
- Six ½ GN Pans for Serving Variety: Allows display and serving of multiple ice cream flavors.
- Stable Countertop Placement: Adjustable plastic feet for secure and flexible countertop setup.
- Easy Setup with Plug-and-Play Installation: Standard NEMA 5-15P plug, 94.5-inch cord for quick installation.
- ETL Certified and 1 Year Manufacturer's Warranty.



CLOSE UP IMAGES



TECHNICAL SPECS

Dimensions

Length	45.25
Width	25.6
Height	11.8
Interior Depth	13.98
Interior Width	39.72
Interior Height	7.68
Power Cord Length	94.5

Capacity

Weight Lbs	98
Gross Cubic Feet	3.53
Net Cubic Feet	1.06
Pan Capacity	6 1/2 GN Size

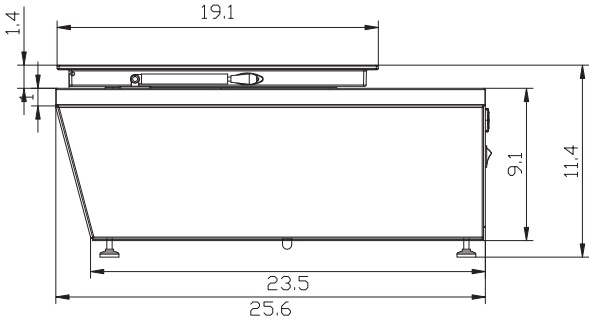
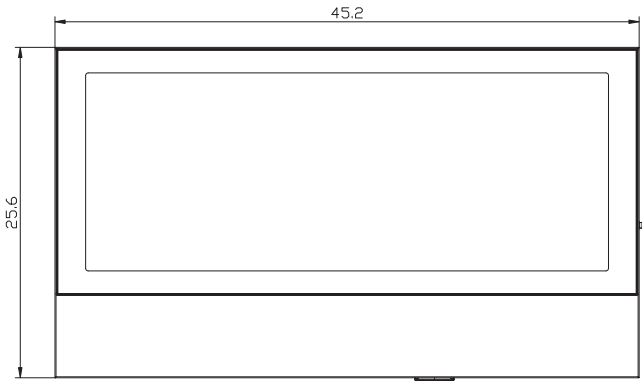
Features & Materials

Door Style	Vertical Swing
Number of Doors	1
Defrost Type	Automatic
Refrigerant Type	R-290
Control Type	Digital
Ambient Temperature Range	60-90 F
Temperature Range	7.6-10.4 F
Glass Type	Double-tempered
Color Finish	Stainless-Steel and Black
Interior Color	White
Exterior Material	Stainless-Steel and Glass
Interior Material	Plastic Liner
Interior Lights	No

Electric & Certifications

Amps	2.1
Hertz	60
Phase	1
Plug Type	NEMA 5-15P
Voltage	120
Wattage	150
Horsepower	0.25
Certifications	ETL Listed for Safety and Sanitation

Plan View



CERTIFICATIONS



706 Eastern Parkway STE 1G, Brooklyn NY 11213
718-576-6342
info@koolmore.com