

ASSEMBLY INSTRUCTIONS

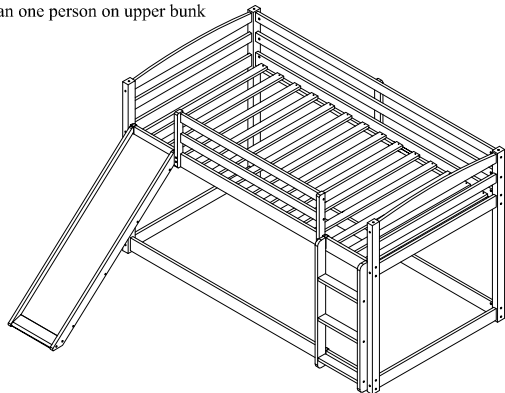
LOFT BED

SAFETY WARNINGS

1. This bed is designed for use only mattress(es) meeting the following specifications on the upper bunk, and lower bunk:

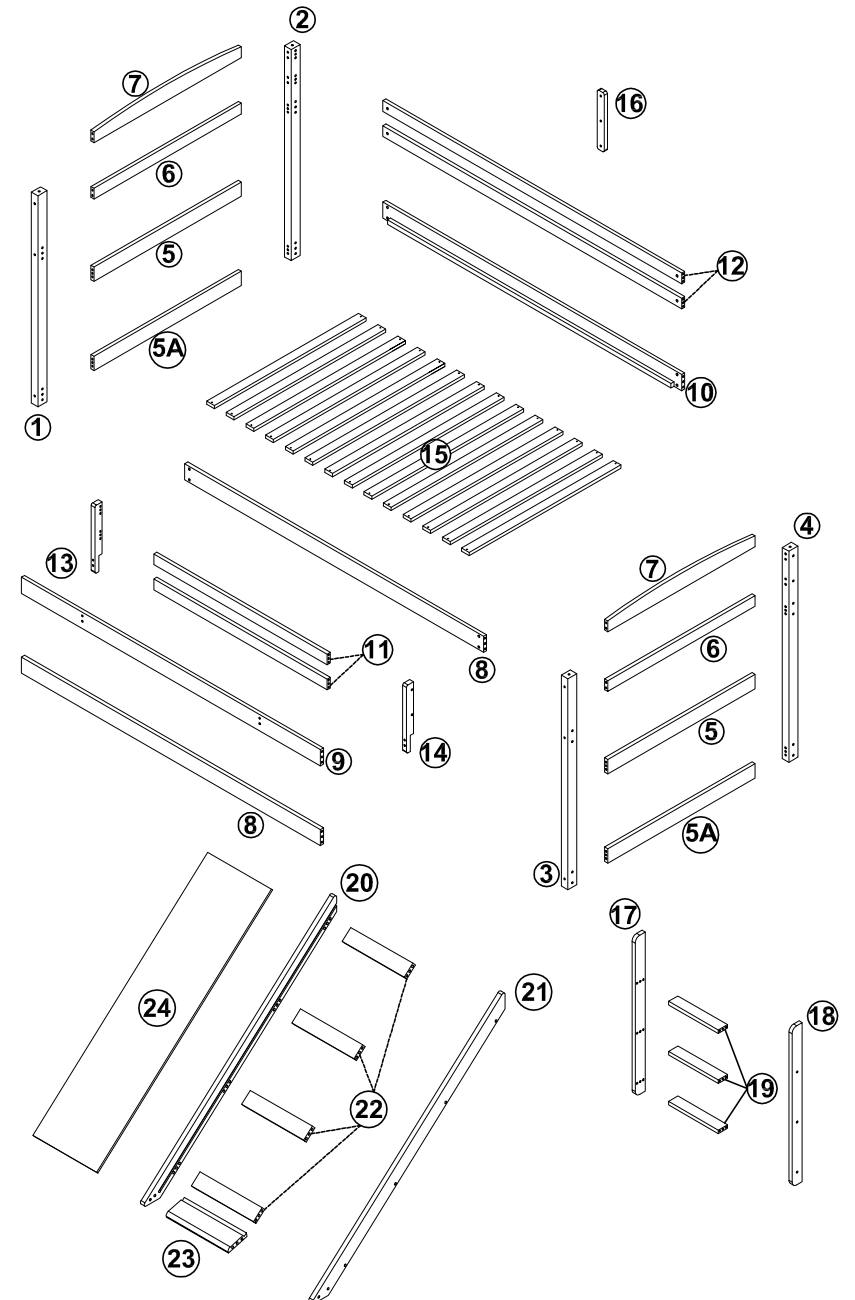
Bed Type	Length	Width	Thickness
Twin Standard	74" - 75"	38 1/2"	8" max
Full Standard	74" - 75"	53 1/2"	8" max

2. Replacement parts, including additional guardrails, may be obtained
3. Follow the information on the warnings appearing on the upper bunk bed end structure and on the carton. Do not remove warning label from bed.
4. Always use the recommended size mattresses or mattress supports, or both, to help prevent the likelihood of entrapment or falls.
5. Surface of the mattress must be at least 5 in. (127 mm) below the upper edge of guardrails.
6. Do not allow children under 6 years of age to use the upper bunk.
7. Periodically check and ensure that the guardrail, ladder, and other components are in their proper position, free from damage, and that all connectors are tight.
8. Do not allow horseplay on or under the bed and prohibit jumping on the bed
9. Always use the ladder for entering and leaving the upper bunk.
10. Do not use substitute parts. Contact the manufacturer or dealer for replacement parts.
11. Use of a night light may provided added safety precaution for a child using the upper bunk.
12. Always use guardrails on both long sides of the upper bunk. If the bunk bed will be placed next to the wall, the guardrail that runs the full length of the bed should be placed against the wall to prevent entrapment between the bed and wall.
13. The use of water or sleep flotation mattresses is prohibited.
14. STRANGULATION HAZARD – Never attach or hang items to any part of the bunk bed that are not designed for use with the bed; for example, but not limited to, hook, belts and jump ropes.
15. Keep these instructions for future reference
16. We recommend assembling your bunk bed on a shipping carton to protect your floor or carpet
17. Be certain all staples are out of the box before beginning assembly on the shipping carton
18. Prohibit more than one person on upper bunk



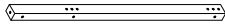
















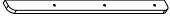




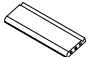


1

Detail View










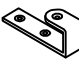






2

Part List

1  Front left leg - 1pc	2  Back left leg - 1pc	3  Front right leg - 1pc
4  Back right leg - 1pc	5  HB-FB horizontal (lower) - 2pcs	6  HB-FB horizontal (middle) - 2pcs
7  HB-FB horizontal (upper) - 2pcs	8  Horizontal (lower) - 2pcs	9  Front side rail - 1pc
10  Back side rail - 1pc	11  Front horizontal - 2pcs	12  Back horizontal - 2pcs
13  Front vertical (left) - 1pc	14  Front vertical (right) - 1pc	15  Slat - 14pcs
16  Back vertical - 1pc	17  Left stairs vertical - 1pc	18  Right stairs vertical - 1pc
19  Stairs support bar - 3pcs	20  Left slide vertical - 1pc	21  Right slide vertical - 1pc
22  Slide support bar - 4pcs	23  Slide support bar (bottom) - 1pc	24  Slide panel - 1pc
5A  HB-FB horizontal (lower) - 2pcs		

Hardware List



A  Ø10*30mm Wood dowel (74pcs)	B  Ø1/4"*30mm Hex-Head bolt (4pcs)	C  Ø1/4"*65mm Hex-Head bolt (4pcs)
D  Ø1/4"*85mm Hex-Head bolt (20pcs)	E  Ø1/4"*15mm Horizontal-Hole bolt (24pcs)	F  Ø1/4"*15mm Nut (4pcs)
G  Ø6*30mm Hex-Head screw (3pcs)	H  Ø6*50mm Hex-Head screw (18pcs)	I  Ø6*100mm Hex-Head screw (12pcs)
J  Hook (6pcs)	K  #4*20mm Screw (18pcs)	L  #4*30mm Screw (28pcs)
M  K4mm Allen key (2pcs)	N  90*17*2mm Foam stick (6pcs)	

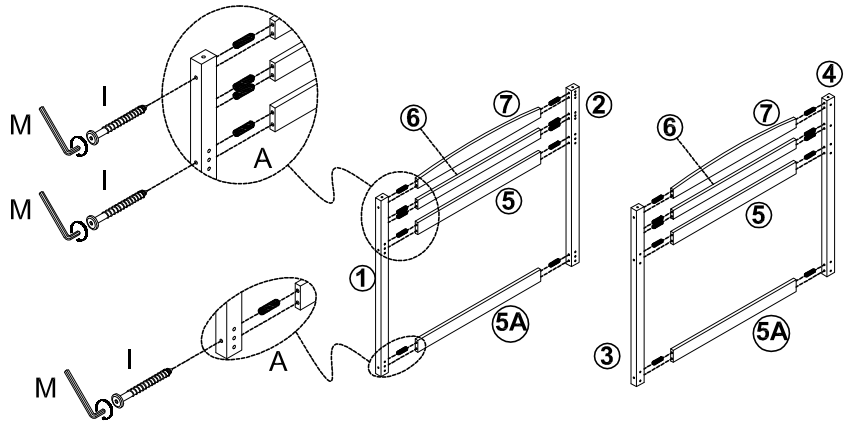
ASSEMBLY TOOLS REQUIRED (NOT INCLUDED)



PLEASE BE CAREFUL DO NOT DAMAGE THE HOLE POSITION WHEN YOU USE POWER TOOLS !

STEP 1:




A	I
	
20PCS	12PCS

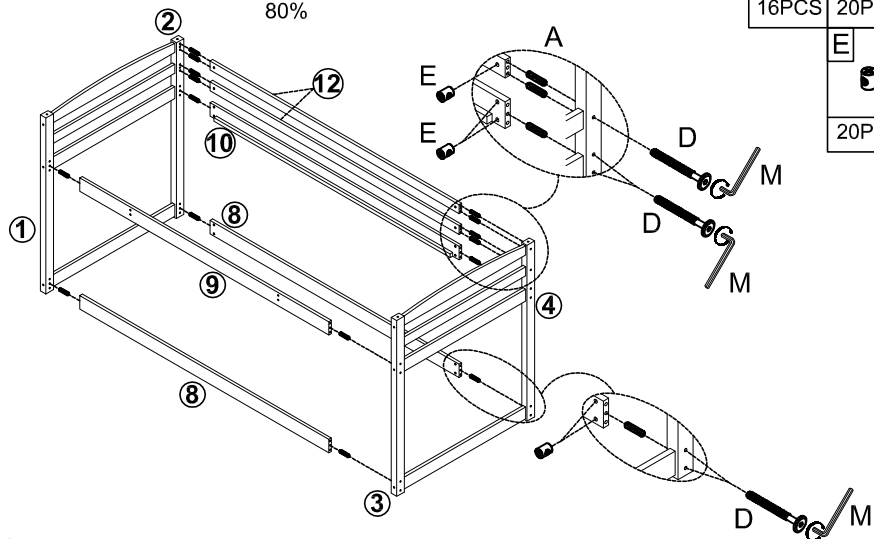


NOTE: In this step, DO NOT tighten any bolt until you connect all part together

STEP 2:


ATTENTION: PLEASE DON'T TIGHTEN ALL BOLTS IN THIS STEP, JUST TIGHTEN 80%

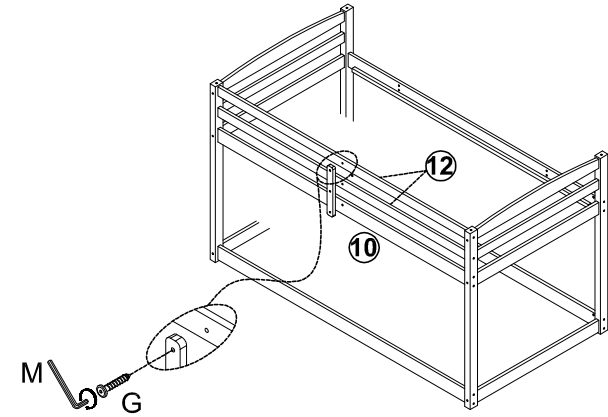
A	D
	
16PCS	20PCS
	E
	
	20PCS



NOTE: In this step, DO NOT tighten any bolt until you connect all part together




STEP 3:

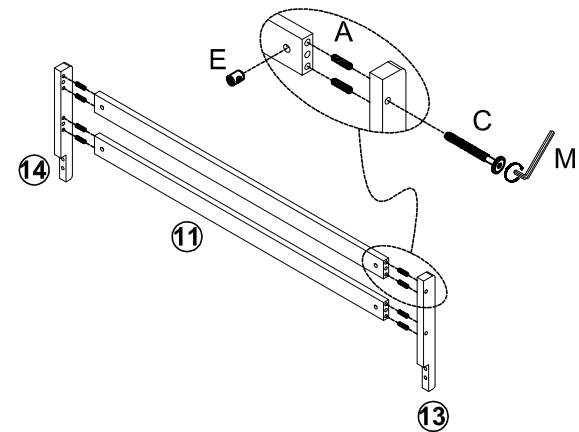
G

3PCS



NOTE: In this step, DO NOT tighten any bolt until you connect all part together


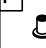
STEP 4:

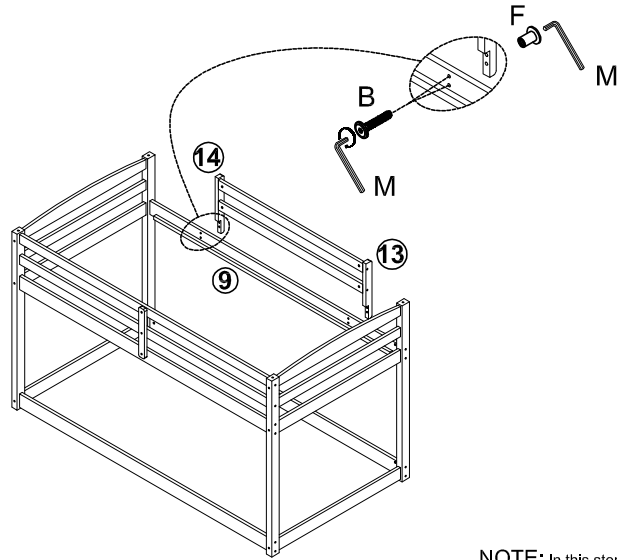
A	C
	
8PCS	4PCS
	E
	
	4PCS



NOTE: In this step, DO NOT tighten any bolt until you connect all part together



STEP 5:

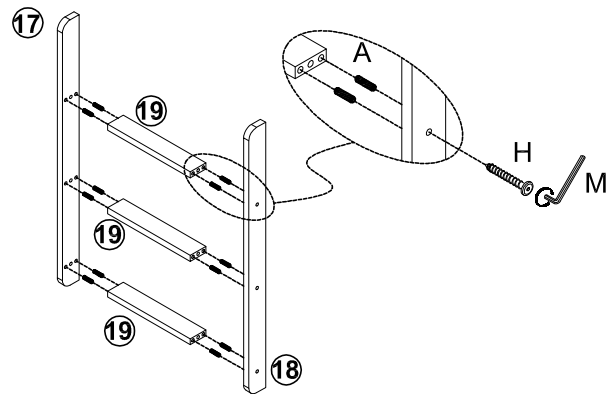
B	F
	
4PCS	4PCS



NOTE: In this step, DO NOT tighten any bolt until you connect all part together

STEP 6:




A	H
	
12PCS	6PCS

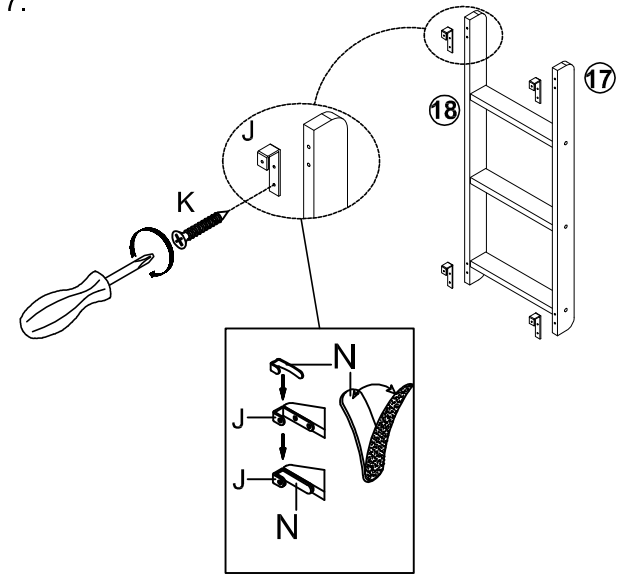


NOTE: In this step, DO NOT tighten any bolt until you connect all part together

7

STEP 7:

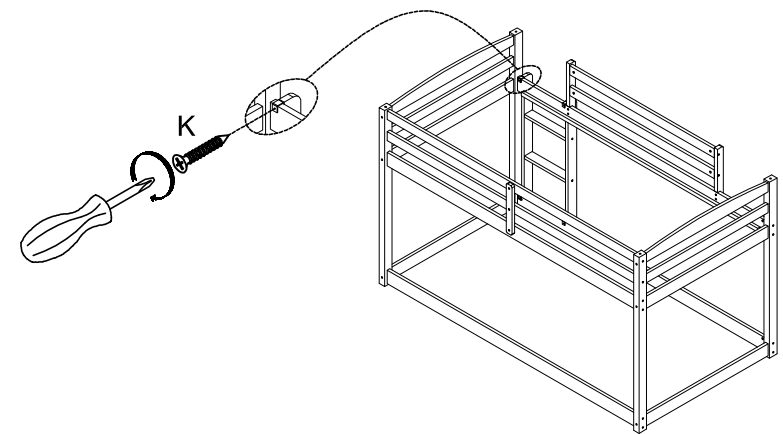
J	K
	
4PCS	8PCS
N	
	
4PCS	



STEP 8:

K

4PCS

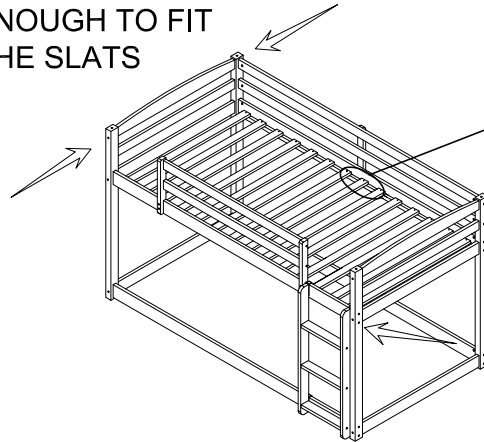
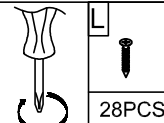


8

STEP 9:

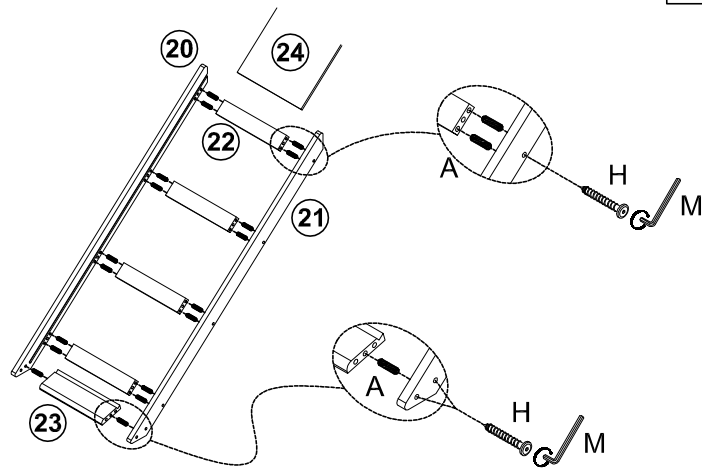
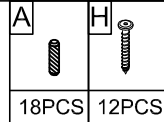
STEP 1: PULL SIDE
RAIL CLOSE
TOGETHER
ENOUGH TO FIT
THE SLATS

STEP 2: SCREW
ALL SLATS



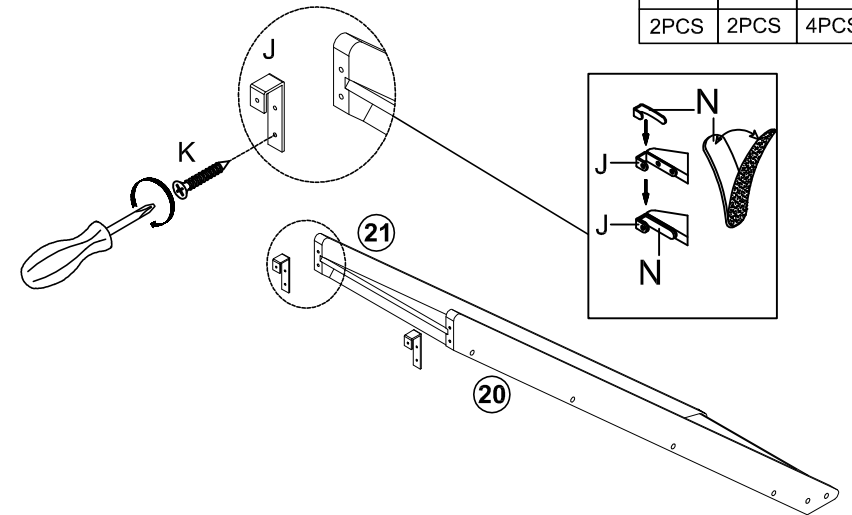
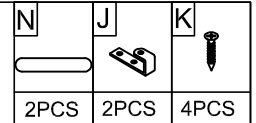
STEP 3: TIGHTEN
100% ALL
HEXAGON BOLTS

STEP 10:

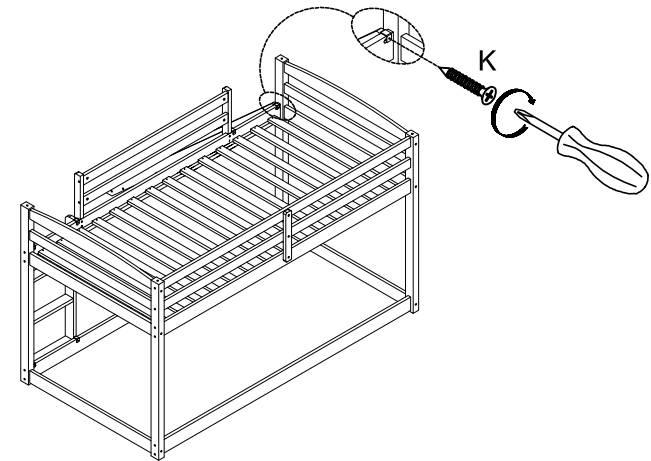


9

STEP 11:



STEP 12:



10

COMPLETED

