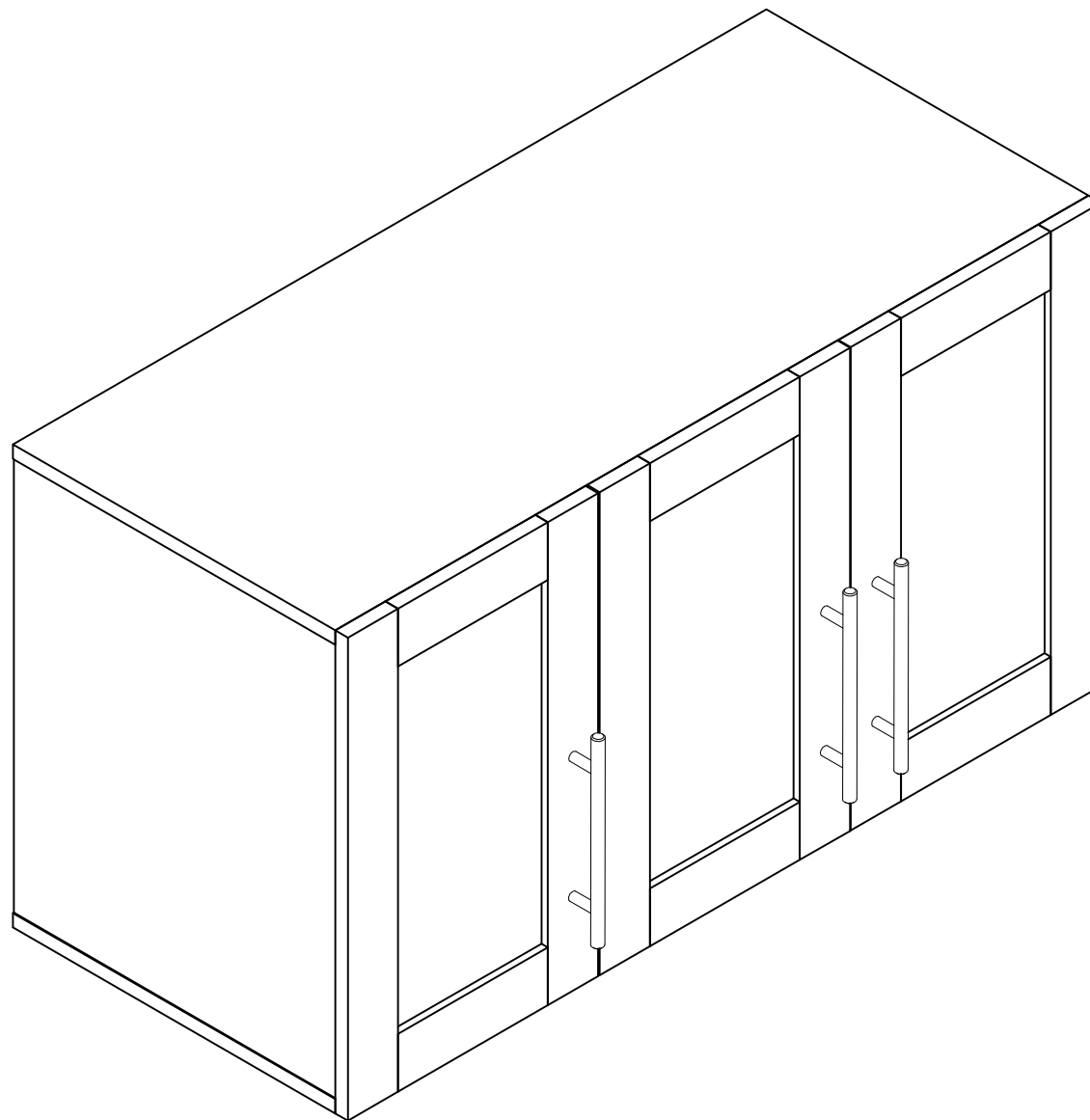
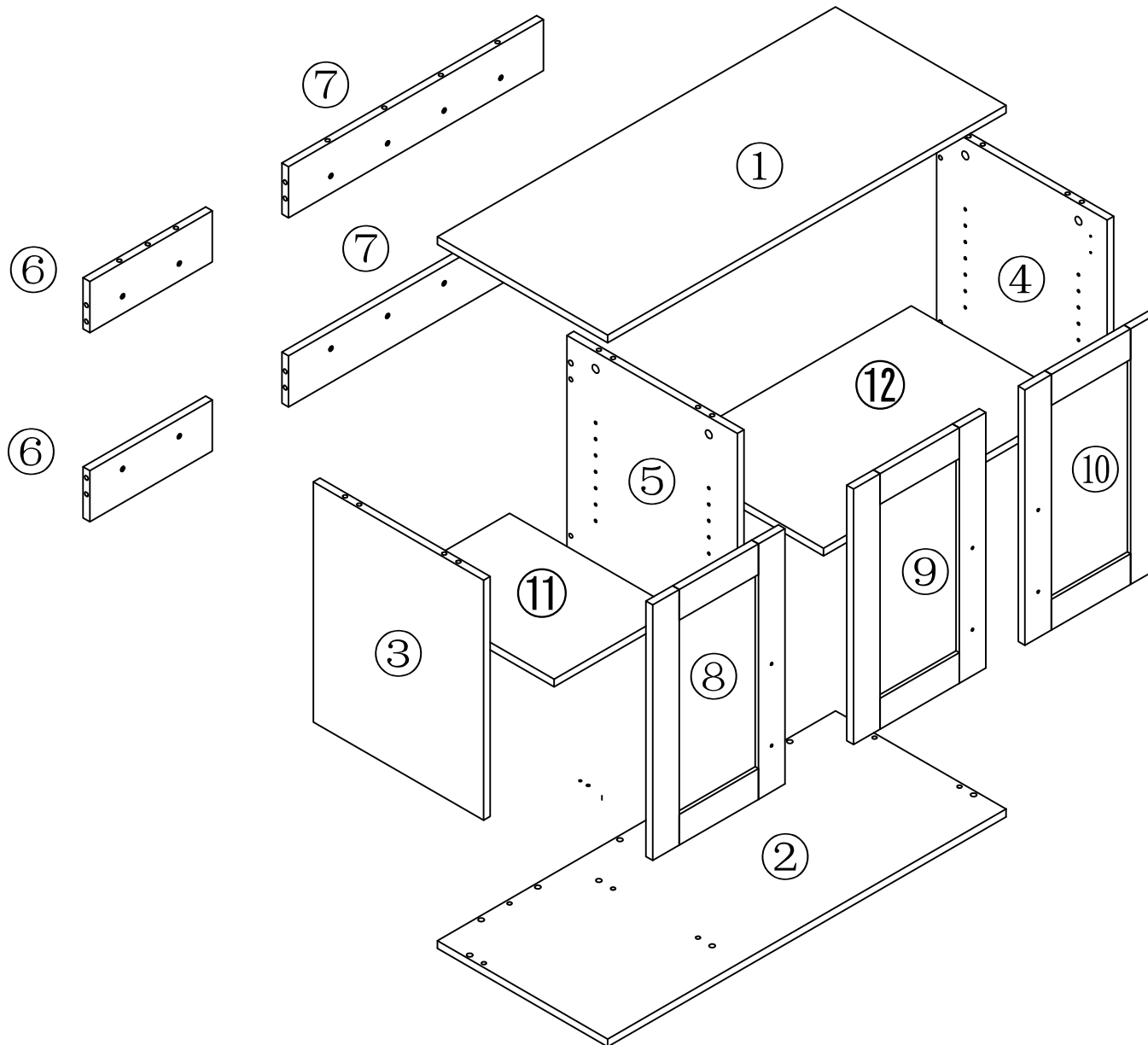
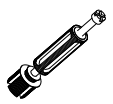

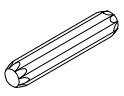

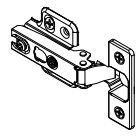
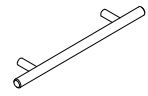

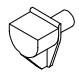

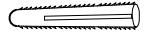
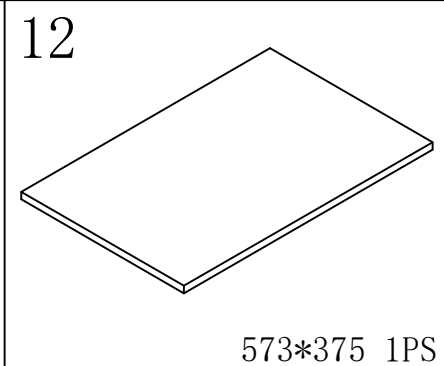
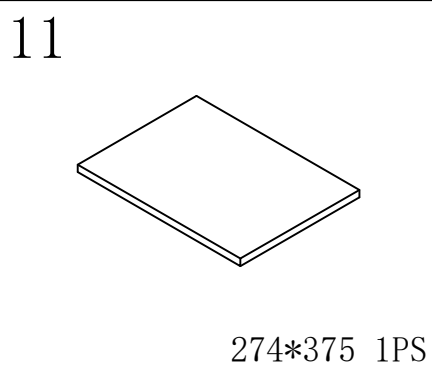
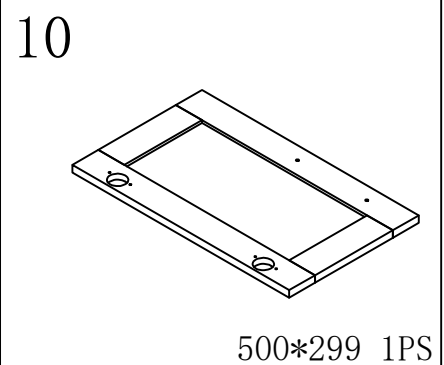
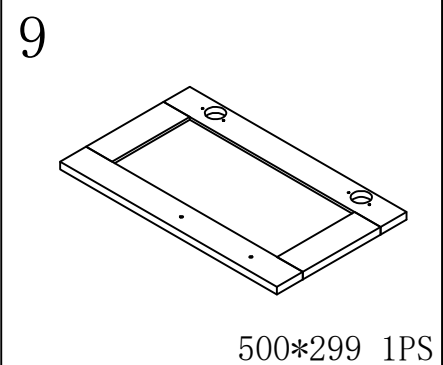
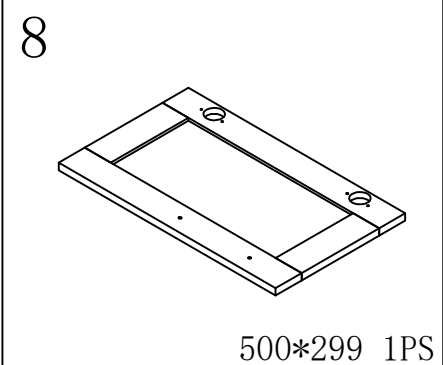
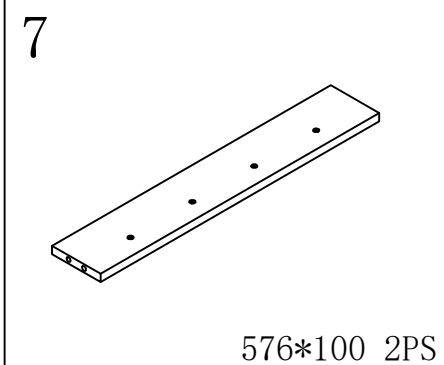
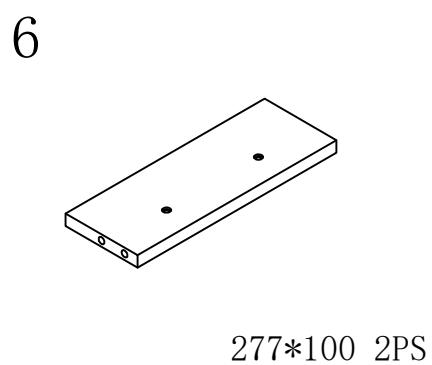
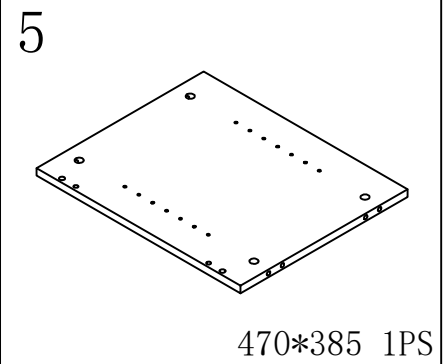
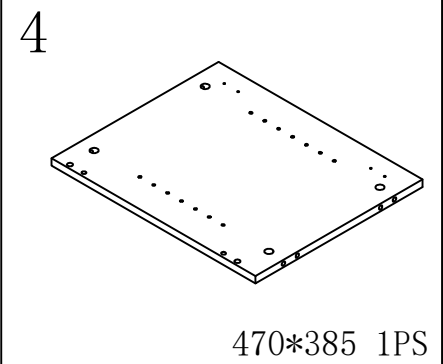
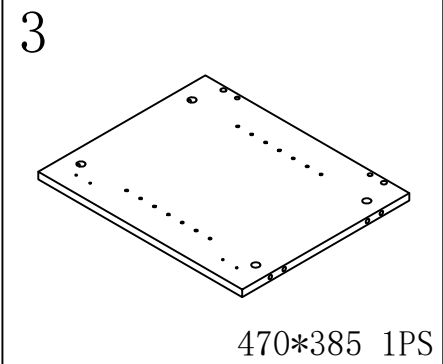
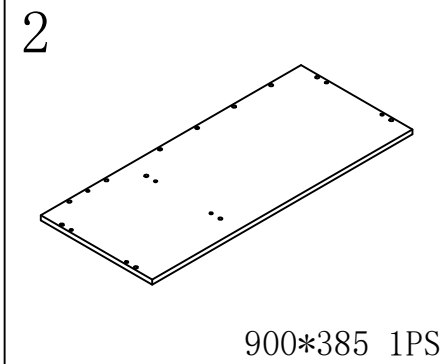
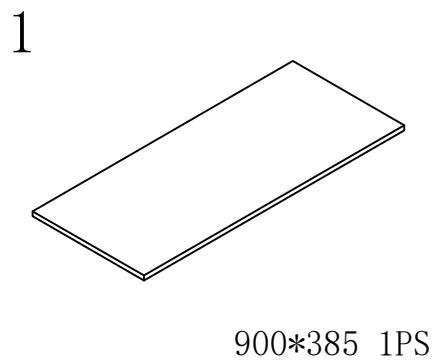


# Installation & Assembly





|  |   |   |   |   |  |  |  |   |   |
|--|---|---|---|---|--|--|--|---|---|
| <p>A</p>  <p>32PCS</p> | <p>B</p>  <p>32PCS</p> | <p>C</p> <p>8*40</p>  <p>22PCS</p> | <p>D</p> <p>3.5*14</p>  <p>24PCS</p> | <p>E</p>  <p>6PCS</p> | <p>F</p>  <p>3PCS</p> | <p>G</p> <p>4*18</p>  <p>6PCS</p> | <p>H</p>  <p>8PCS</p> | <p>I</p> <p>4*50</p>  <p>12PCS</p> | <p>J</p> <p>8*40</p>  <p>12PCS</p> |
|--|---|---|---|---|--|--|--|---|---|

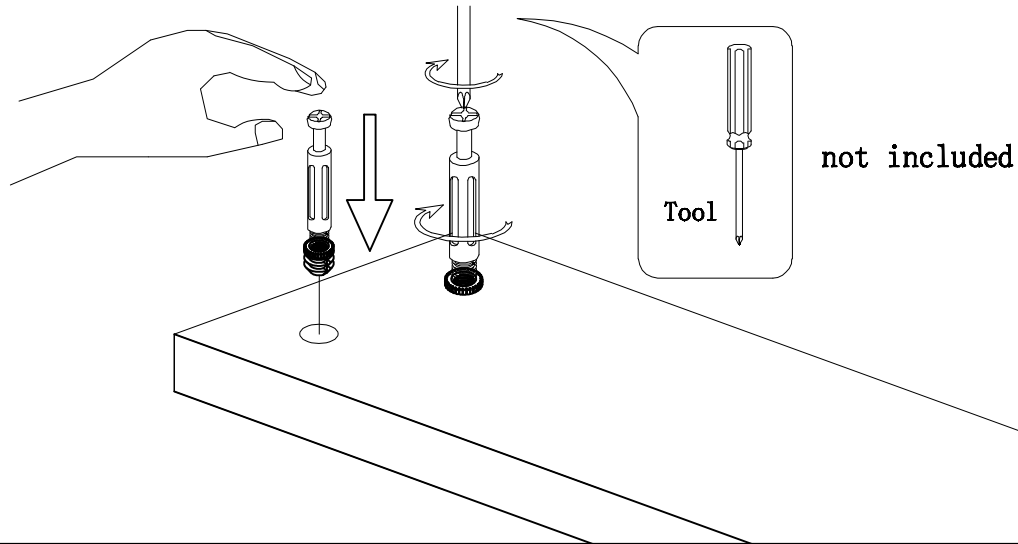




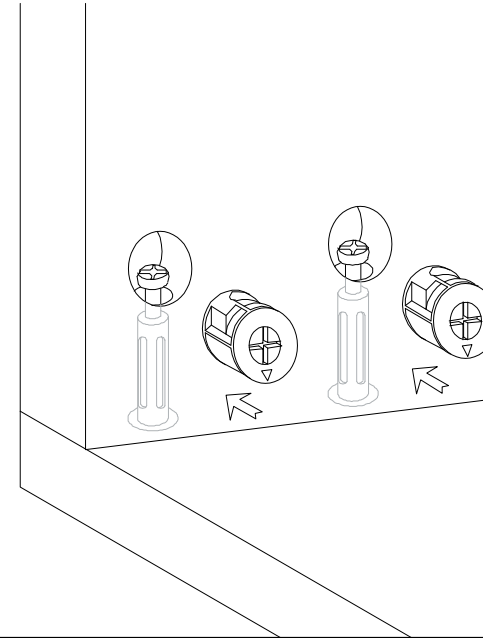
# Hardware installation demonstration

NOTE: Please make sure "A" hardware tightened and can't be pulled out!

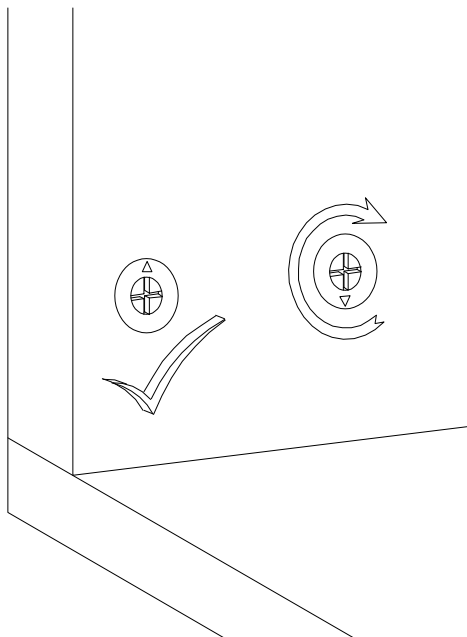
I



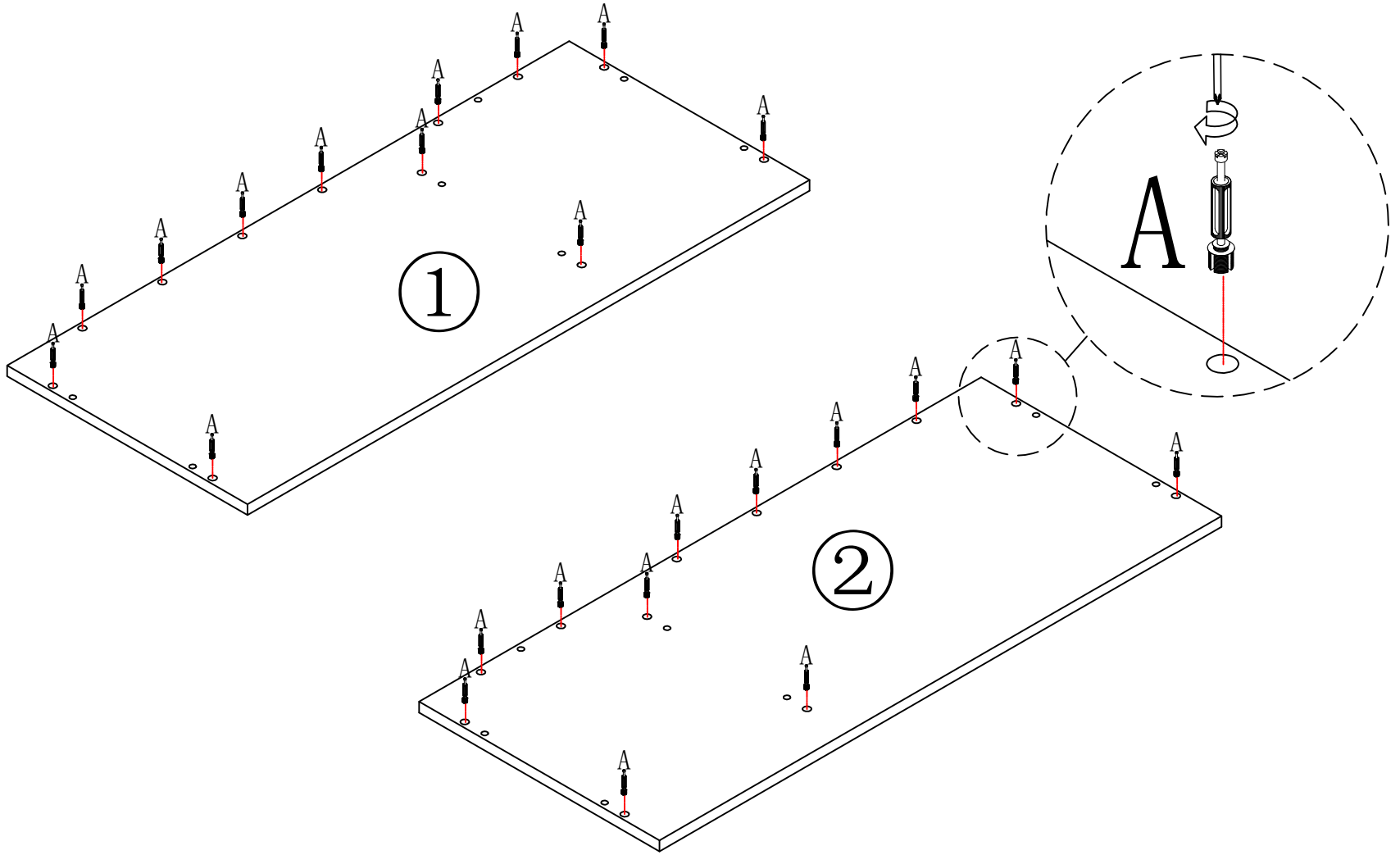
II



III



1

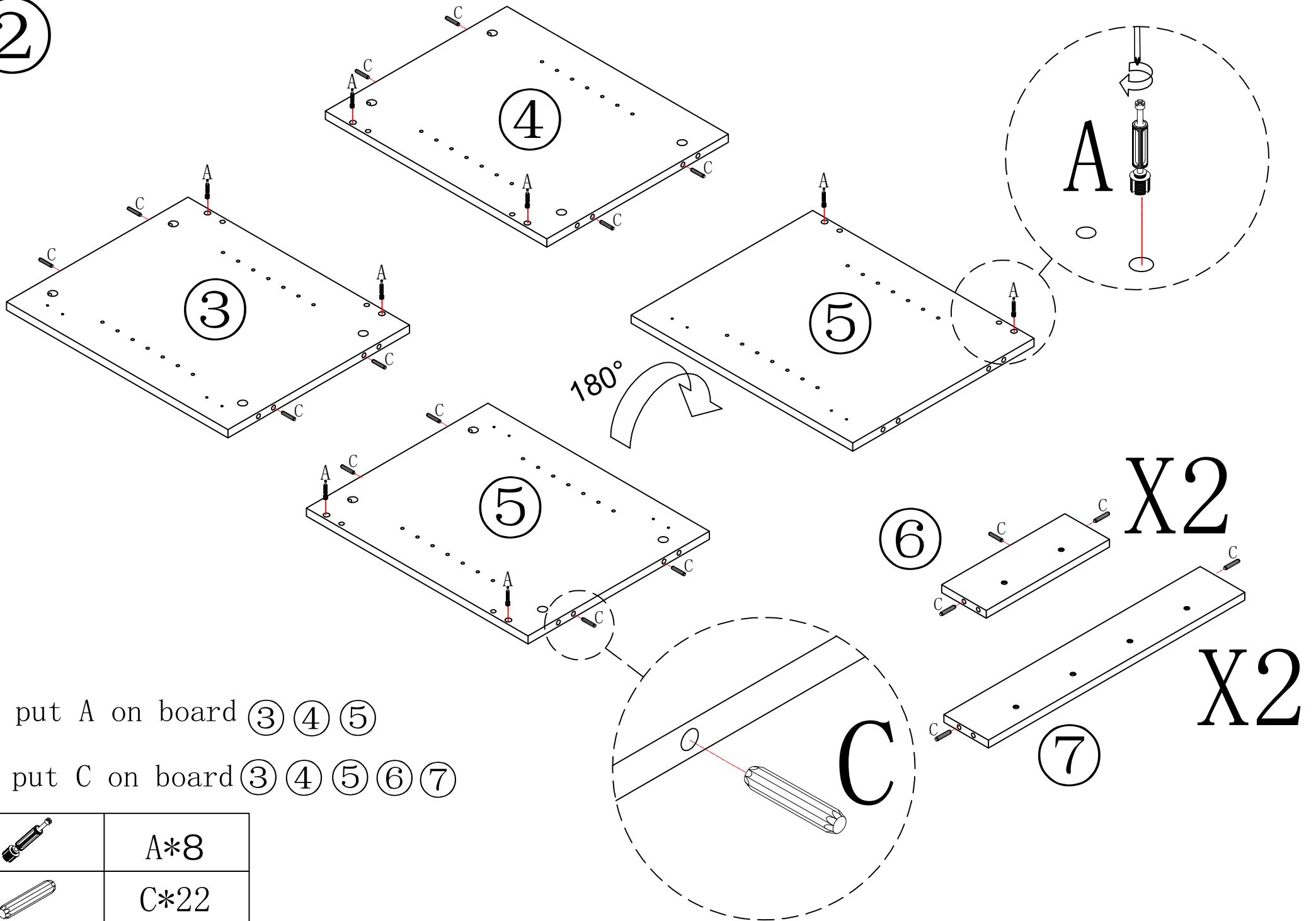



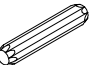
put A on board 1 2



A\*24

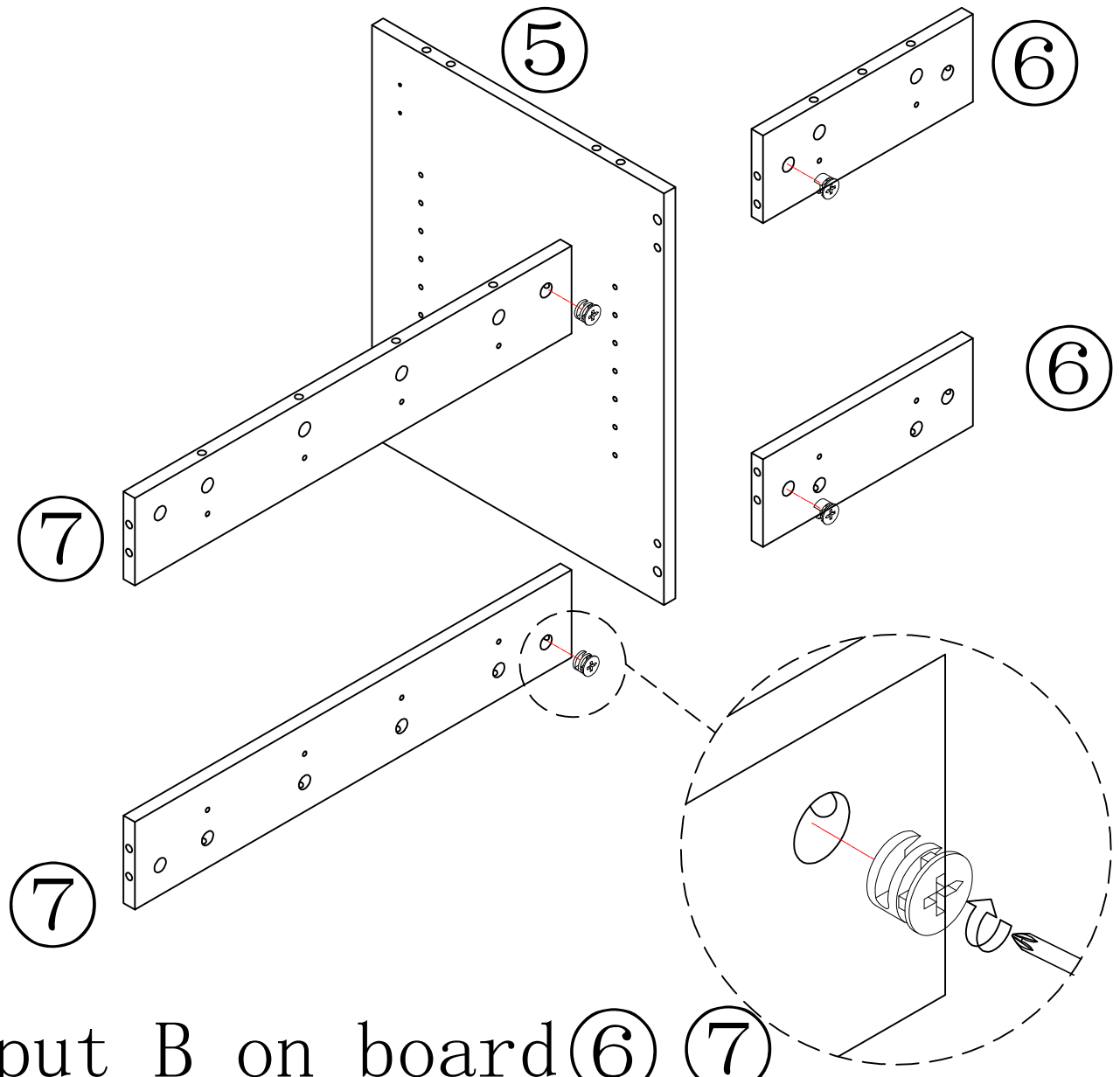
2



|  |      |
|--|------|
|  | A*8  |
|  | C*22 |

3

Make sure the arrow on the screw align to the hole on the side

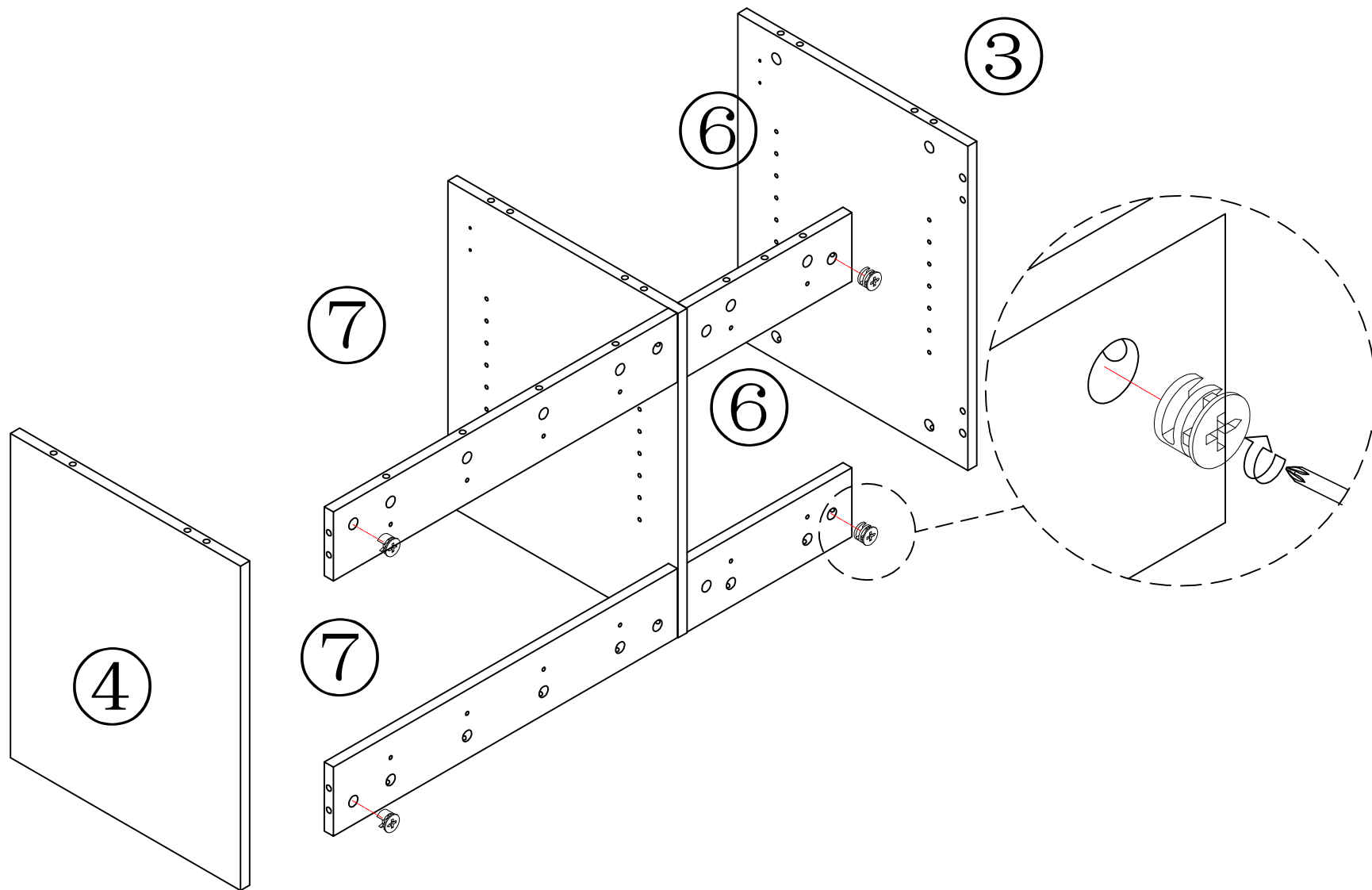


put B on board (6) (7)



B\*4

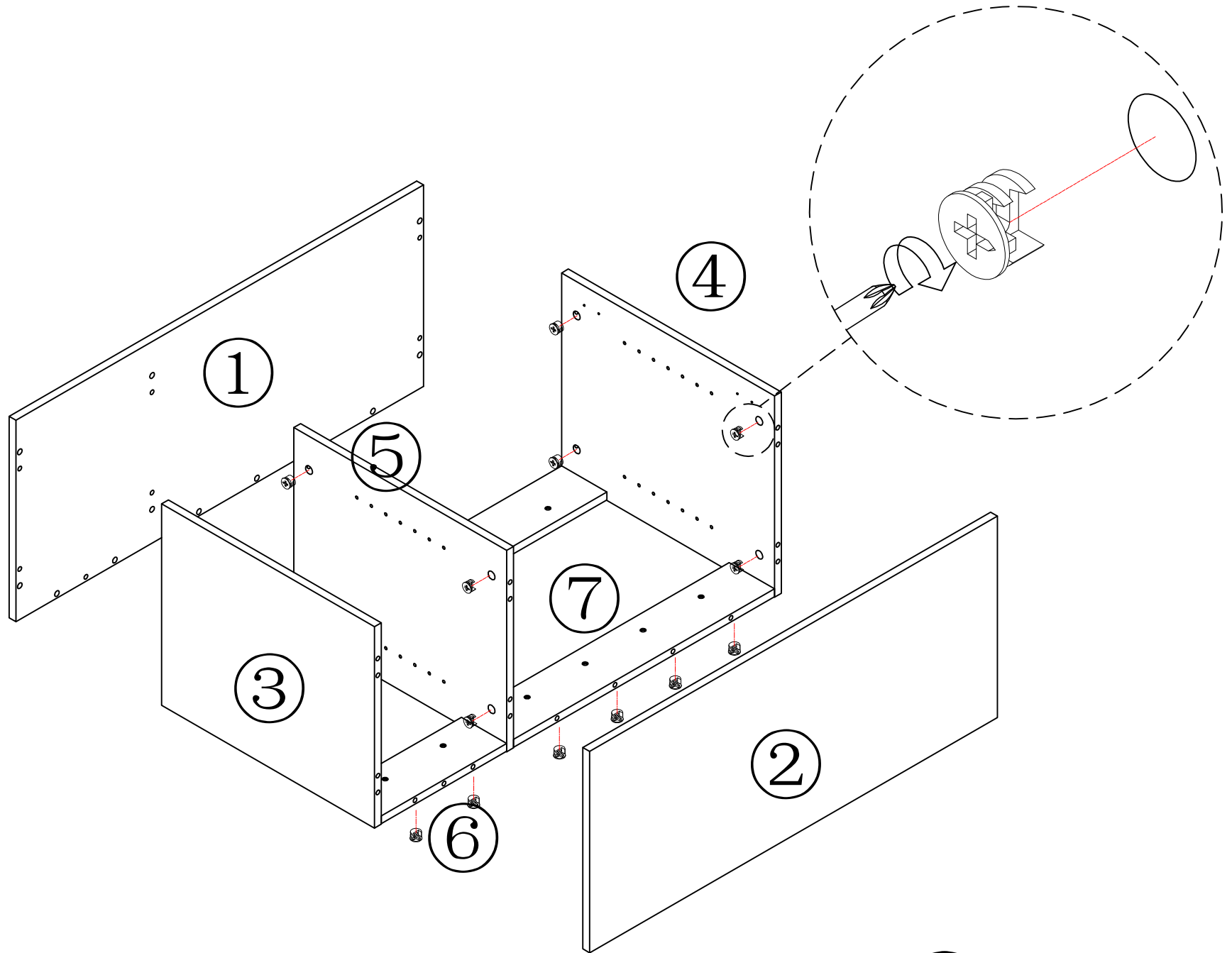
4



B\*4

put B on board 6 7

5

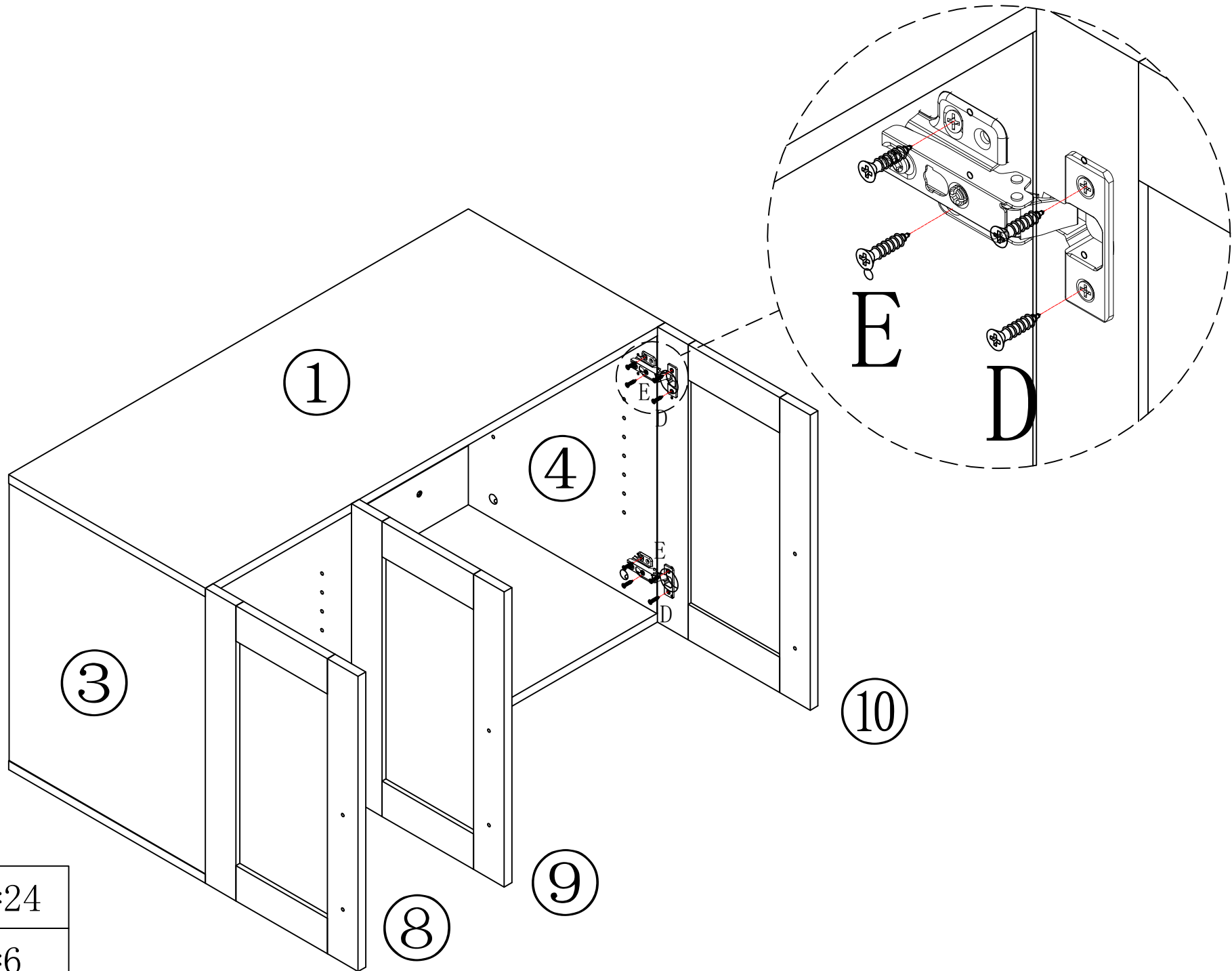


put B on board ③ ④ ⑤ ⑥ ⑦



B\*24

6

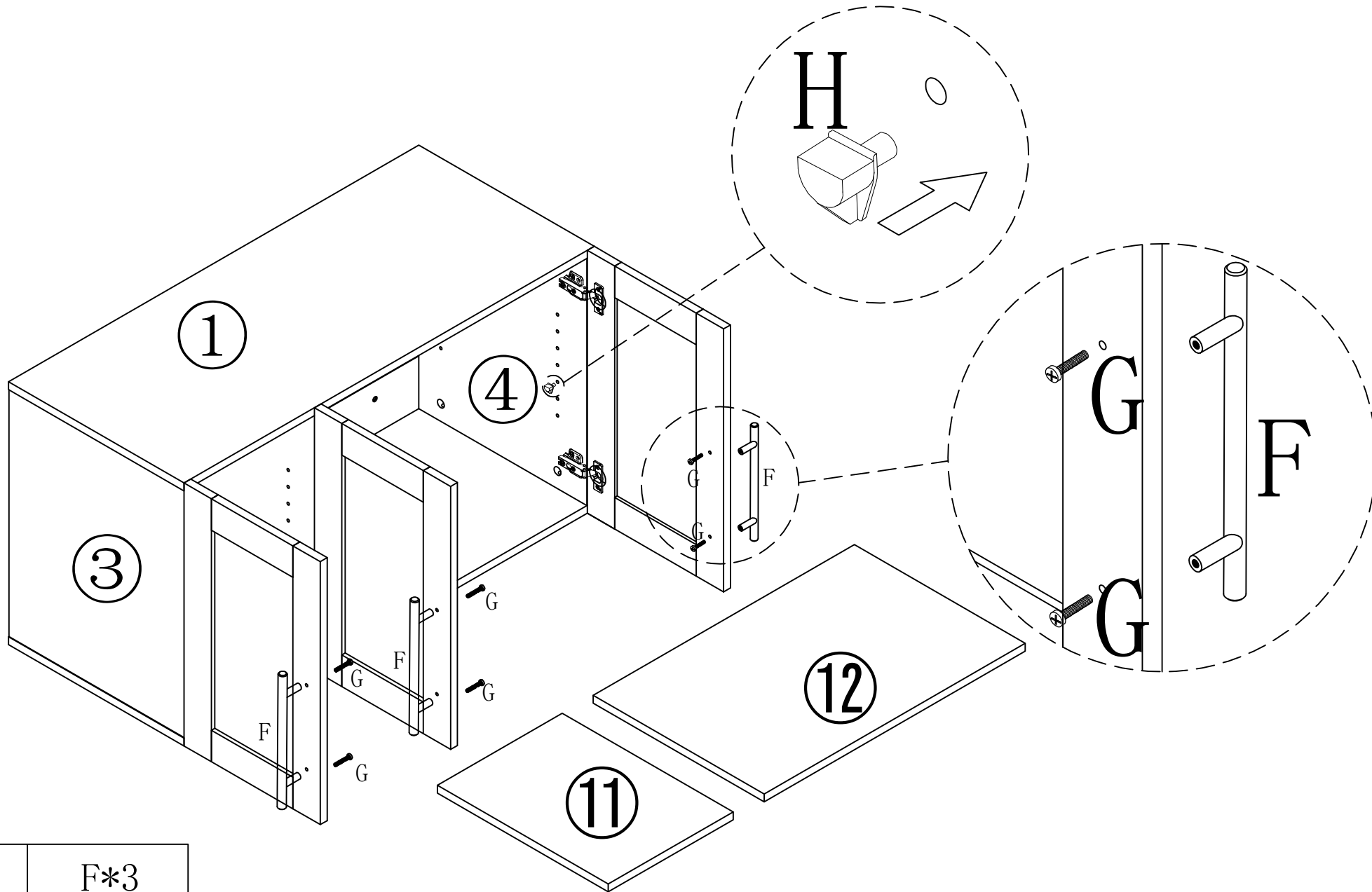


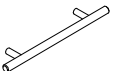


D\*24



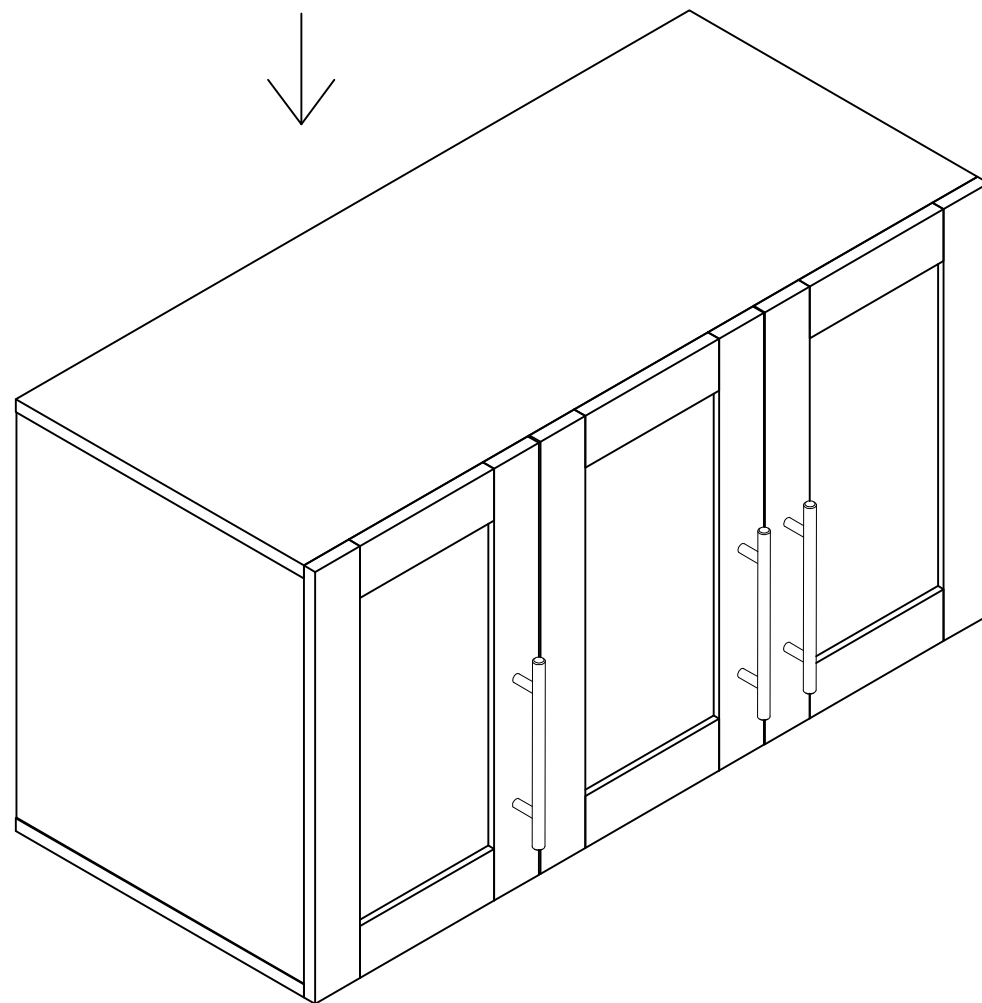
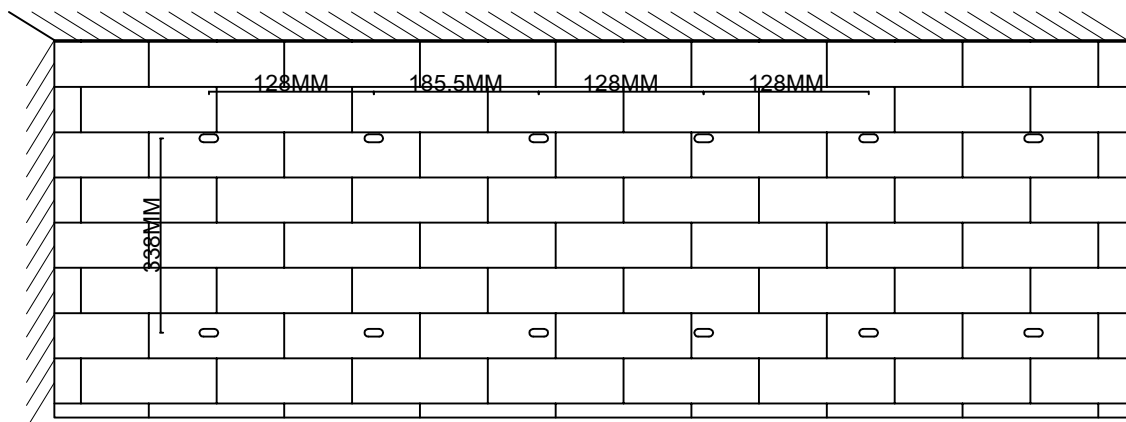
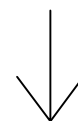
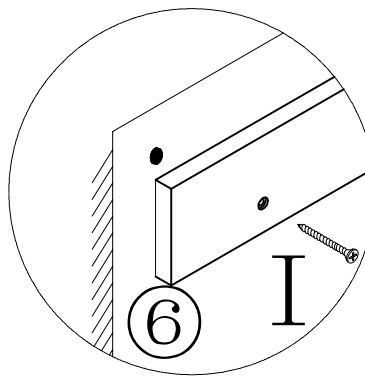
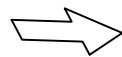
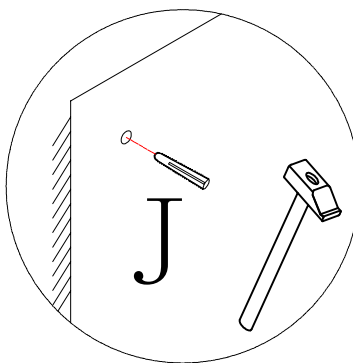
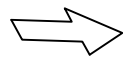
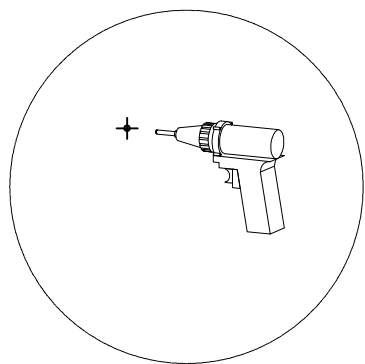
E\*6

7

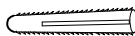


|   |     |
|---|-----|
|   | F*3 |
|   | G*6 |
|  | H*8 |

8

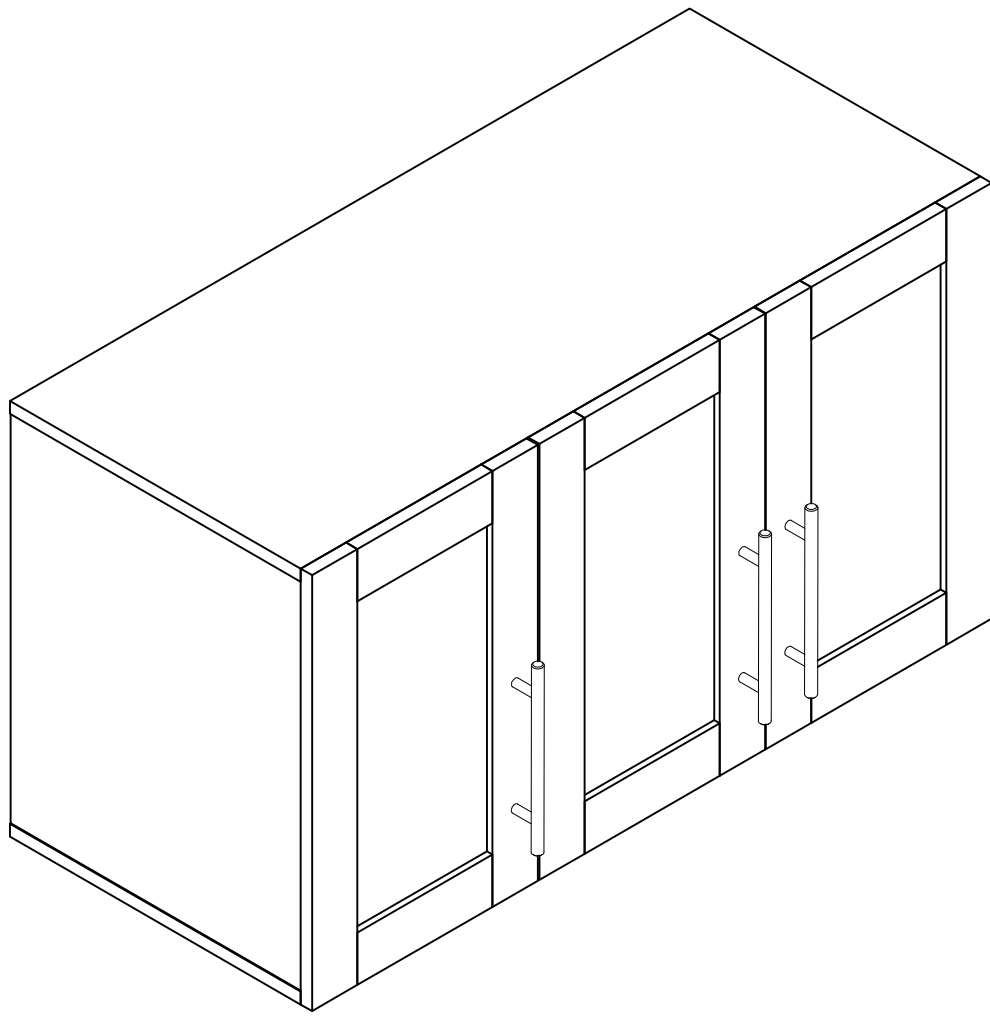


I\*12



J\*12

9



END